



US00D480083S

(12) **United States Design Patent**
Borsboom et al.

(10) **Patent No.:** **US D480,083 S**

(45) **Date of Patent:** **** Sep. 30, 2003**

(54) **LIQUID CRYSTAL DISPLAY**

(75) Inventors: **Antonius M. Borsboom**, Singapore (SG); **Edwin Lord Beck**, Singapore (SG); **Tang Zheng**, Singapore (SG); **Lawrence Leong Kok Chian**, Singapore (SG); **Daniel Toh Tiong Hai**, Singapore (SG); **Brian Ling Liong Ein**, Singapore (SG); **Young Kam Wayne**, Singapore (SG); **Goh Kok Keong**, Singapore (SG); **Yann Mabile**, Singapore (SG); **Wang Qi**, Singapore (SG); **Shi-Kuan Chen**, Taipei (TW); **Markus Wierzoch**, Taipei (TW); **Jason Ching Hsin Yang**, Taipei (TW)

(73) Assignee: **Hannstar Display Corp.**, Taipei (TW)

(**) Term: **14 Years**

(21) Appl. No.: **29/163,669**

(22) Filed: **Jul. 10, 2002**

(30) **Foreign Application Priority Data**

Jun. 20, 2002 (CN) 91303171

(51) **LOC (7) Cl.** **14-02**

(52) **U.S. Cl.** **D14/371; D14/345; D14/375**

(58) **Field of Search** **D14/371-376, D14/125-129, 345, 342, 346, 462, 336, 387, 337; 248/917-924; 341/12; 345/104, 156, 168, 173; 348/180, 184, 325, 739; 349/1, 2, 11, 62**

(56) **References Cited**

U.S. PATENT DOCUMENTS

D334,567 S	*	4/1993	Someya et al.	D14/462
D355,170 S	*	2/1995	Mizusugi et al.	D14/336
D367,647 S	*	3/1996	Faggard et al.	D14/387
5,668,570 A	*	9/1997	Ditzik	345/173
D395,039 S	*	6/1998	Murphy et al.	D14/342
D440,542 S	*	4/2001	Hawkins et al.	D14/346
D451,917 S	*	12/2001	Rahemtulla et al.	D14/337

* cited by examiner

Primary Examiner—Freda Nunn

(74) *Attorney, Agent, or Firm*—Thomas, Kayden, Horstemeyer & Risley

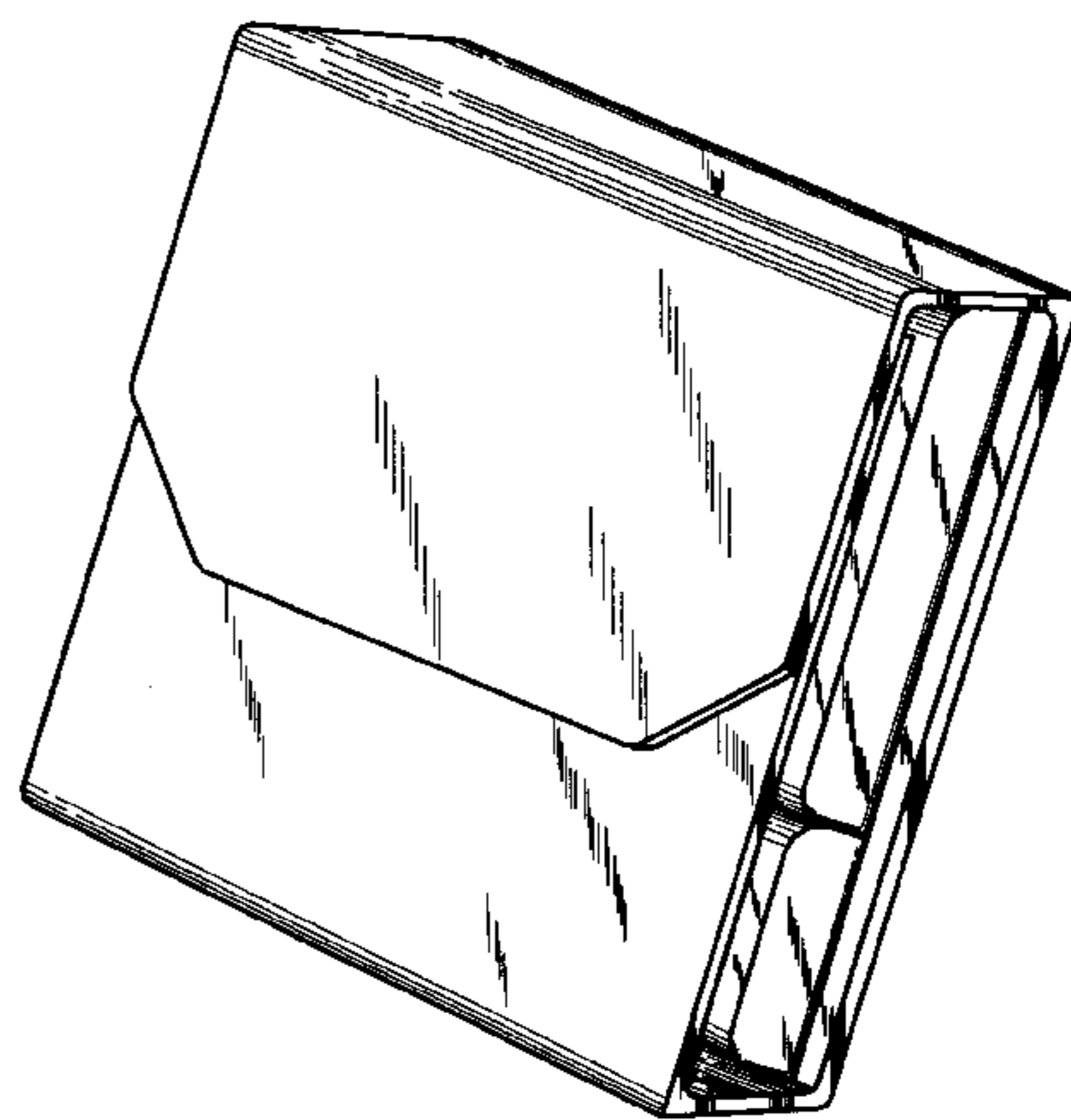
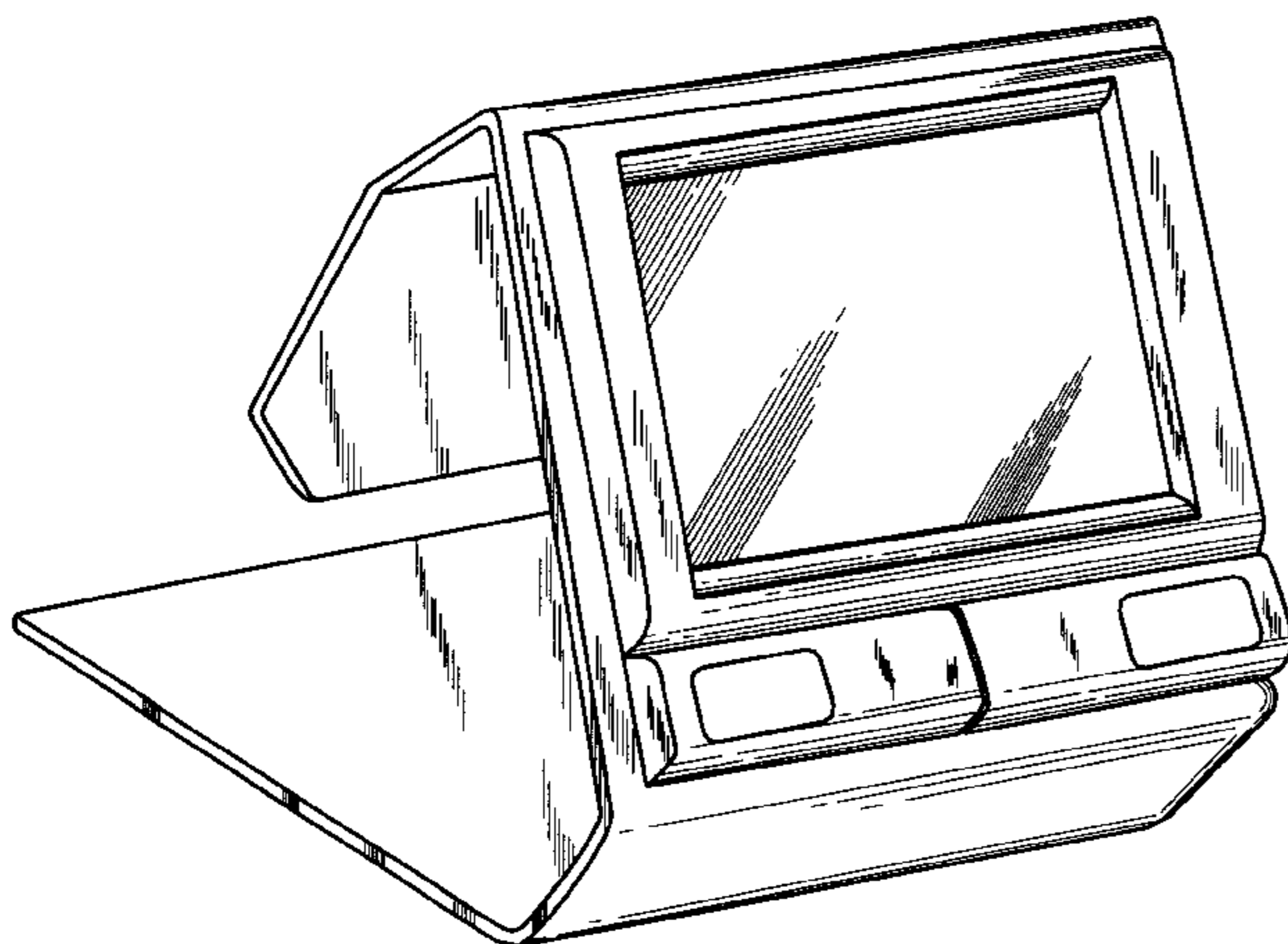
(57) **CLAIM**

The ornamental design for a liquid crystal display, as shown and described.

DESCRIPTION

FIG. 1 is a front perspective view thereof;
FIG. 2 is a right side elevational view thereof;
FIG. 3 is a top plane view thereof;
FIG. 4 is a front elevational view thereof;
FIG. 5 is a bottom plane view thereof;
FIG. 6 is a left side elevational view thereof;
FIG. 7 is a rear elevational view thereof;
FIG. 8 is a front elevational view thereof shown in an alternate position; and,
FIG. 9 is a front perspective view thereof shown in the folded position.

1 Claim, 9 Drawing Sheets



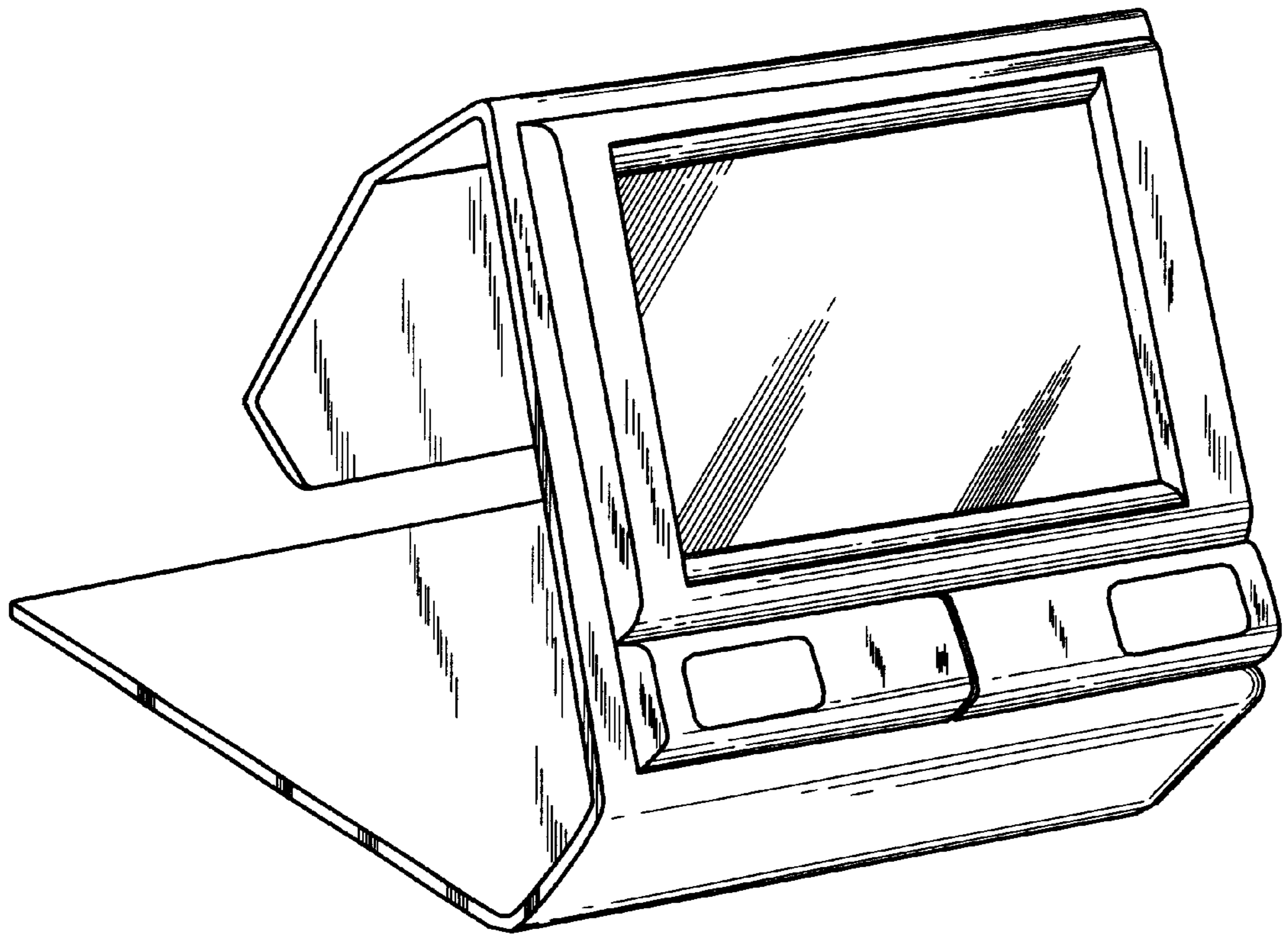


Fig. 1

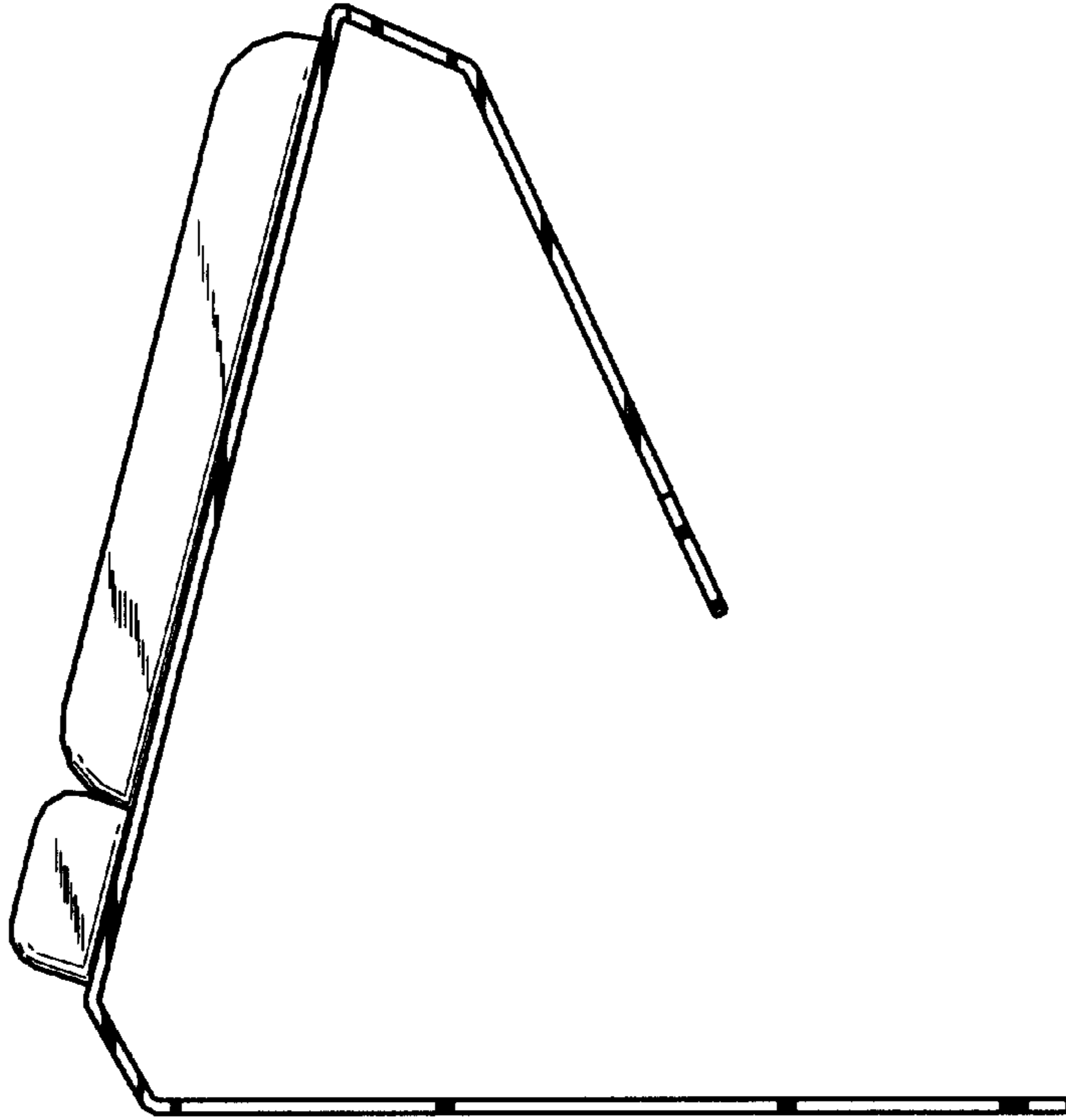


Fig. 2

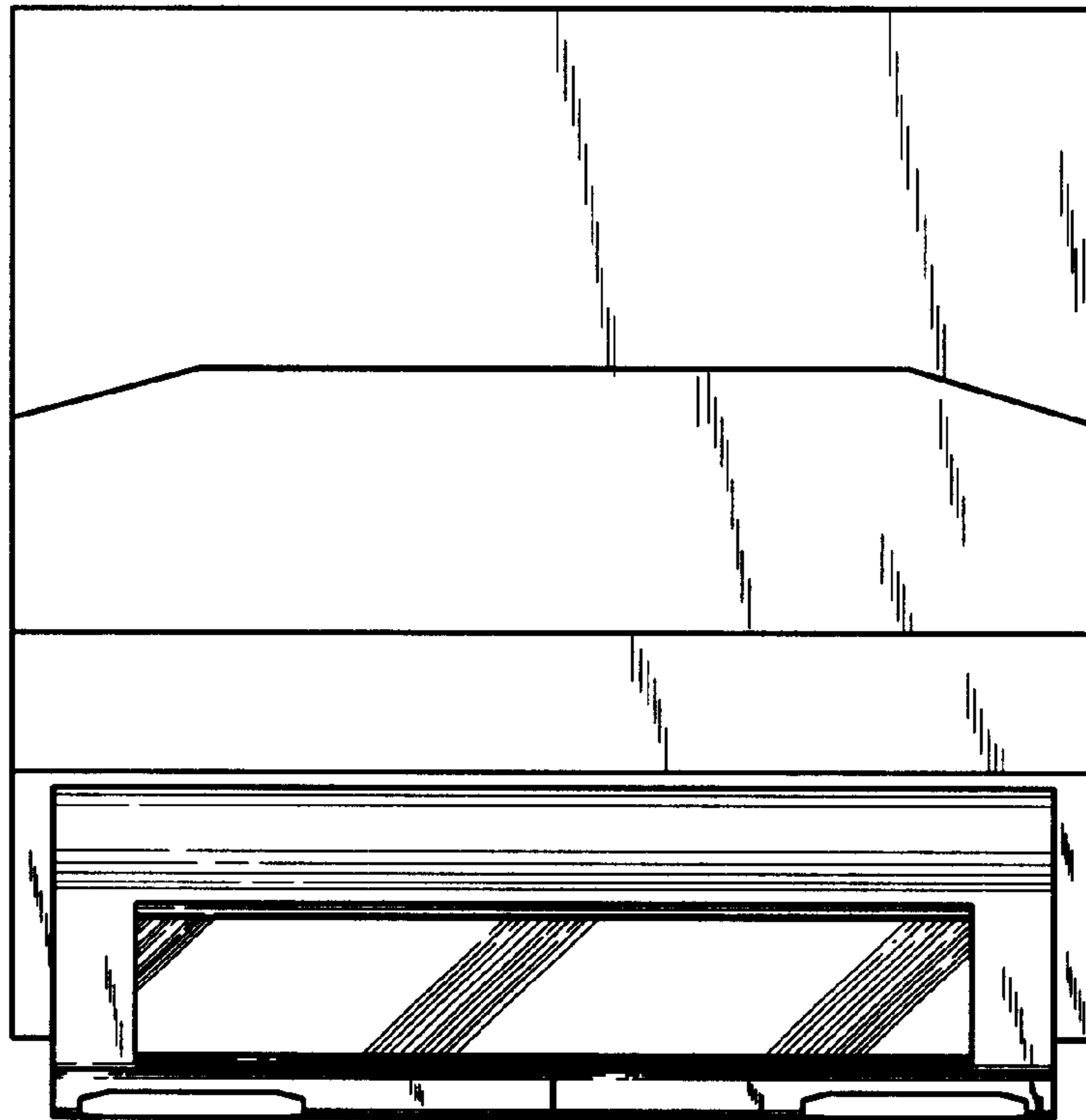


Fig. 3

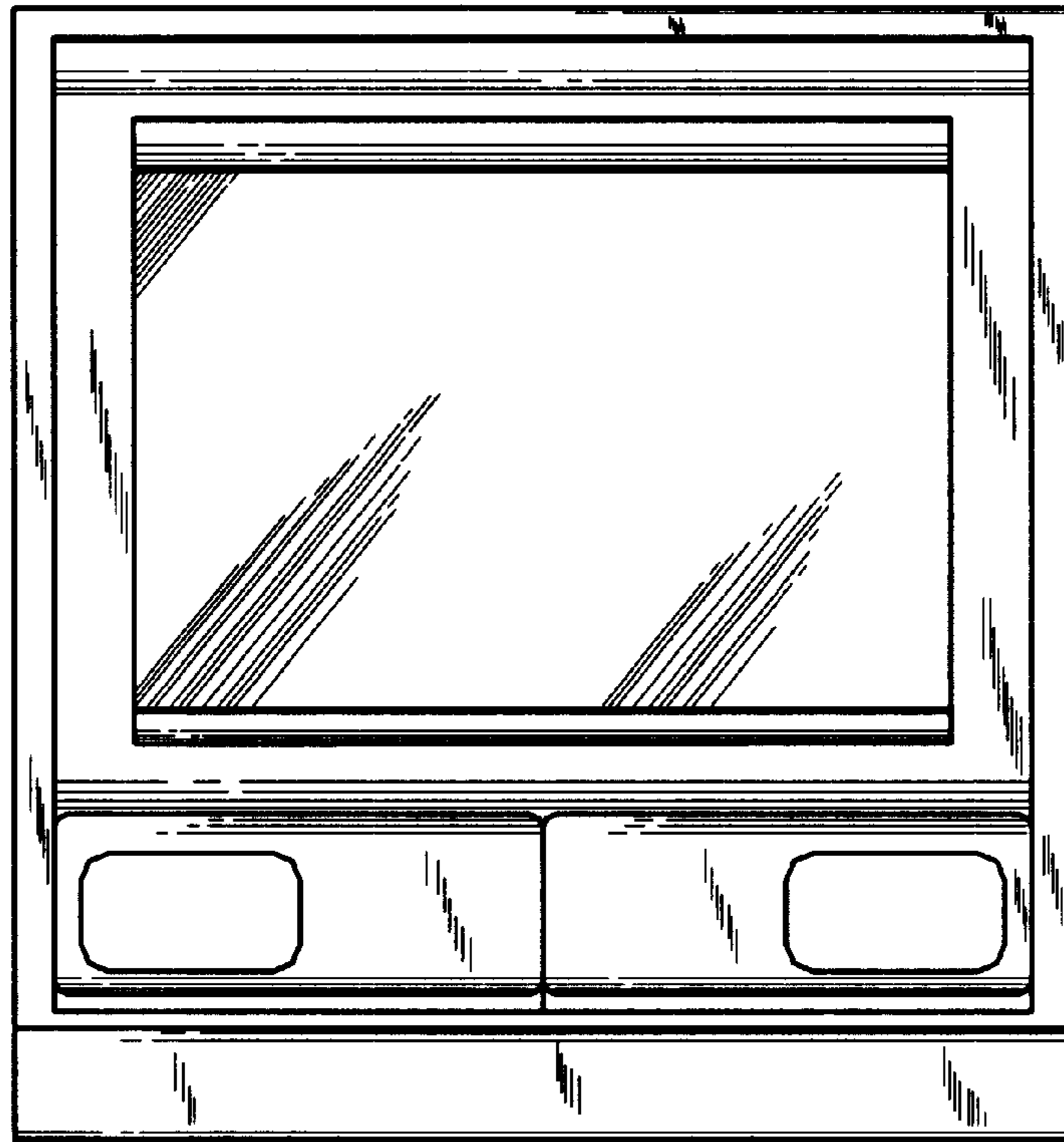


Fig. 4

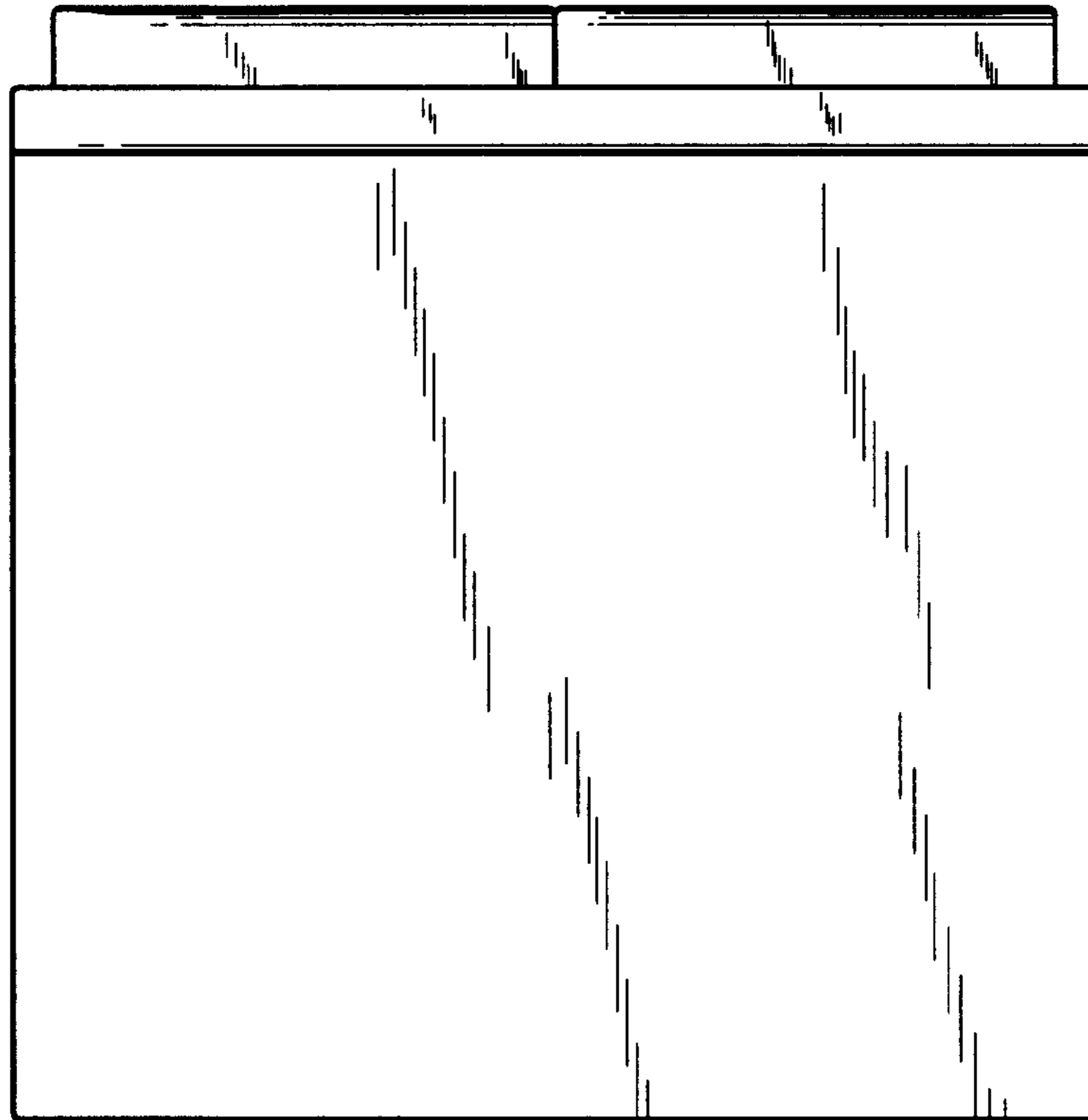


Fig. 5

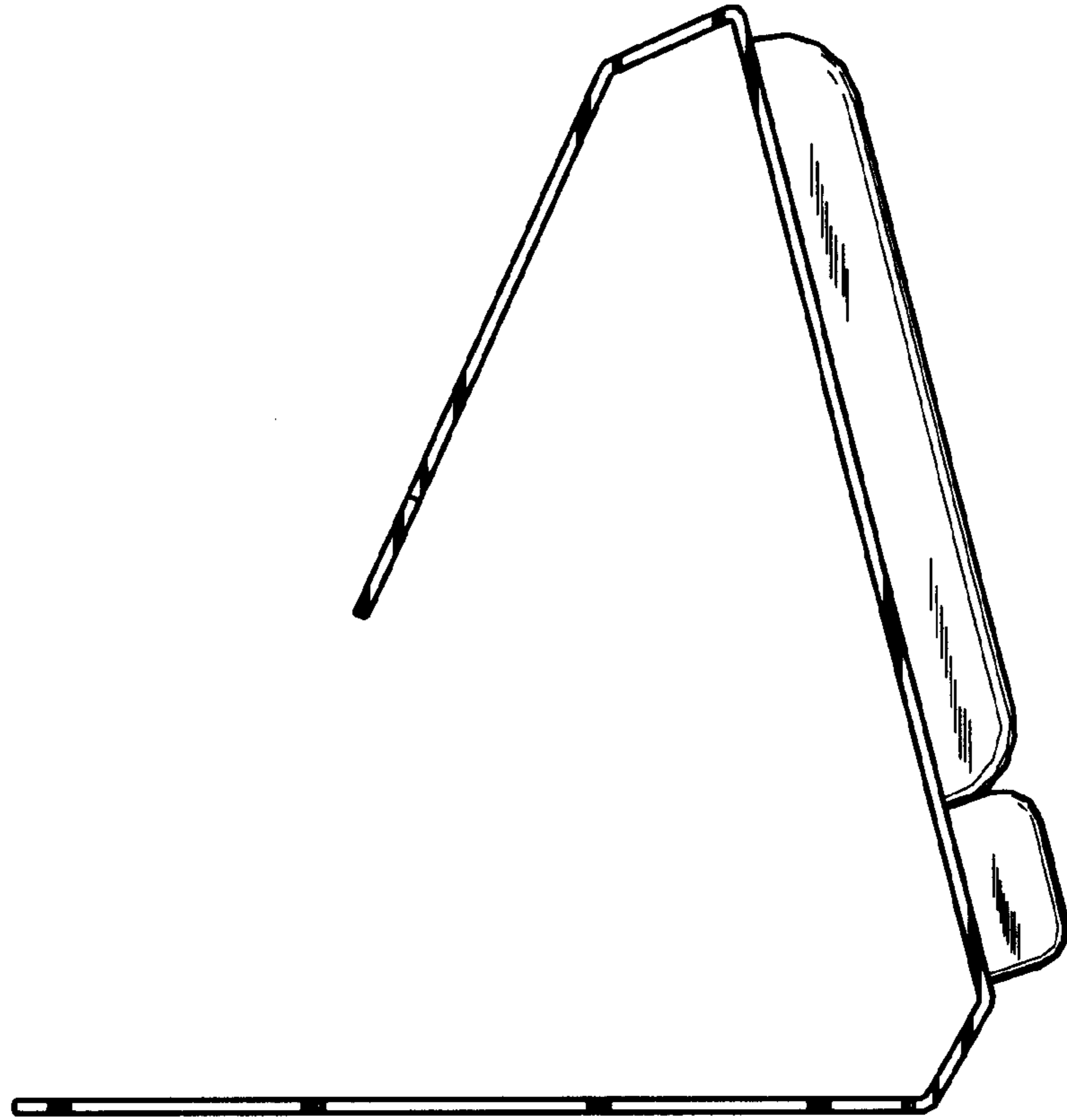


Fig. 6

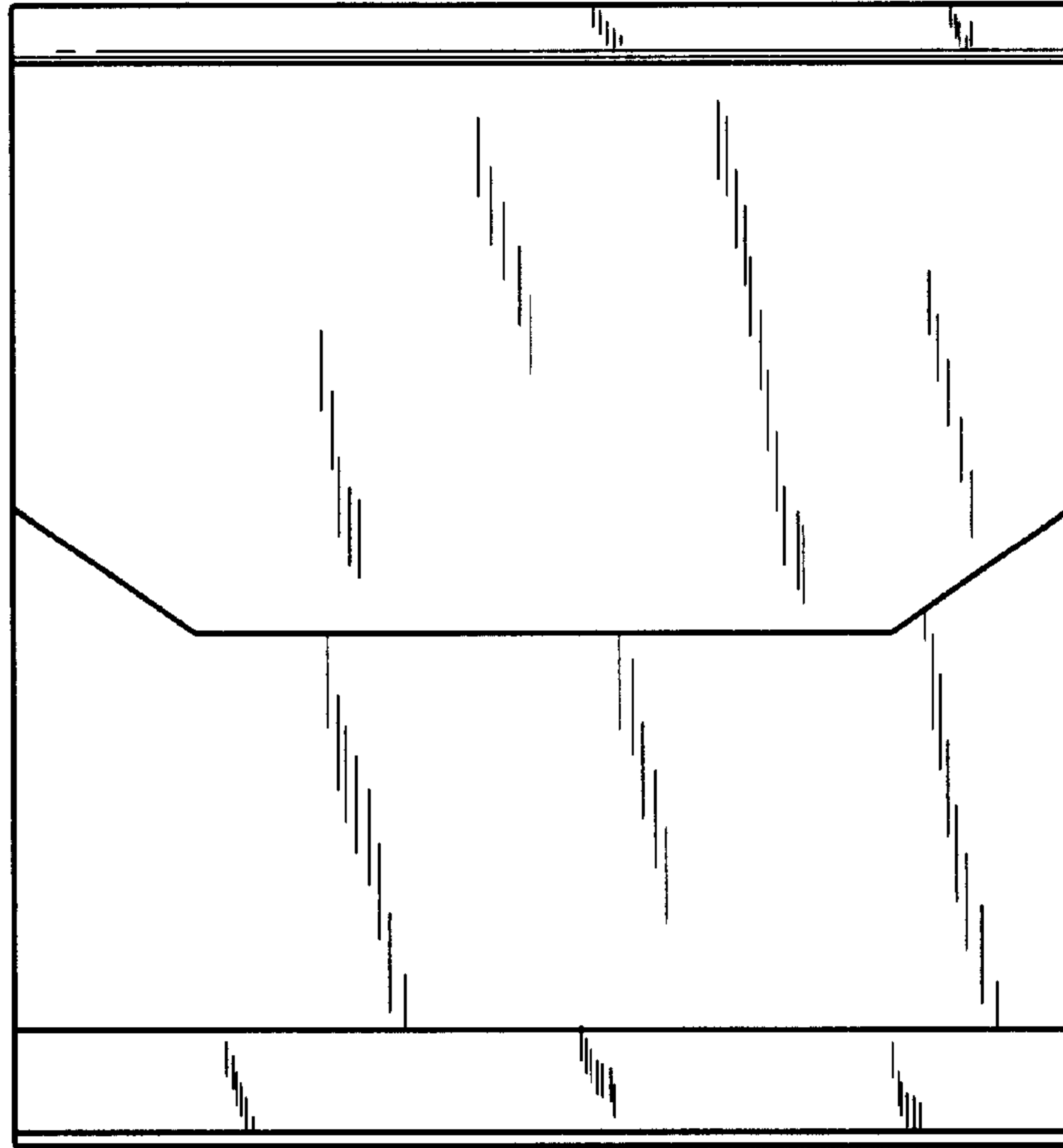


Fig. 7

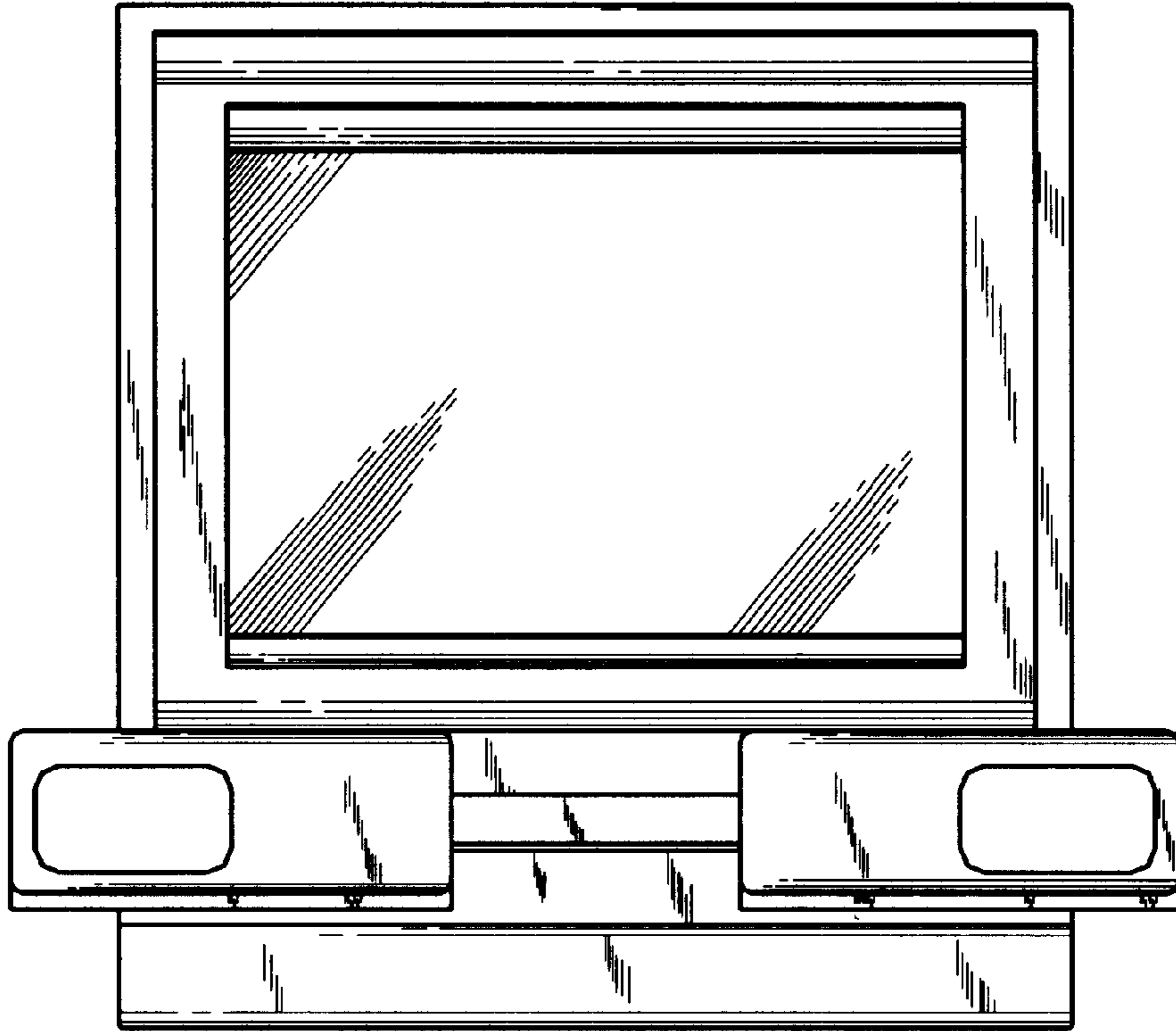


Fig. 8

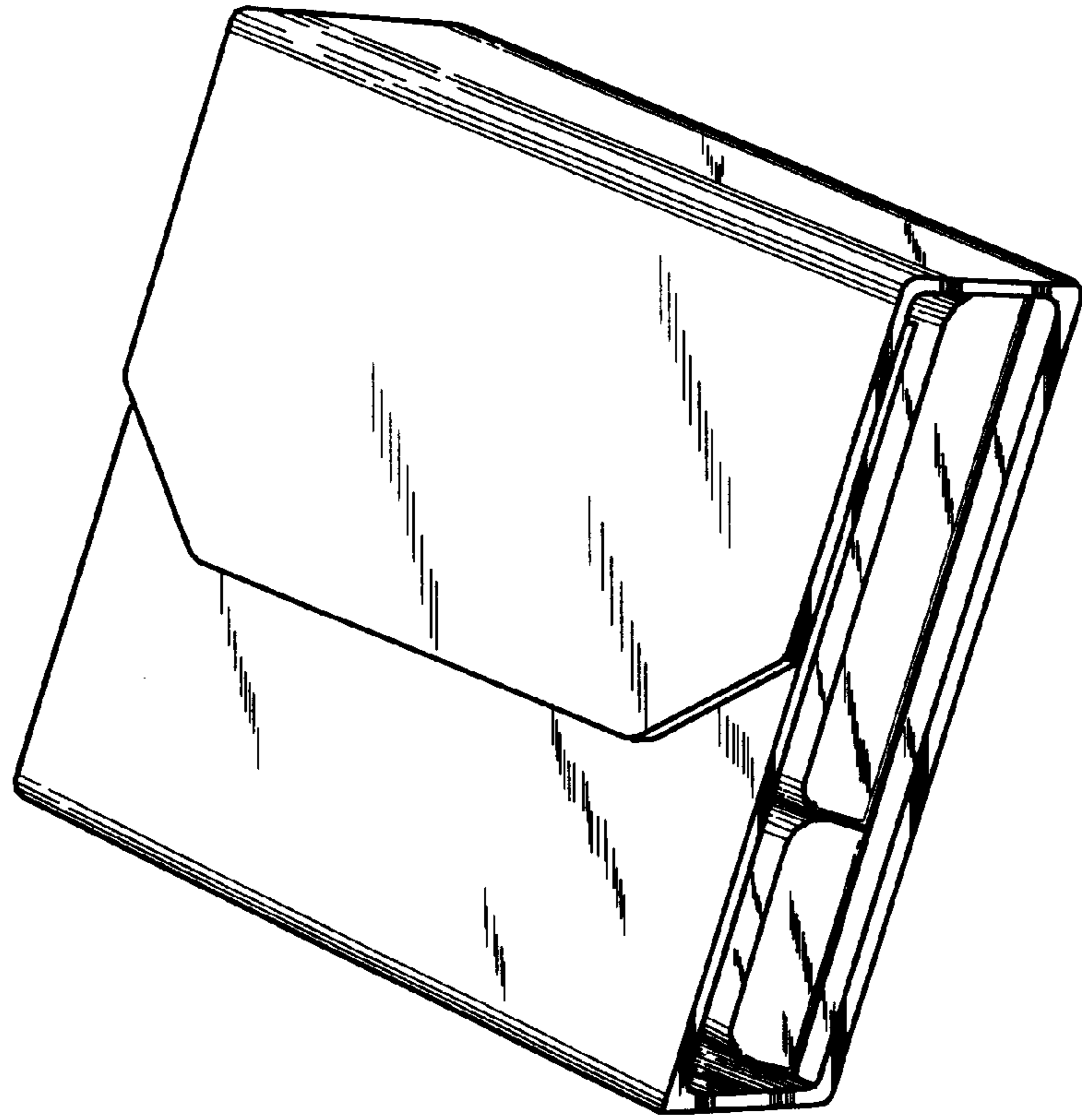


Fig. 9