



US00D480082S

(12) **United States Design Patent**
Searby et al.

(10) **Patent No.: US D480,082 S**
(45) **Date of Patent: ** Sep. 30, 2003**

(54) **COMPUTER WORKSTATION**

(75) Inventors: **Tom J. Searby**, Greeley, CO (US);
Sean William Tucker, Loveland, CO (US)

(73) Assignee: **Hewlett-Packard Company**, Palo Alto, CA (US)

(**) Term: **14 Years**

(21) Appl. No.: **29/168,510**

(22) Filed: **Oct. 3, 2002**

Related U.S. Application Data

(62) Division of application No. 29/152,625, filed on Dec. 21, 2001.

(51) **LOC (7) Cl.** **14-02**

(52) **U.S. Cl.** **D14/353**

(58) **Field of Search** D14/361-363,
D14/365-369, 356; D13/162, 184, 199;
312/223.1-223.3; 360/99.01-99.12; 369/34.01,
36.01; 361/690-696

(56) **References Cited**

U.S. PATENT DOCUMENTS

D370,208 S	*	5/1996	Esslinger	D14/355
D378,515 S	*	3/1997	Senshiki	D14/353
D422,272 S	*	4/2000	Liang	D14/353

* cited by examiner

Primary Examiner—Freda Nunn

(57) **CLAIM**

The ornamental design for a computer workstation, as shown and described.

DESCRIPTION

FIGS. 1-8 show various alternative embodiments of our

design, wherein various elements are shown in uniformly dashed lines for illustrative purposes only to illustrate optional elements, any one or more of which may be included in various alternative embodiments of the design for a computer workstation. Thus, various alternative embodiments of our design for a computer workstation are available by including any one or more (e.g., any combination thereof) of such elements shown in uniformly dashed lines in FIGS. 1-8, and any such alternative embodiment is intended to be within the scope of the present invention. FIGS. 1-8 are described more fully as follows:

FIG. 1 is a top front and left side isometric view of a computer workstation showing our new design;

FIG. 2 is a front view thereof;

FIG. 3 is a left side view thereof;

FIG. 4 is a back view thereof;

FIG. 5 is a right side view thereof;

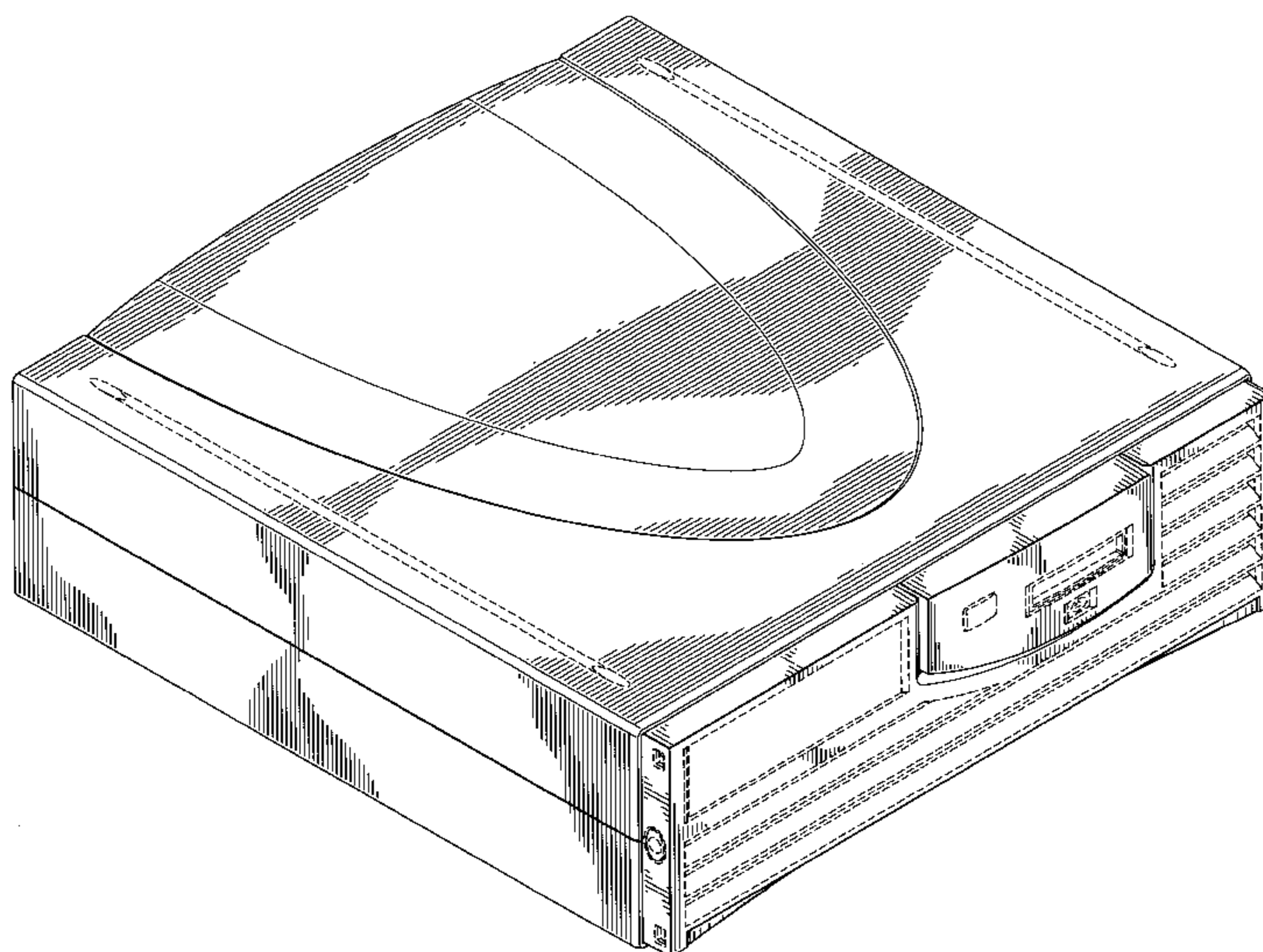
FIG. 6 is a top view thereof;

FIG. 7 is a bottom view thereof; and,

FIG. 8 is a bottom front and left side isometric view thereof.

It should be understood that the descriptions used herein for describing orientation (e.g., front, back, top, bottom, right, and left) are merely for reference, and the design may be disposed in any manner and still be within the scope of the present invention. It should also be understood that the elements shown in uniformly dashed lines herein illustrate optional elements which may be included in various alternative embodiments of the design.

1 Claim, 5 Drawing Sheets



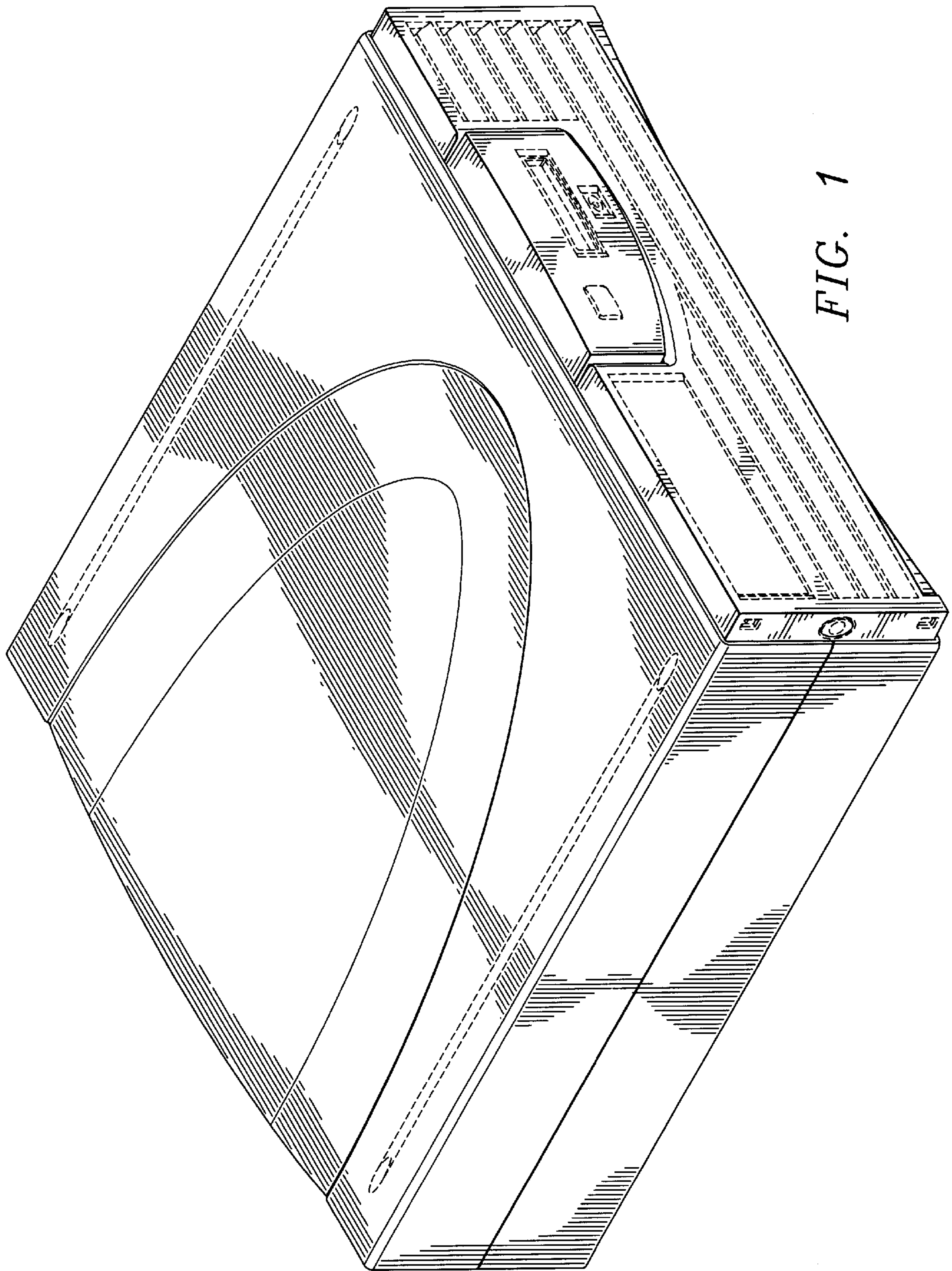


FIG. 1

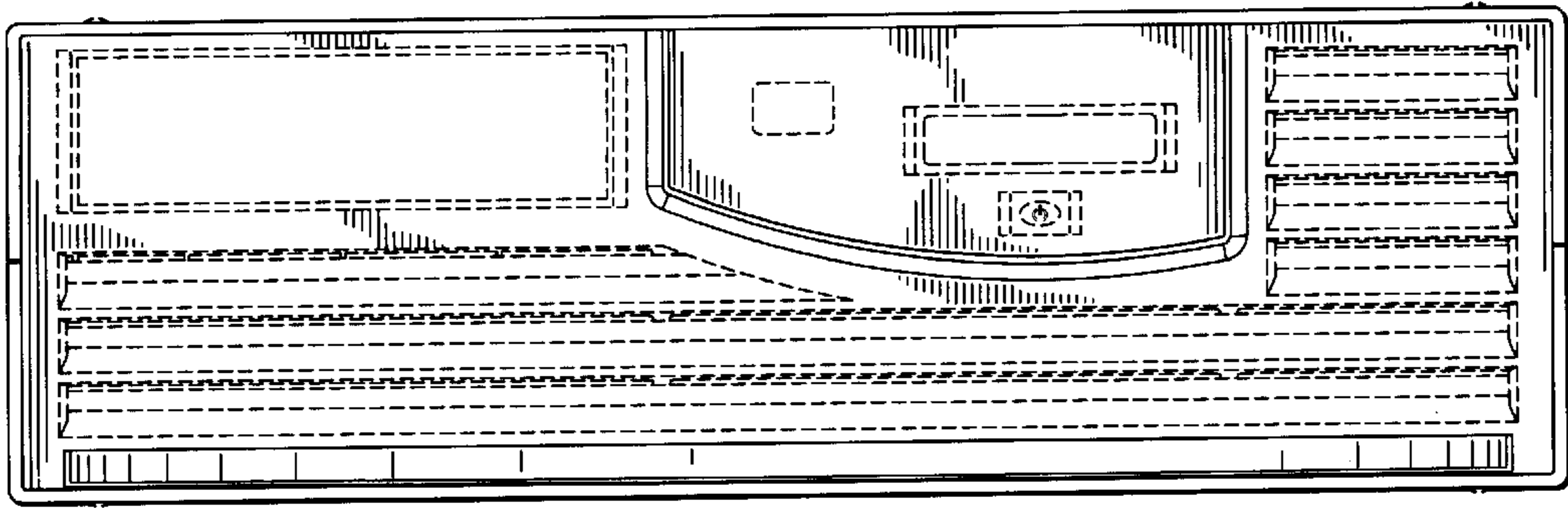


FIG. 2

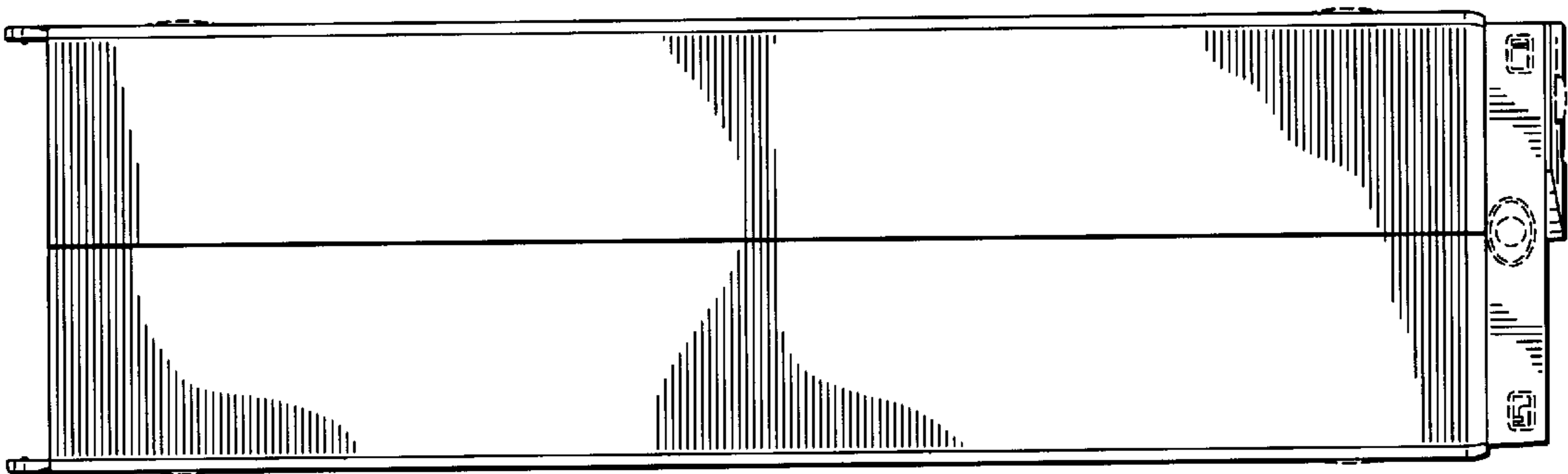


FIG. 3

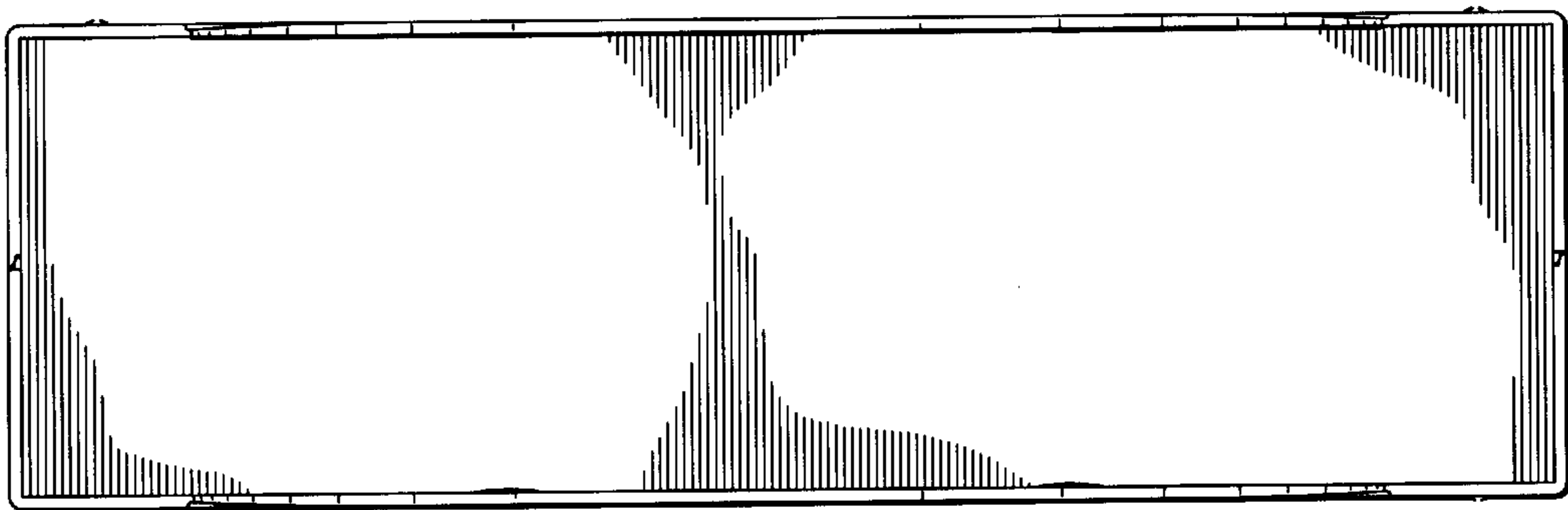


FIG. 4

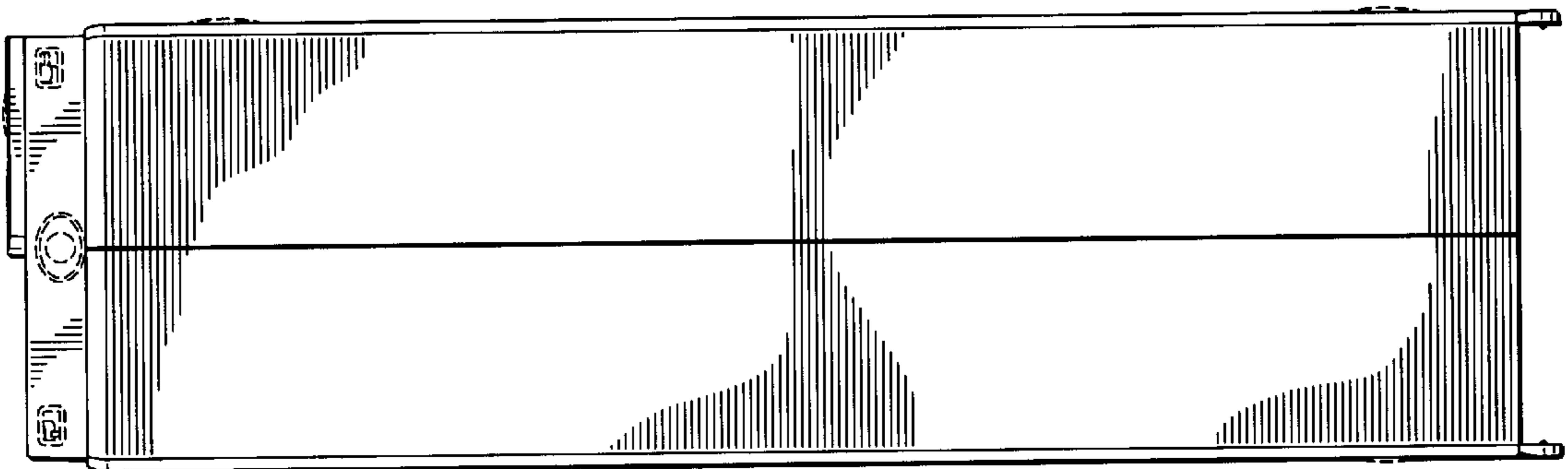


FIG. 5



FIG. 6

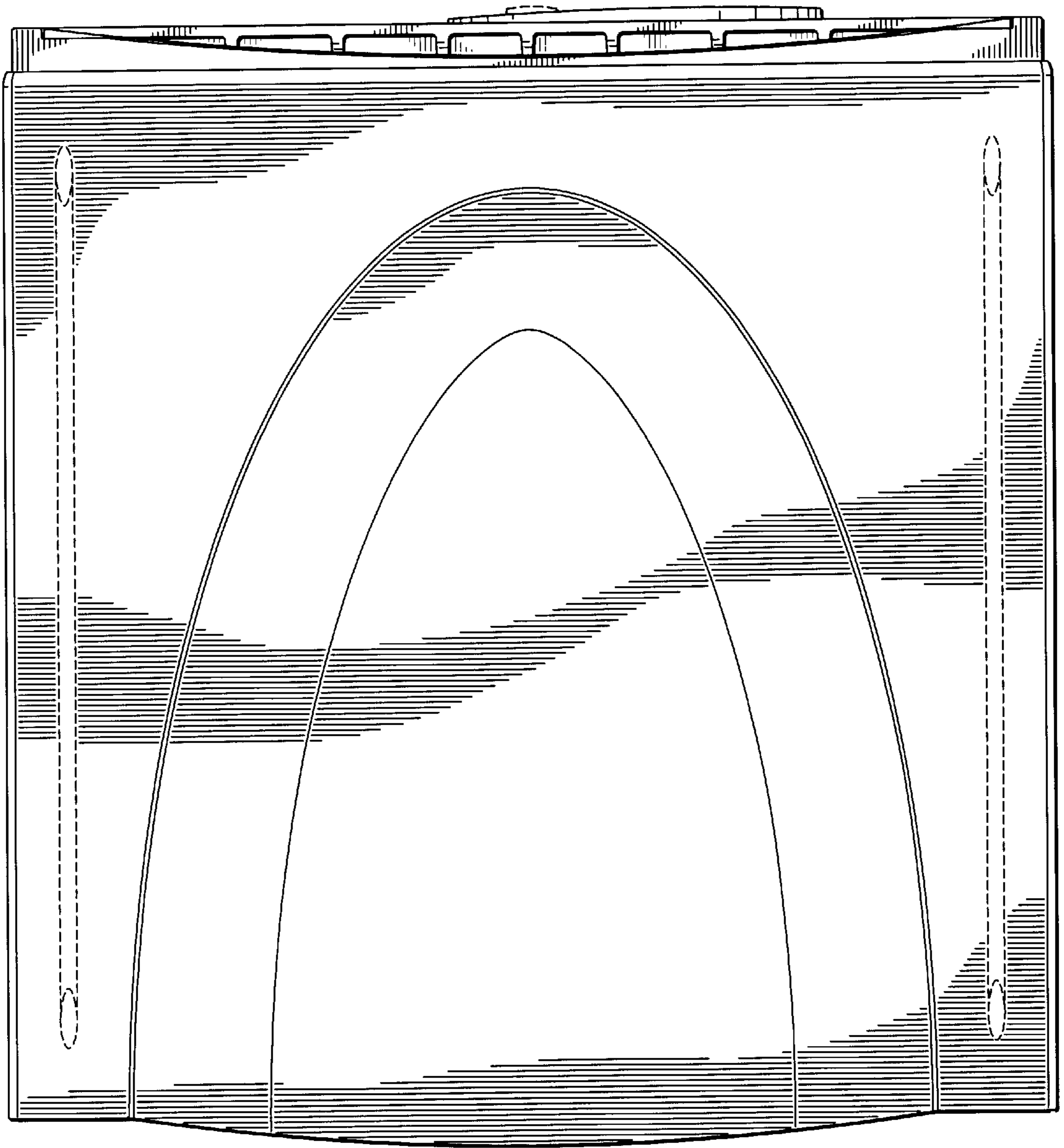


FIG. 7

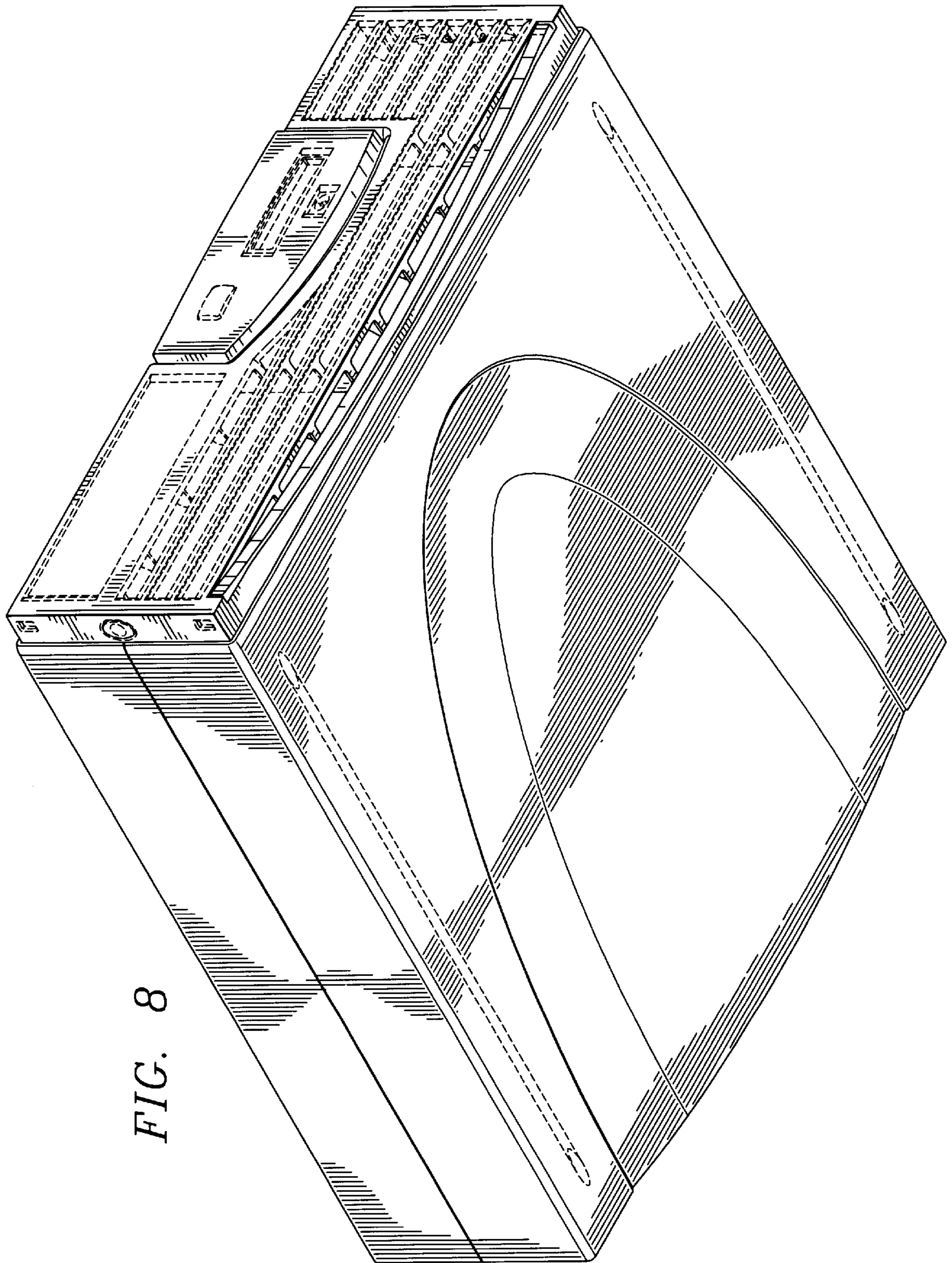


FIG. 8