



US00D480079S

(12) **United States Design Patent**
Miao et al.

(10) **Patent No.:** **US D480,079 S**

(45) **Date of Patent:** **** Sep. 30, 2003**

(54) **NOTEBOOK COMPUTER**

D402,968 S * 12/1998 Wolff et al. D14/318
D455,743 S * 4/2002 Smith et al. D14/328

(75) Inventors: **Chang-Ta Miao**, Taipei (TW);
Gwo-Chyuan Chen, Taipei (TW)

* cited by examiner

(73) Assignee: **Quanta Computer, Inc.**, Tao Yuan
Shien (TW)

Primary Examiner—Freda Nunn

(**) Term: **14 Years**

(57) **CLAIM**

(21) Appl. No.: **29/166,386**

The ornamental design for a notebook computer, as shown and described.

(22) Filed: **Aug. 27, 2002**

DESCRIPTION

(51) **LOC (7) Cl.** **14-02**

(52) **U.S. Cl.** **D14/315**

(58) **Field of Search** D14/315-328;
D18/1, 2, 7; 235/145 A, 145 R; 341/22,
23; 345/156, 168, 169, 172, 173; 349/12;
361/680-686

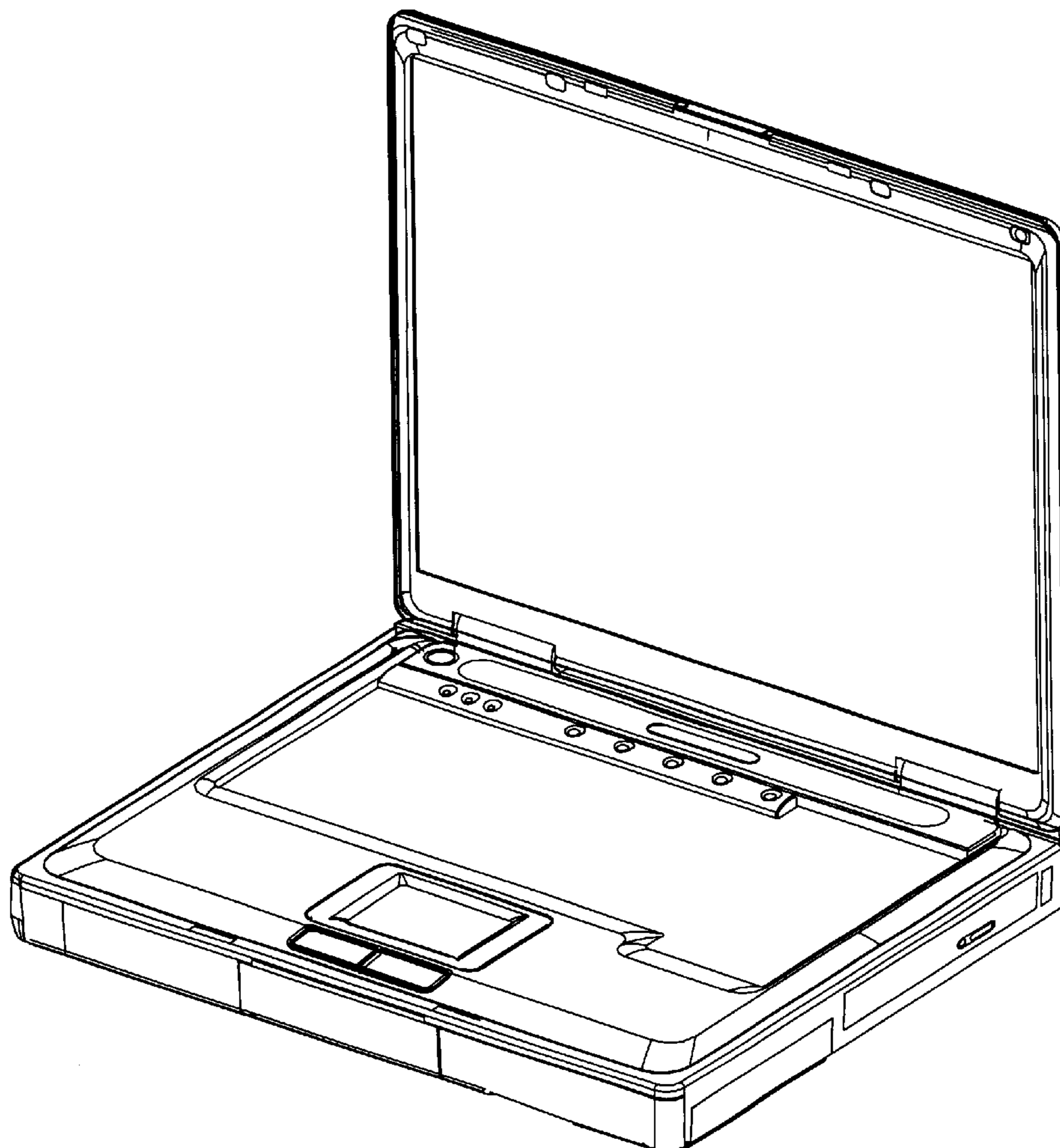
FIG. 1 is a perspective view, as viewed from the front, of a notebook computer showing my new design;
FIG. 2 is a front elevational view thereof;
FIG. 3 is a left side elevational view thereof;
FIG. 4 is a right side elevational view thereof;
FIG. 5 is a top plan view thereof;
FIG. 6 is a bottom plan view thereof; and,
FIG. 7 is a rear elevational view thereof.

(56) **References Cited**

U.S. PATENT DOCUMENTS

D391,927 S * 3/1998 Faranda et al. D14/318

1 Claim, 7 Drawing Sheets



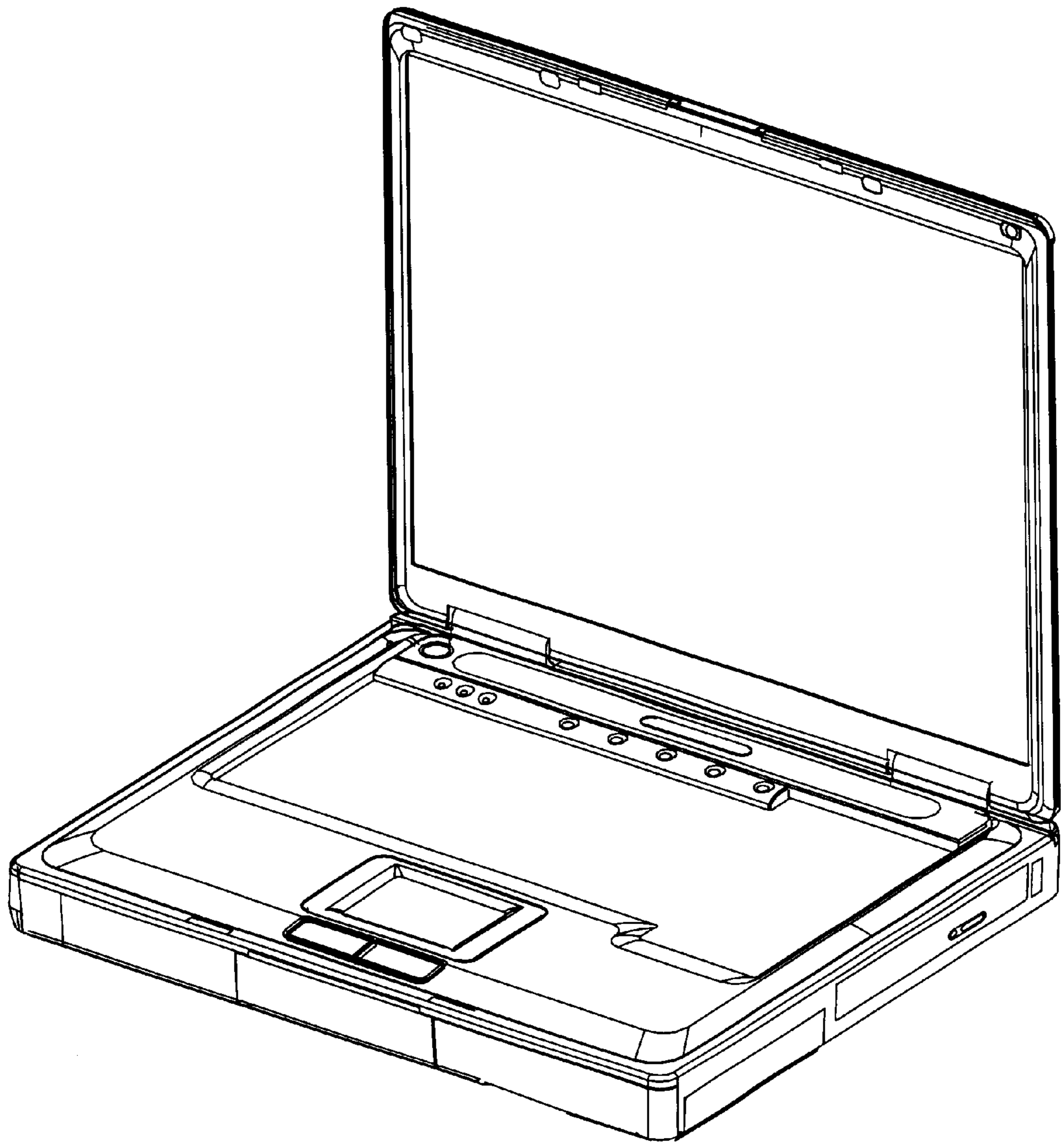


FIG. 1

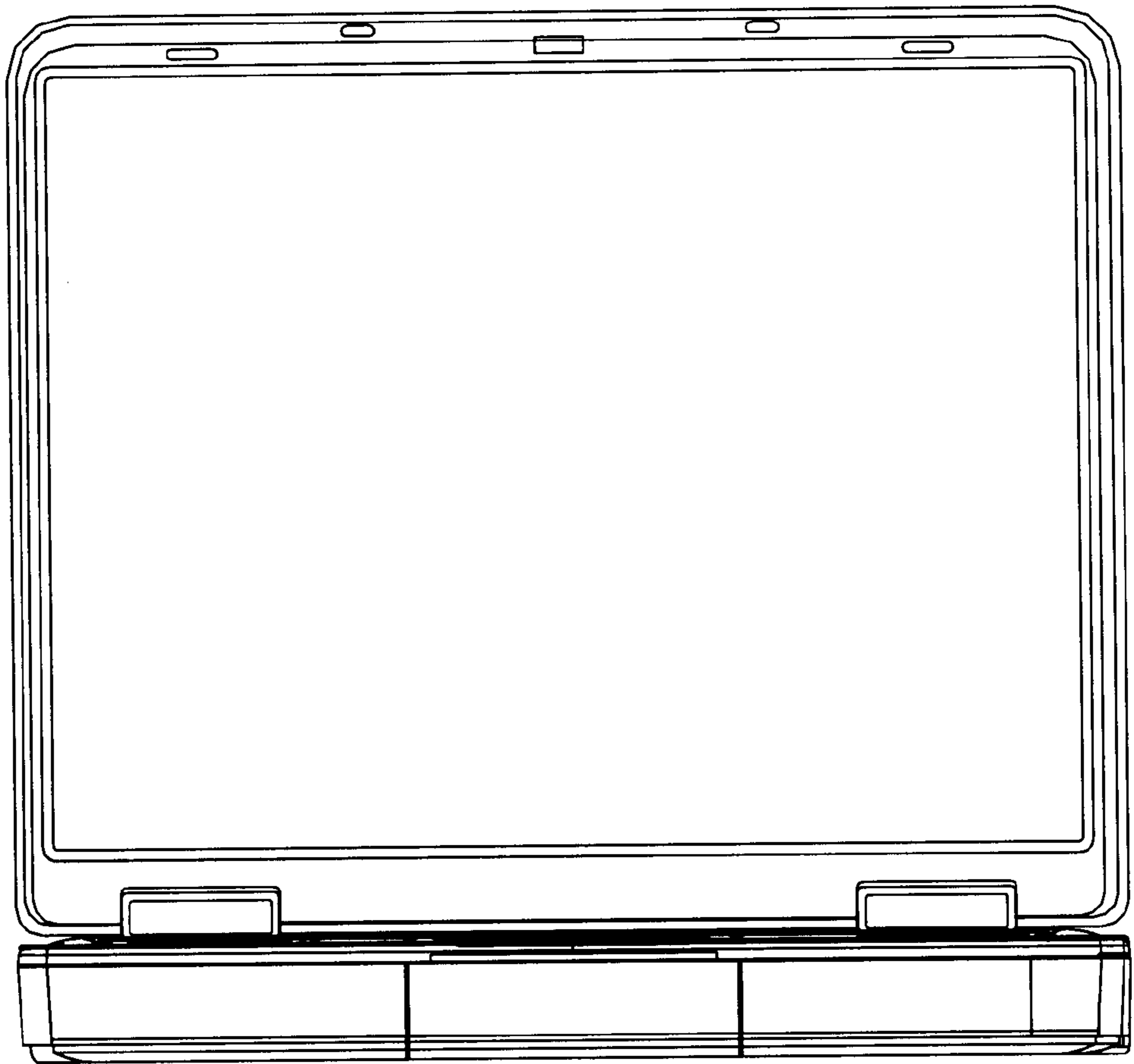


FIG. 2

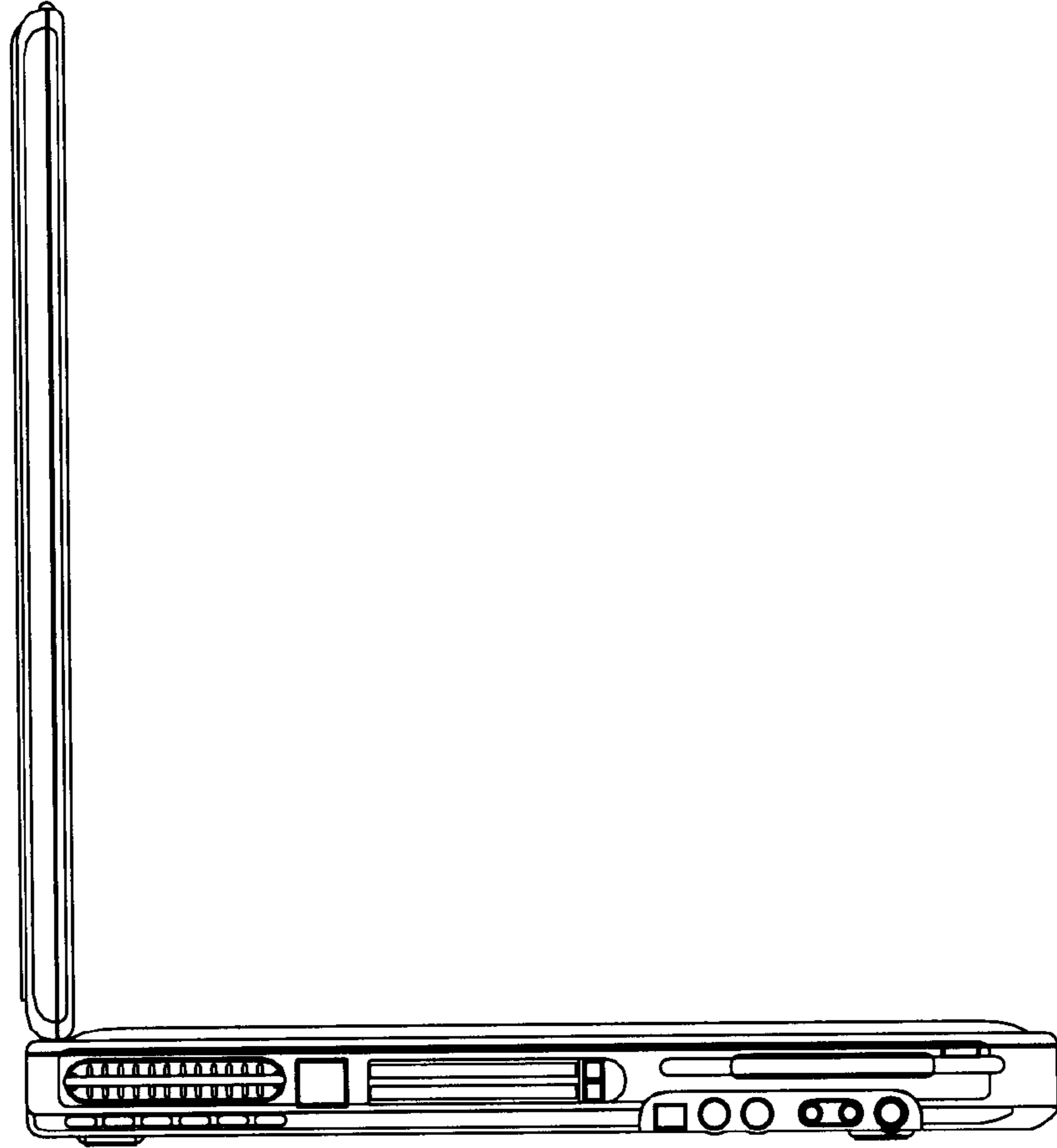


FIG. 3

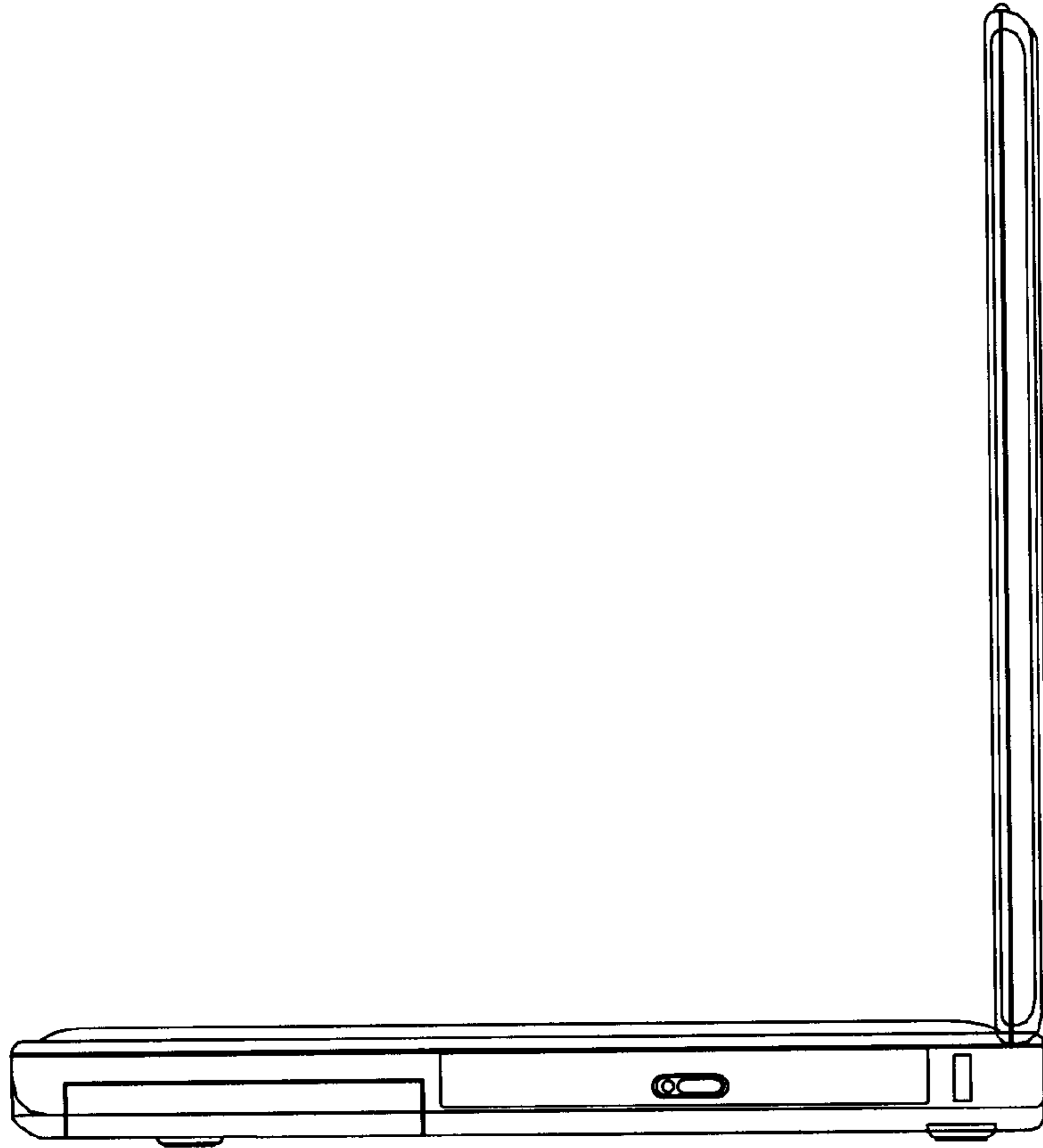


FIG. 4

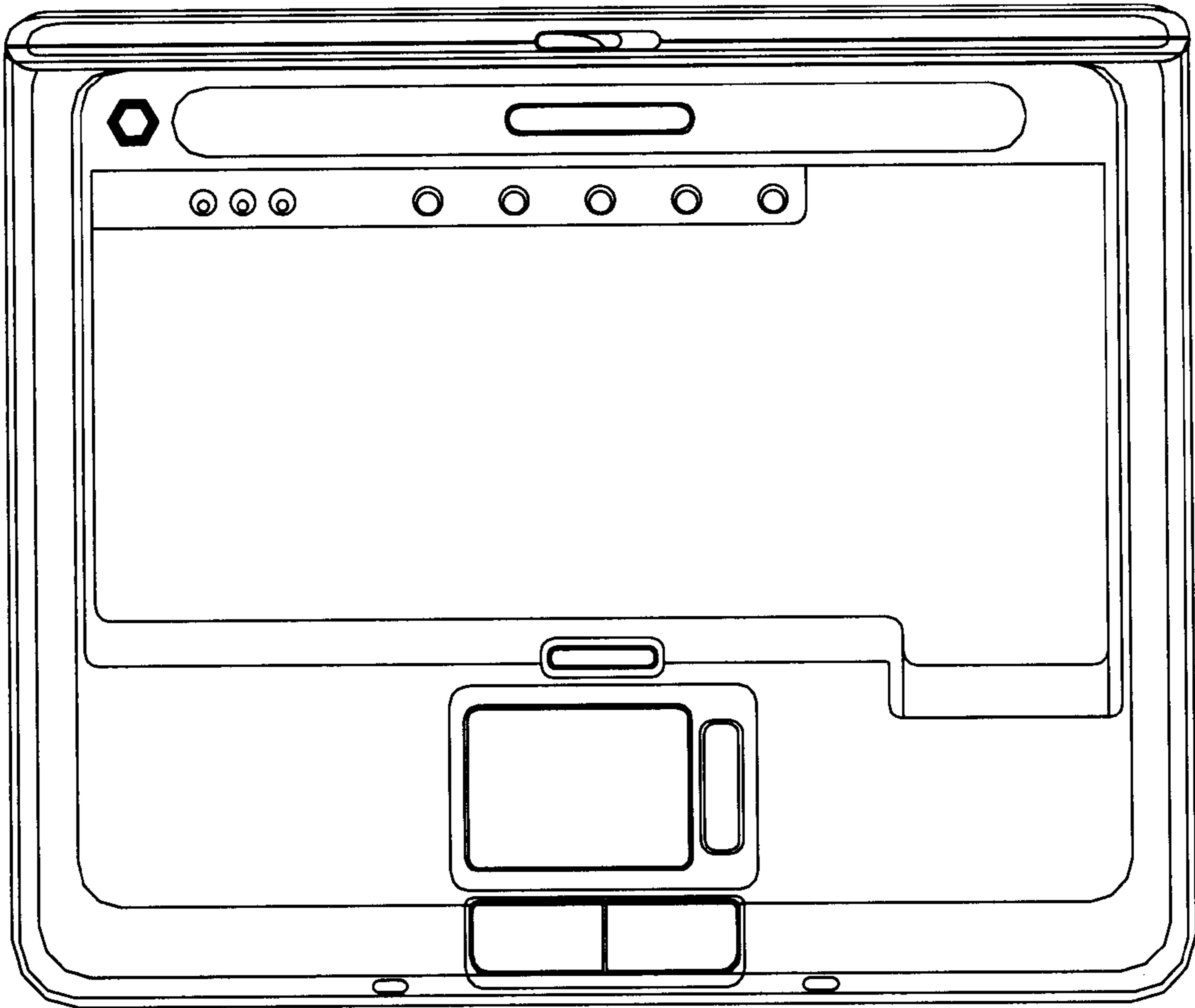


FIG. 5

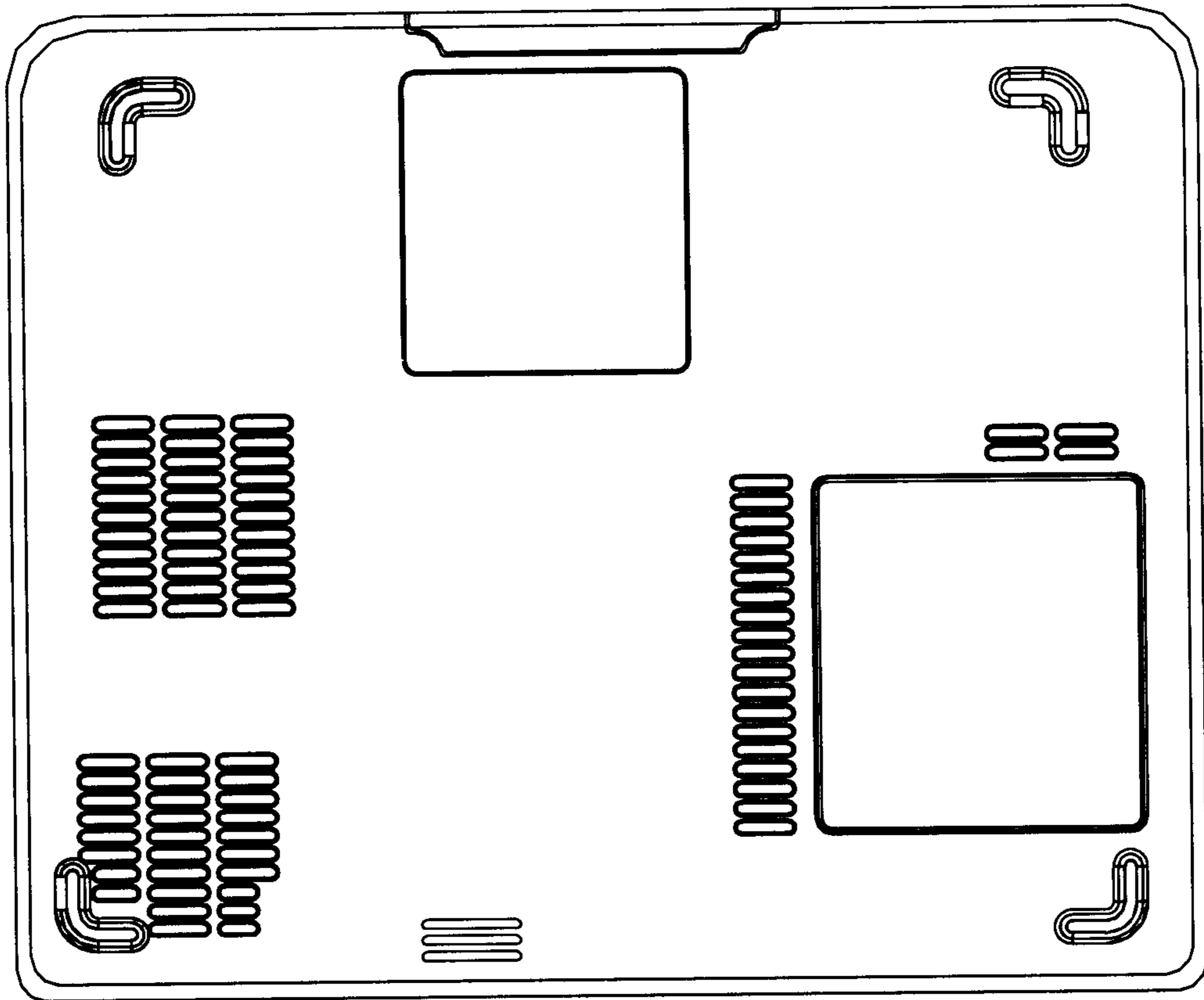


FIG. 6

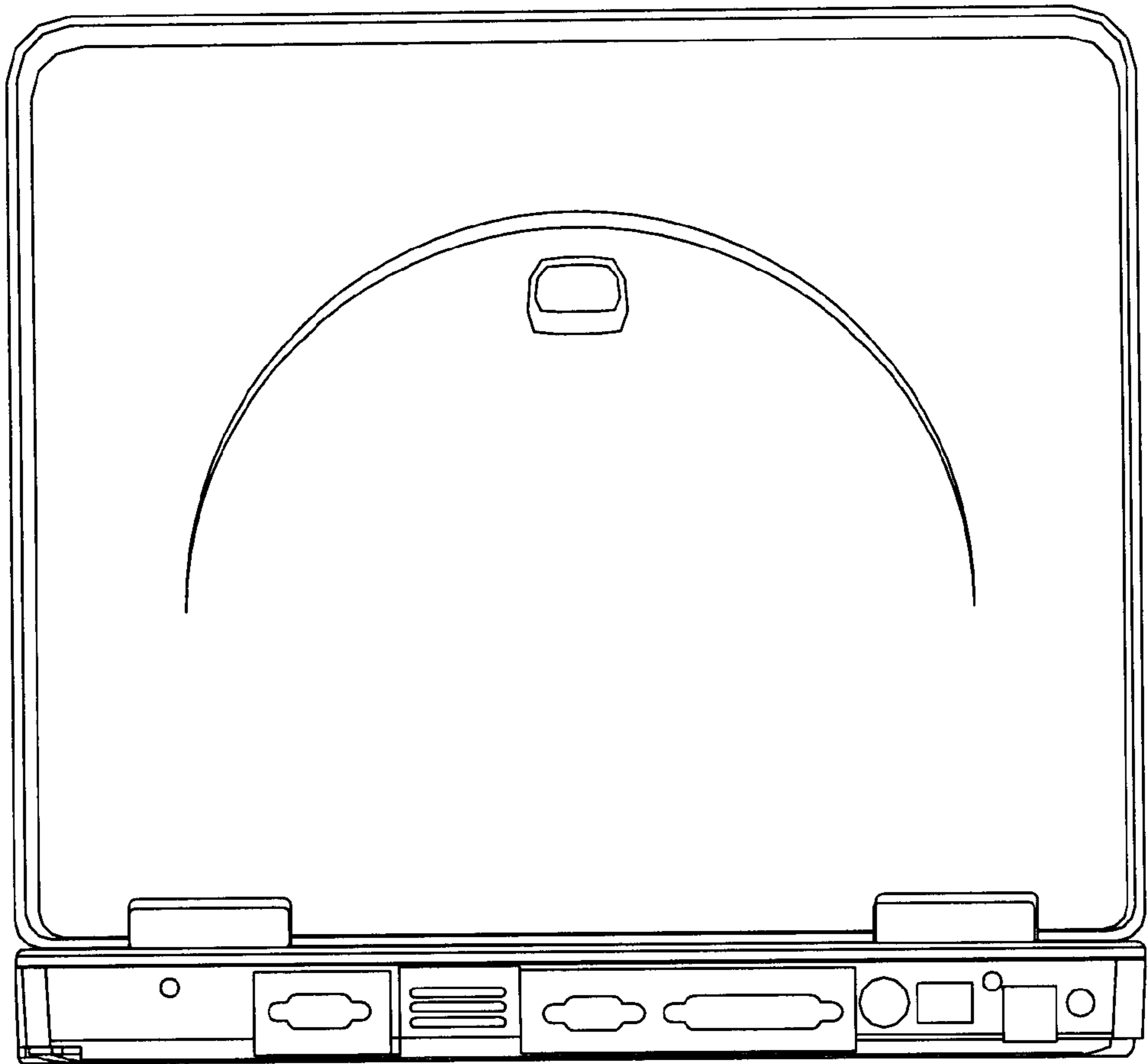


FIG. 7