



US00D480078S

(12) **United States Design Patent**  
**Searby et al.**

(10) **Patent No.:** **US D480,078 S**

(45) **Date of Patent:** **\*\* Sep. 30, 2003**

(54) **RACK MOUNT COMPUTER WORKSTATION**

(75) Inventors: **Tom J. Searby**, Greeley, CO (US);  
**Dustin C. Rosing**, Sunnyvale, CA (US)

(73) Assignee: **Hewlett-Packard Development Company, L.P.**, Houston, TX (US)

(\*\*) Term: **14 Years**

(21) Appl. No.: **29/169,495**

(22) Filed: **Oct. 21, 2002**

(51) **LOC (7) Cl.** ..... **14-02**

(52) **U.S. Cl.** ..... **D14/313**

(58) **Field of Search** ..... D14/301, 302,  
D14/308-313, 367, 356-9; D13/182, 173,  
177; 361/600, 622, 627, 690-96; 369/34.01,  
36.01; 360/99.01-99.12

(56) **References Cited**

**U.S. PATENT DOCUMENTS**

- D350,333 S \* 9/1994 Sharp
- D411,985 S \* 7/1999 Hartel
- D428,892 S \* 8/2000 Haimson

- D447,483 S \* 9/2001 Wu
- D447,484 S \* 9/2001 Reznikov et al.
- D448,033 S \* 9/2001 Anderson et al.

\* cited by examiner

*Primary Examiner*—M. H. Tung

(57) **CLAIM**

The ornamental design for a rack mount computer workstation, as shown and described.

**DESCRIPTION**

FIG. 1 is a front perspective view of a rack mount computer workstation in accordance with our design, on a reduced scale;

FIG. 2 is a front view thereof;

FIG. 3 is a top view thereof;

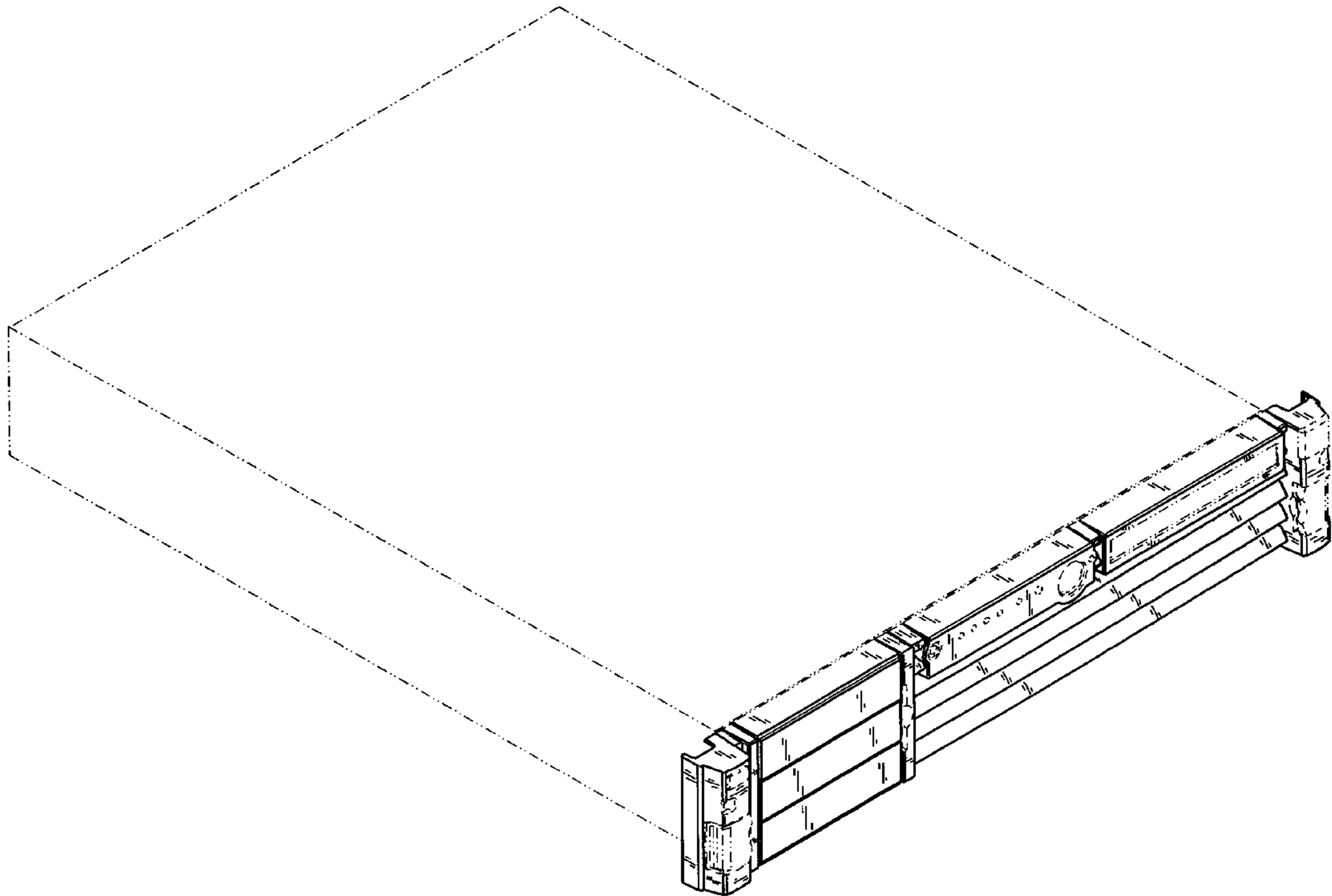
FIG. 4 is a bottom view thereof;

FIG. 5 is a left side view thereof; and,

FIG. 6 is a right side view thereof.

The broken lines provided in the above views are used to indicate environmental structure and form no part of the design.

**1 Claim, 3 Drawing Sheets**



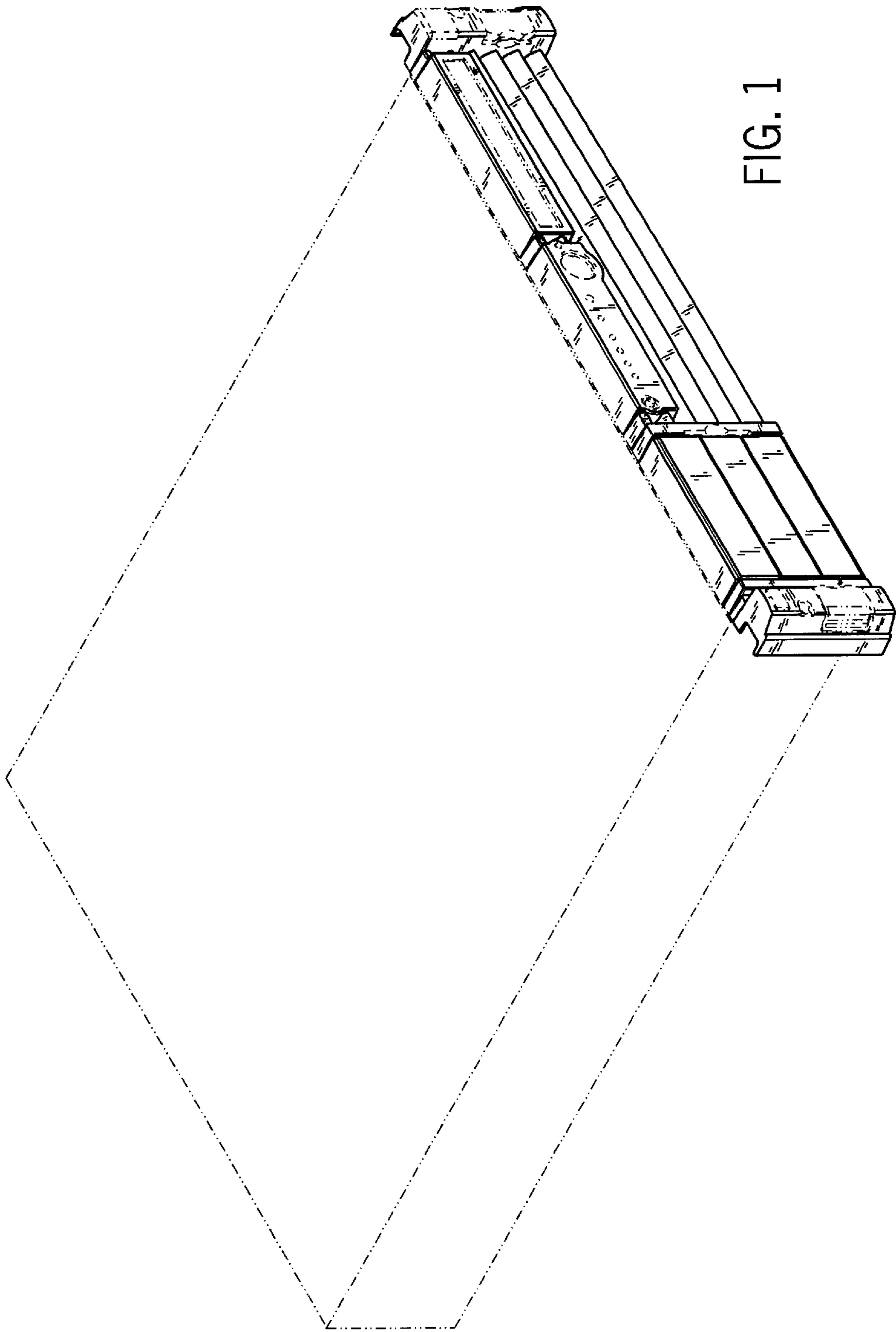


FIG. 1

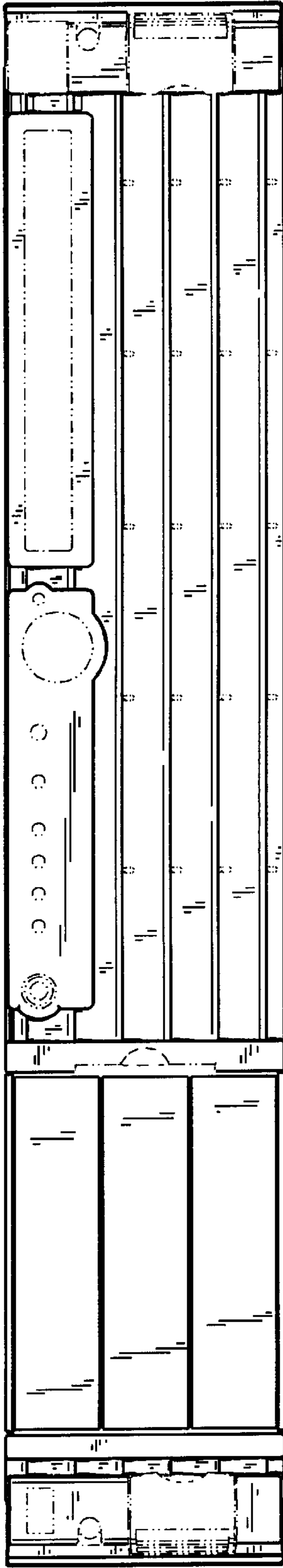


FIG. 2

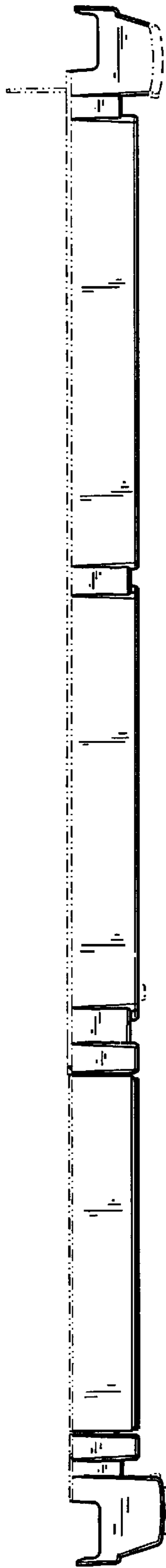


FIG. 3

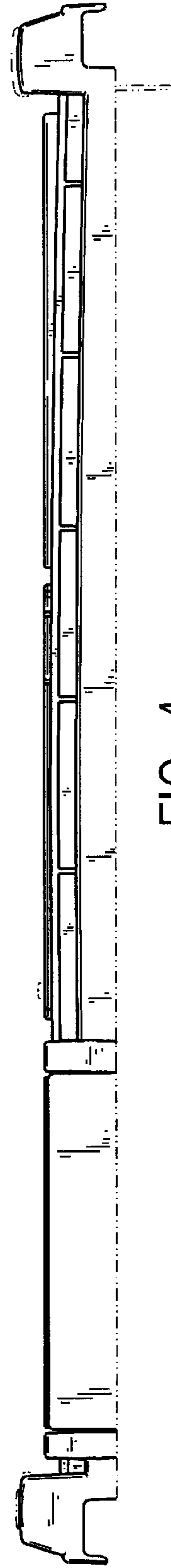


FIG. 4

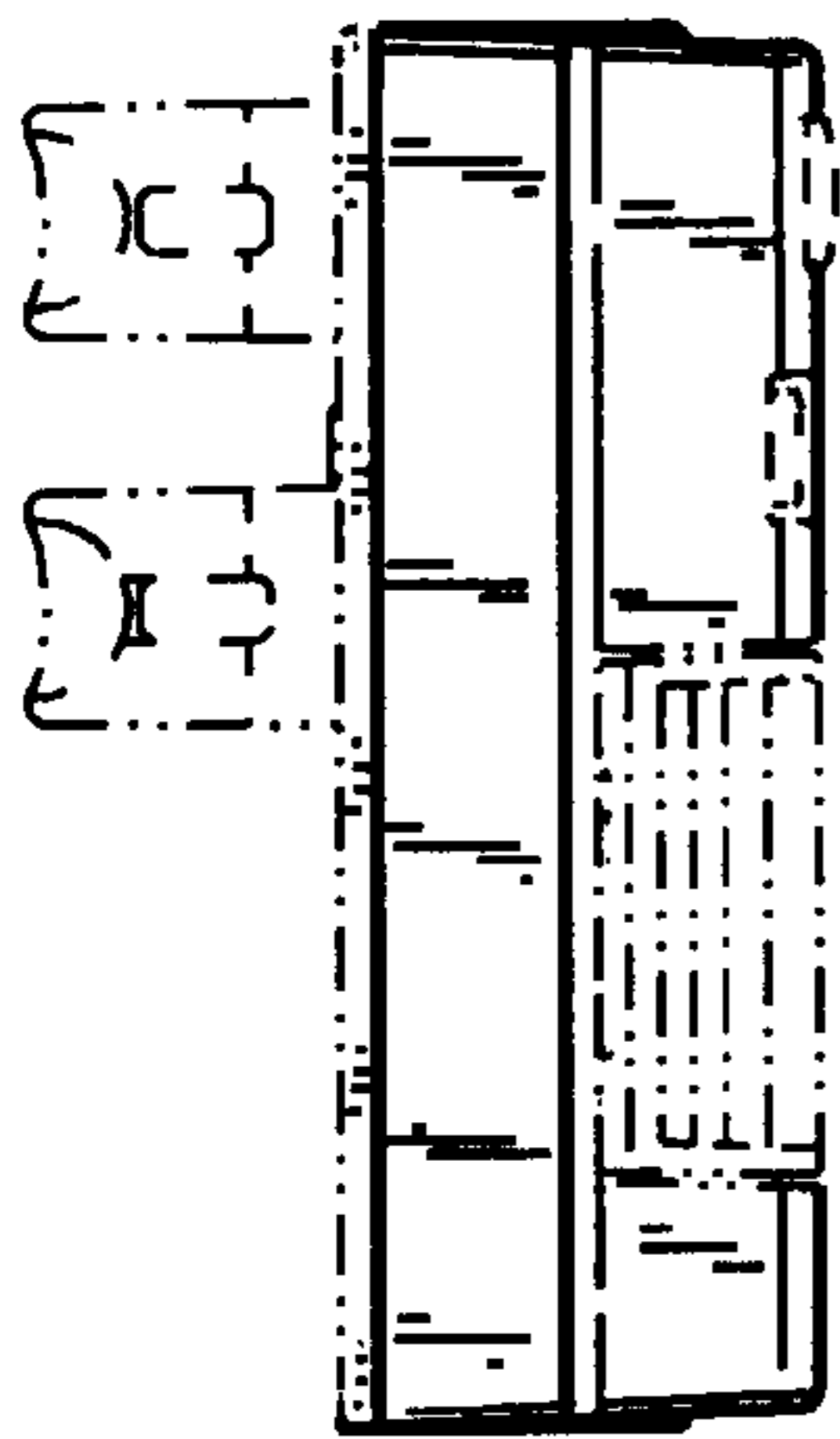


FIG. 5

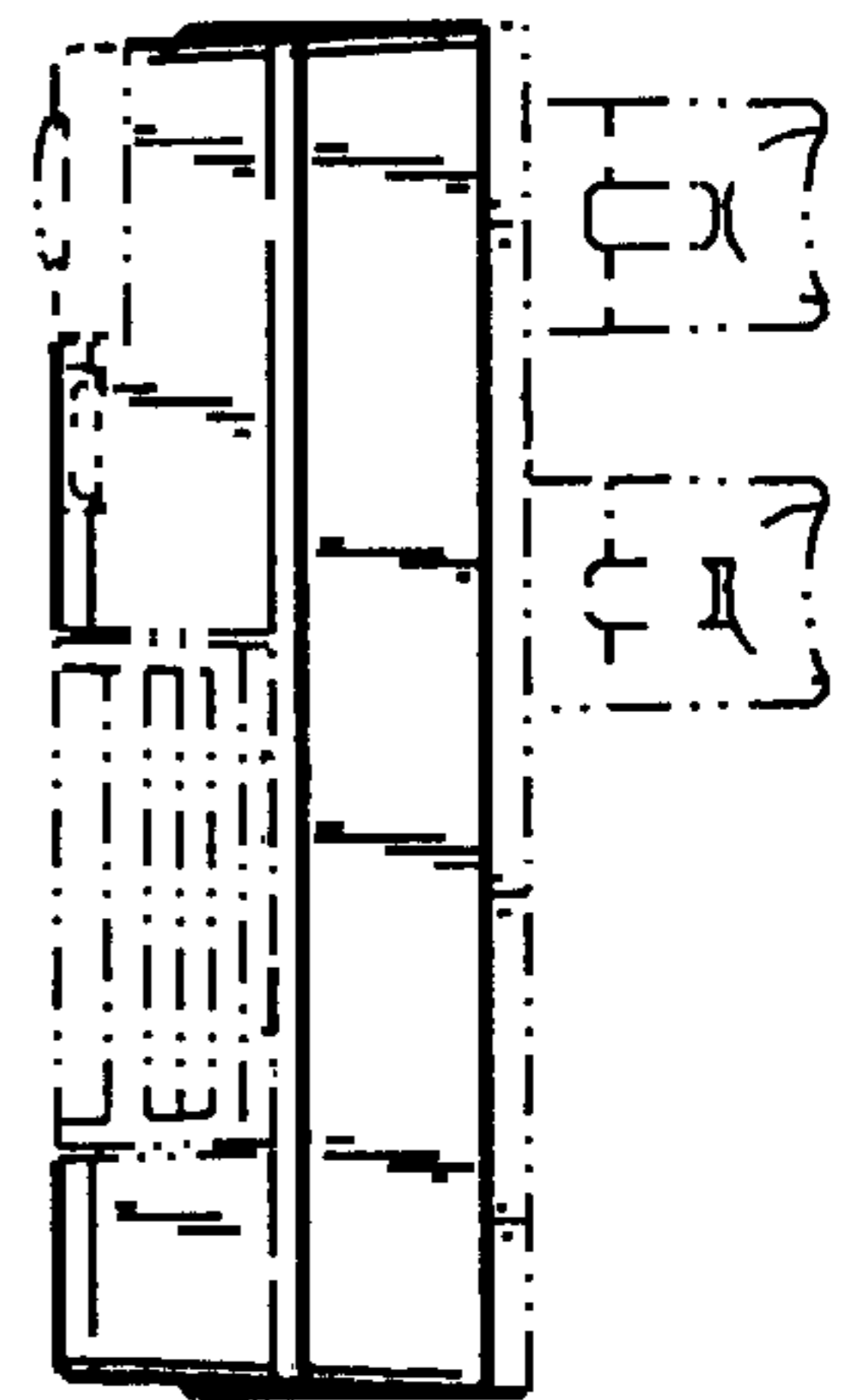


FIG. 6