



US00D480077S

(12) **United States Design Patent**
Searby et al.

(10) **Patent No.:** **US D480,077 S**

(45) **Date of Patent:** **** Sep. 30, 2003**

(54) **COMPUTER WORKSTATION**

(75) Inventors: **Tom J. Searby**, Greeley, CO (US);
Max Yoshimoto, San Francisco, CA
(US); **Gil Wong**, El Dorado Hills, CA
(US); **Glenn Wong**, Palo Alto, CA
(US); **Nicolas Denhez**, San Francisco,
CA (US)

(73) Assignee: **Hewlett-Packard Development
Company, L.P.**, Houston, TX (US)

(**) Term: **14 Years**

(21) Appl. No.: **29/172,477**

(22) Filed: **Dec. 12, 2002**

(51) **LOC (7) Cl.** **14-02**

(52) **U.S. Cl.** **D14/308; D14/351**

(58) **Field of Search** **D14/300-313,**
D14/348-356; 312/223.2; 361/683, 724

(56) **References Cited**

U.S. PATENT DOCUMENTS

D396,030 S * 7/1998 Murphy D14/388

D432,125 S * 10/2000 Masuda et al. D14/349
6,134,107 A * 10/2000 Kerrigan et al. 312/223.2 X
6,163,465 A * 12/2000 Tanner et al. 361/827

* cited by examiner

Primary Examiner—Joel Sincavage

(57) **CLAIM**

The ornamental design for a computer workstation, as shown and described.

DESCRIPTION

FIG. 1 is a front isometric view of a computer workstation in accordance with our design; FIG. 2 is a right side view thereof, the left side view being a mirror image of the right side view; FIG. 3 is a front view thereof; FIG. 4 is a back view thereof; FIG. 5 is a top view thereof; and, FIG. 6 is a bottom view thereof.

The broken lines provided in the above views are used to indicate environmental structure and form no part of the design.

1 Claim, 3 Drawing Sheets

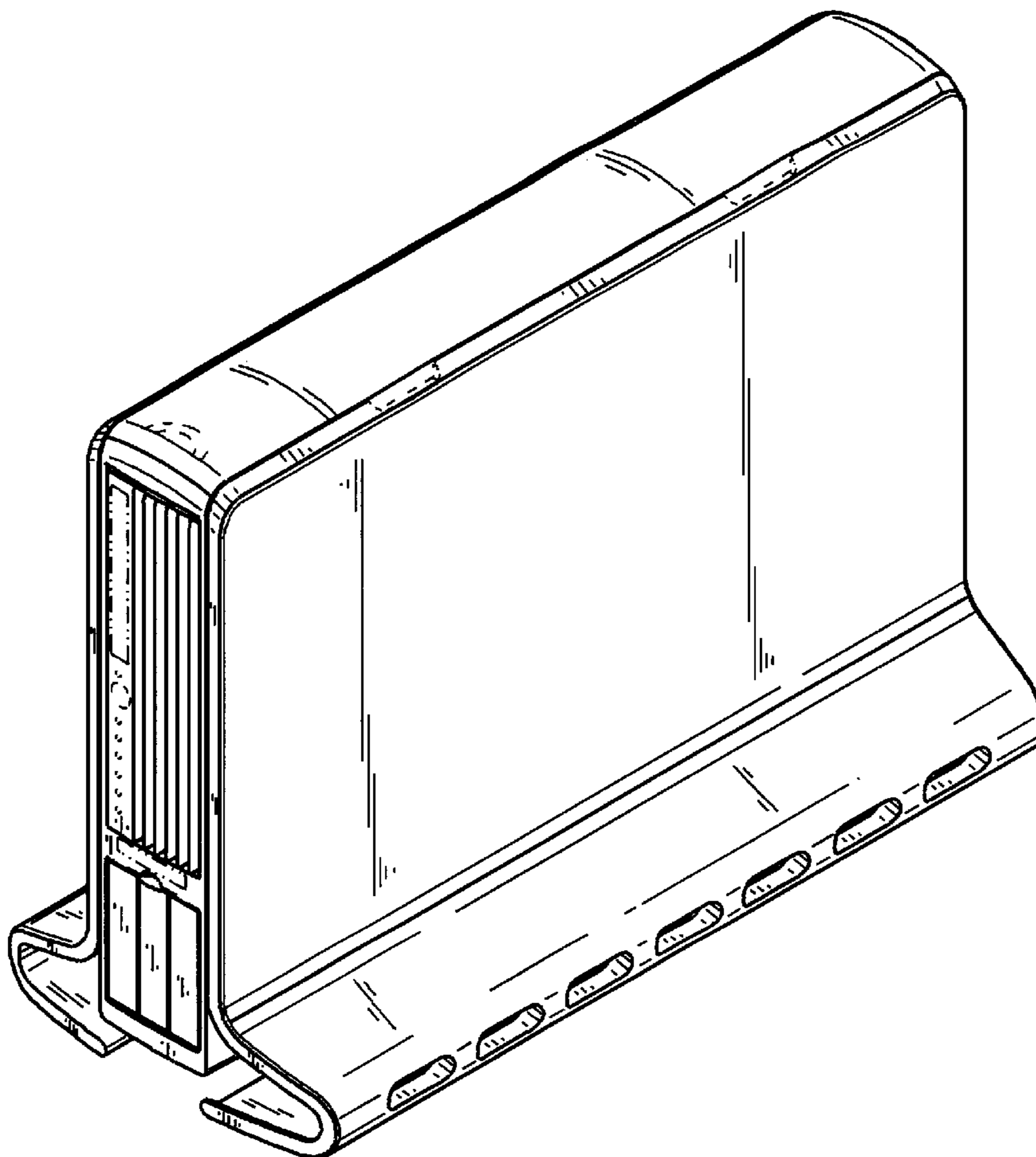


FIG. 1

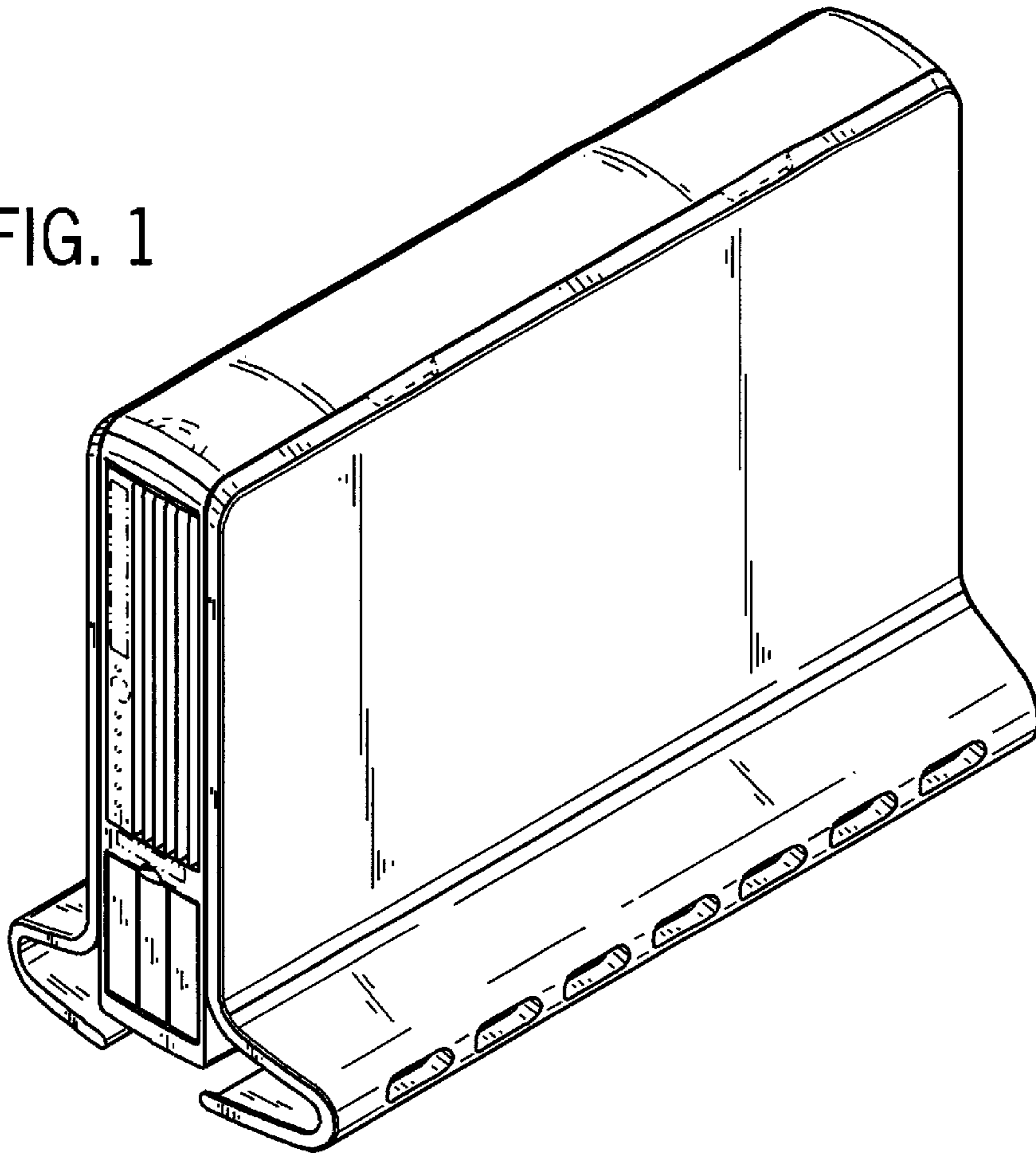


FIG. 2

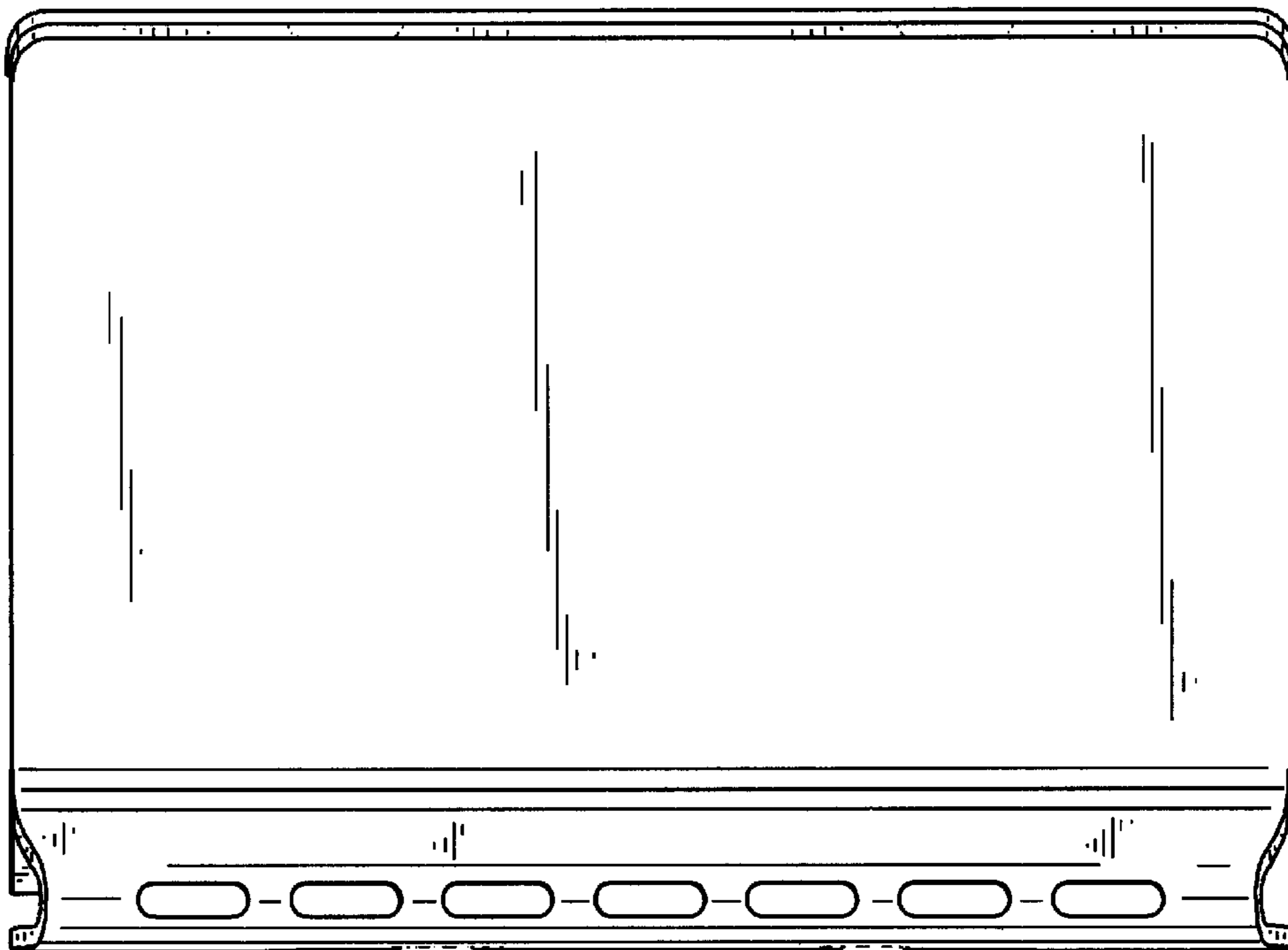


FIG. 3

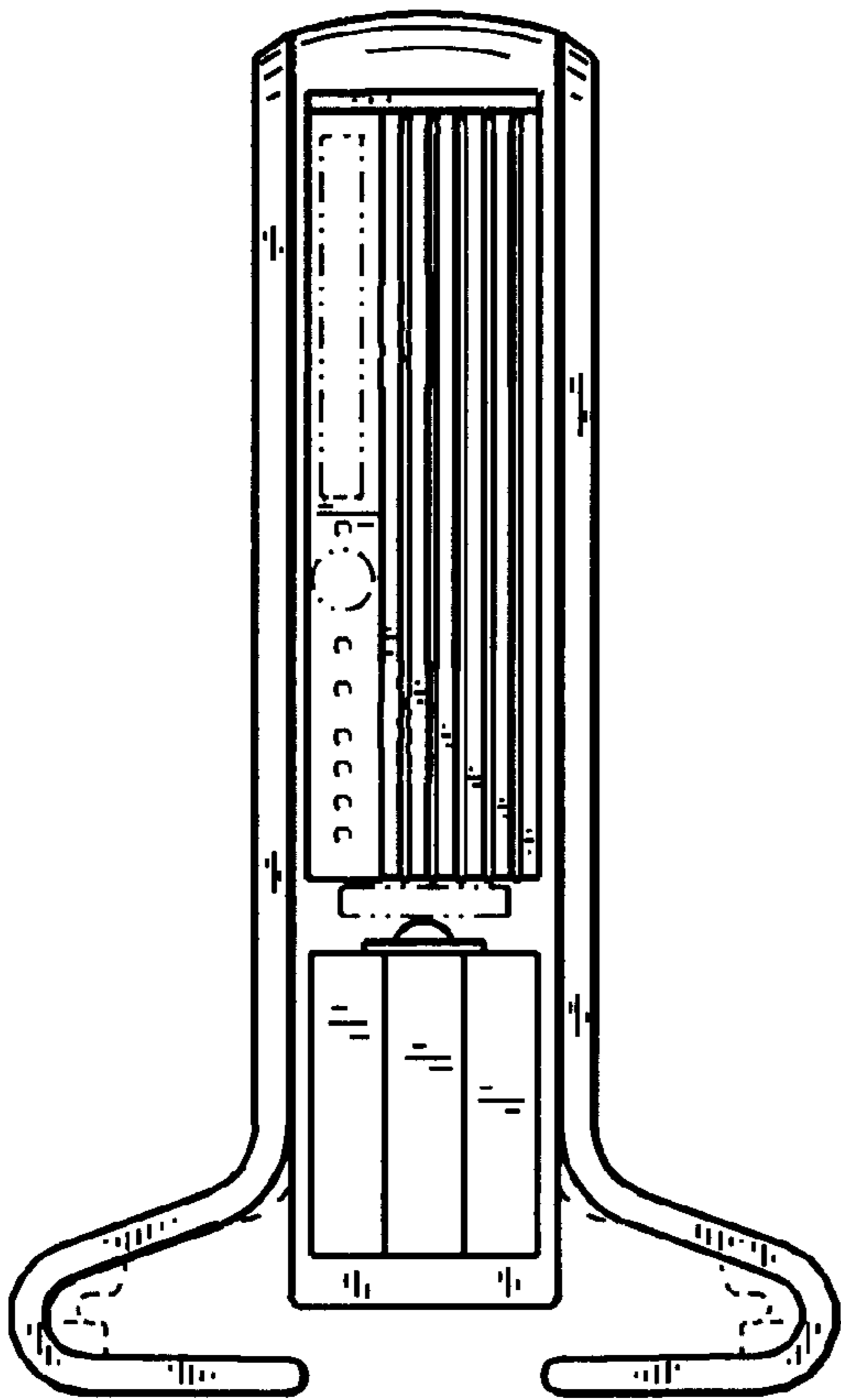


FIG. 4

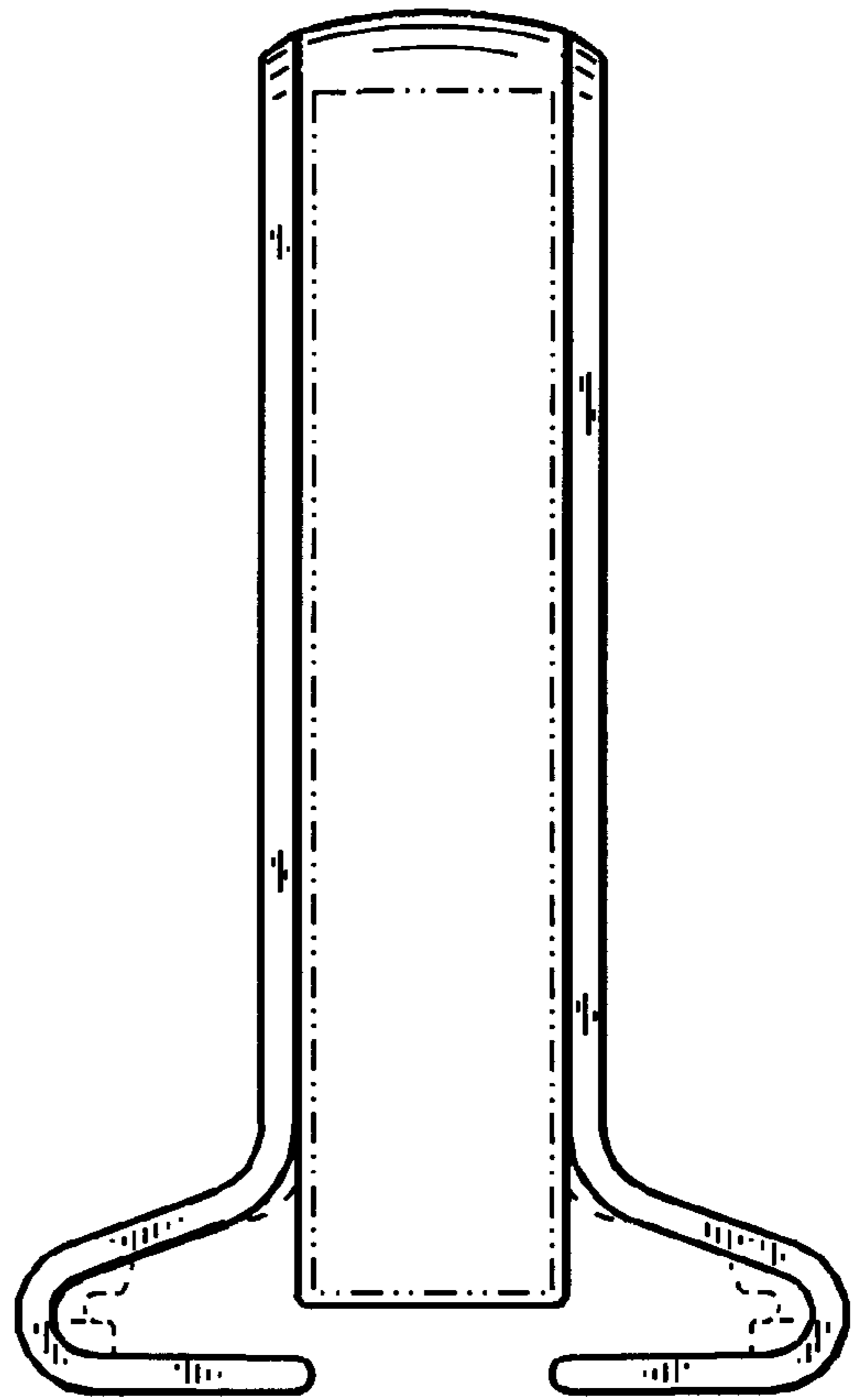


FIG. 5

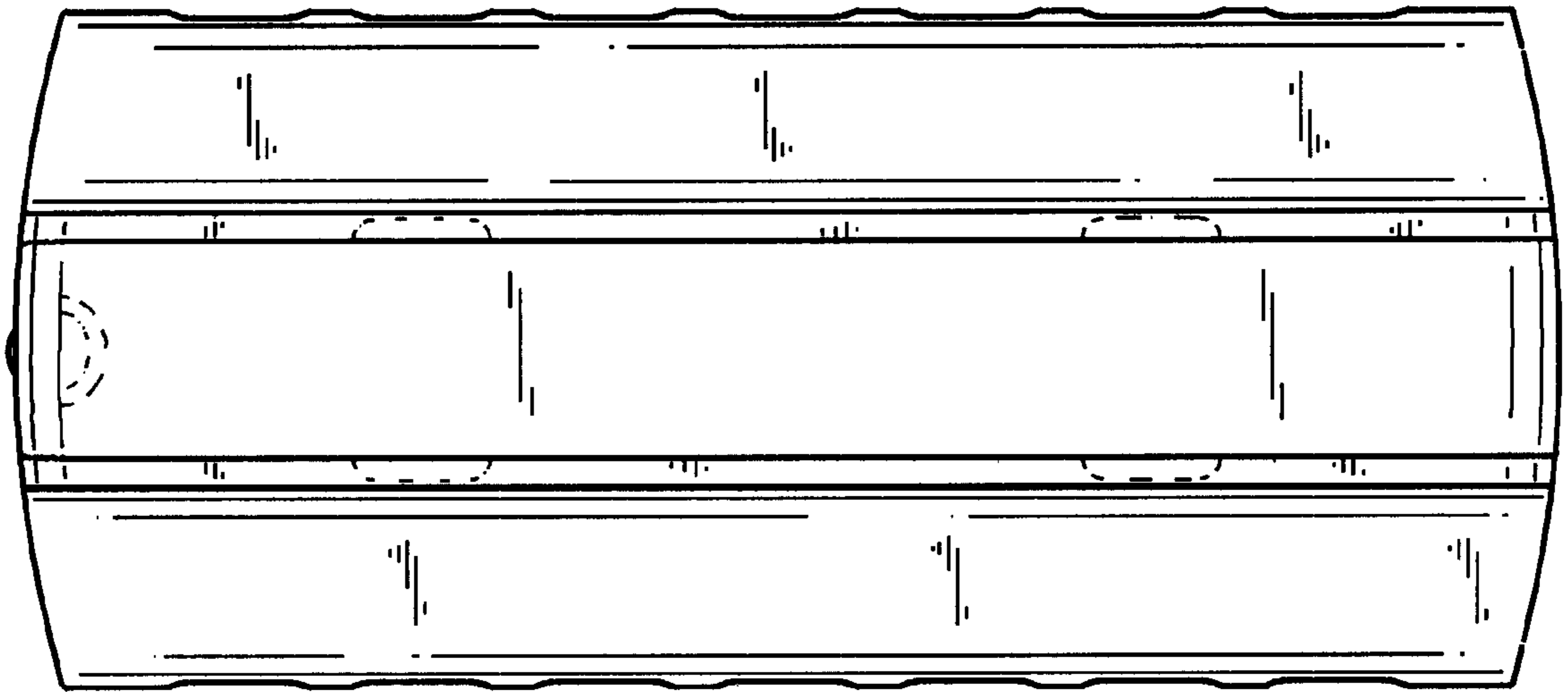


FIG. 6

