



US00D480076S

(12) **United States Design Patent**
Nose et al.

(10) **Patent No.: US D480,076 S**

(45) **Date of Patent: ** Sep. 30, 2003**

(54) **COMBINED RADIO RECEIVER, MUSIC TAPE PLAYER AND DIGITAL AUDIO DISC PLAYER FOR AUTOMOBILE**

(75) Inventors: **Hiroyuki Nose**, Kanagawa (JP); **Kan Hayashida**, Aichi (JP)

(73) Assignees: **Matsushita Electric Industrial Co., Ltd.**, Osaka (JP); **Toyota Motor Corporation**, Aichi (JP)

(**) Term: **14 Years**

(21) Appl. No.: **29/166,208**

(22) Filed: **Aug. 22, 2002**

(30) **Foreign Application Priority Data**

Feb. 22, 2002	(JP)	2002-004543
Feb. 22, 2002	(JP)	2002-004544
Feb. 22, 2002	(JP)	2002-004545
Feb. 22, 2002	(JP)	2002-004546

(51) **LOC (7) Cl.** **14-01**

(52) **U.S. Cl.** **D14/258**

(58) **Field of Search** D14/135-136,
D14/156-157, 167-168, 188, 193-198,
257-258, 160-164; 369/75.1, 75.2, 77.1,
77.2; 455/344, 347, 350-351

(56) **References Cited**

U.S. PATENT DOCUMENTS

D279,000	S	*	5/1985	Sarges	D14/157
D313,023	S	*	12/1990	Kolenda et al.	D14/258
D391,259	S	*	2/1998	Ito et al.	D14/188
5,862,468	A	*	1/1999	Kim	455/321
D430,552	S	*	9/2000	Nose	D14/157
D442,571	S	*	5/2001	Nose	D14/157
D444,146	S	*	6/2001	Weiland et al.	D14/258

FOREIGN PATENT DOCUMENTS

JP 1123260 10/2001

* cited by examiner

Primary Examiner—Nanda Bondade

(74) *Attorney, Agent, or Firm*—Christensen O'Connor Johnson Kindness PLLC

(57) **CLAIM**

The ornamental design for a combined radio receiver, music tape player and digital audio disc player for automobile, as shown and described.

DESCRIPTION

FIG. 1 is a perspective view of the top, front and right side

of combined radio receiver, music tape player and digital audio disc player for automobile showing our new design;

FIG. 2 is a front view thereof;

FIG. 3 is a right side view thereof;

FIG. 4 is a left side view thereof;

FIG. 5 is a rear view thereof;

FIG. 6 is a top plan view thereof;

FIG. 7 is a bottom plan view thereof;

FIG. 8 is a perspective view of the top, front and right side of combined radio receiver, music tape player and digital audio disc player for automobile showing our new design of second embodiment;

FIG. 9 is a front view thereof;

FIG. 10 is a right side view thereof;

FIG. 11 is a left side view thereof;

FIG. 12 is a rear view thereof;

FIG. 13 is a top plan view thereof;

FIG. 14 is a bottom plan view thereof;

FIG. 15 is a perspective view of the top, front and right side of combined radio receiver, music tape player and digital audio disc player for automobile showing our new design of third embodiment;

FIG. 16 is a front view thereof;

FIG. 17 is a right side view thereof;

FIG. 18 is a left side view thereof;

FIG. 19 is a rear view thereof;

FIG. 20 is a top plan view thereof;

FIG. 21 is a bottom plan view thereof;

FIG. 22 is a perspective view of the top, front and right side of combined radio receiver, music tape player and digital audio disc player for automobile showing our new design of fourth embodiment;

FIG. 23 is a front view thereof;

FIG. 24 is a right side view thereof;

FIG. 25 is a left side view thereof;

FIG. 26 is a rear view thereof;

FIG. 27 is a top plan view thereof; and,

FIG. 28 is a bottom plan view thereof.

1 Claim, 16 Drawing Sheets

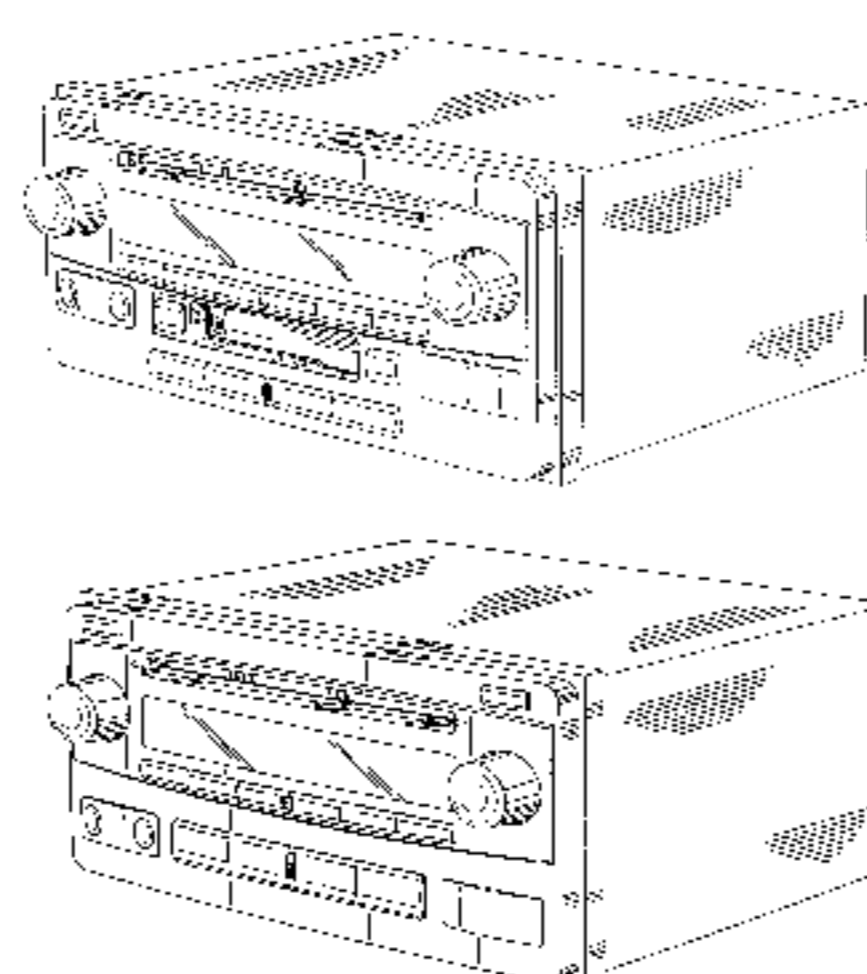


FIG. 1

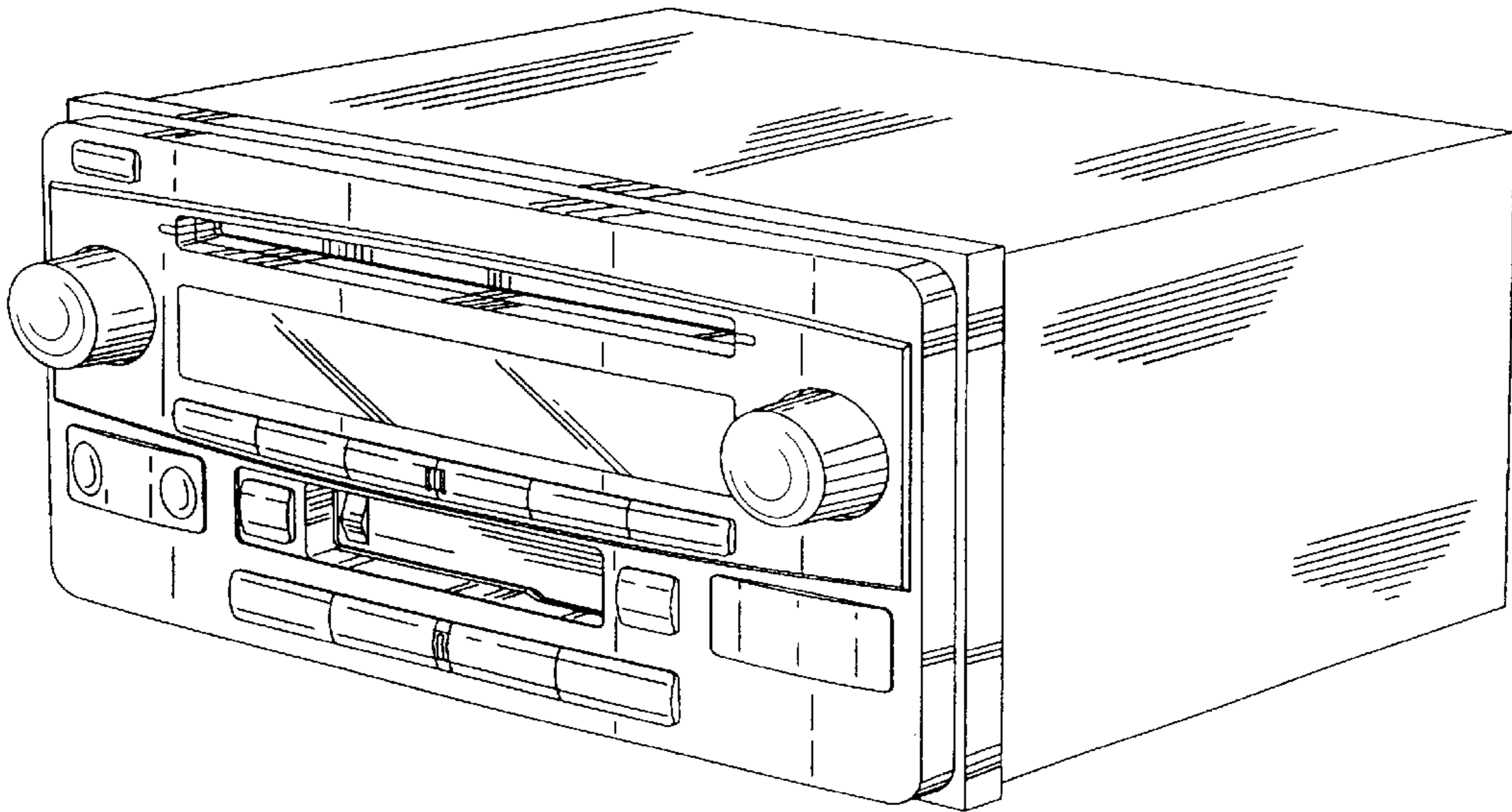


FIG. 2

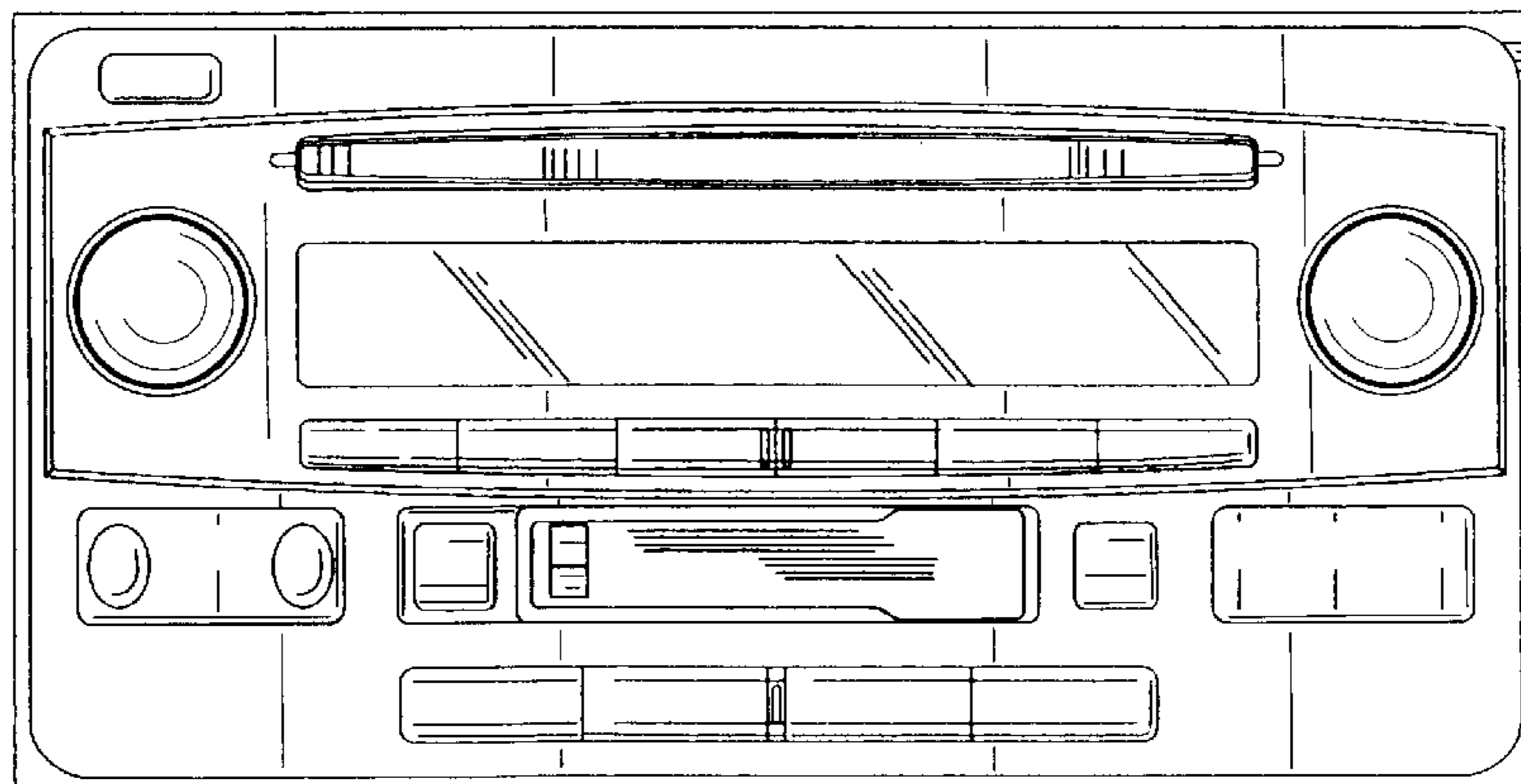


FIG. 3

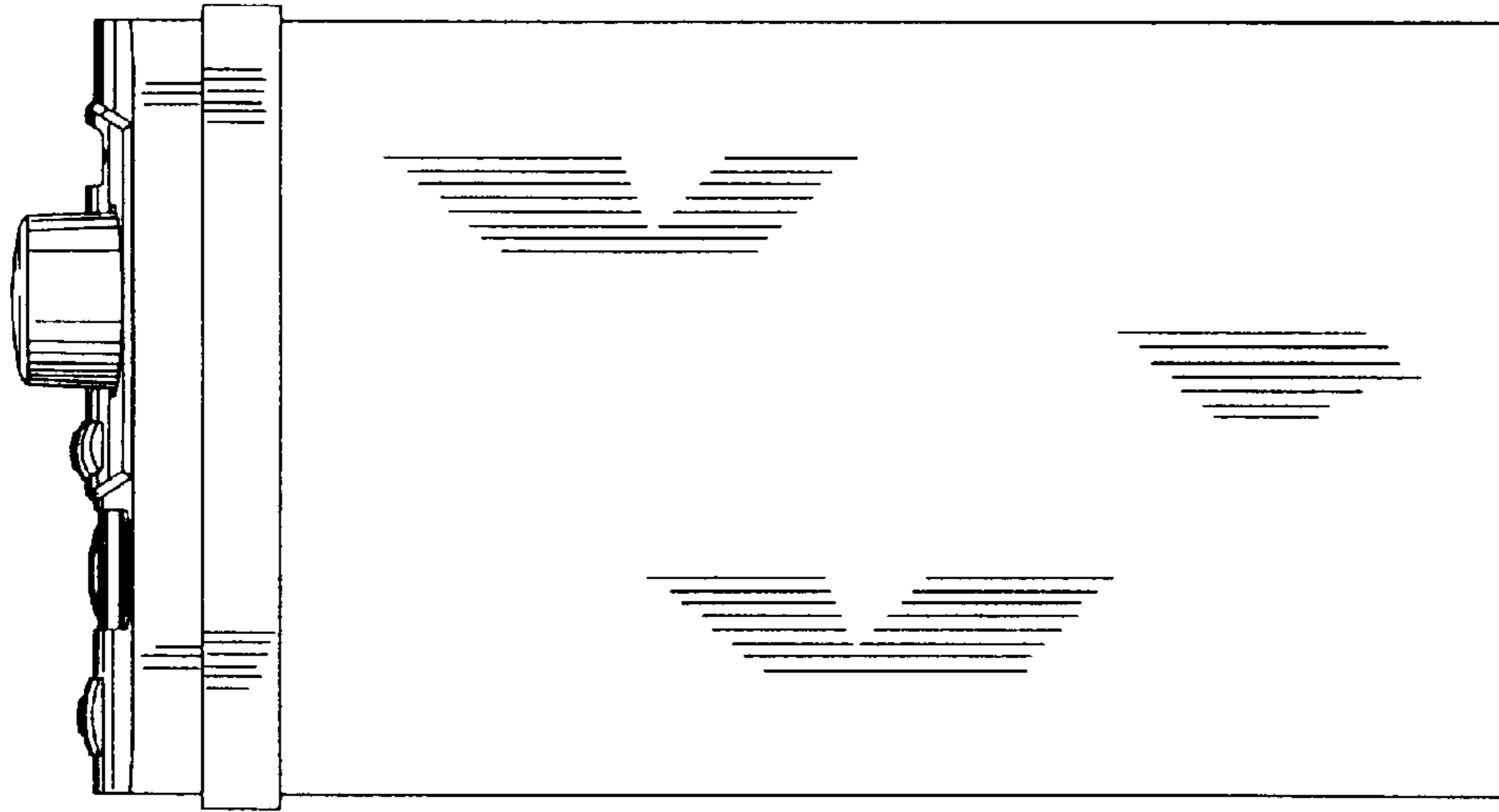


FIG. 4

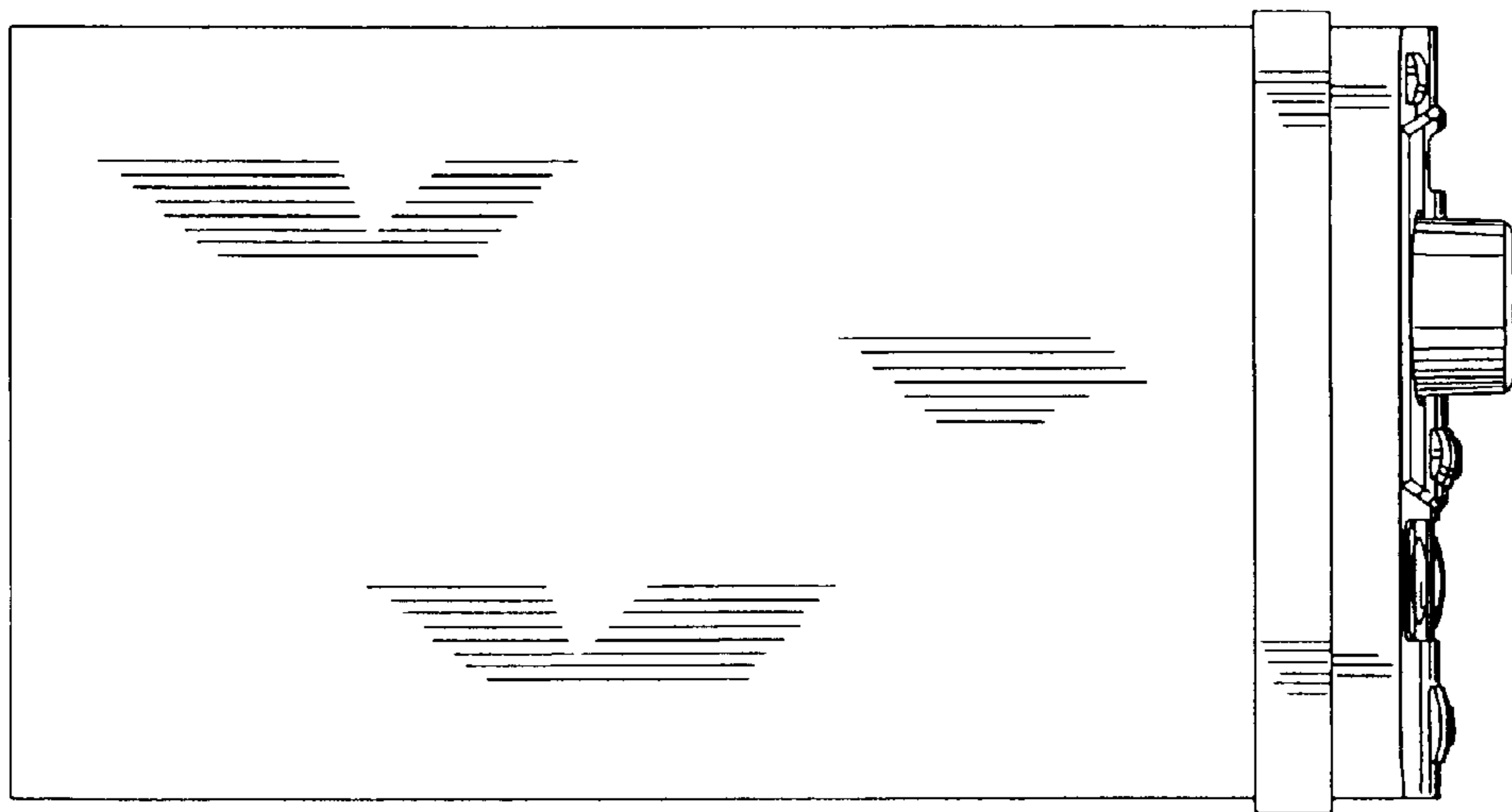


FIG. 5

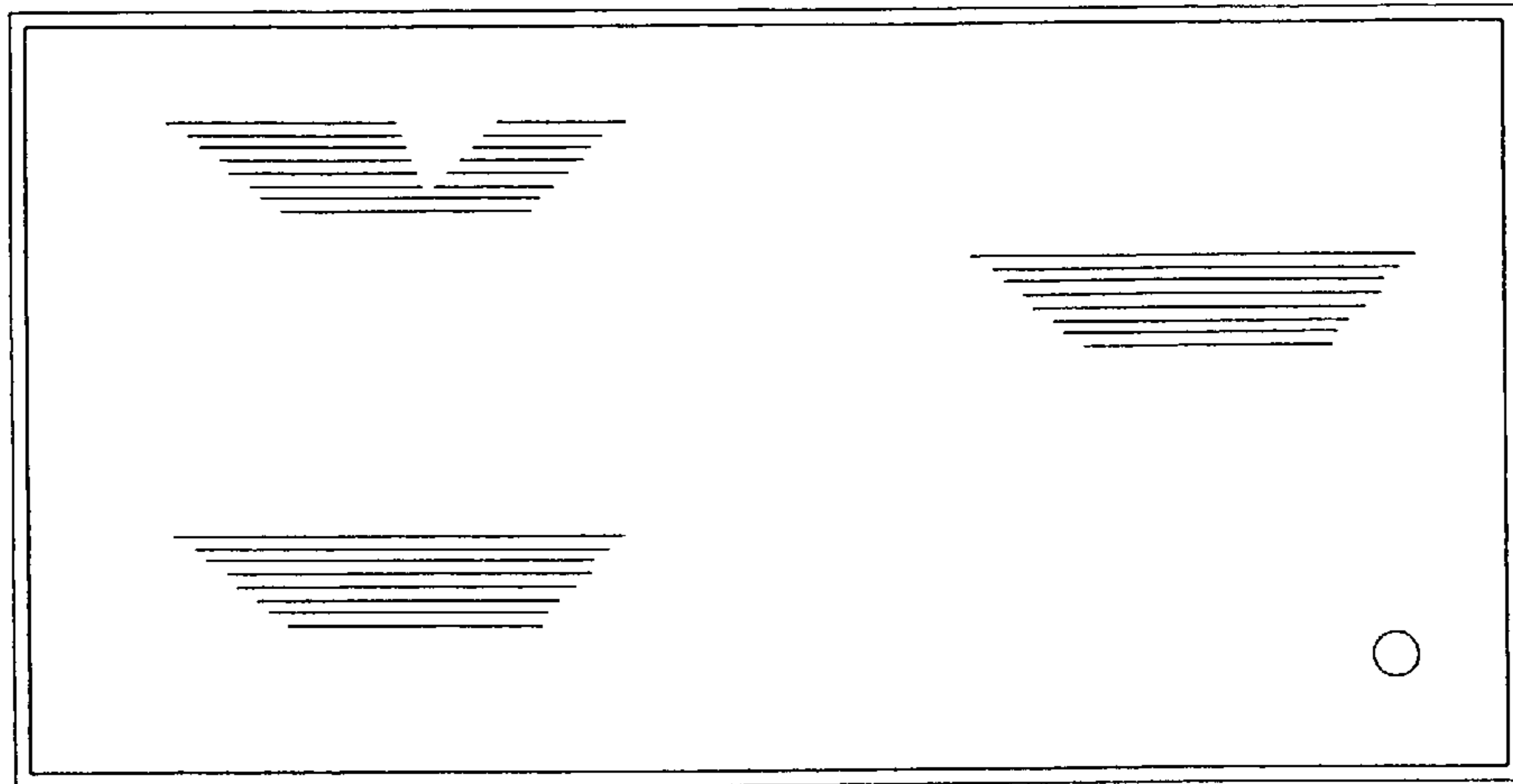


FIG. 6

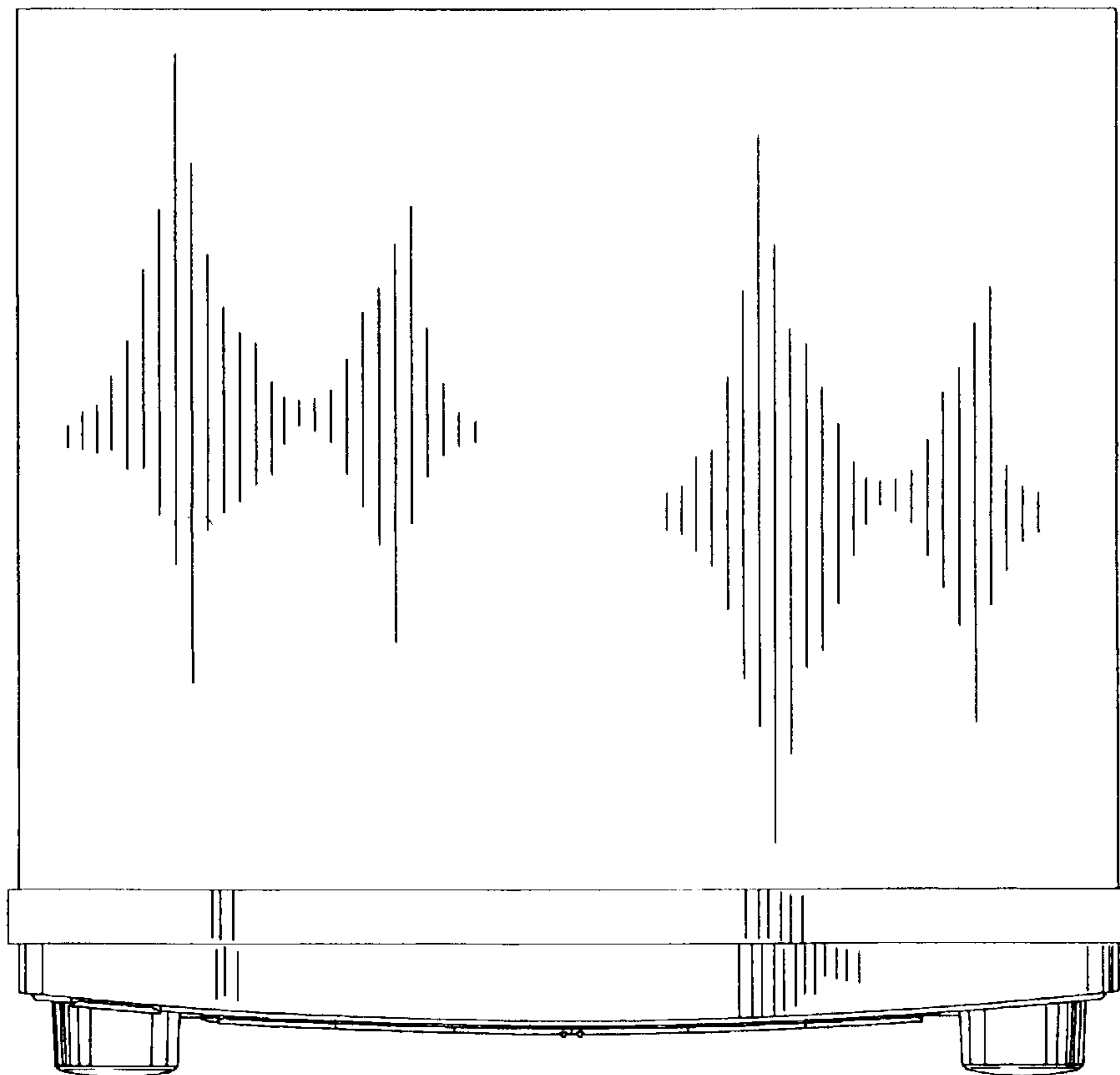


FIG. 7

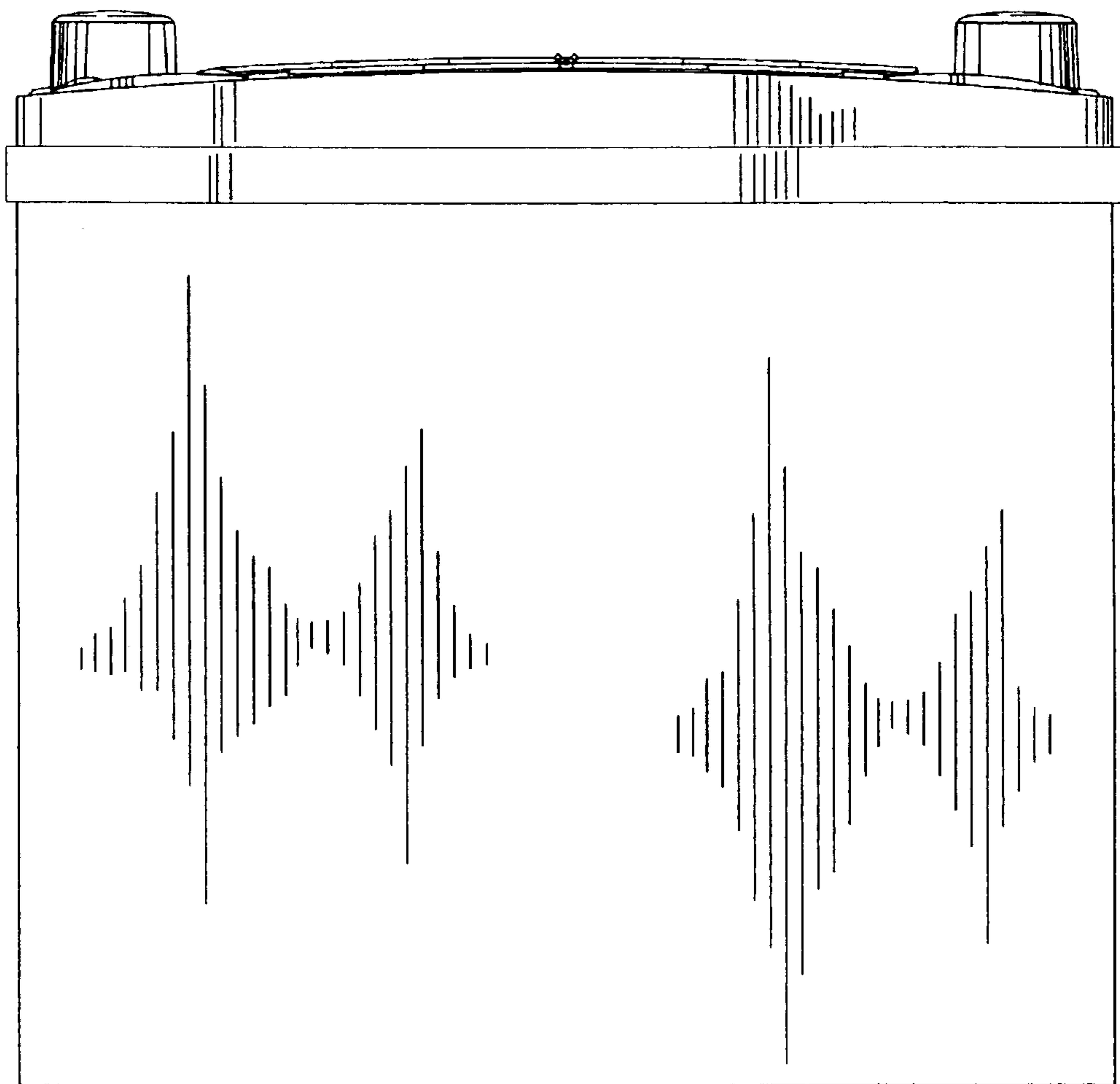


FIG. 8

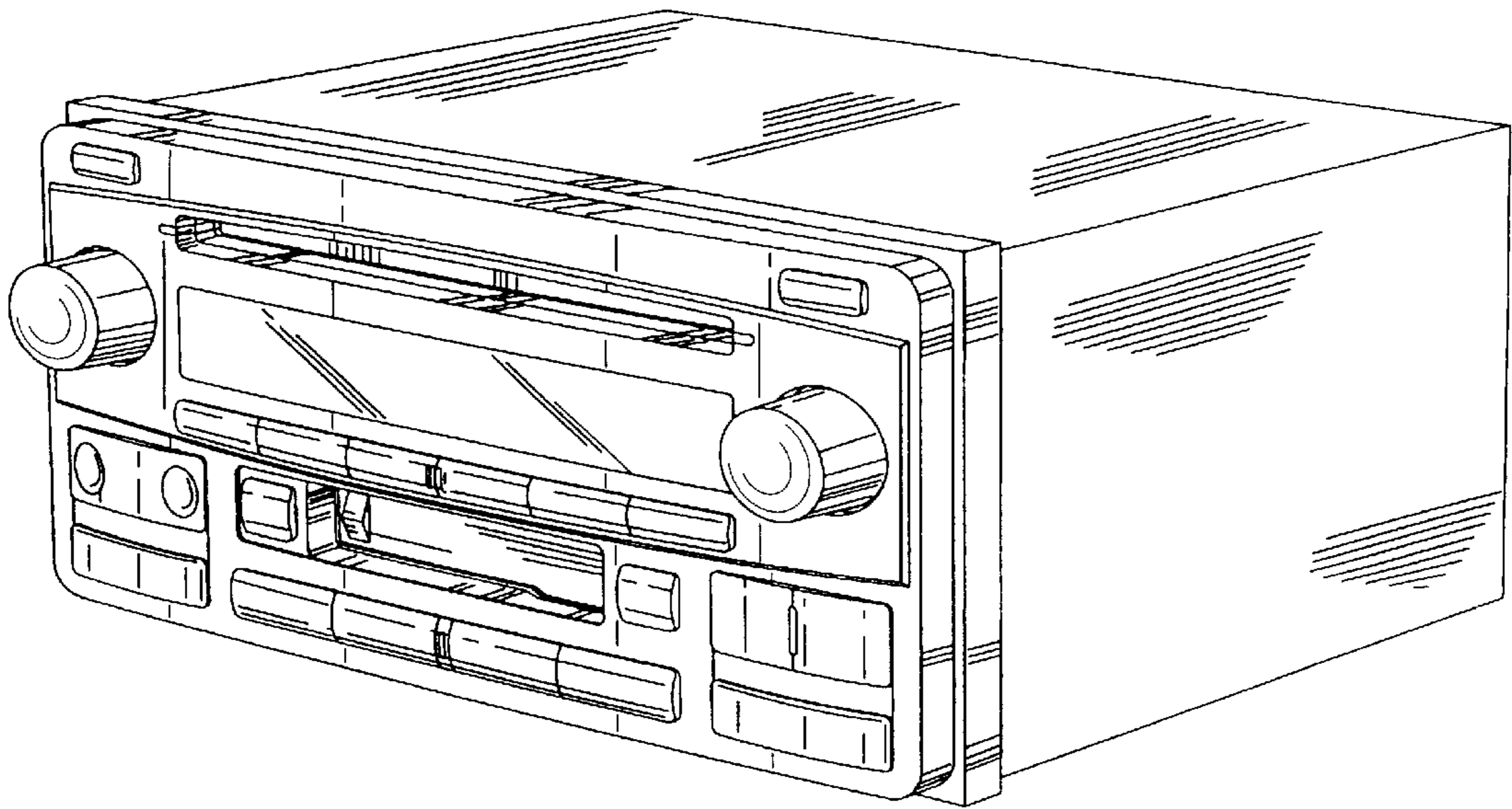


FIG. 9

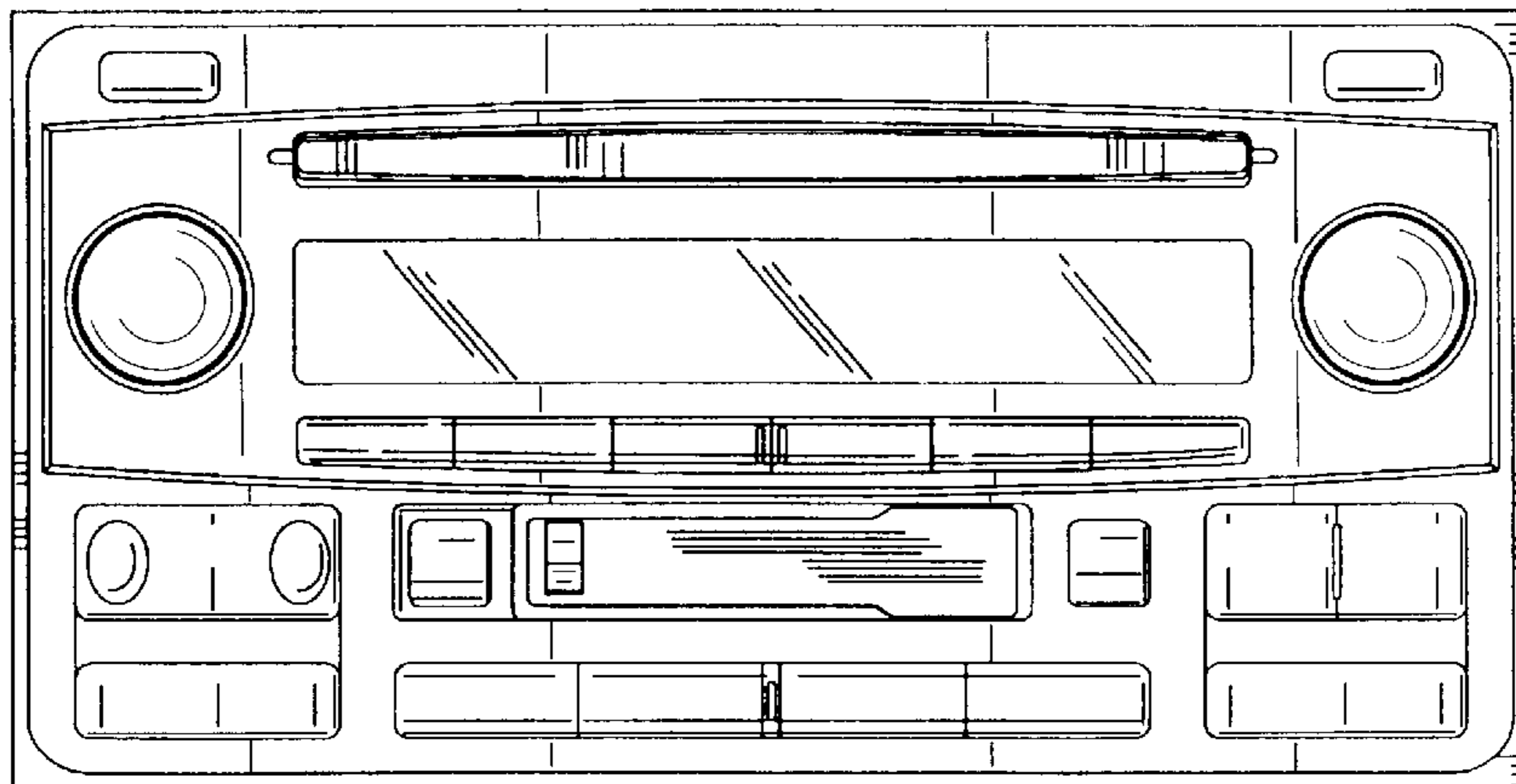


FIG. 10

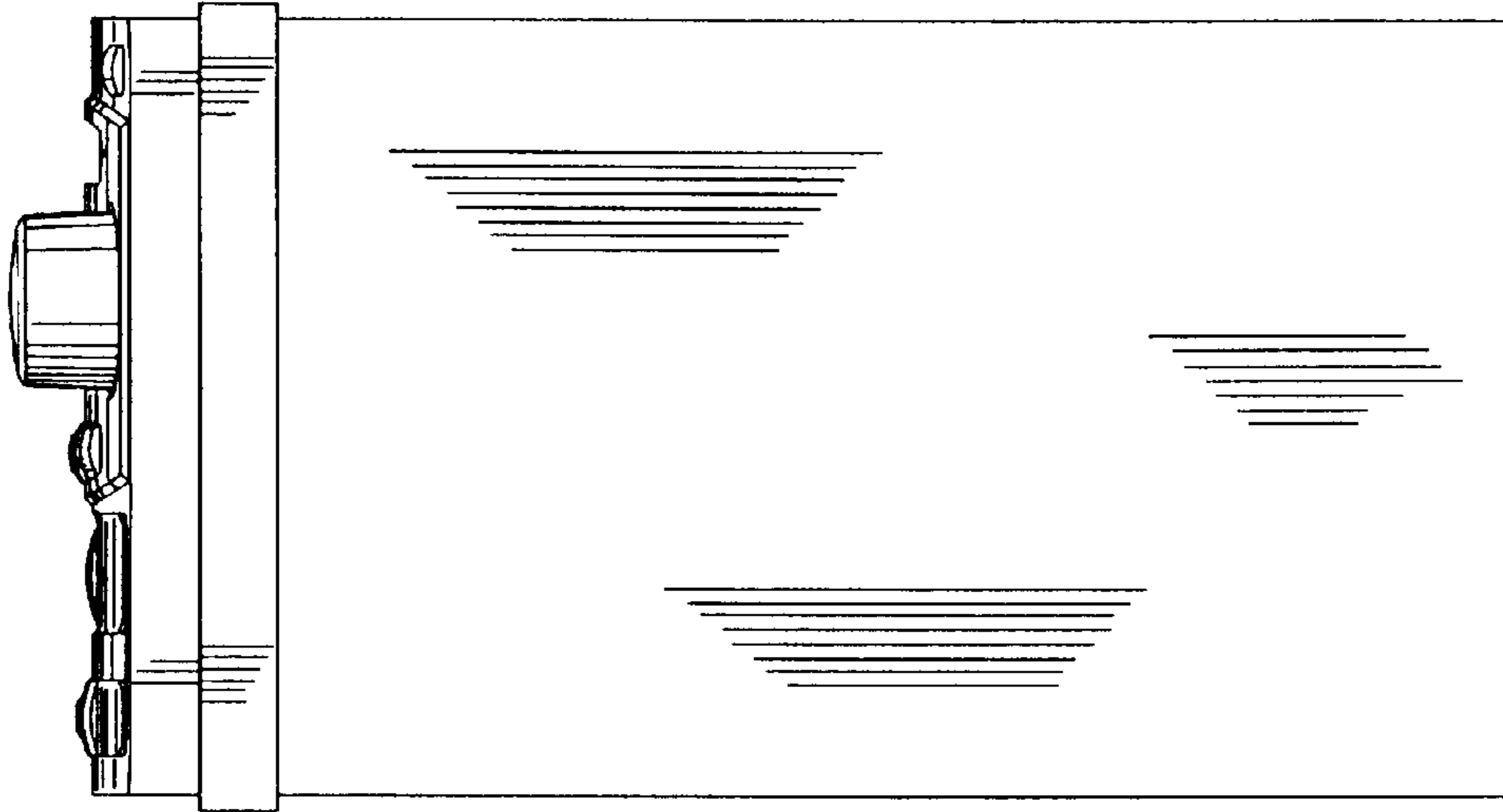


FIG. 11

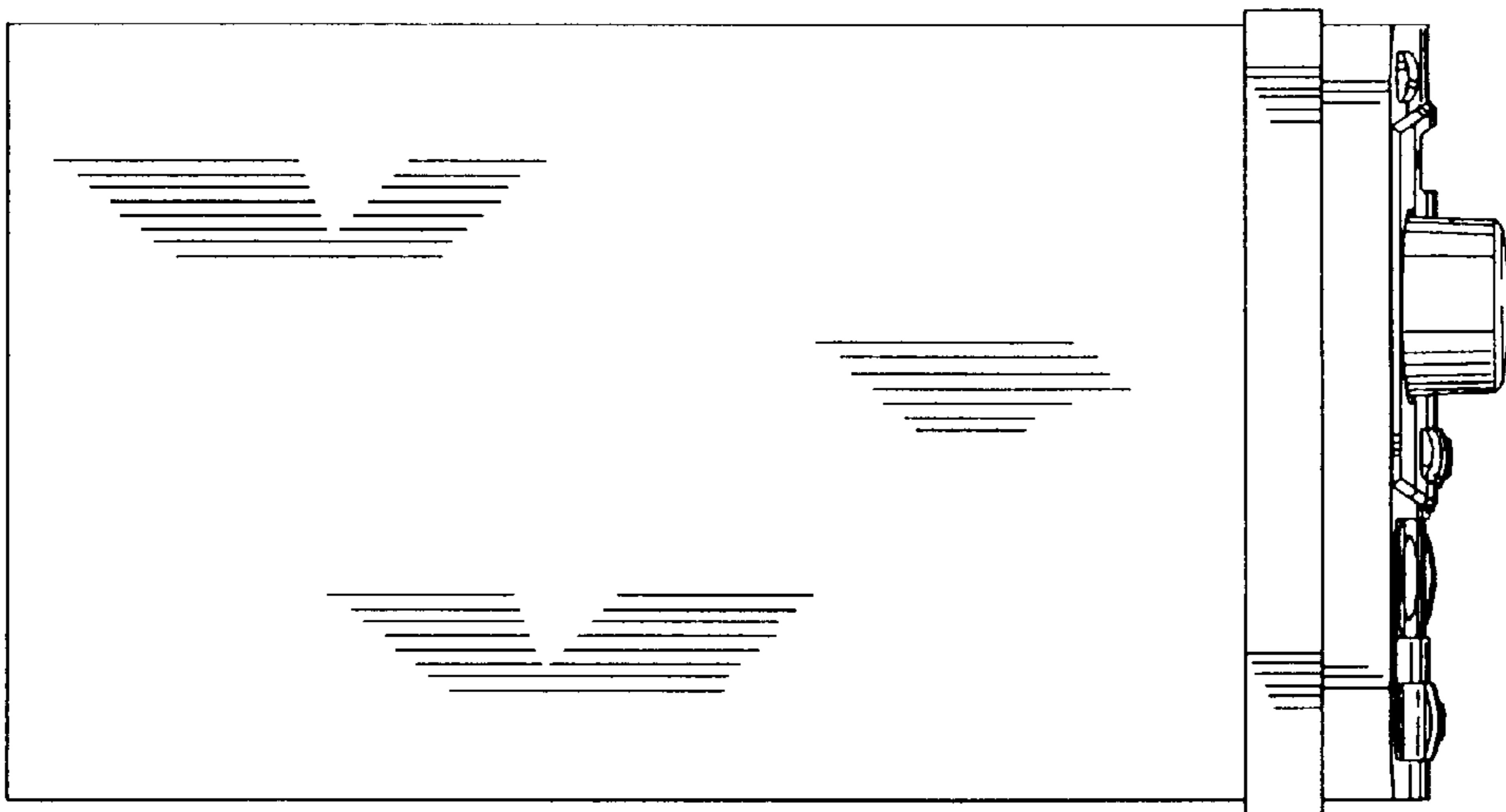


FIG. 12

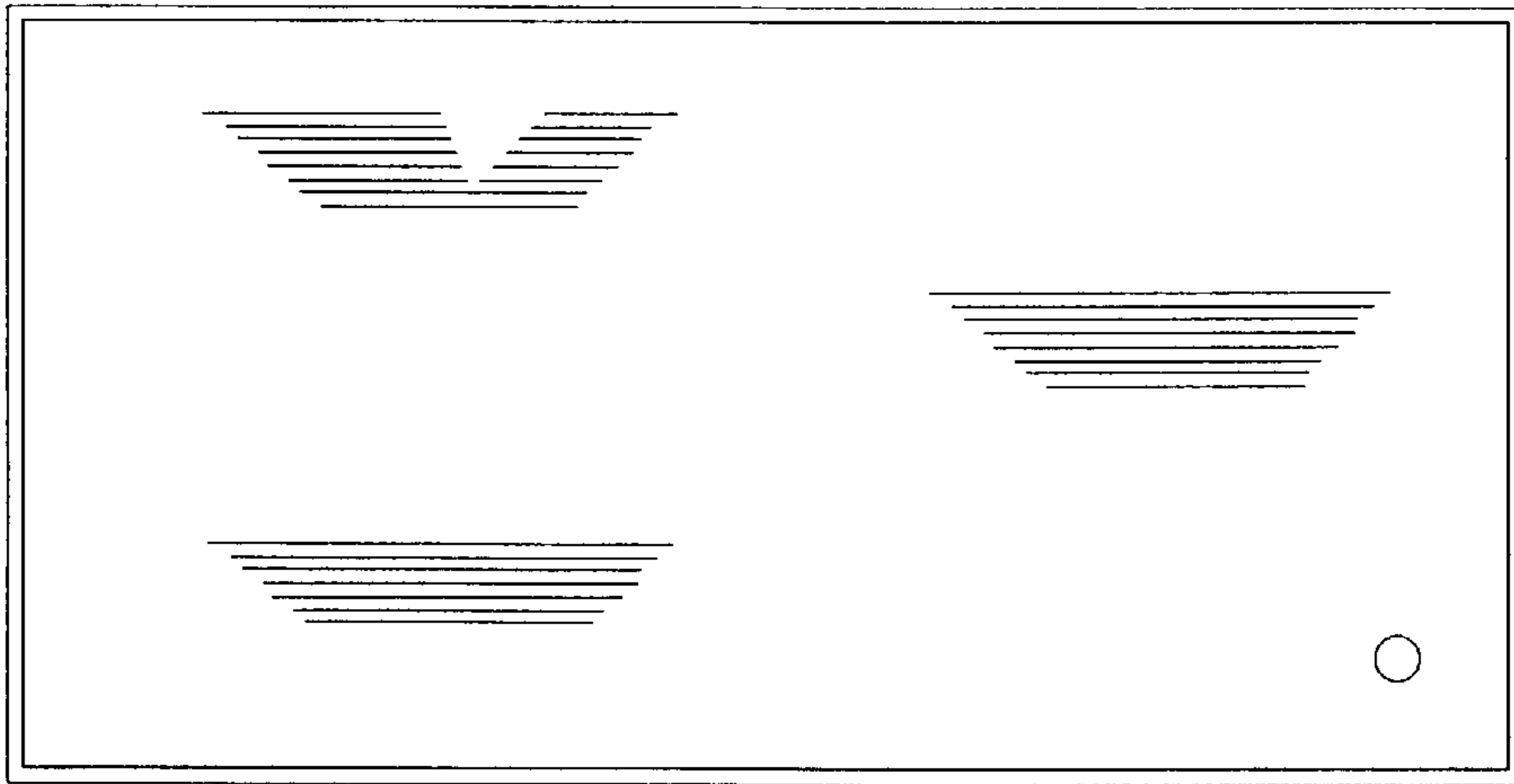


FIG. 13

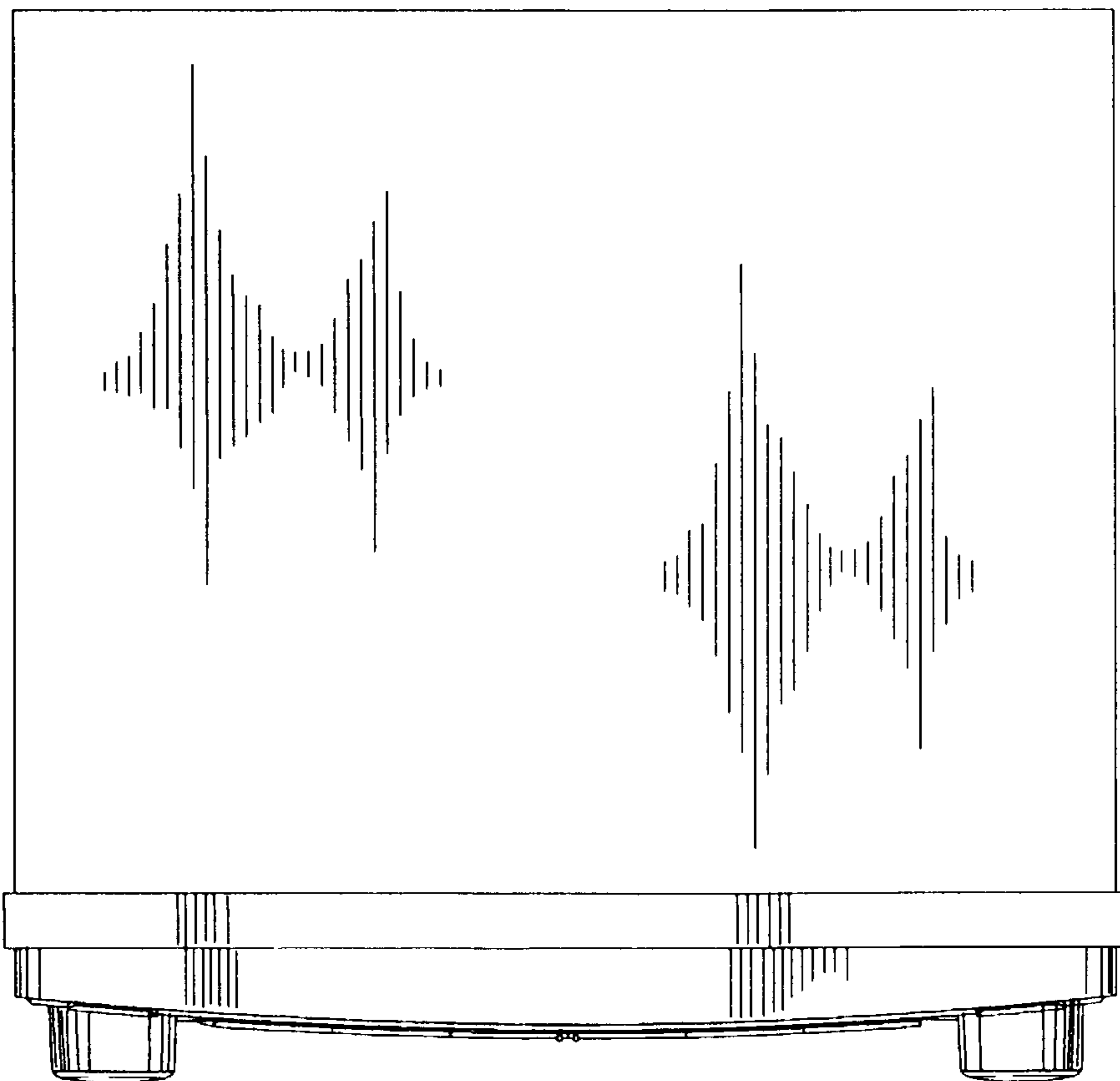


FIG. 14

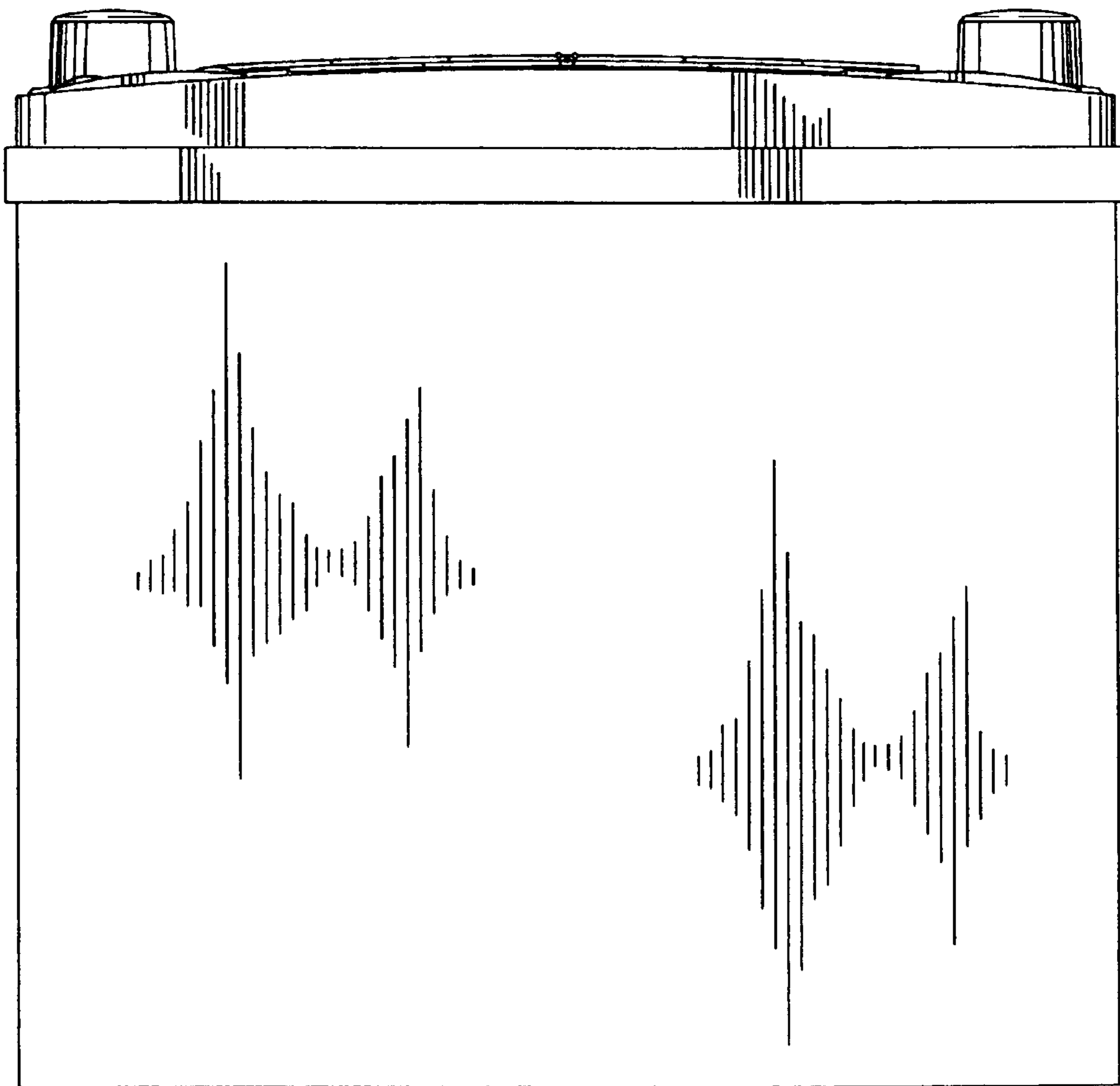


FIG. 15

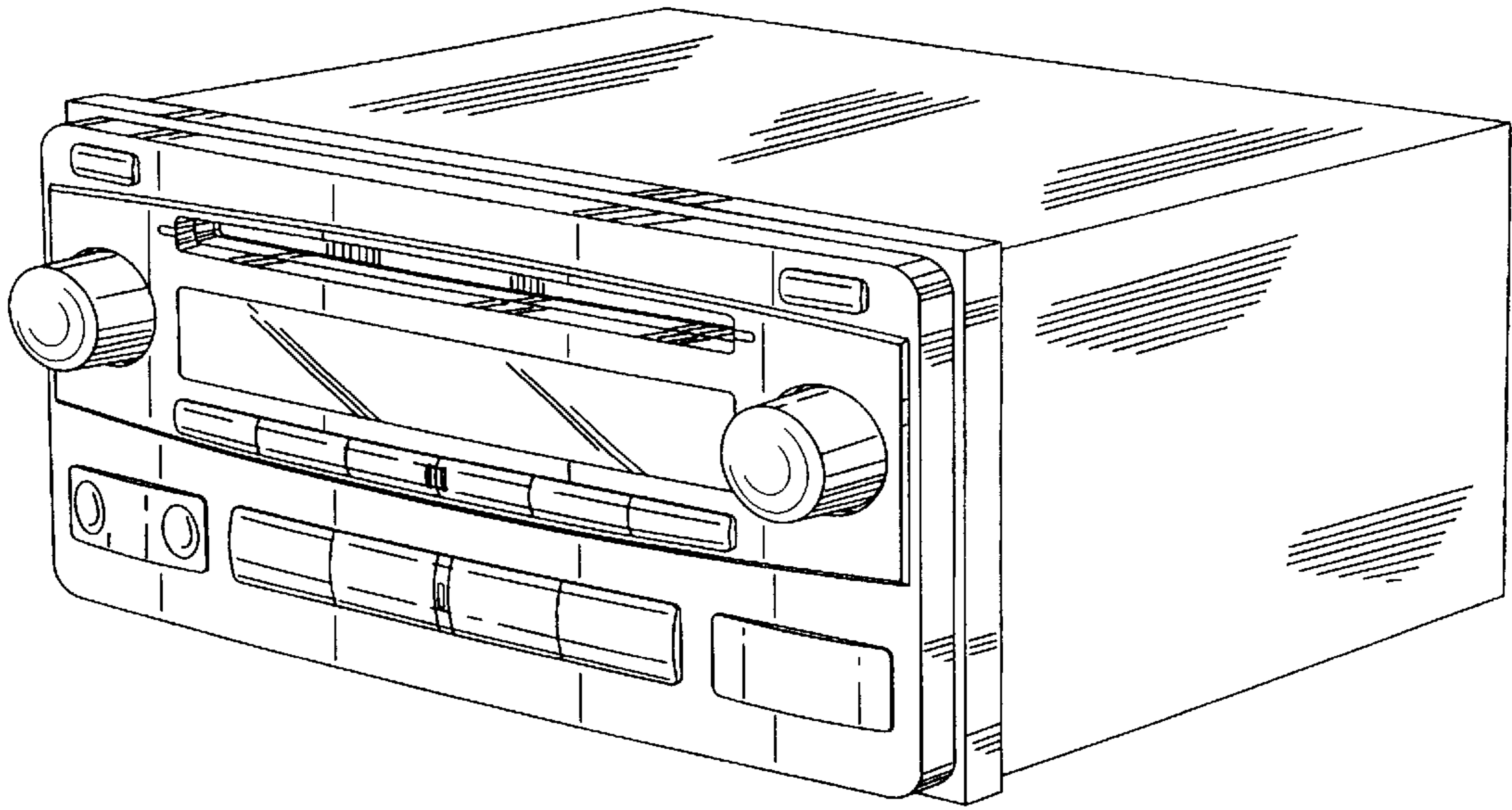


FIG. 16

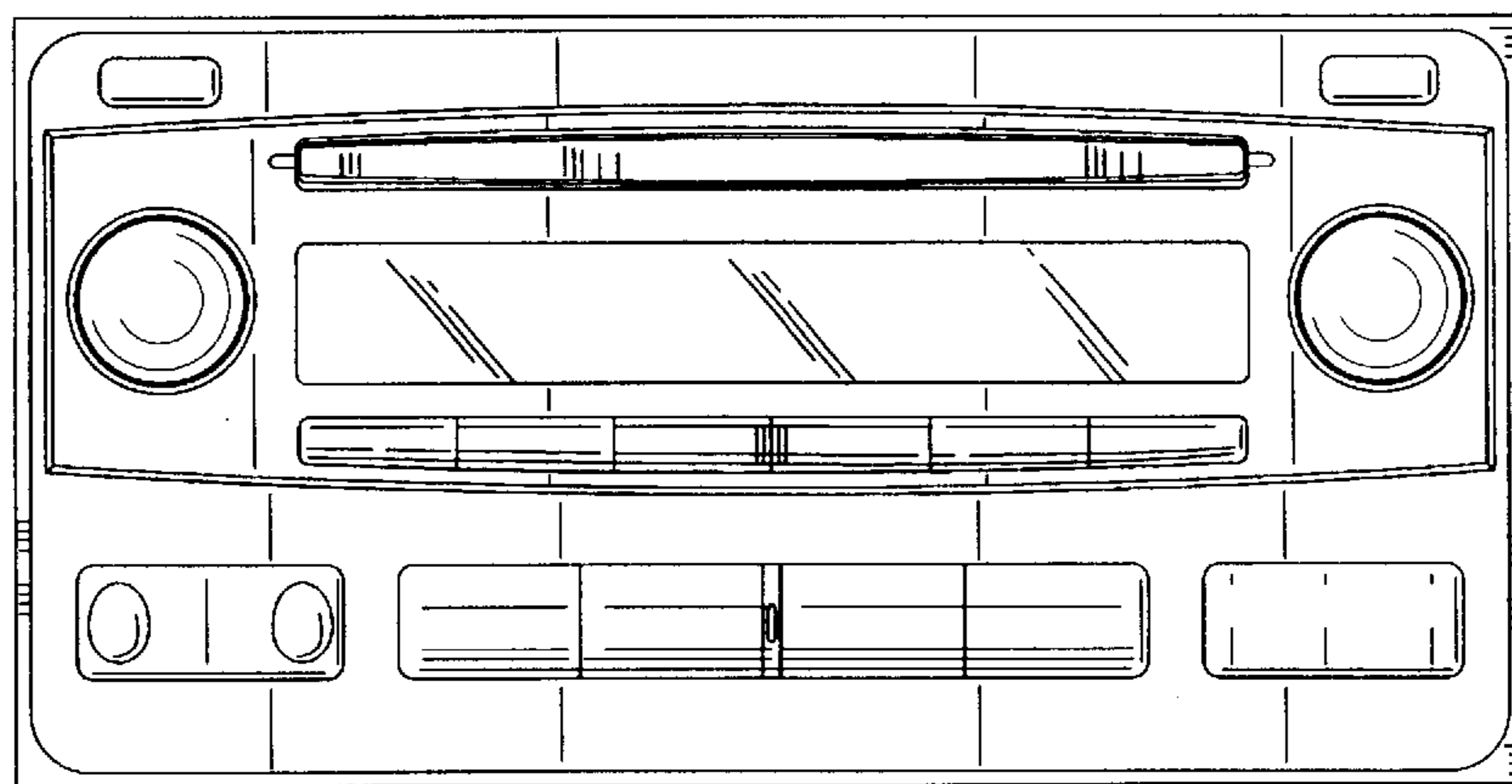


FIG. 17

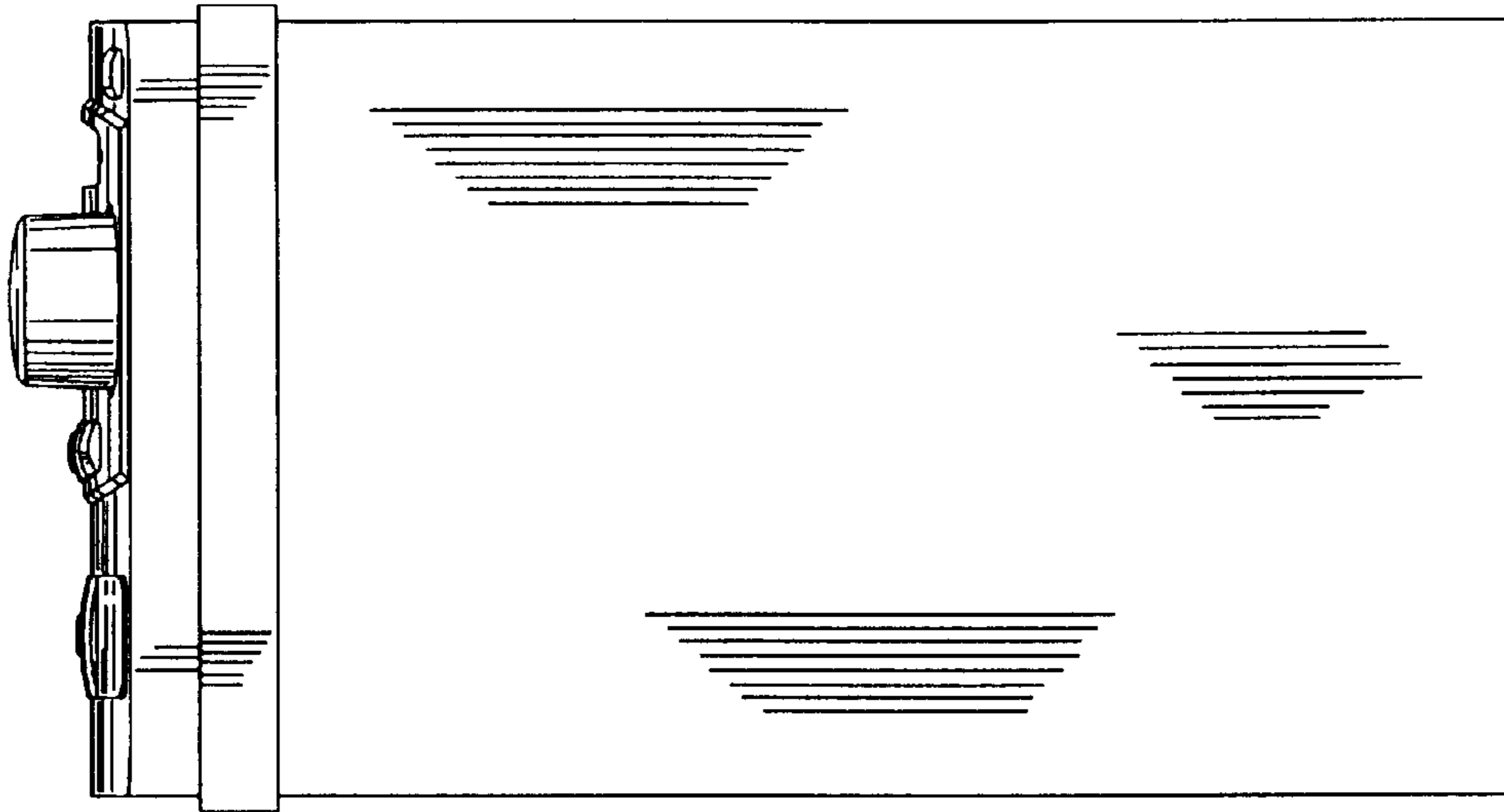


FIG. 18

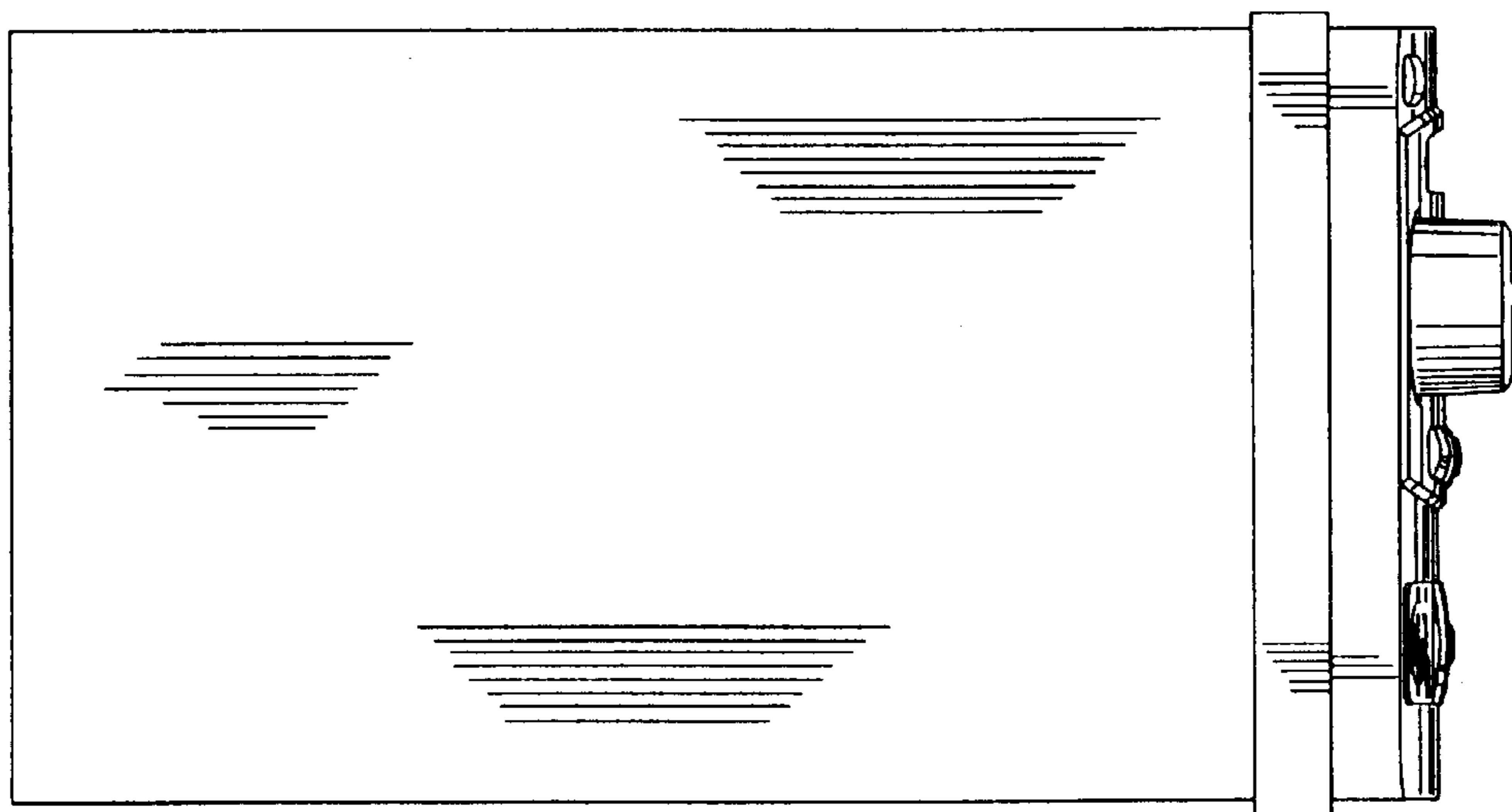


FIG. 19

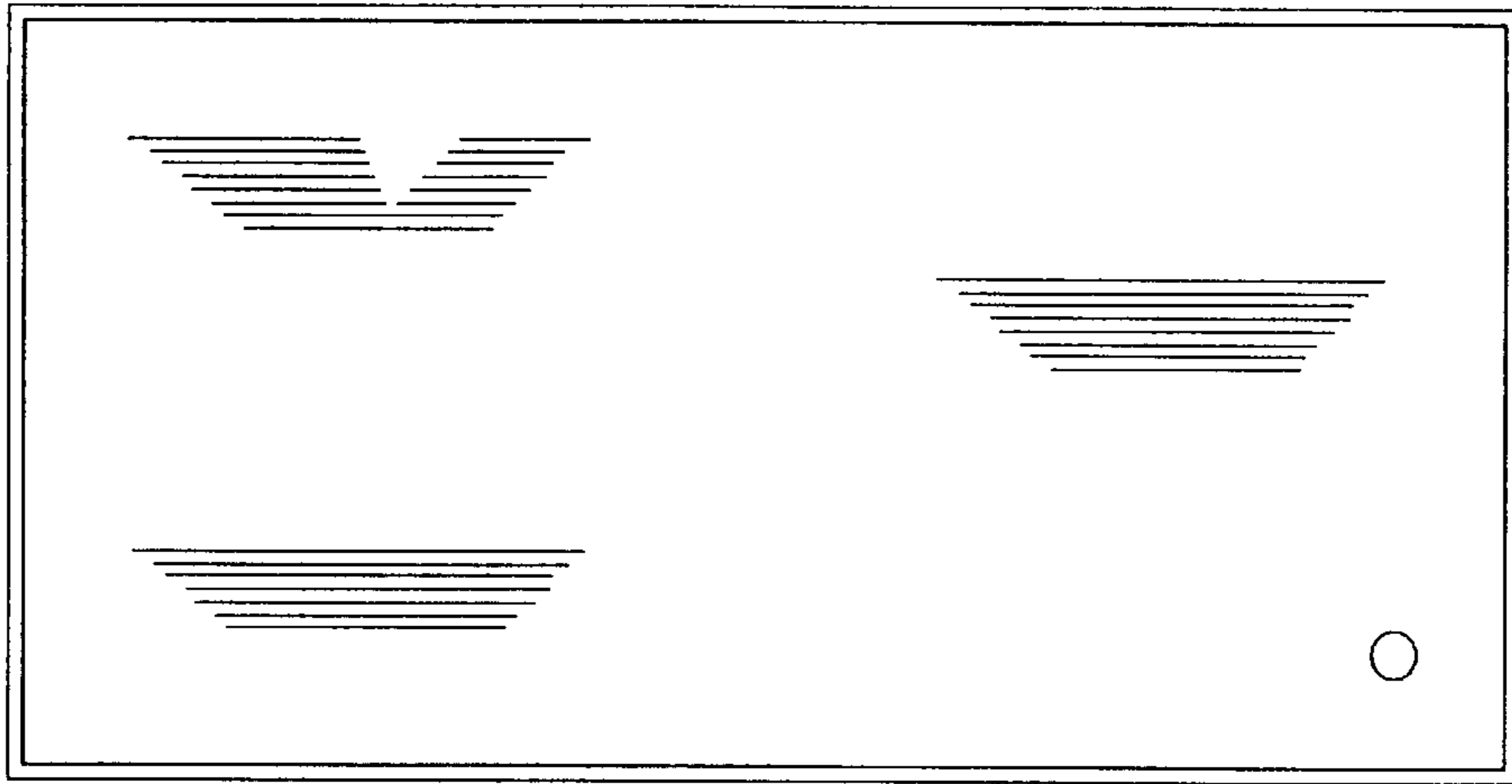


FIG. 20

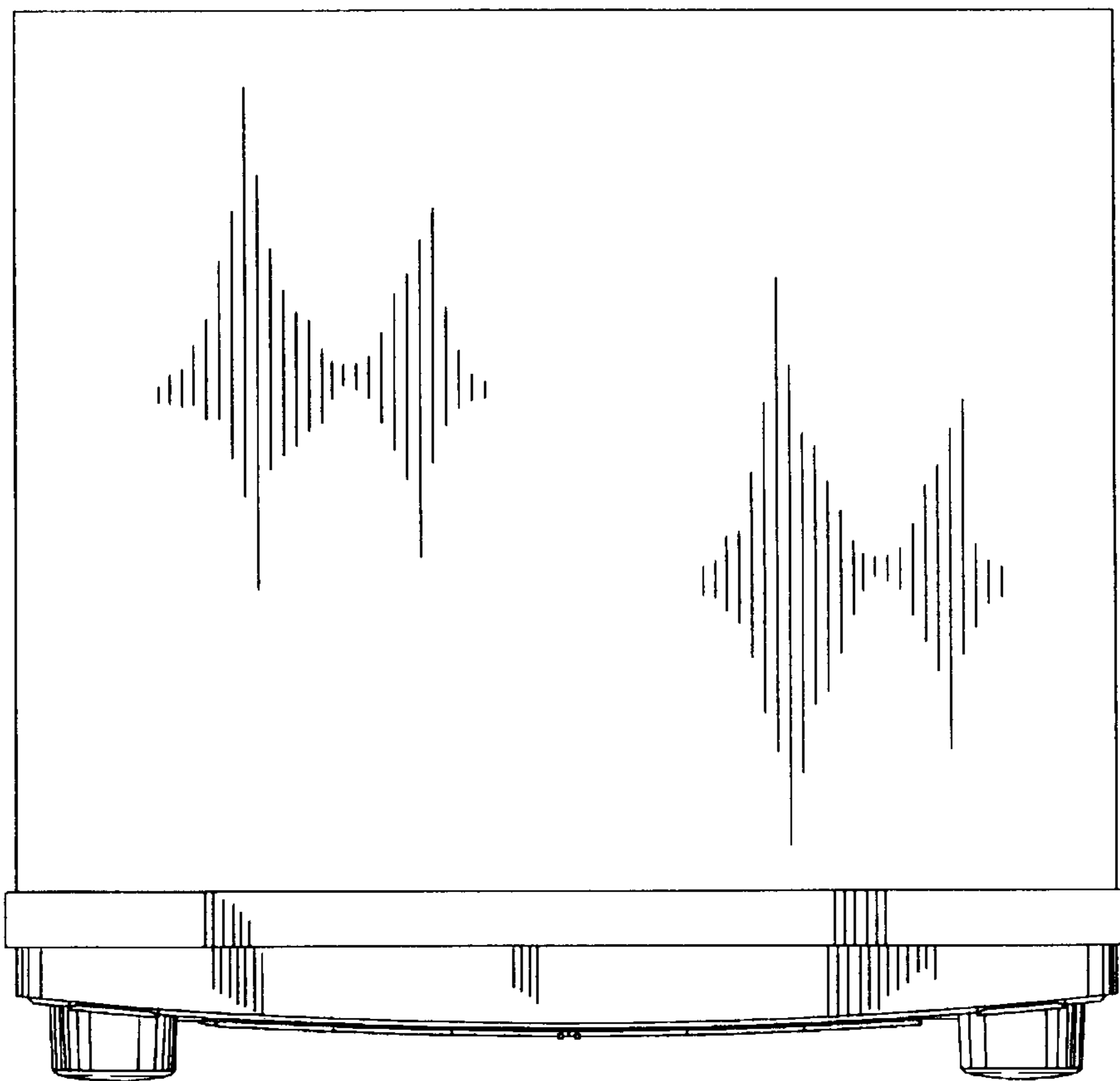


FIG. 21

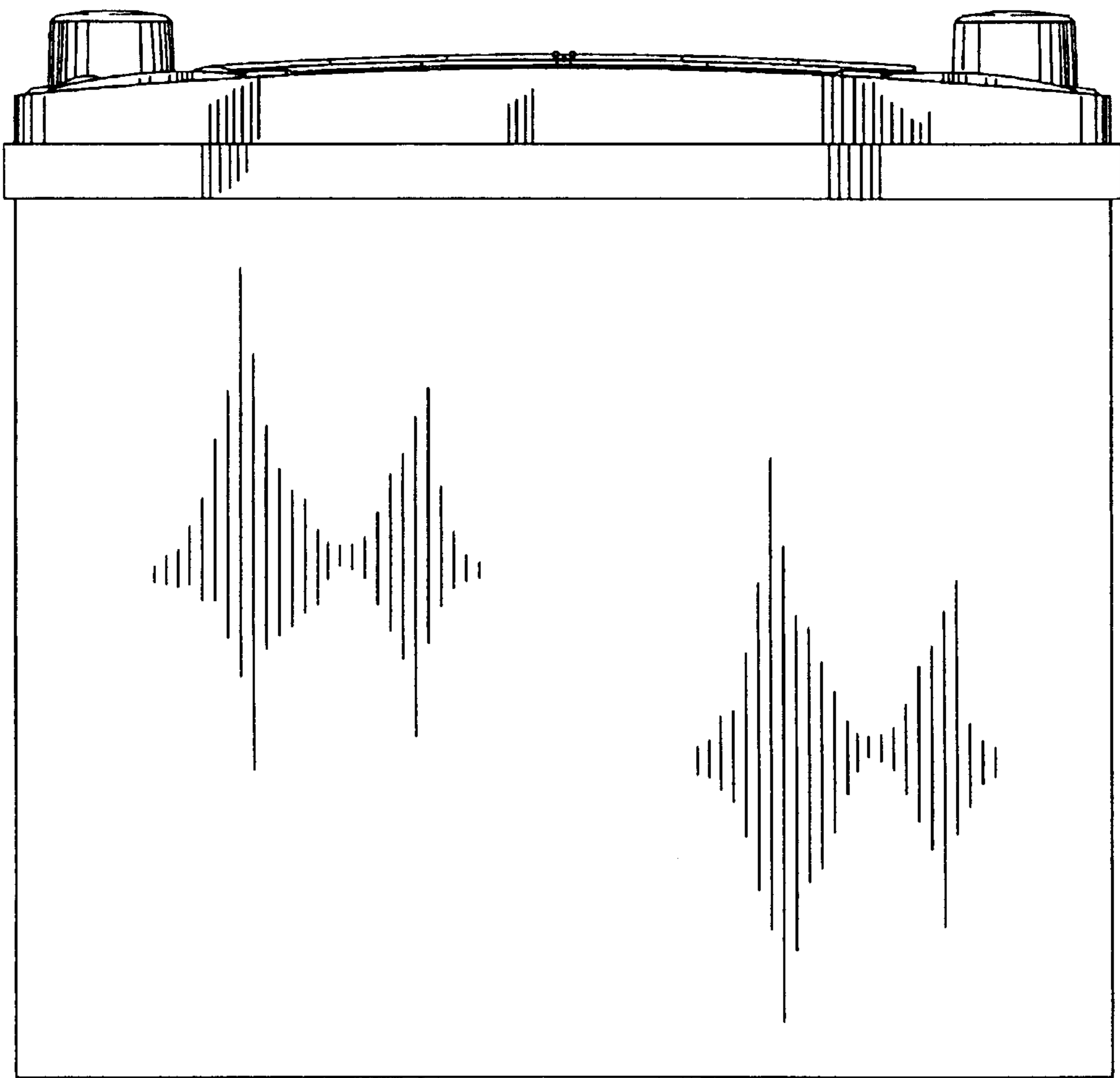


FIG. 22

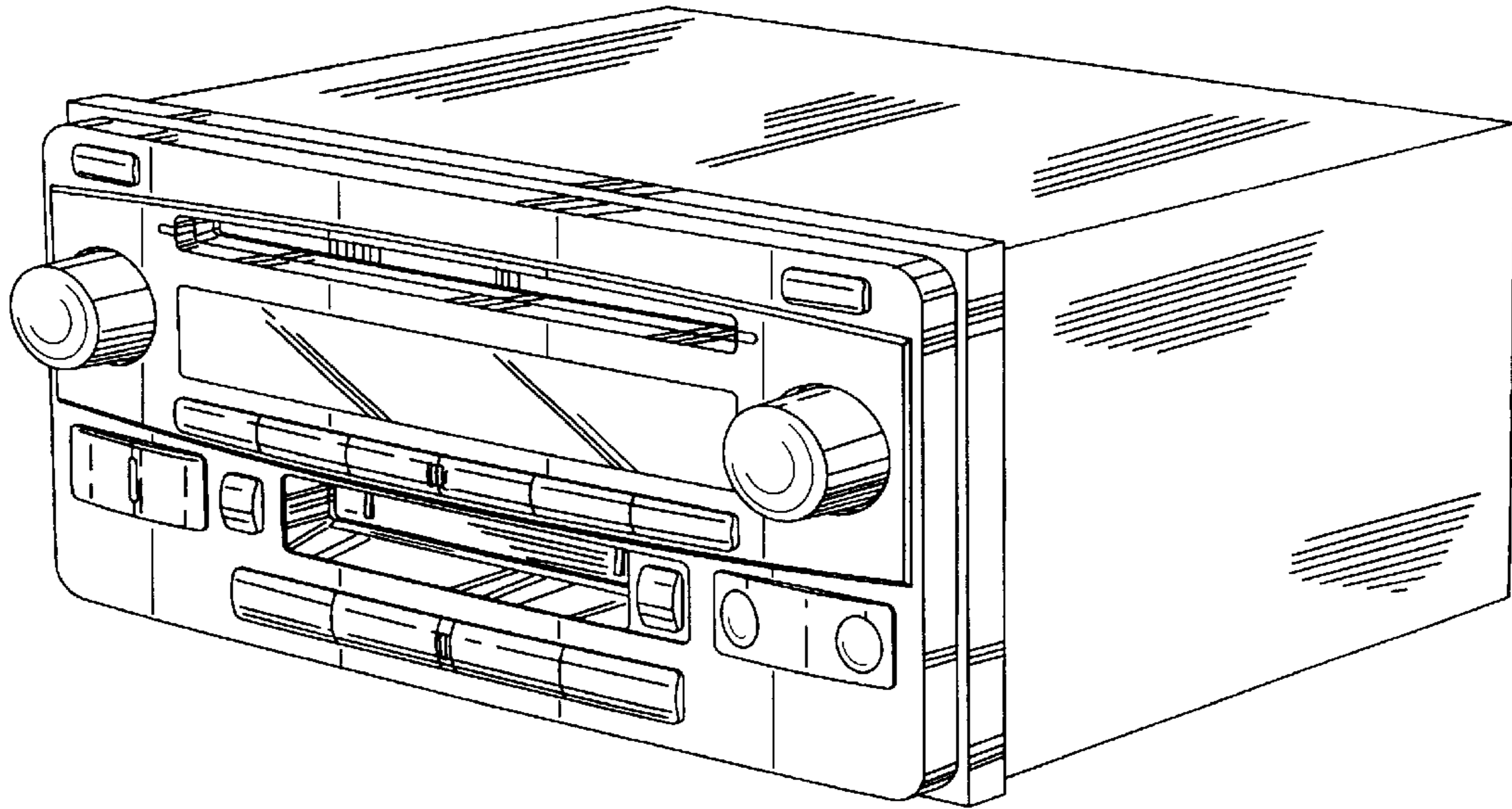


FIG. 23

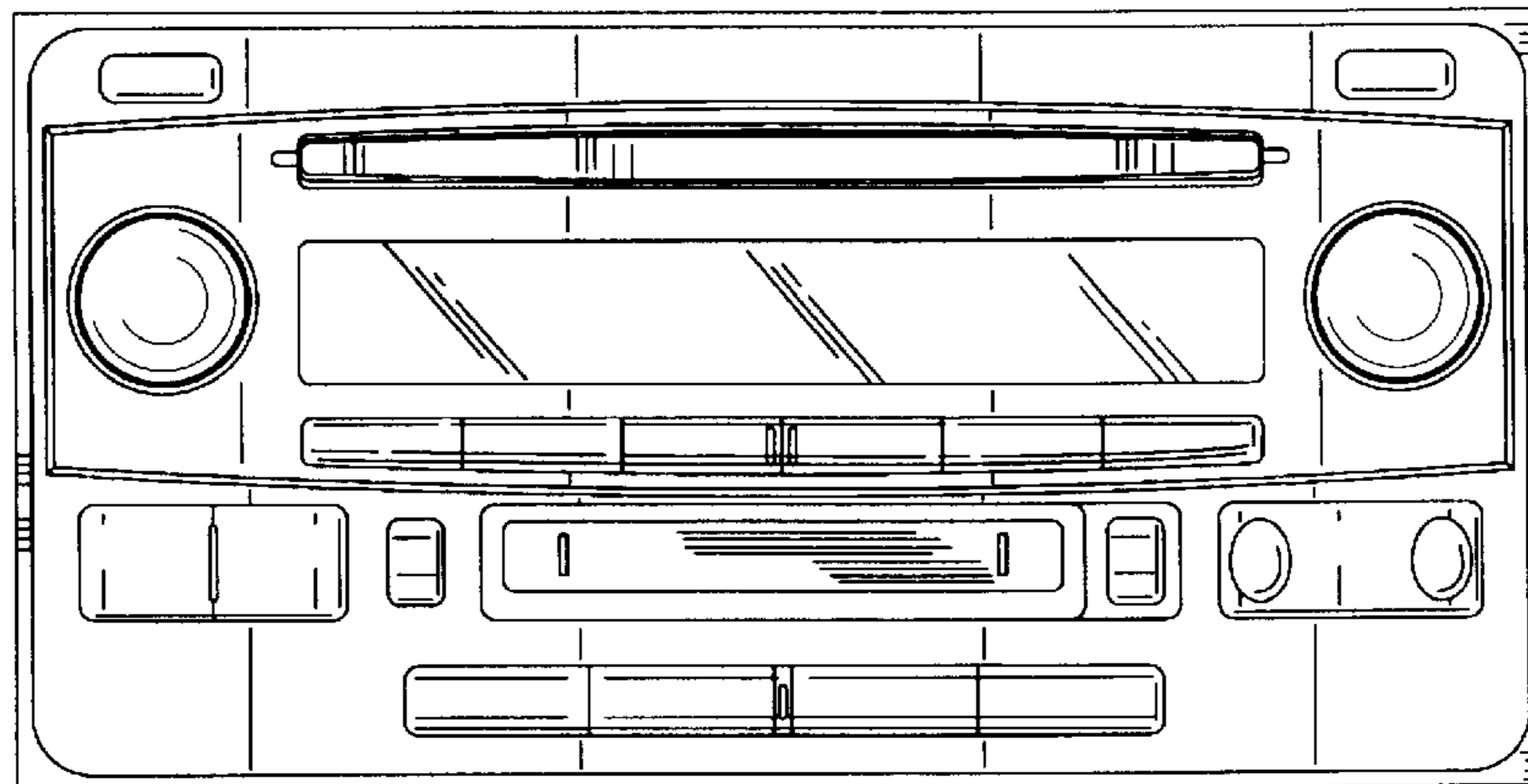


FIG. 24

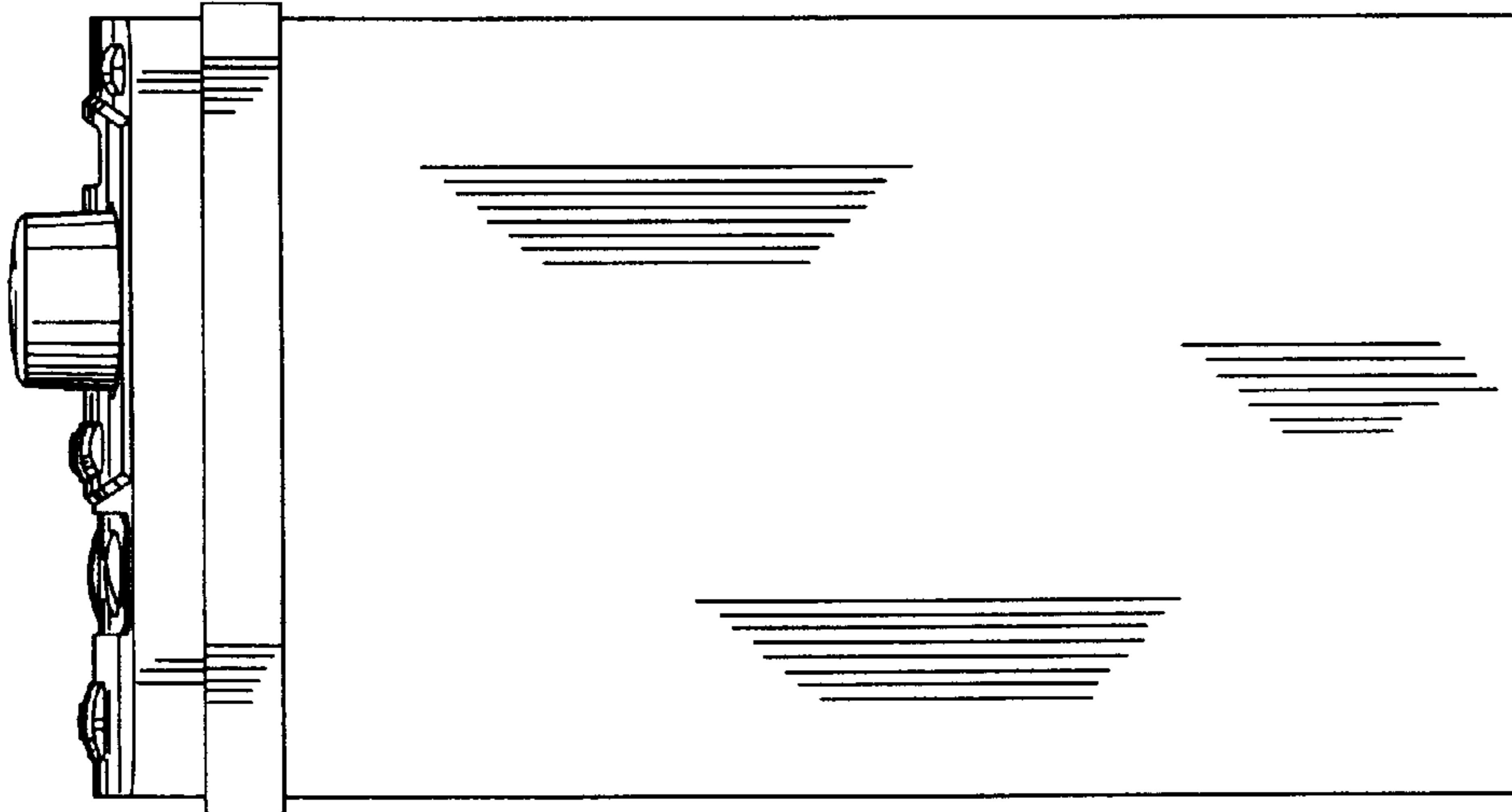


FIG. 25

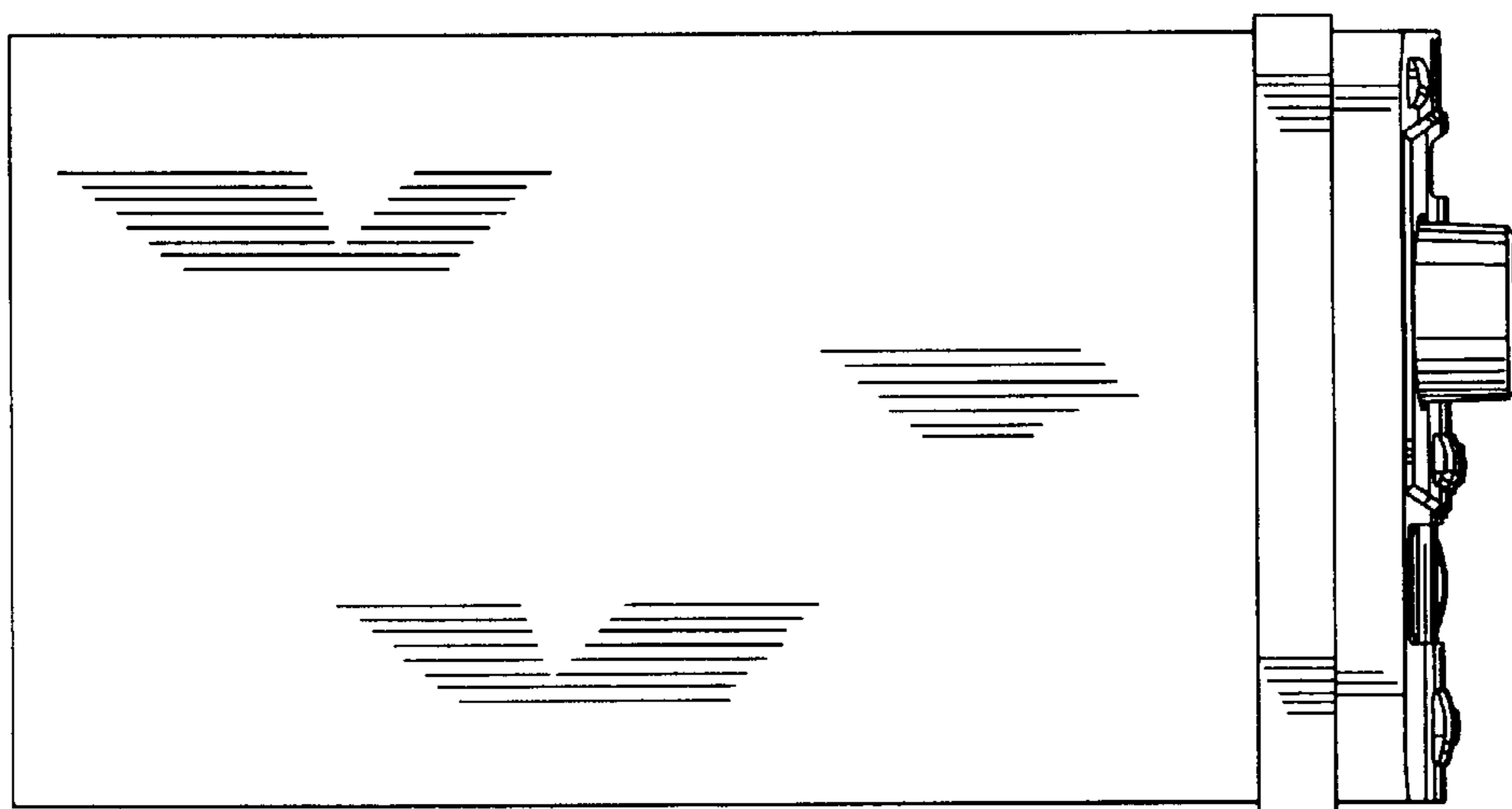


FIG. 26

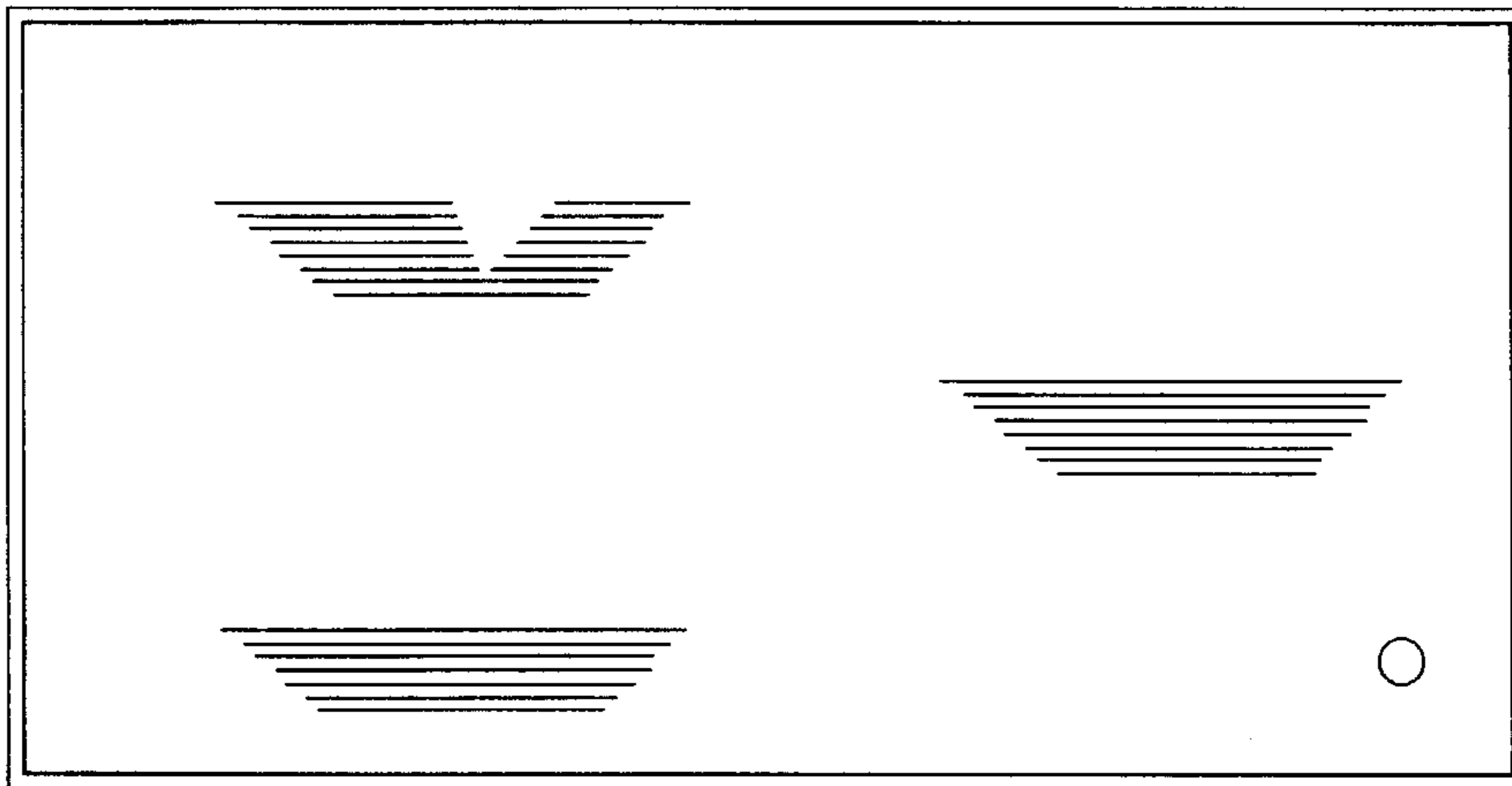


FIG. 27

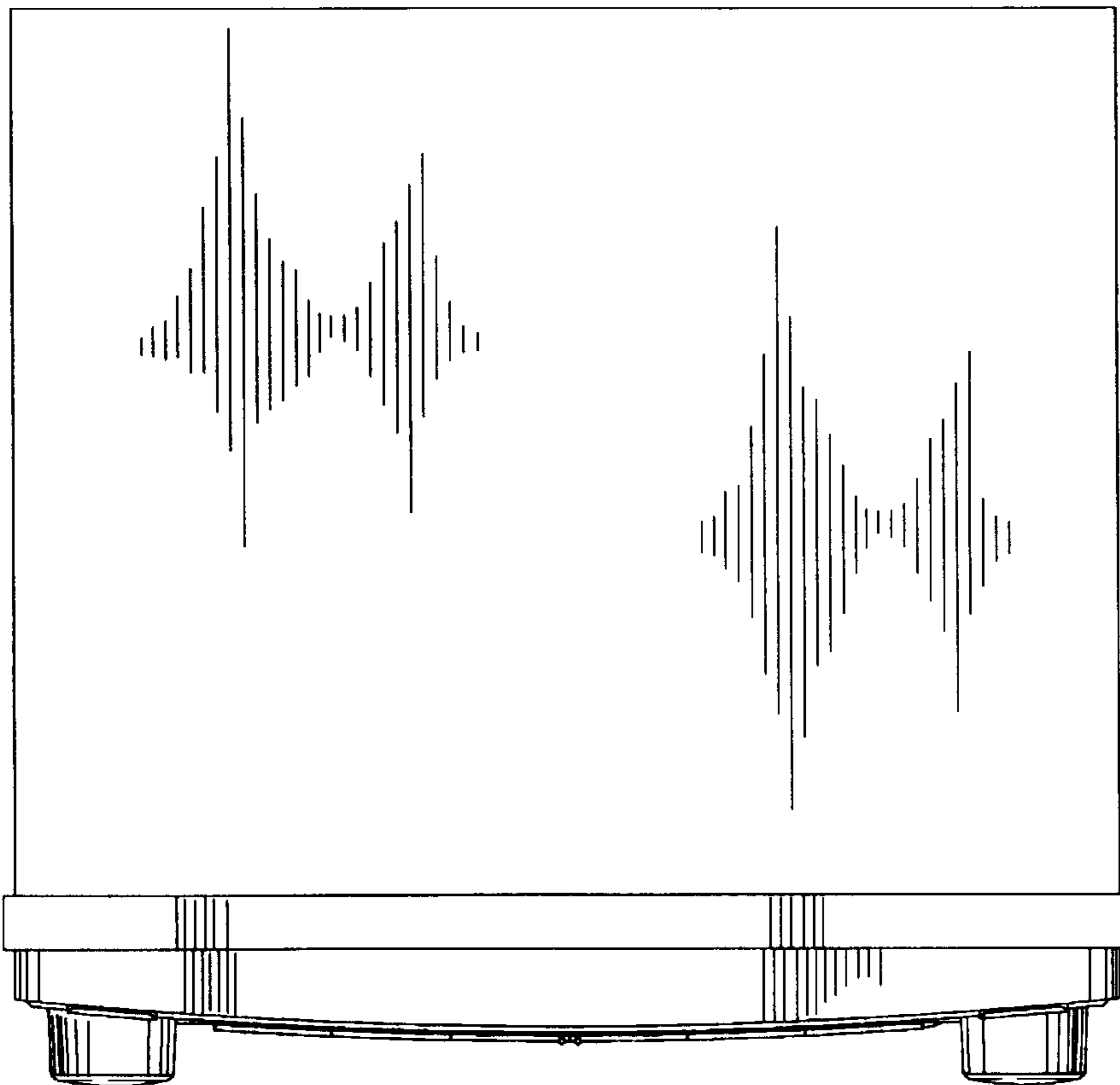
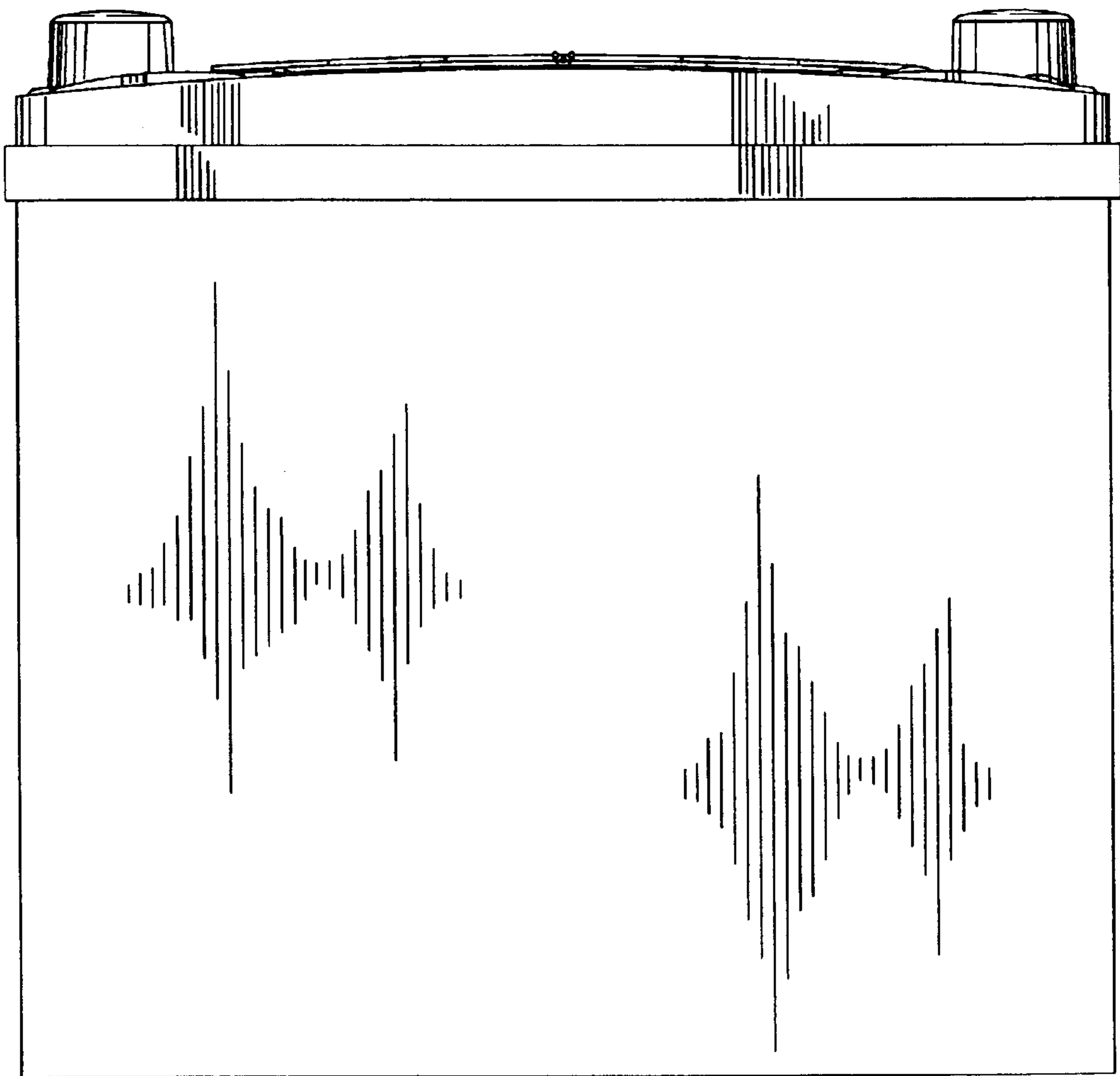


FIG. 28



UNITED STATES PATENT AND TRADEMARK OFFICE
CERTIFICATE OF CORRECTION

PATENT NO. : Des. 480,076 S
APPLICATION NO. : 29/166208
DATED : September 30, 2003
INVENTOR(S) : H. Nose et al.

Page 1 of 1

It is certified that error appears in the above-identified patent and that said Letters Patent is hereby corrected as shown below:

<u>COLUMN</u>	<u>LINE</u>	<u>ERROR</u>
(57) Pg. 1, col. 2	Desc., line 9	“bottom plan view” should read --bottom view--
(57) Pg. 1, col. 2	Desc., line 19	“bottom plan view” should read --bottom view--
(57) Pg. 1, col. 2	Desc., line 29	“bottom plan view” should read --bottom view--
(57) Pg. 1, col. 2	Desc., line 39	“bottom plan view” should read --bottom view--

Signed and Sealed this

Fifth Day of December, 2006

A handwritten signature in black ink on a dotted background. The signature reads "Jon W. Dudas" in a cursive style.

JON W. DUDAS

Director of the United States Patent and Trademark Office