



US00D480075S

(12) **United States Design Patent**
Tanaka

(10) **Patent No.:** **US D480,075 S**

(45) **Date of Patent:** **** Sep. 30, 2003**

(54) **MODEM FOR ELECTRONIC COMPUTERS**

(75) Inventor: **Keita Tanaka**, Meguro-ku (JP)

(73) Assignee: **Kabushiki Kaisha Toshiba** (JP)

(**) Term: **14 Years**

(21) Appl. No.: **29/164,336**

(22) Filed: **Jul. 24, 2002**

Related U.S. Application Data

(62) Division of application No. 29/139,132, filed on Mar. 27, 2001, now Pat. No. Des. 464,341.

(30) **Foreign Application Priority Data**

Oct. 2, 2000 (JP) 2000-27866
Oct. 2, 2000 (JP) 2000-27867

(51) **LOC (7) Cl.** **14-03**

(52) **U.S. Cl.** **D14/242**

(58) **Field of Search** D14/137, 240,
D14/138, 242, 308, 356, 357, 358, 311,
313, 441, 144, 348-355, 370, 341-347,
125, 432, 433, 155, 299, 257, 439, 140,
188, 230, 241, 243, 245; 379/433.01-433.13,
419, 434, 428.01-428.04, 420.01-420.04,
440, 441, 442; 455/550-575, 90; D13/184,
123, 152, 147, 110, 164; 200/296, 293

(56) **References Cited**

U.S. PATENT DOCUMENTS

D305,753 S 1/1990 Hoshino
D335,489 S 5/1993 Sander
D360,405 S 7/1995 Hill et al.
D364,605 S 11/1995 Backs
D369,350 S 4/1996 Takahashi
D370,211 S 5/1996 Lee
D386,479 S 11/1997 Lassmann et al.
D389,088 S 1/1998 Murphy
D396,043 S 7/1998 Liao
D406,849 S 3/1999 Tanaka

D413,894 S 9/1999 Matthews et al.
D414,188 S 9/1999 Matthews et al.
D415,123 S 10/1999 Murphy
D417,223 S 11/1999 Groves et al.
D431,243 S 9/2000 Oba
D433,381 S 11/2000 Talesfore
D437,289 S 2/2001 Chase et al.
D442,925 S 5/2001 Backs et al.
6,259,598 B1 7/2001 Beaman et al.
D447,139 S 8/2001 Mache et al.
D447,479 S 9/2001 Tierney
D454,557 S 3/2002 Do et al.
D464,341 S * 10/2002 Tanaka D14/242

FOREIGN PATENT DOCUMENTS

DE 49811608 9/1999
JP 892947 3/1994
JP 1025112 11/1998
TW 86305559 12/1997

OTHER PUBLICATIONS

www.cable-modems.org, p. 4 Terayon and Com21 modems,
p. 5 Best Data, p. 7-8 D-Link, visited Mar. 27, 2002.*

* cited by examiner

Primary Examiner—Jeffrey Asch

(74) *Attorney, Agent, or Firm*—Banner & Witcoff, Ltd.

(57) **CLAIM**

The ornamental design for a modem for electronic comput-
ers, as shown and described.

DESCRIPTION

FIG. 1 is a top, front and left side perspective view of a
modem for electronic computers showing my new design;
FIG. 2 is a front elevational view thereof;
FIG. 3 is a rear elevational view thereof;
FIG. 4 is a top plan view thereof;
FIG. 5 is a bottom plan view thereof;
FIG. 6 is a left side elevational view thereof; and,
FIG. 7 is a right side elevational view thereof.

1 Claim, 3 Drawing Sheets

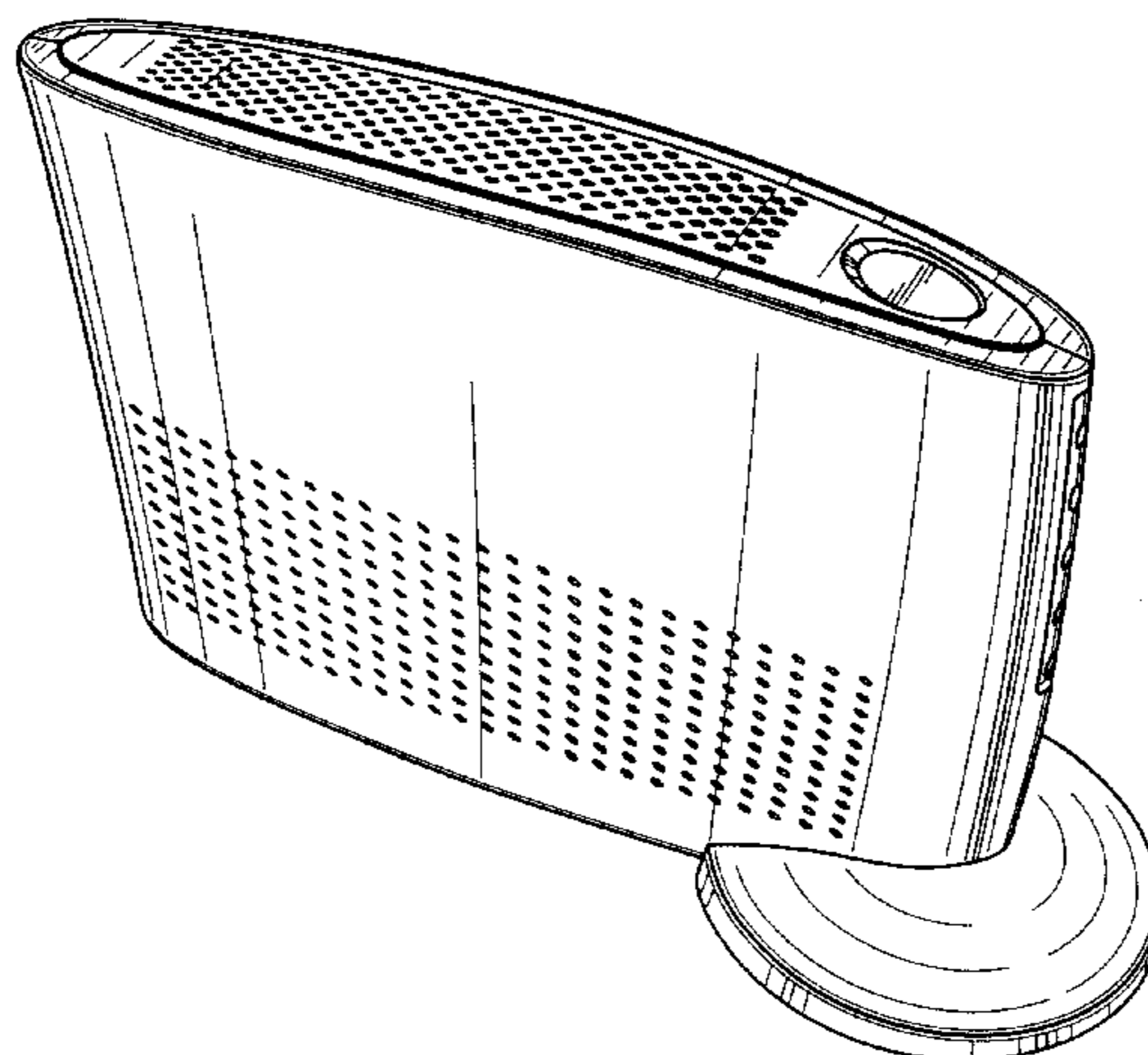


FIG. 1

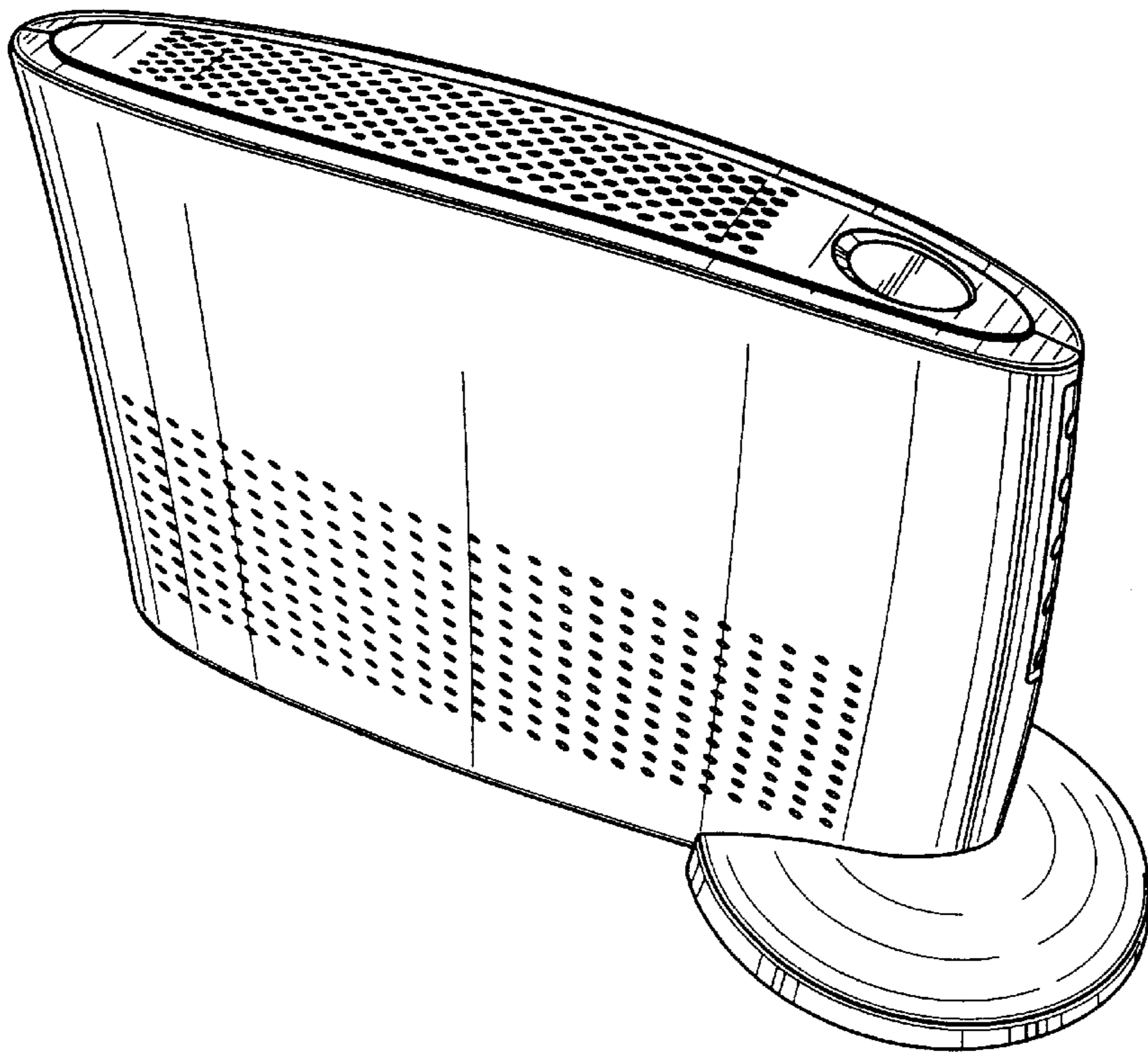


FIG. 2

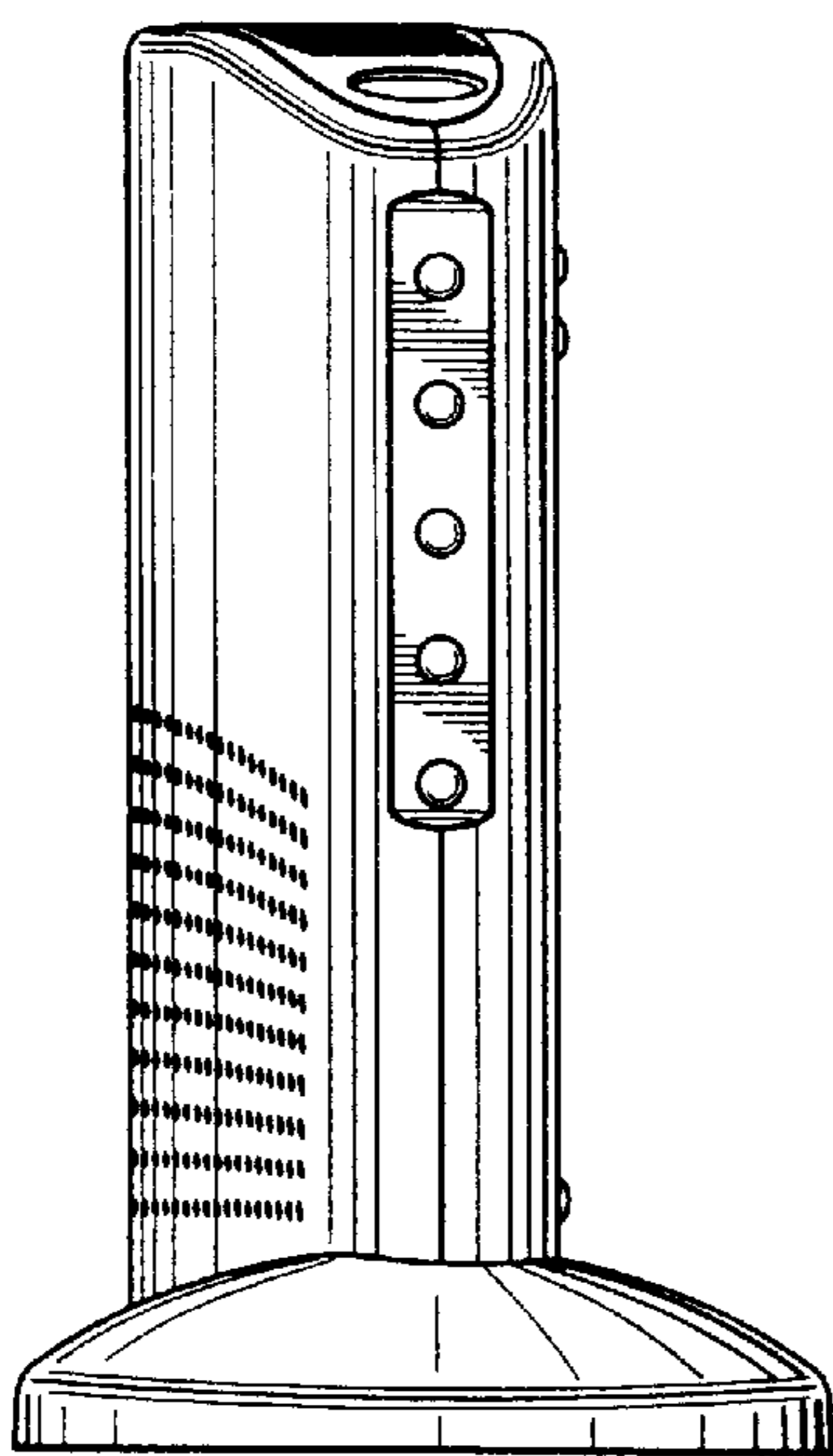


FIG. 3

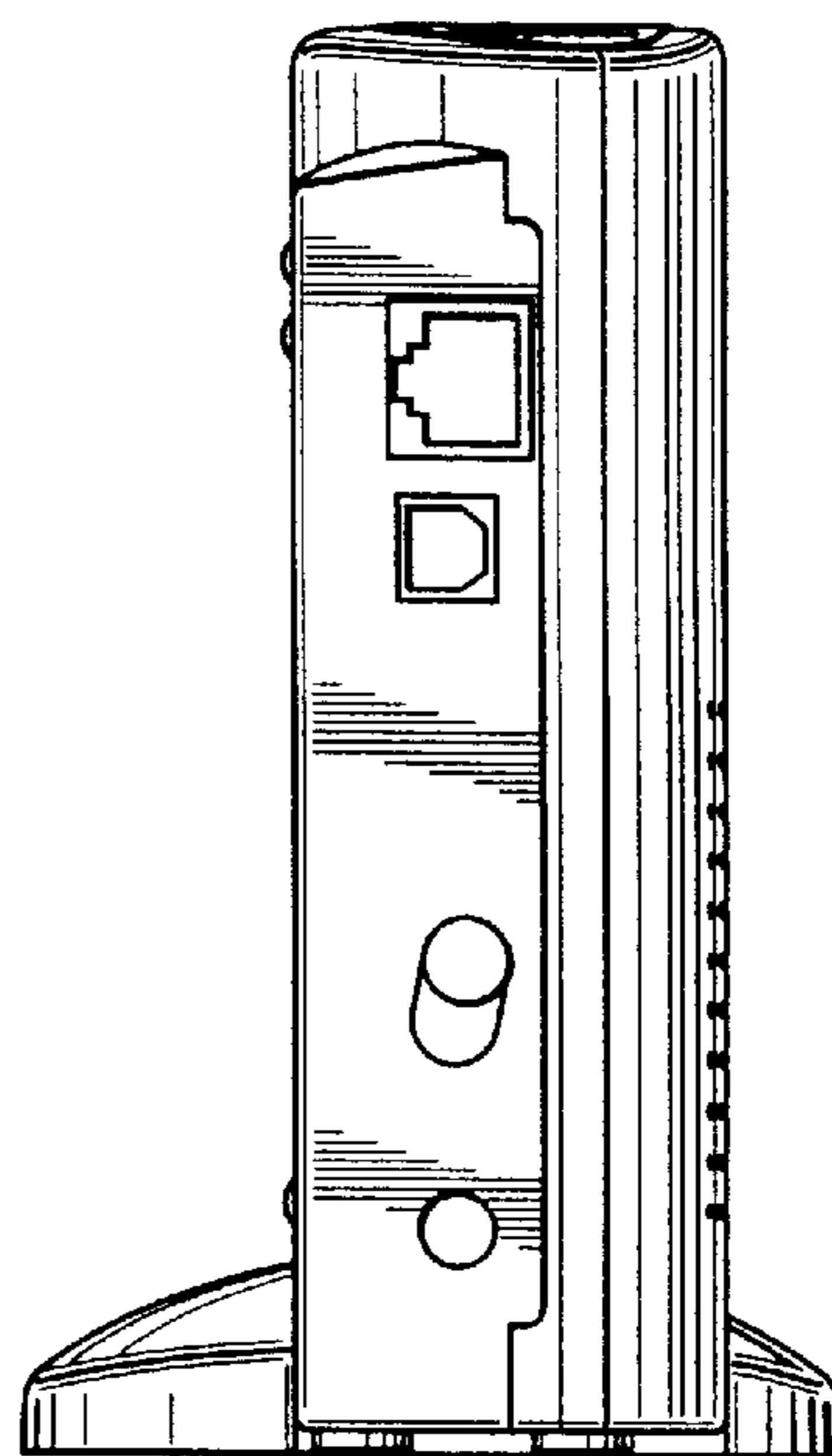


FIG. 4

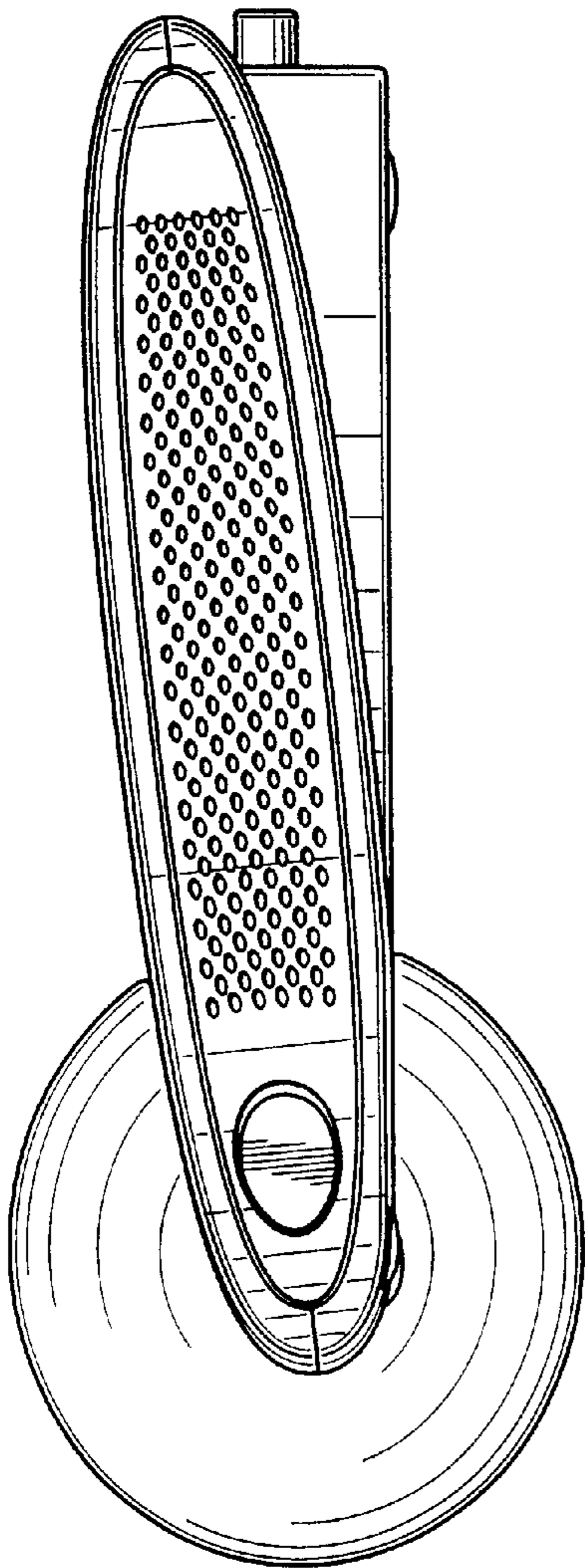


FIG. 5

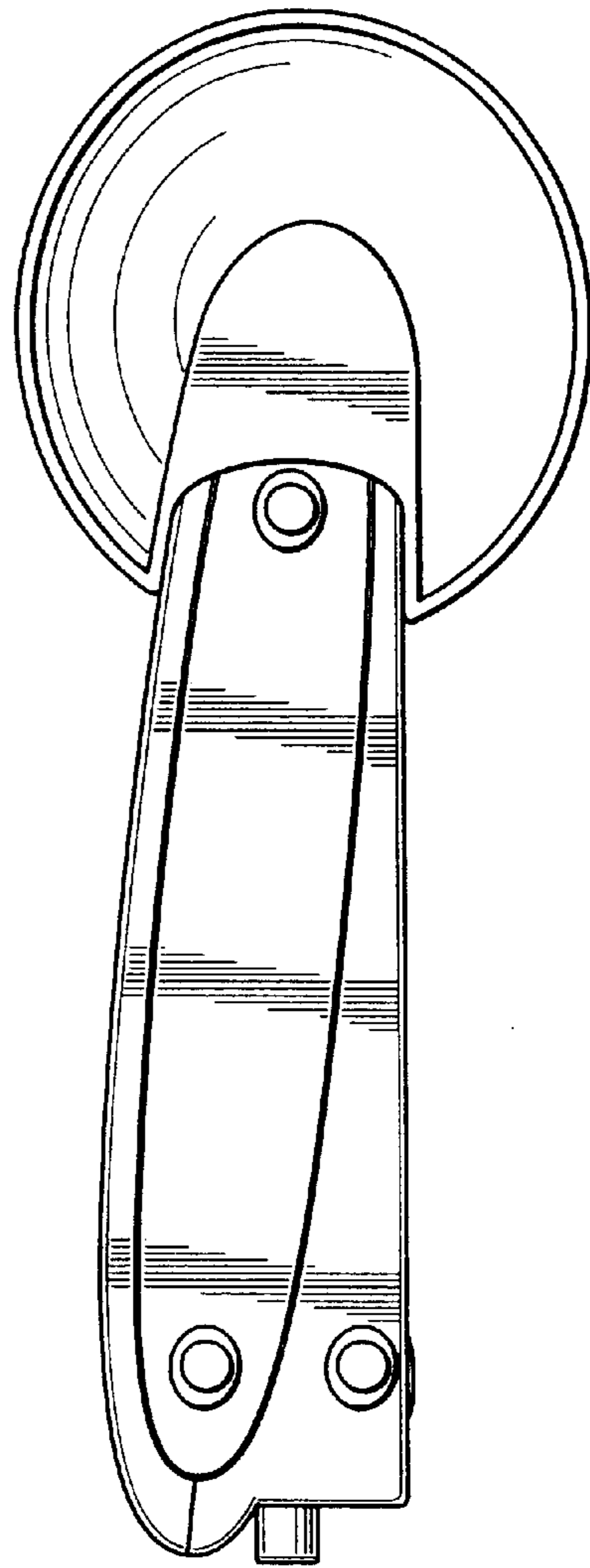


FIG. 6

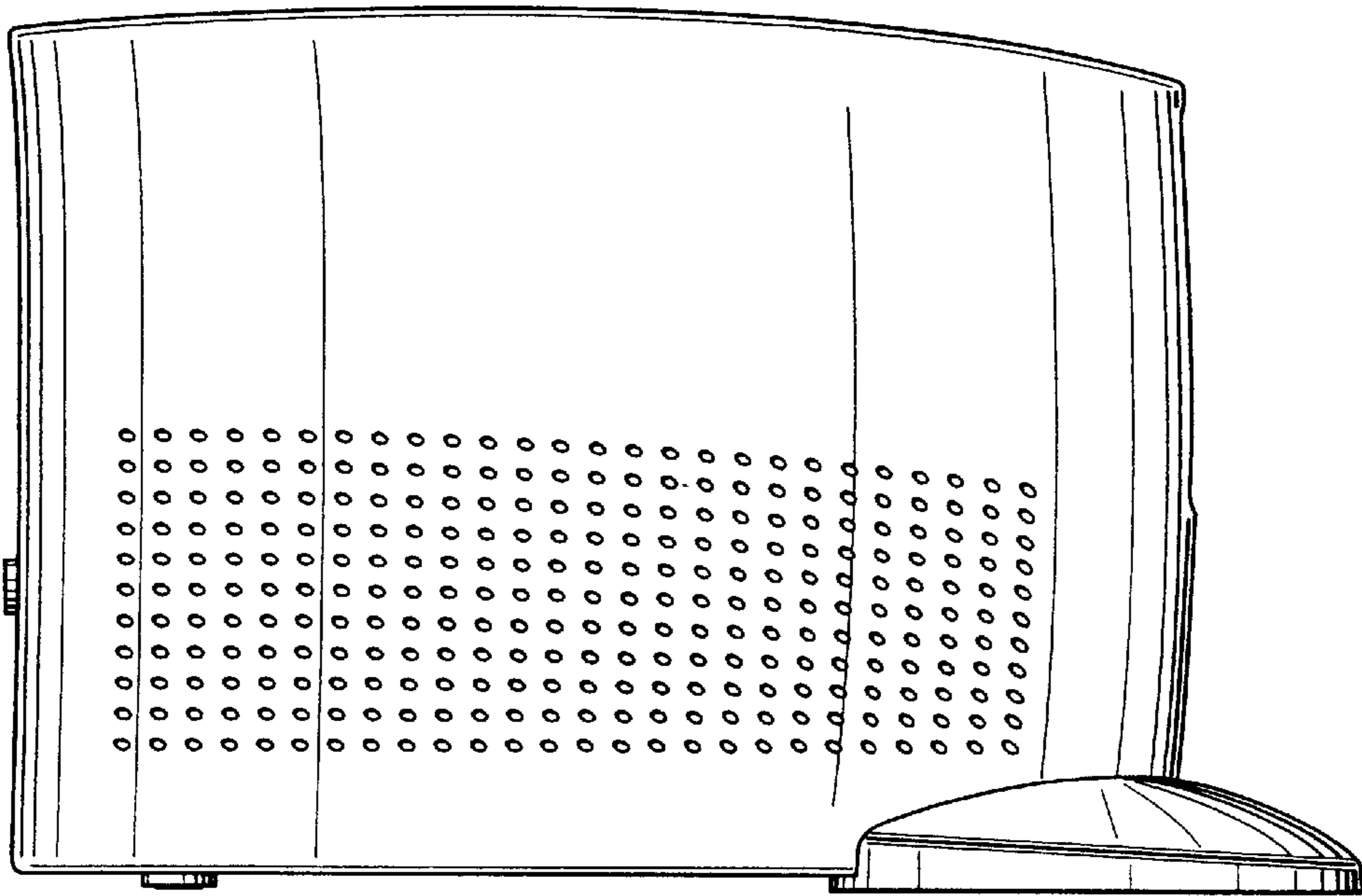
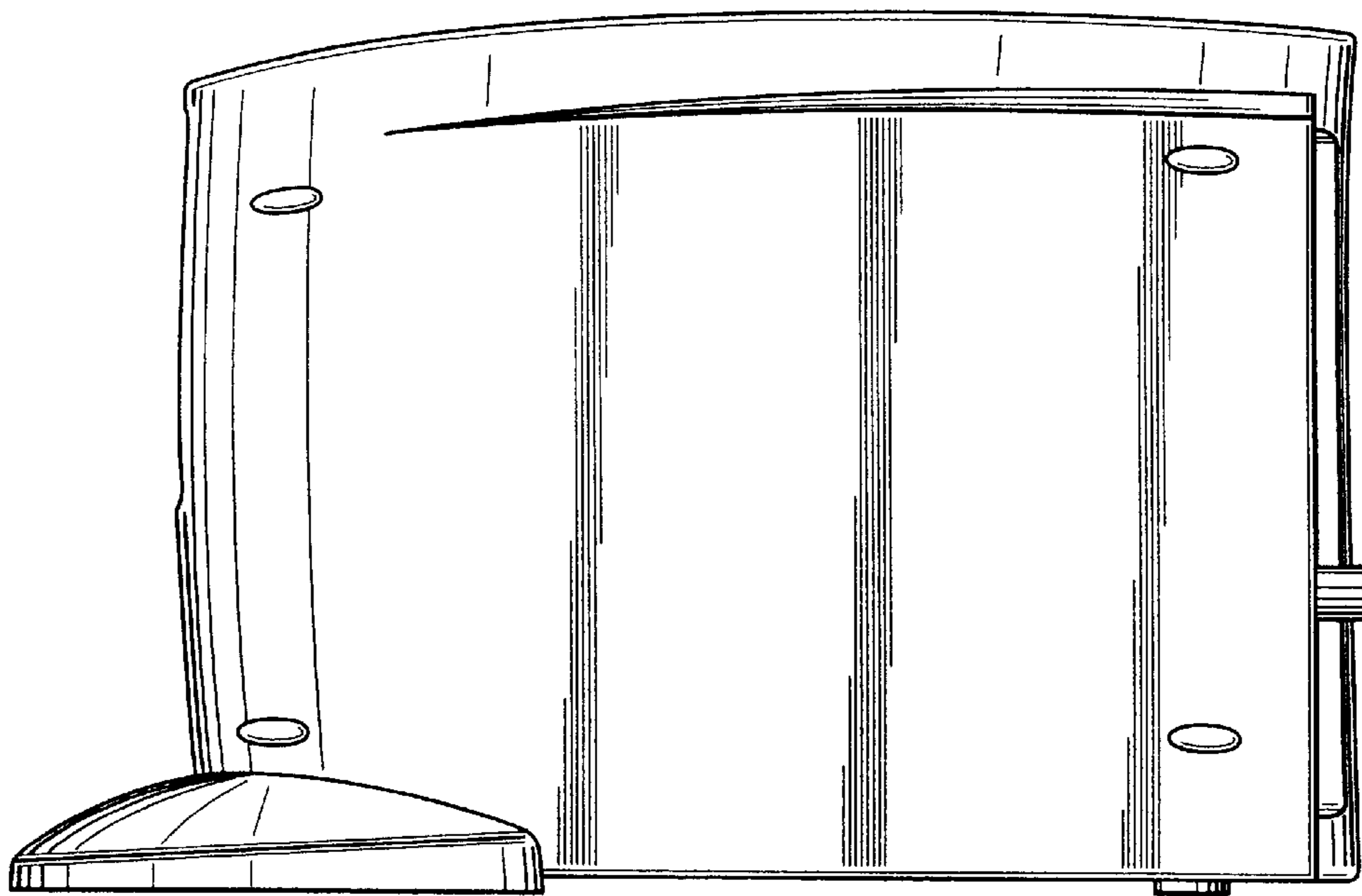


FIG. 7



UNITED STATES PATENT AND TRADEMARK OFFICE
CERTIFICATE OF CORRECTION

PATENT NO. : Des. 480,075 S
DATED : September 30, 2003
INVENTOR(S) : Keita Tanaka

Page 1 of 1

It is certified that error appears in the above-identified patent and that said Letters Patent is hereby corrected as shown below:

Title page,
Item [30], **Foreign Application Priority Data**, "October 2, 2000 (JP) 2000-27867"
has been removed.

Signed and Sealed this

Ninth Day of March, 2004



JON W. DUDAS
Acting Director of the United States Patent and Trademark Office