



US00D480074S

(12) **United States Design Patent**
Tuhkanen

(10) **Patent No.:** **US D480,074 S**

(45) **Date of Patent:** **** Sep. 30, 2003**

(54) **DATA ADAPTER**

(75) Inventor: **Petri Tuhkanen**, Oulu (FI)

(73) Assignee: **Nokia Corporation**, Espoo (FI)

(**) Term: **14 Years**

(21) Appl. No.: **29/153,598**

(22) Filed: **Jan. 10, 2002**

(30) **Foreign Application Priority Data**

Oct. 10, 2001 (FI) M20010683

(51) **LOC (7) Cl.** **14-03**

(52) **U.S. Cl.** **D14/242**

(58) **Field of Search** D14/240-242;
D13/184, 147, 152; 361/600, 622, 686,
724-728; 375/220-225; 439/366

(56) **References Cited**

U.S. PATENT DOCUMENTS

D359,287 S * 6/1995 Heberling et al. D14/242
D368,267 S * 3/1996 Rak et al. D14/242
5,847,924 A * 12/1998 Youn 361/686

D418,843 S * 1/2000 Schechtel et al. D14/242
D420,362 S * 2/2000 Pedraza et al. D14/242
D437,314 S * 2/2001 DeLeon D14/242

* cited by examiner

Primary Examiner—Charles A. Rademaker
(74) *Attorney, Agent, or Firm*—Darby & Darby

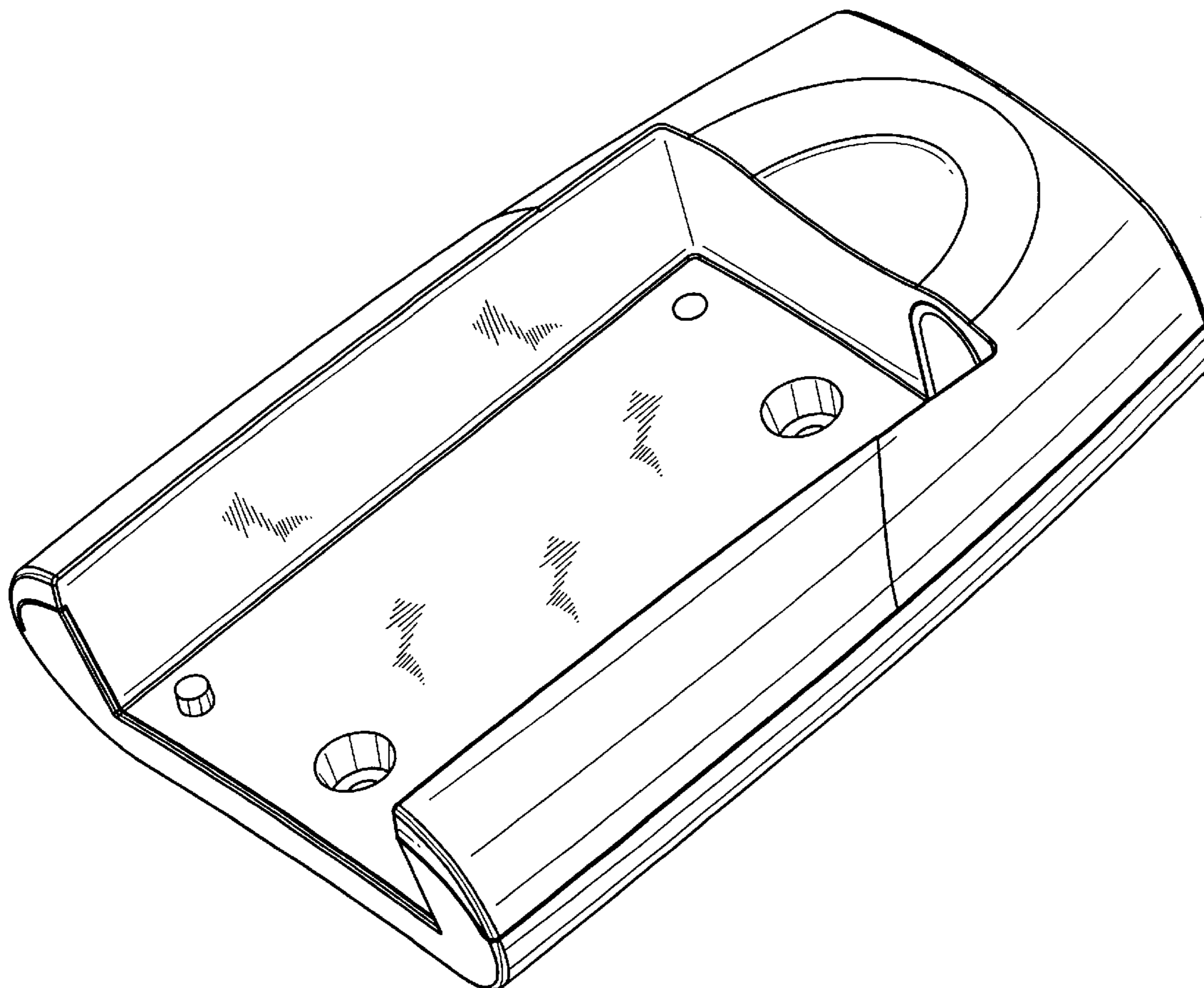
(57) **CLAIM**

The ornamental design for a data adapter, as shown and described.

DESCRIPTION

FIG. 1 is a rear elevational view of a data adapter showing my new design;
FIG. 2 is a left side elevational view thereof;
FIG. 3 is a top plan view thereof;
FIG. 4 is a right side elevational view thereof;
FIG. 5 is a front elevational view thereof;
FIG. 6 is a perspective view thereof as viewed from the front;
FIG. 7 is a perspective view thereof as viewed from the rear;
and,
FIG. 8 is a bottom plan view thereof.

1 Claim, 8 Drawing Sheets



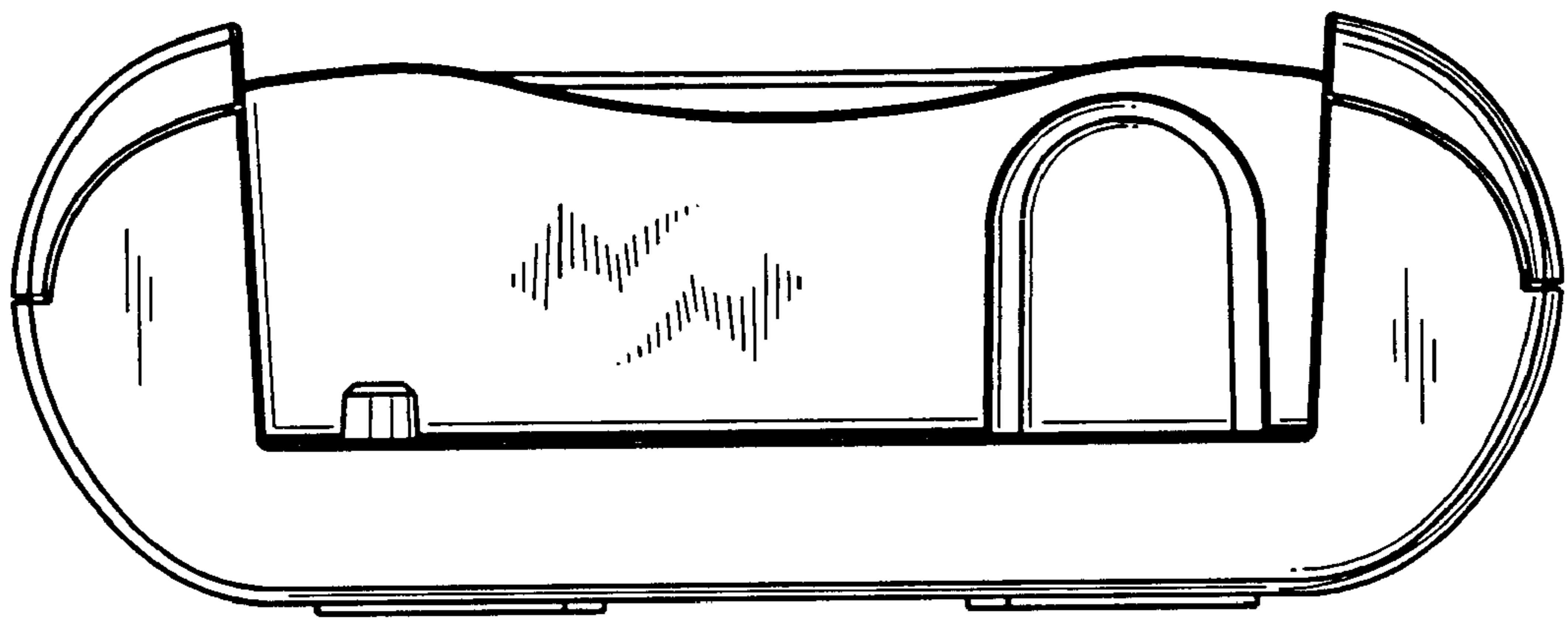


Fig. 1

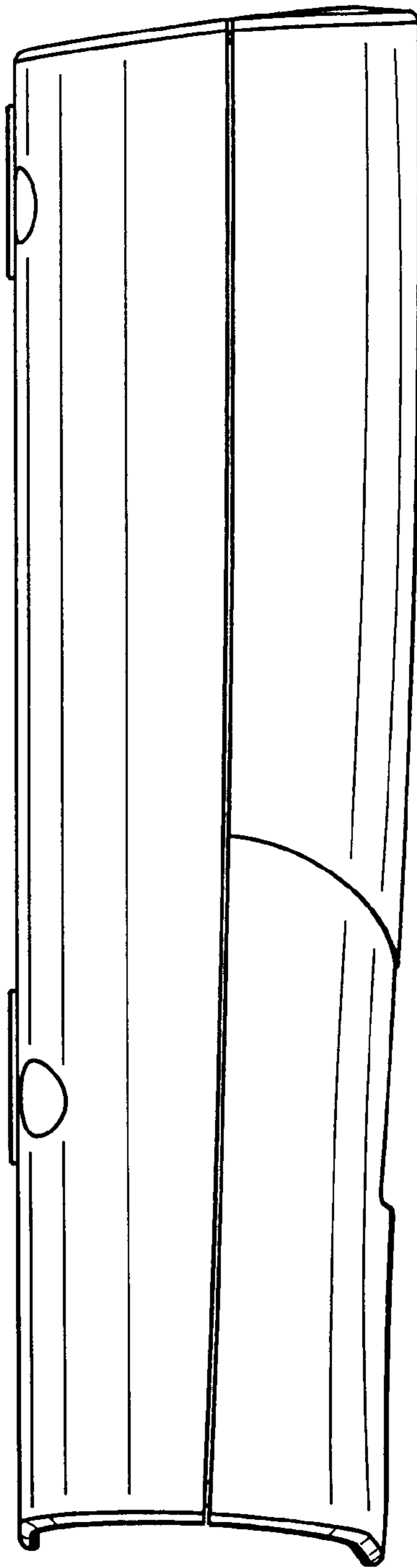


Fig. 2

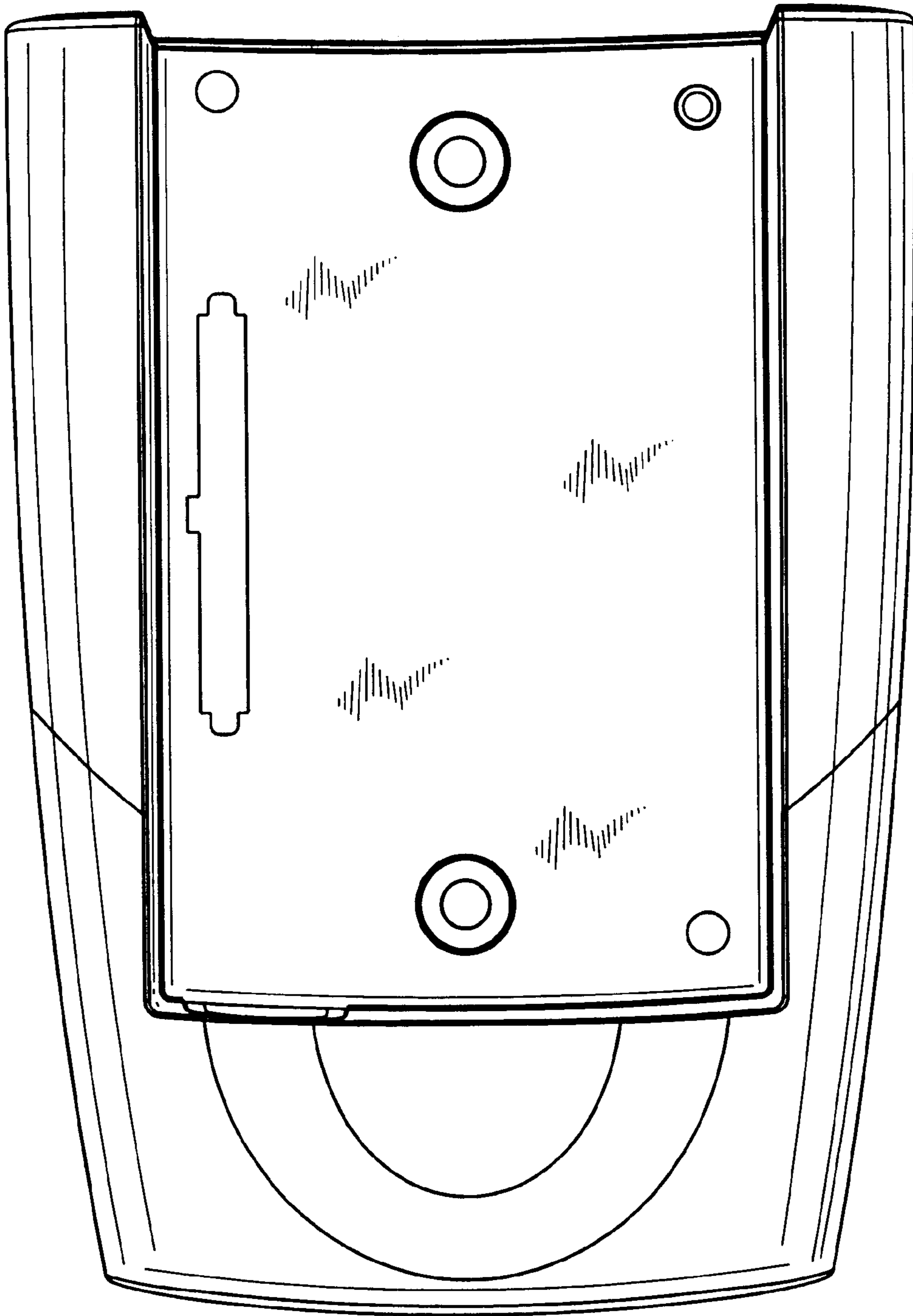


Fig. 3



Fig. 4

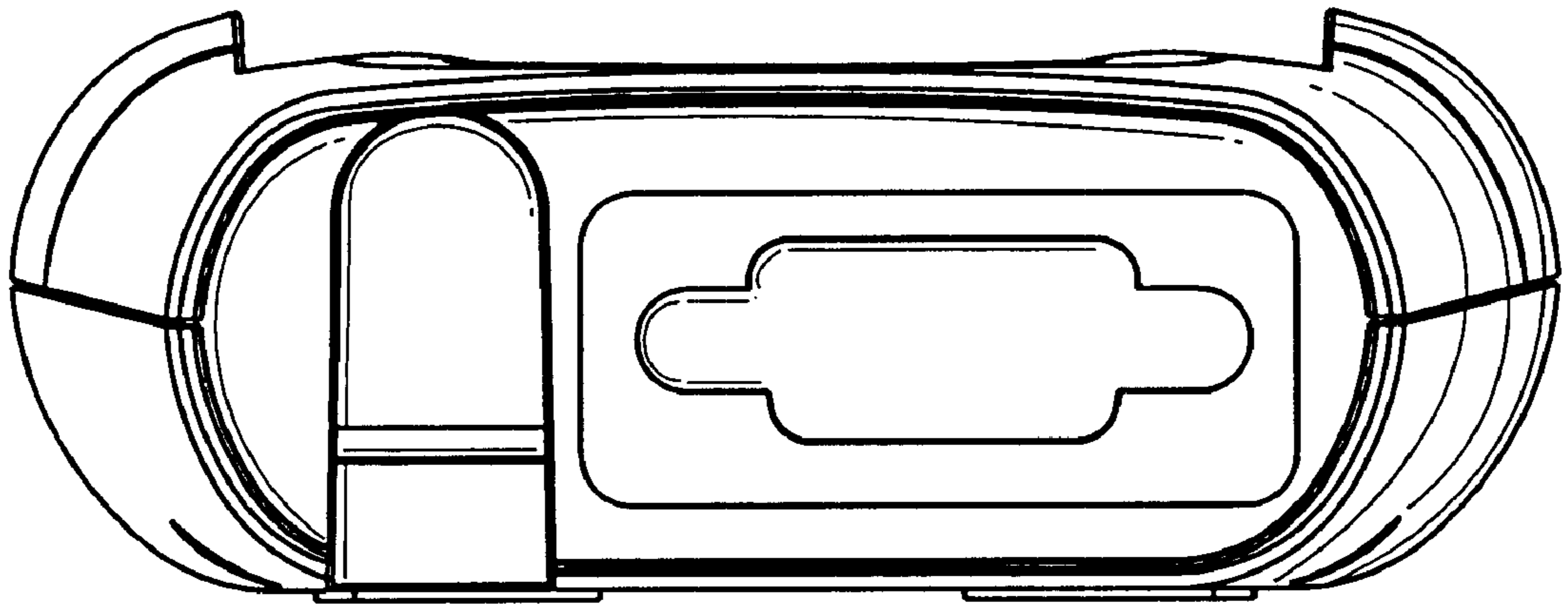


Fig. 5

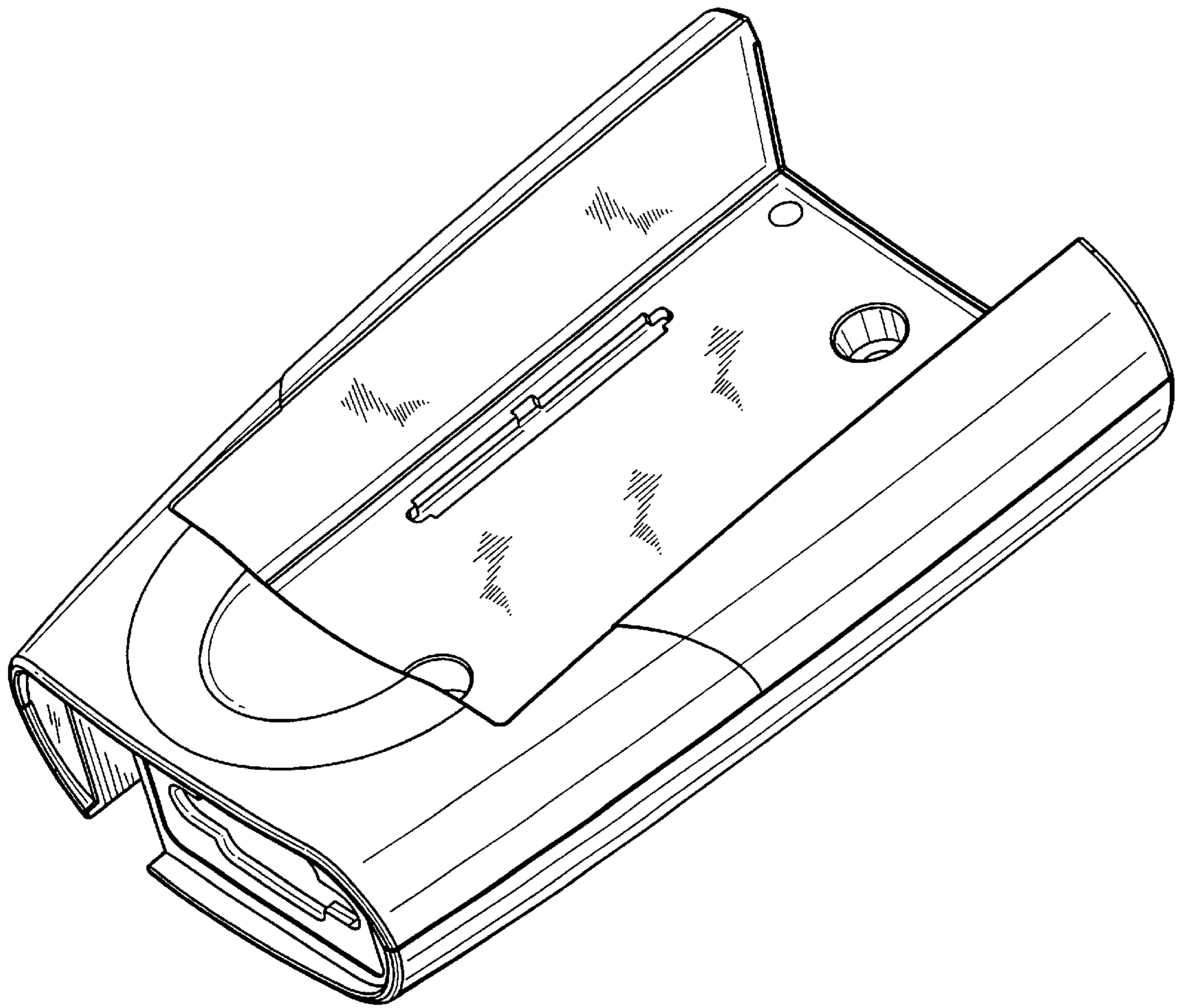


Fig. 6

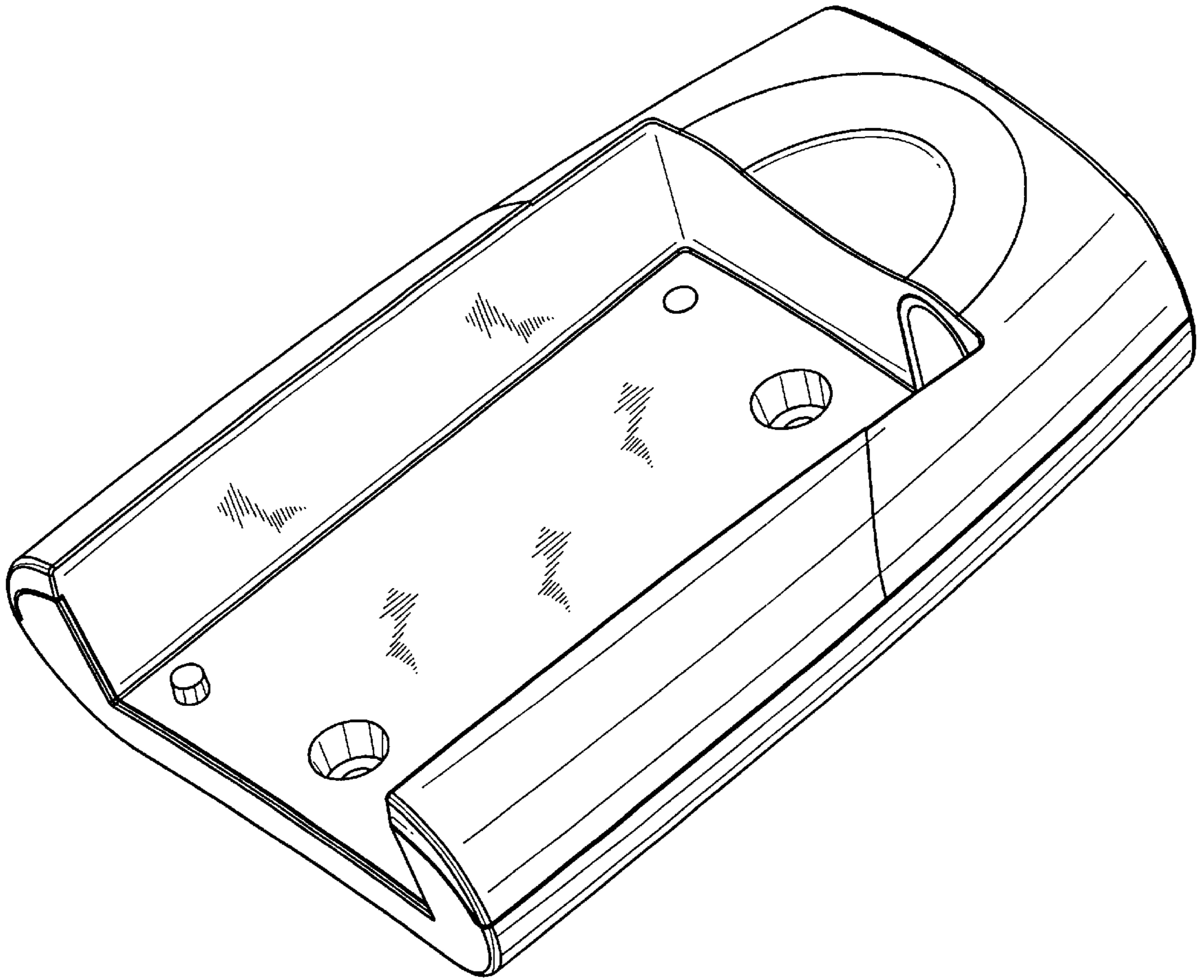


Fig. 7

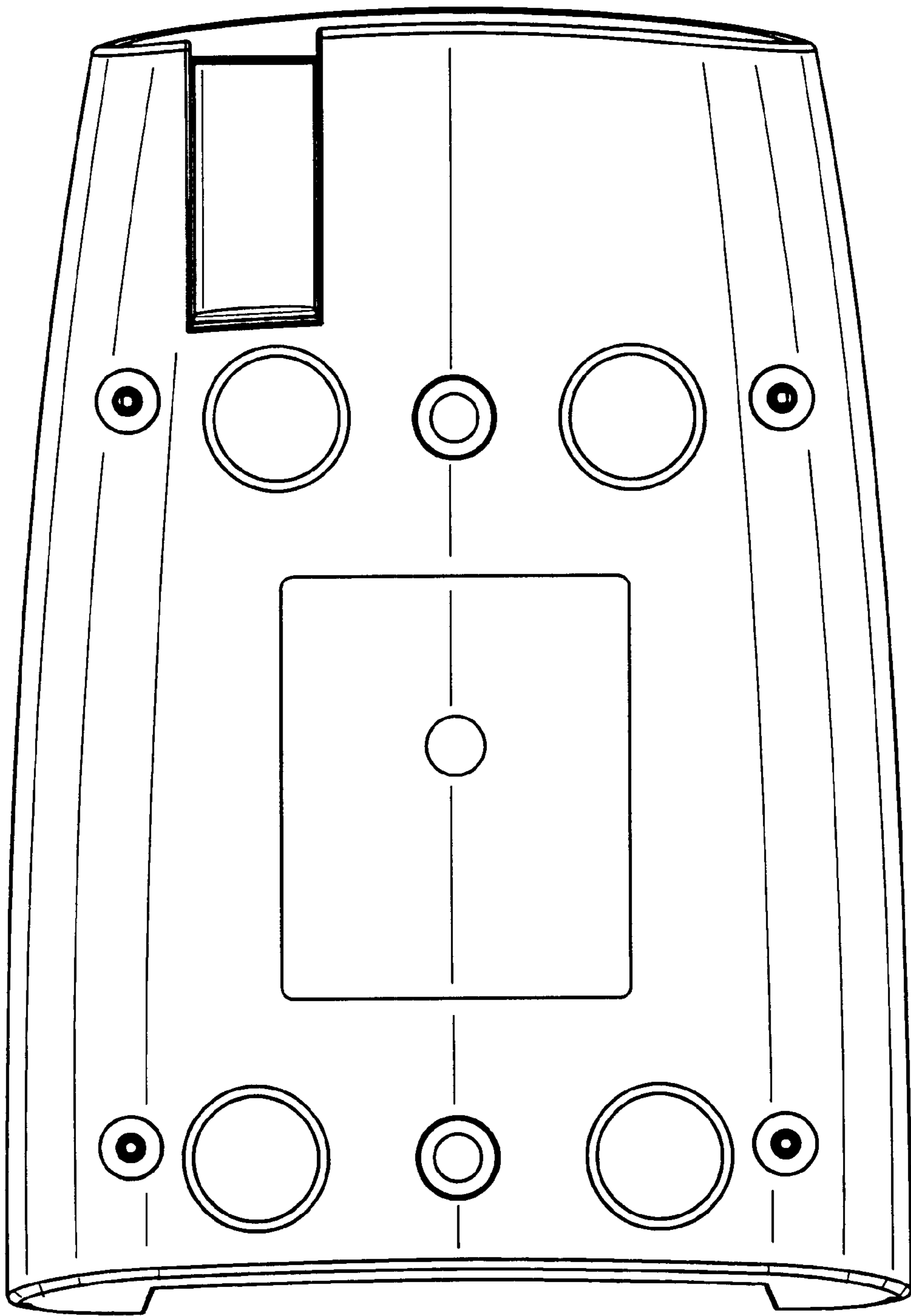


Fig. 8