



US00D480070S

(12) **United States Design Patent**  
**Hakoda**

(10) **Patent No.:** **US D480,070 S**

(45) **Date of Patent:** **\*\* Sep. 30, 2003**

(54) **SPEAKER**

(75) Inventor: **Katsuhiko Hakoda**, Tokyo (JP)

(73) Assignee: **Sony Corporation**, Tokyo (JP)

(\*\*) Term: **14 Years**

(21) Appl. No.: **29/166,994**

(22) Filed: **Sep. 9, 2002**

(51) **LOC (7) Cl.** ..... **14-01**

(52) **U.S. Cl.** ..... **D14/216**

(58) **Field of Search** ..... D14/204, 207–216,  
D14/219–222, 224; 181/144–145, 147–148,  
150, 152, 155, 159, 168, 171–174, 198–199;  
381/186, 300–302, 386, 396, 398, 423,  
426

(56) **References Cited**

**U.S. PATENT DOCUMENTS**

D158,449 S	*	5/1950	Ethington	.....	D14/207
D295,741 S	*	5/1988	Keitoku	.....	D14/215
4,965,837 A	*	10/1990	Murayama et al.	.....	381/186
D434,751 S		12/2000	Sogabe et al.		
D448,017 S	*	9/2001	Hasbrook	.....	D14/216
D451,908 S	*	12/2001	Mackie et al.	.....	D14/224

**OTHER PUBLICATIONS**

Catalog “98” pp. 202 & 203, Sony (Jul. 2001).

Web page “Sony eCatalog,” <http://www.ecat.sony.co.jp/car/caraudio/products/index.cfm?PD=612>, 1 sheet, SONY (Jun. 2002).

Web page “Xplod Car Audio at Crutchfield—Sony XS–V163” <http://sm.crutchfield.com/S-Zk9Kyj5CHm/cgi-bin/ProdView.asp?I=158XSV1632&s=45>, 1 sheet, Crutchfield (Jun. 2002).

\* cited by examiner

*Primary Examiner*—Nanda Bondade

(74) *Attorney, Agent, or Firm*—Rader, Fishman & Grauer PLLC

(57) **CLAIM**

The ornamental design for a speaker, as shown.

**DESCRIPTION**

FIG. 1 is a perspective view of a speaker showing my new design;

FIG. 2 is a front elevational view thereof;

FIG. 3 is a rear elevational view thereof;

FIG. 4 is a left side elevational view thereof;

FIG. 5 is a right side elevational view thereof;

FIG. 6 is a top plan view thereof; and,

FIG. 7 is a bottom plan view thereof.

**1 Claim, 4 Drawing Sheets**

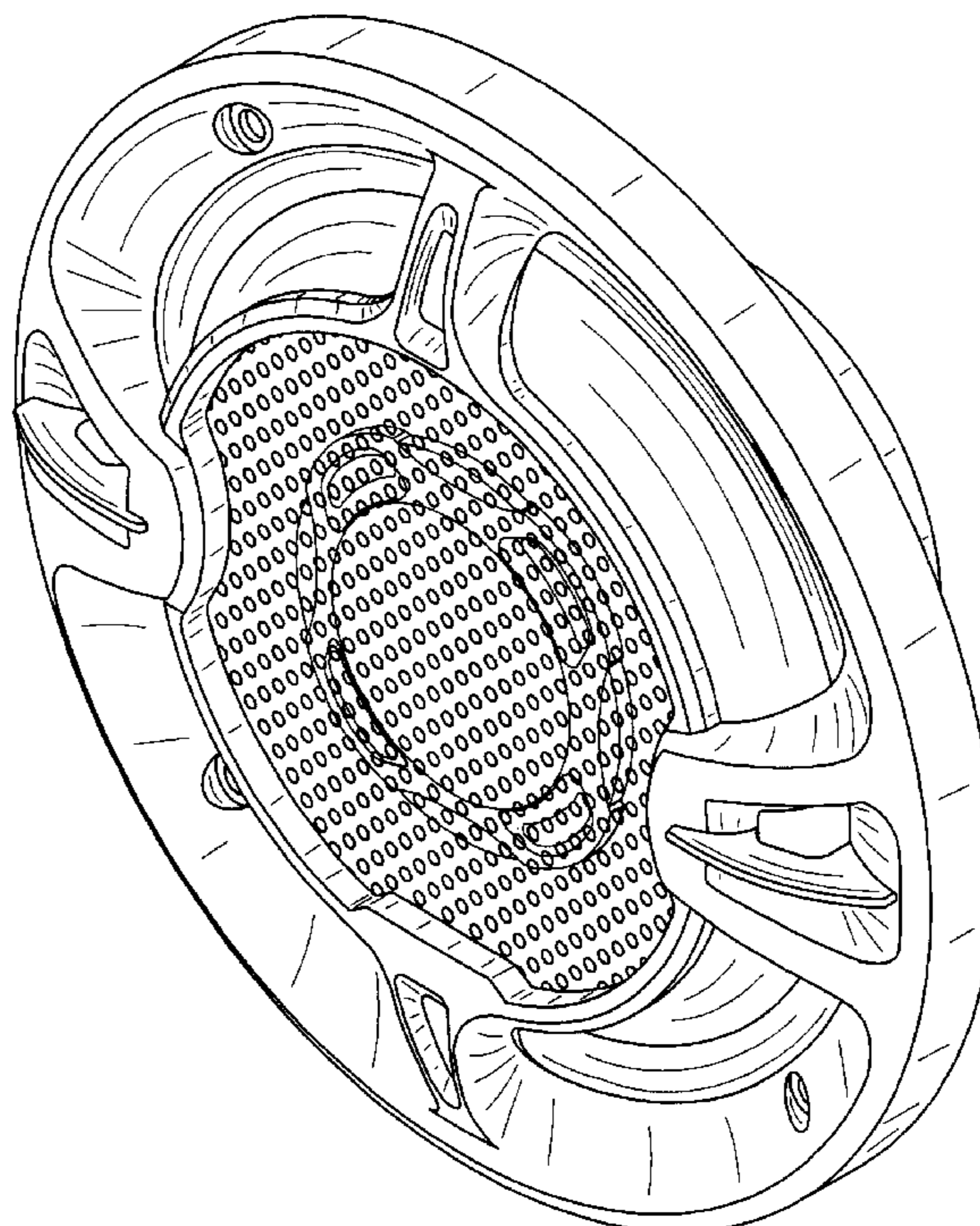


FIG. 1

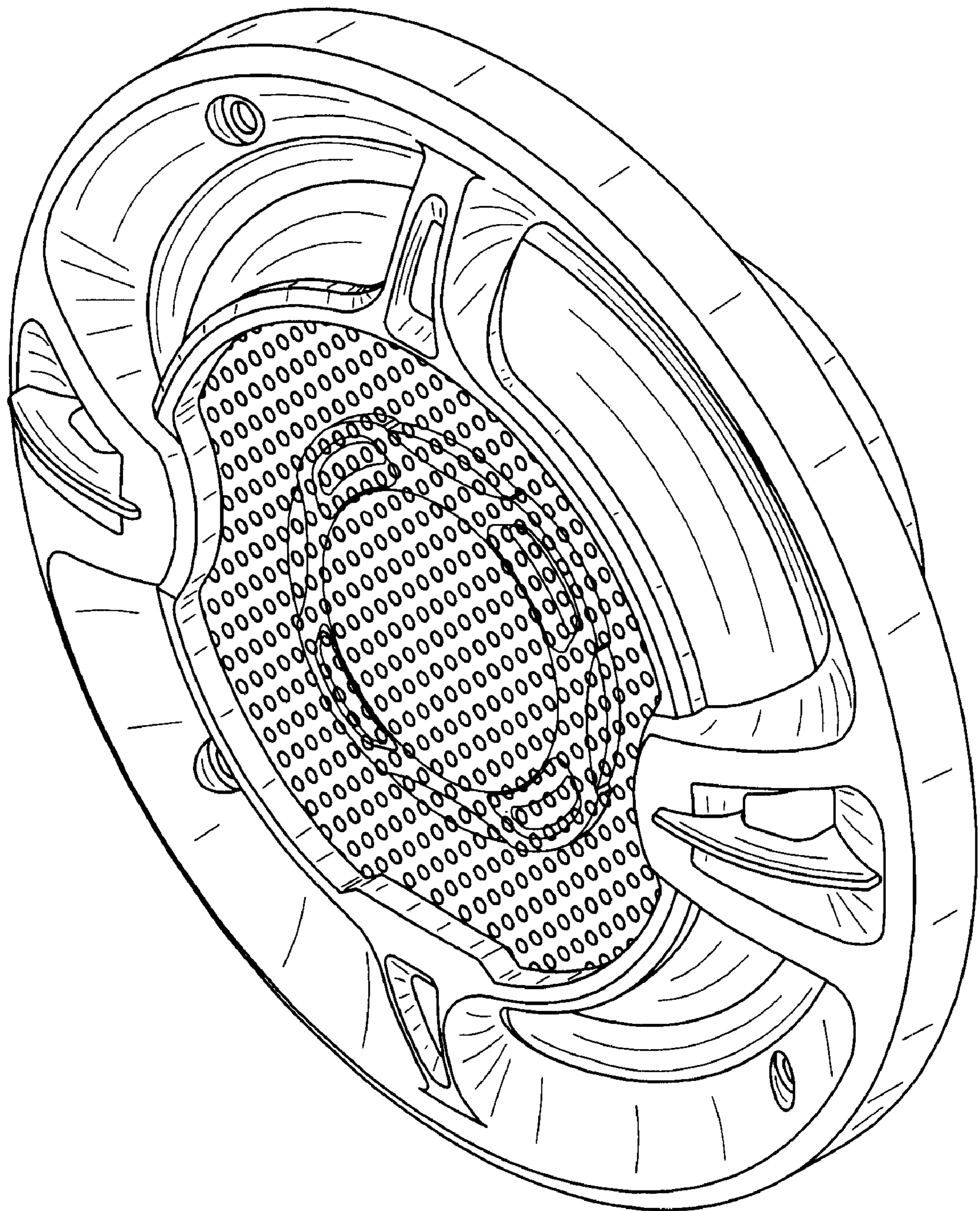


FIG. 2

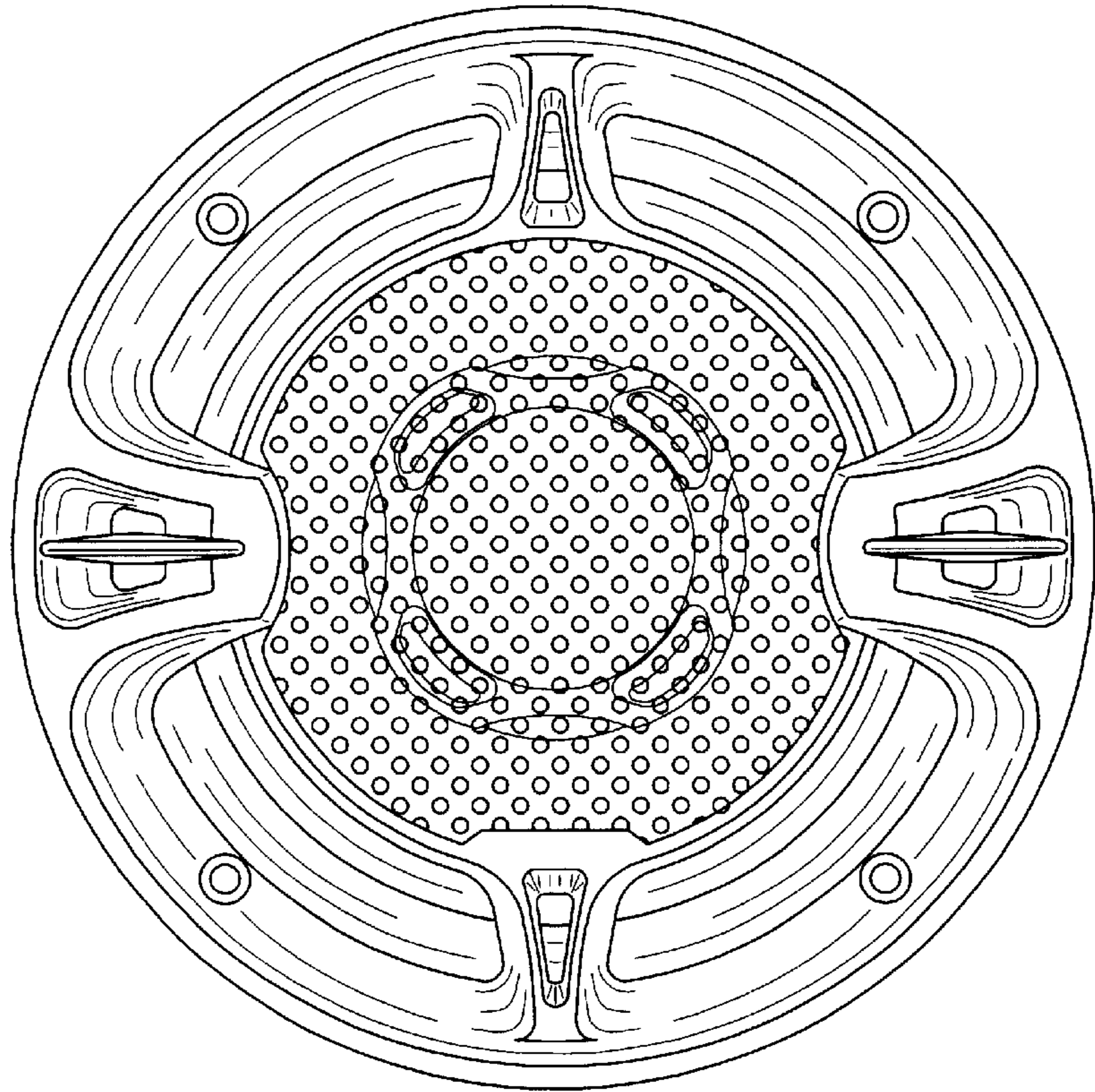


FIG. 3

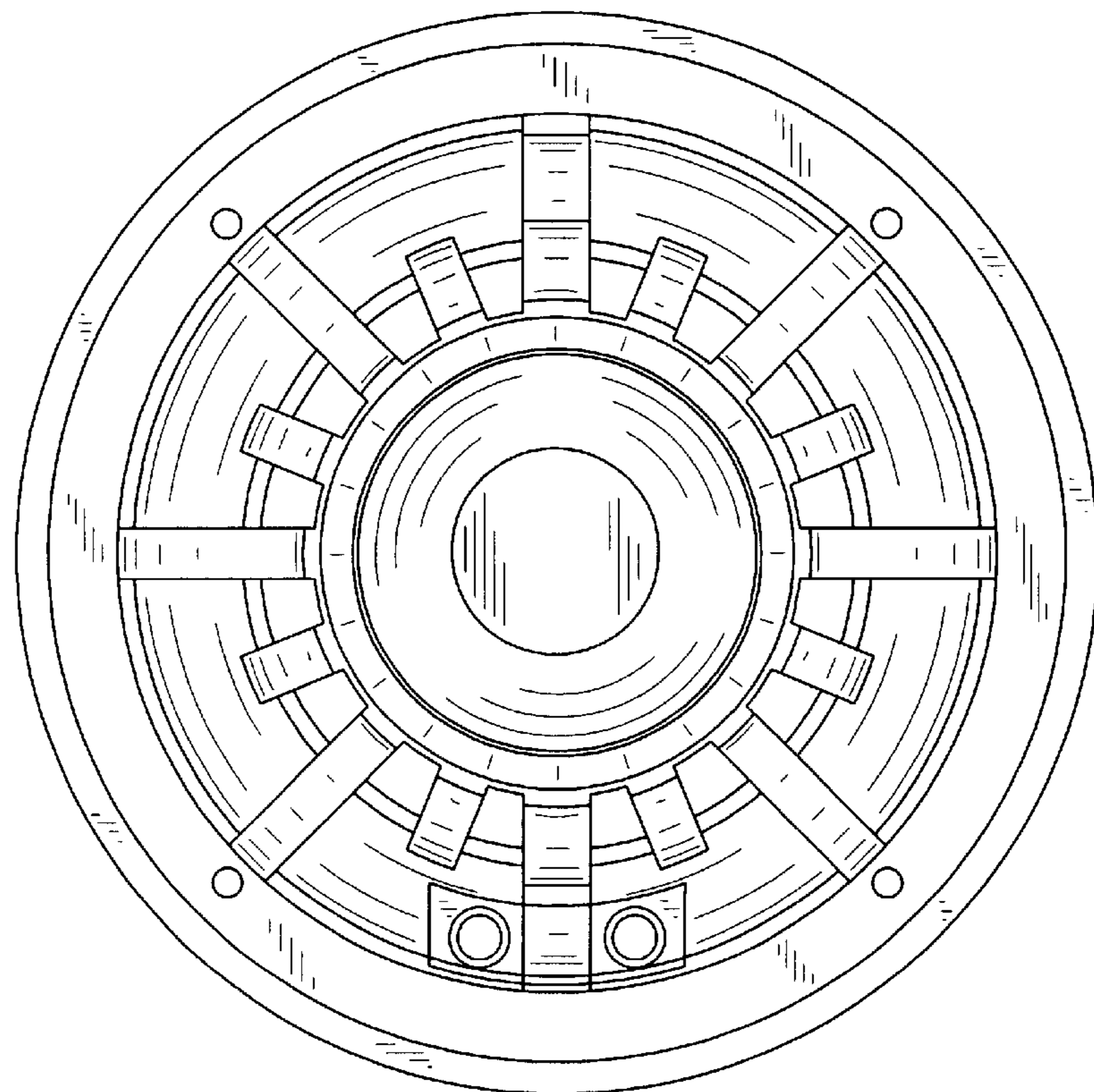


FIG. 4

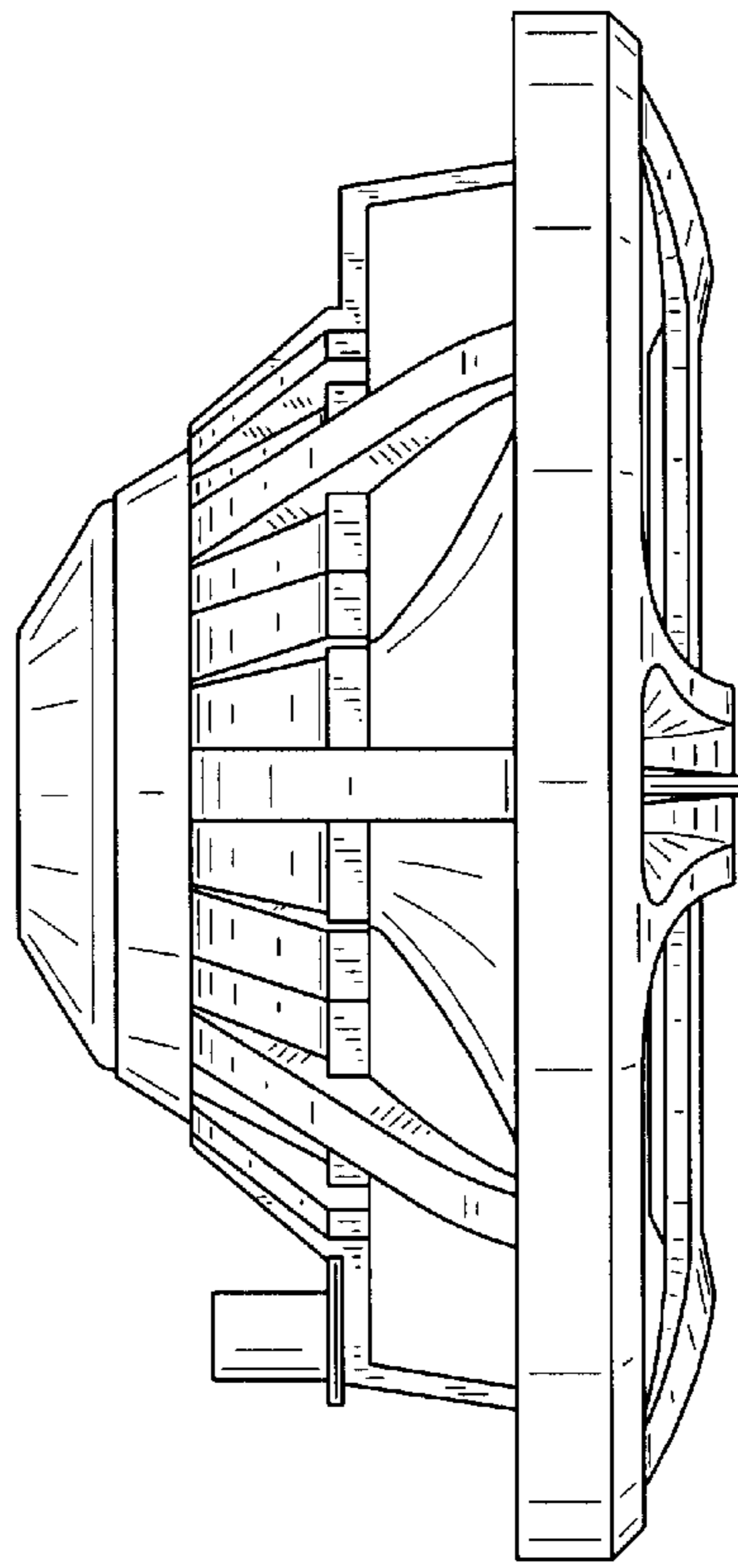


FIG. 5

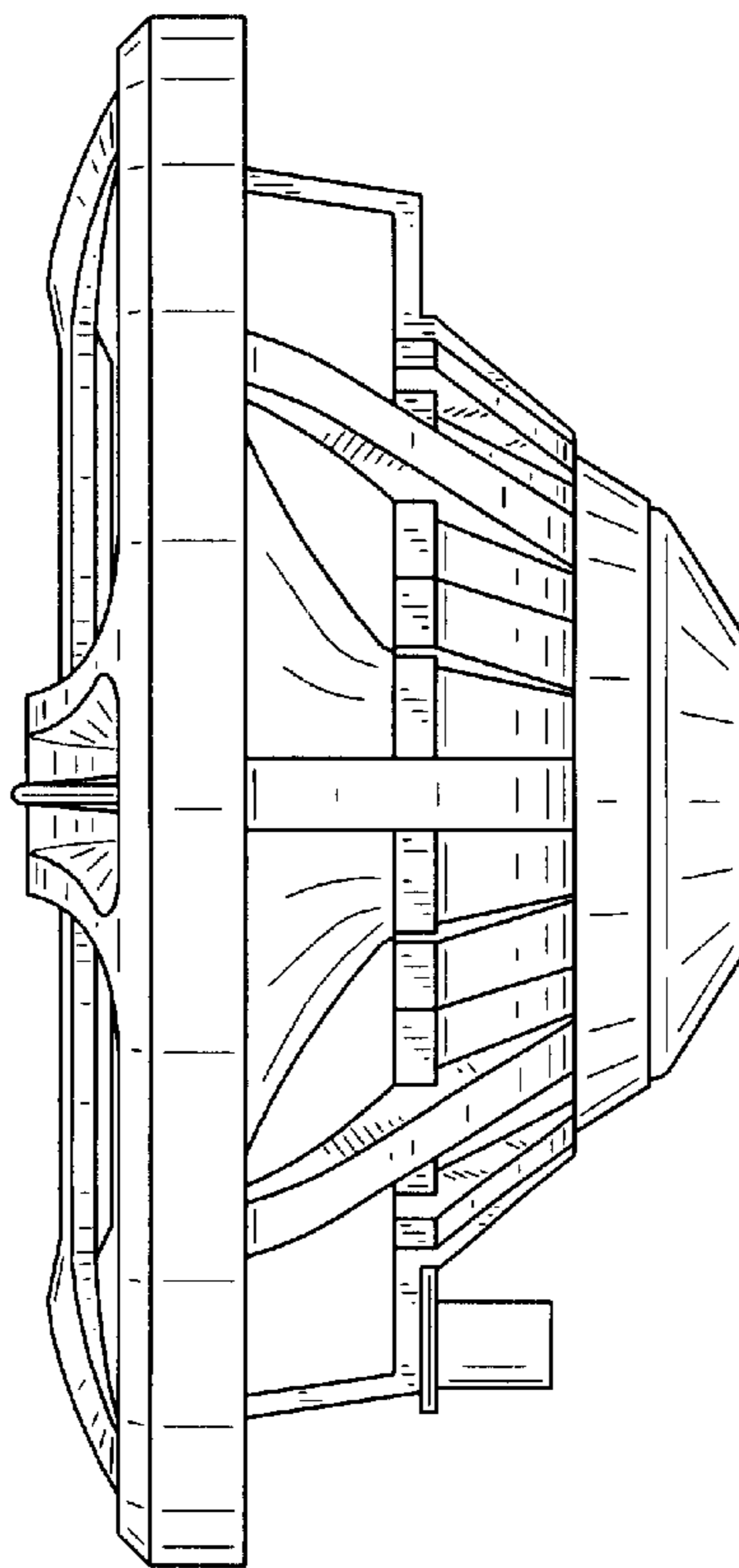


FIG. 6

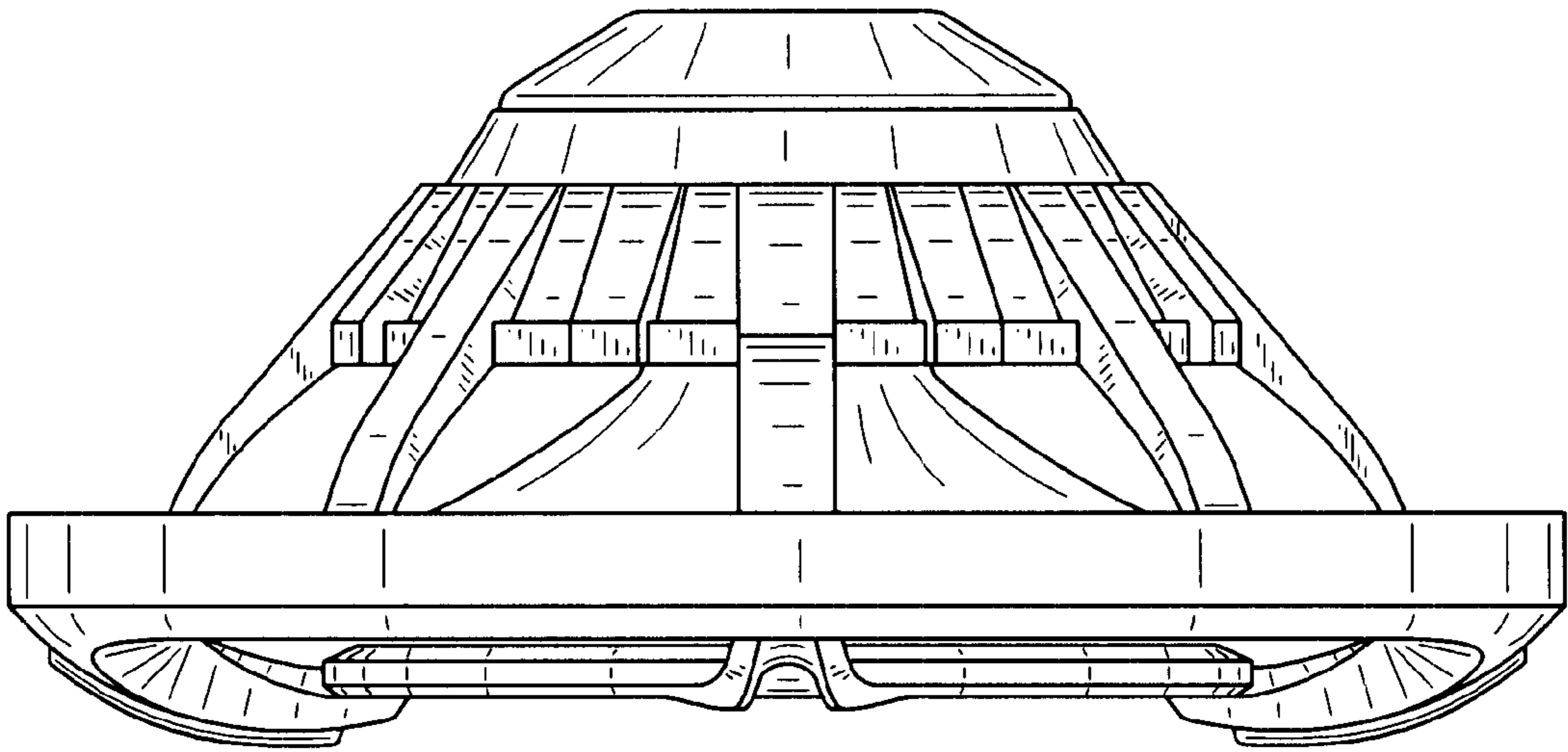


FIG. 7

