



US00D480067S

(12) **United States Design Patent**
Mazejka

(10) **Patent No.:** **US D480,067 S**

(45) **Date of Patent:** **** Sep. 30, 2003**

(54) **LOUDSPEAKER**

D200,776 S * 4/1965 Robbins D14/216
4,082,159 A * 4/1978 Petty 181/156

(75) Inventor: **John W. Mazejka**, Charlton, MA (US)

* cited by examiner

(73) Assignee: **Bose Corporation**, Framingham, MA (US)

Primary Examiner—Nanda Bondade
(74) *Attorney, Agent, or Firm*—Fish & Richardson, P.C.

(**) Term: **14 Years**

(57) **CLAIM**

(21) Appl. No.: **29/157,230**

The ornamental design for a loudspeaker, substantially as shown and described.

(22) Filed: **Mar. 15, 2002**

DESCRIPTION

(51) **LOC (7) Cl.** **14-01**

(52) **U.S. Cl.** **D14/215; D14/204**

(58) **Field of Search** D14/204, 207,
D14/209–216, 356; 181/144–145, 147–148,
150, 153, 157, 198–199; 381/300–302,
306, 333, 345, 361–364, 386–388

FIG. 1 is a top perspective view of a loudspeaker showing my new design;

FIG. 2 is a bottom perspective view thereof;

FIG. 3 is a top plan view thereof;

FIG. 4 is a bottom plan view thereof;

FIG. 5 is a right side elevational view thereof;

FIG. 6 is a left side elevational view thereof;

FIG. 7 is a rear elevational view thereof; and,

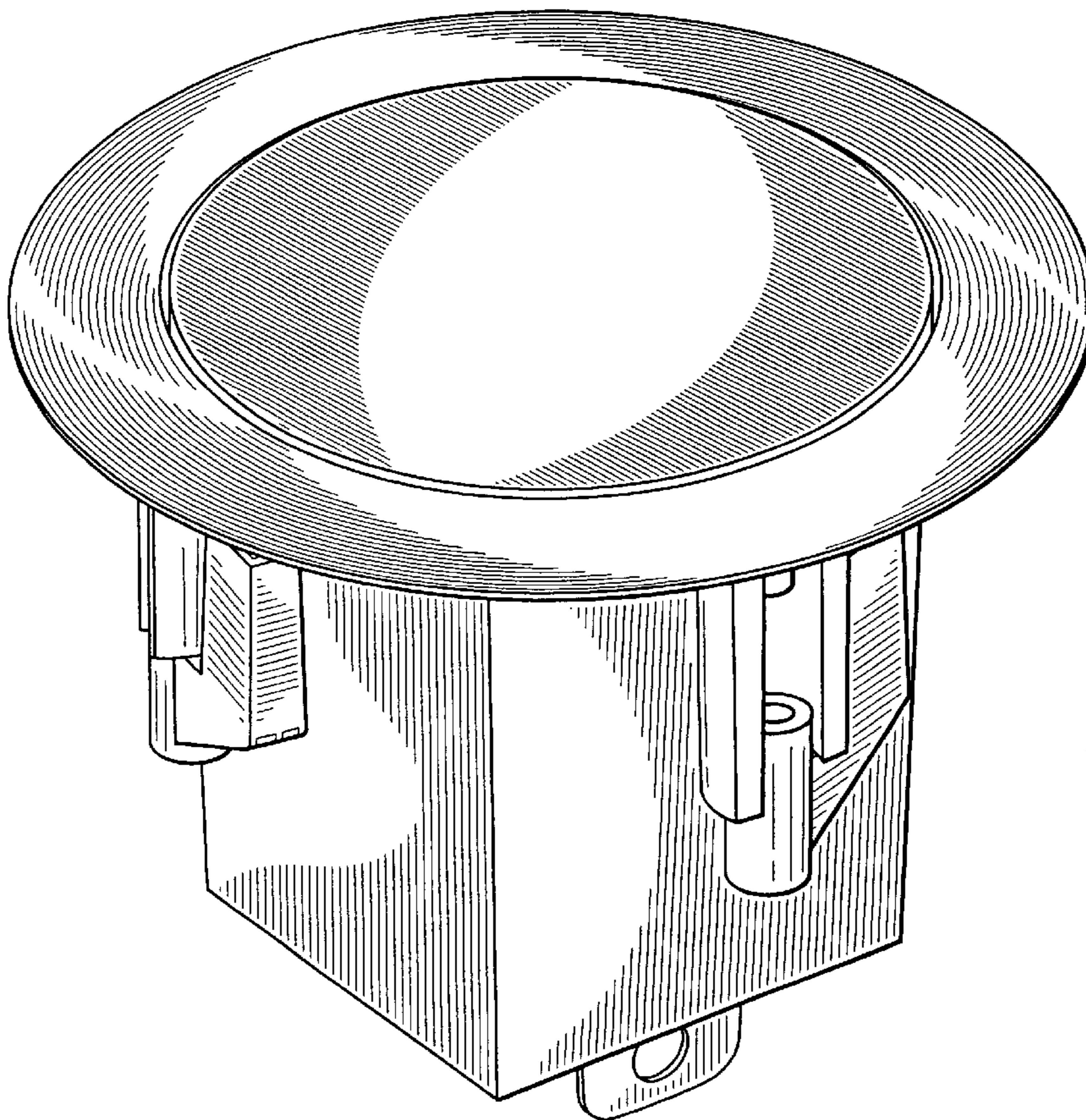
FIG. 8 is a front elevational view thereof.

(56) **References Cited**

U.S. PATENT DOCUMENTS

D158,448 S * 5/1950 Ethington D14/215

1 Claim, 6 Drawing Sheets



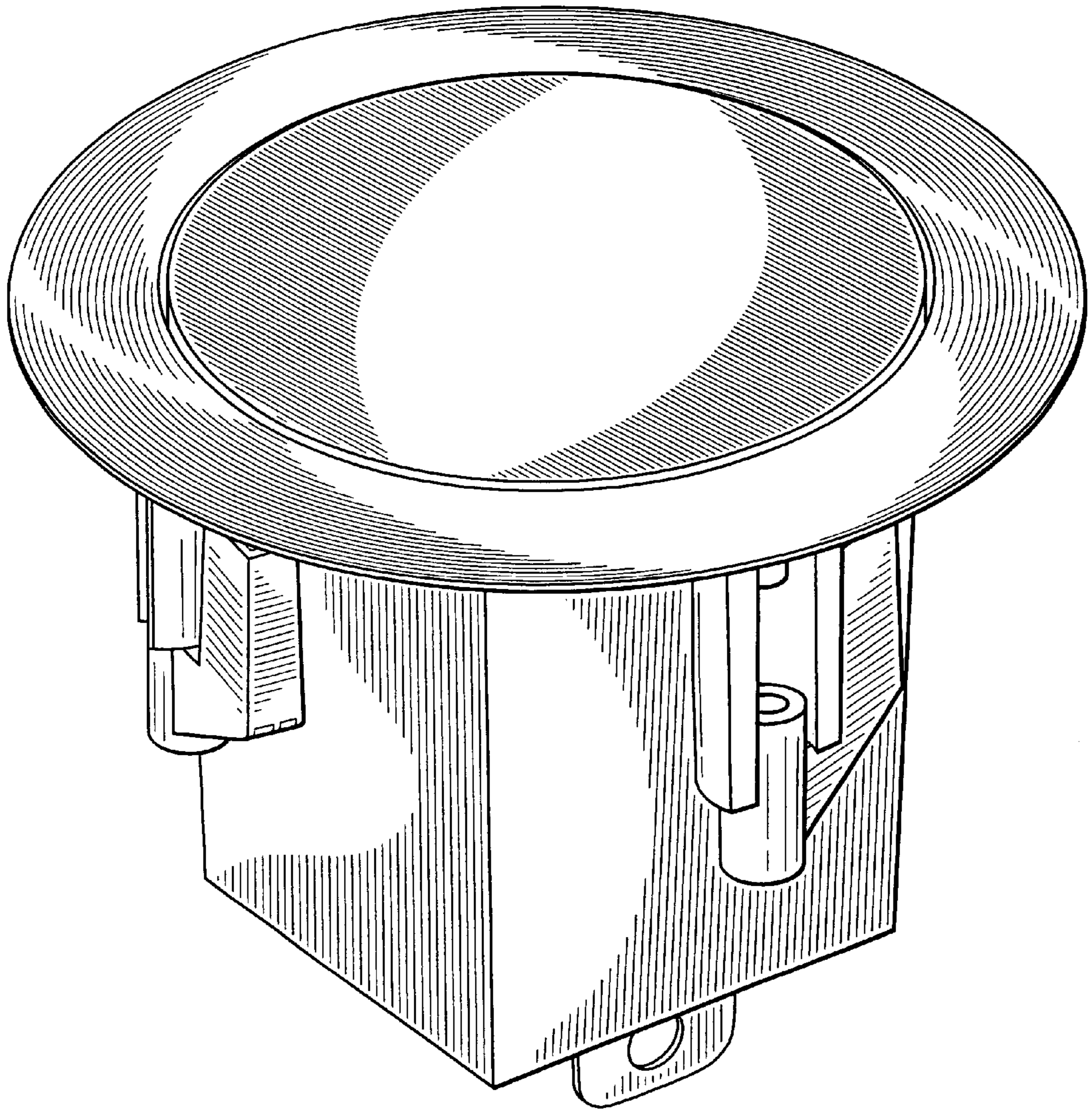


FIG. 1

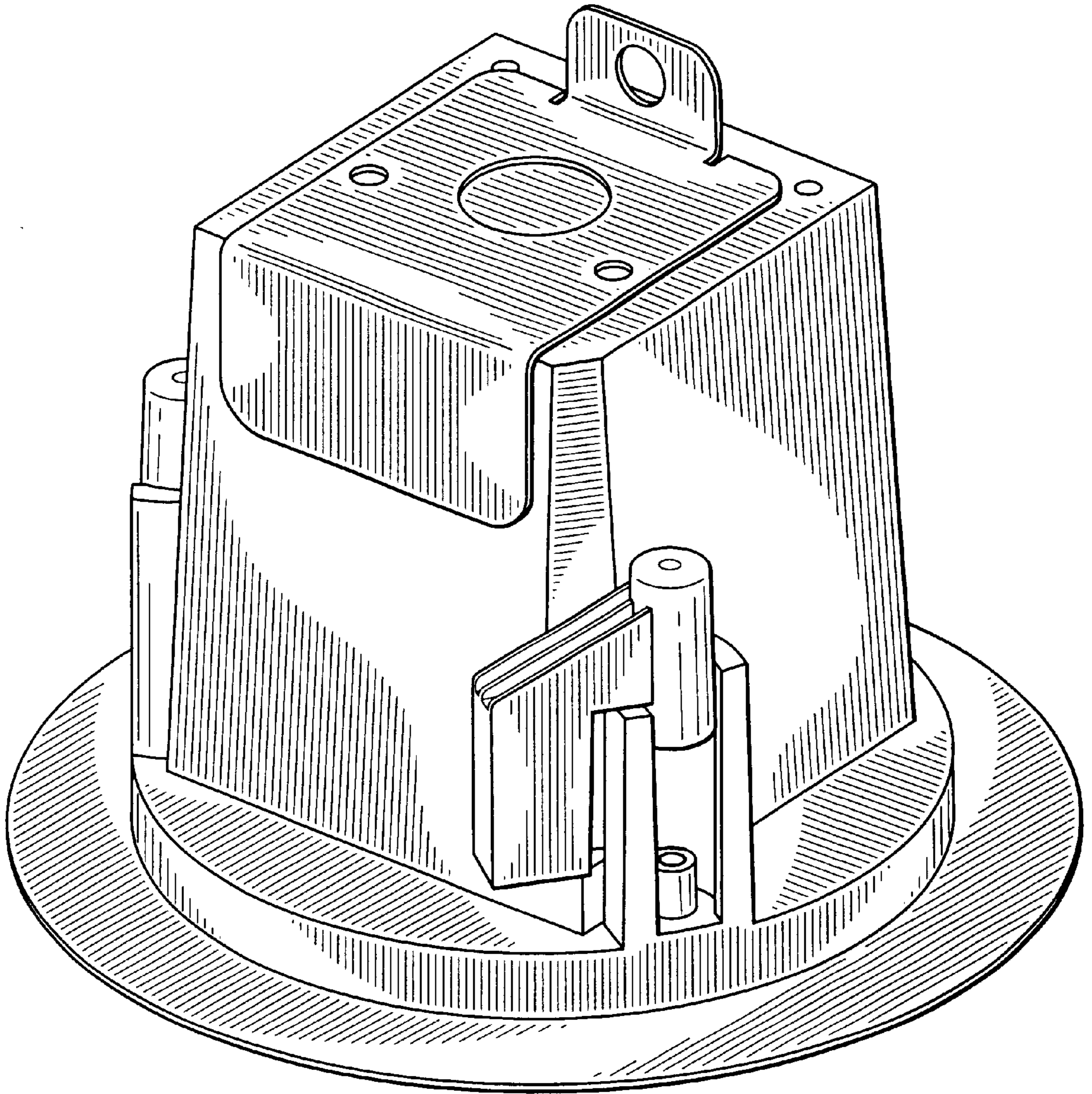


FIG. 2

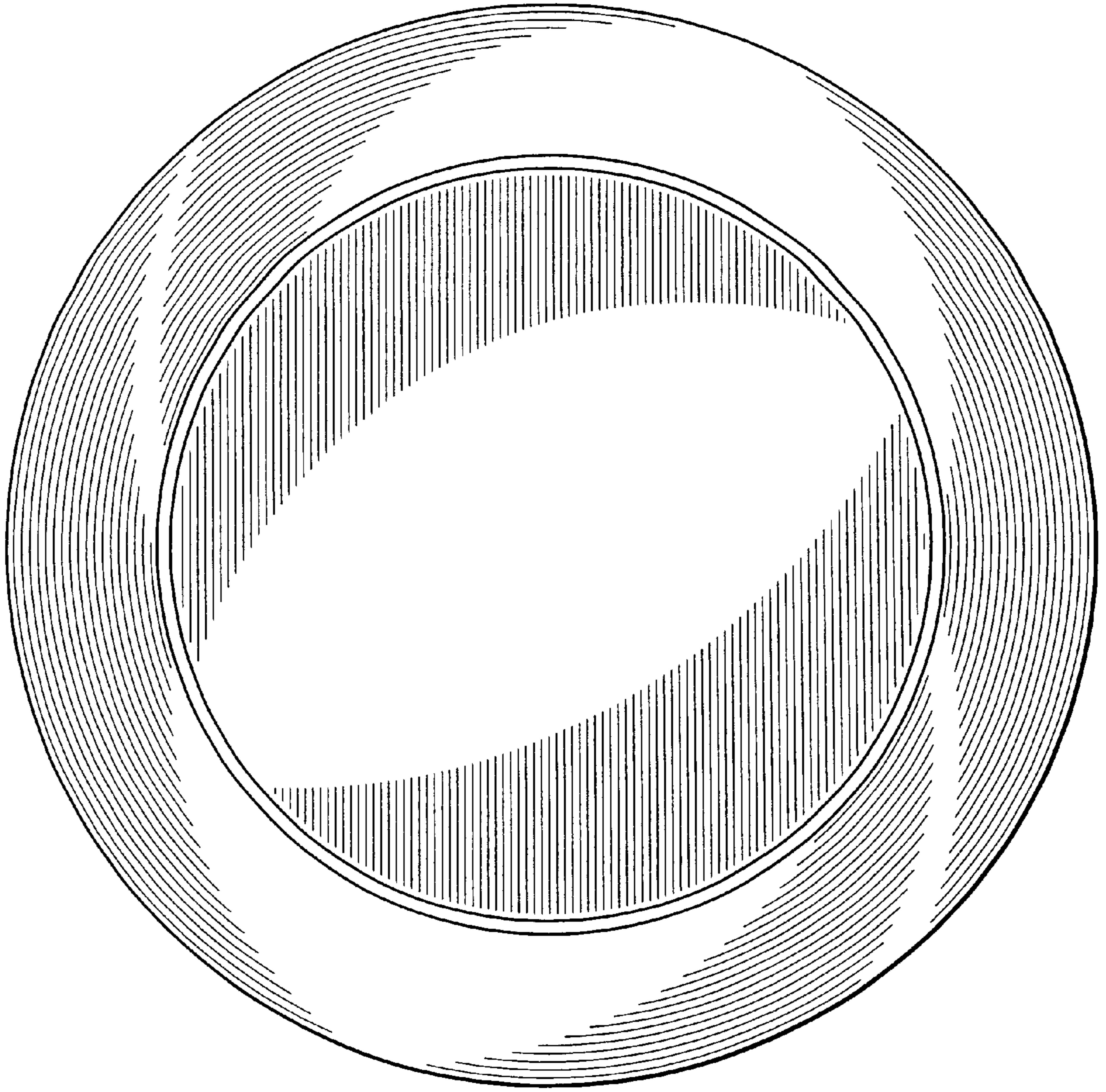


FIG. 3

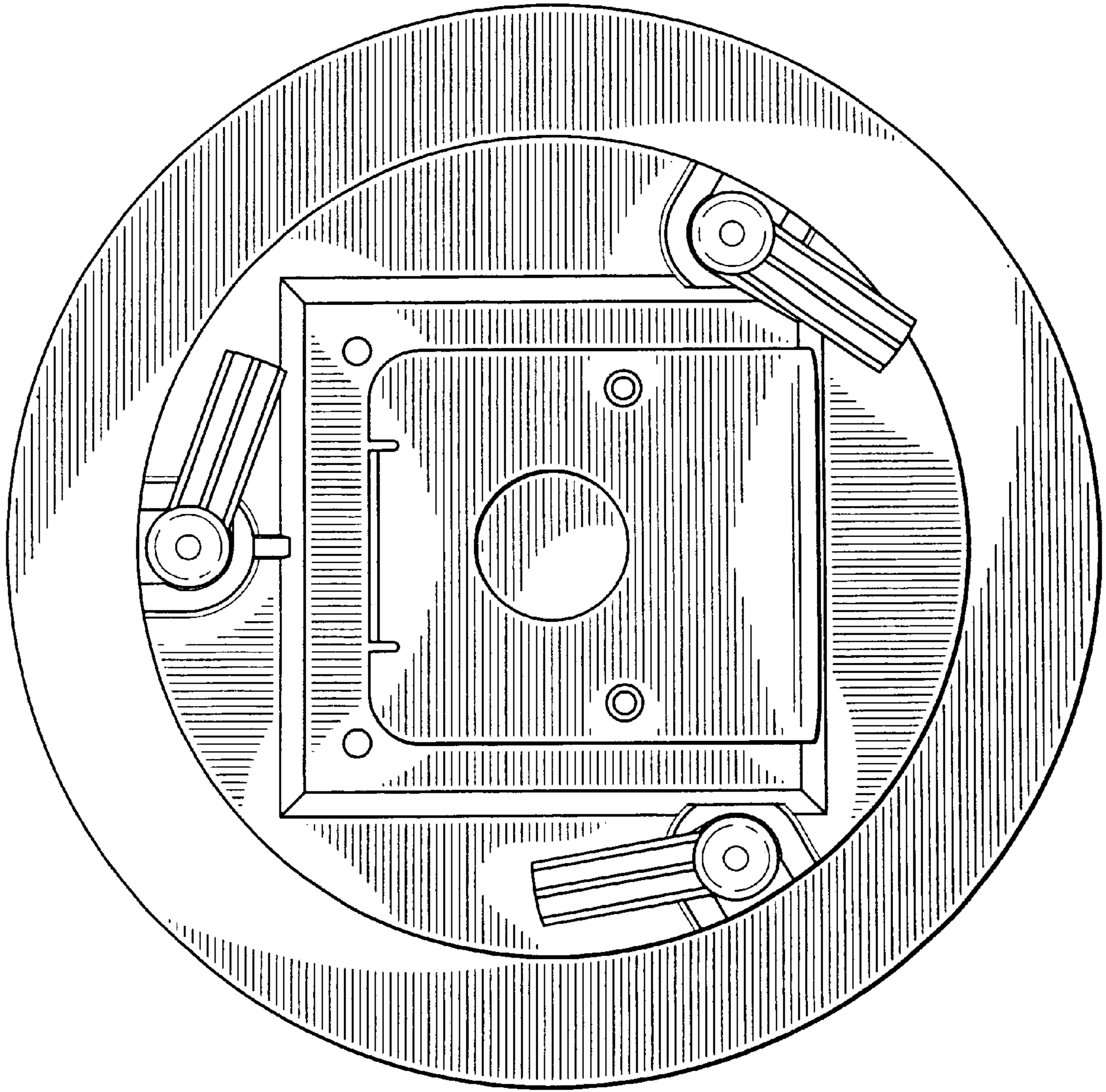


FIG. 4

FIG. 5

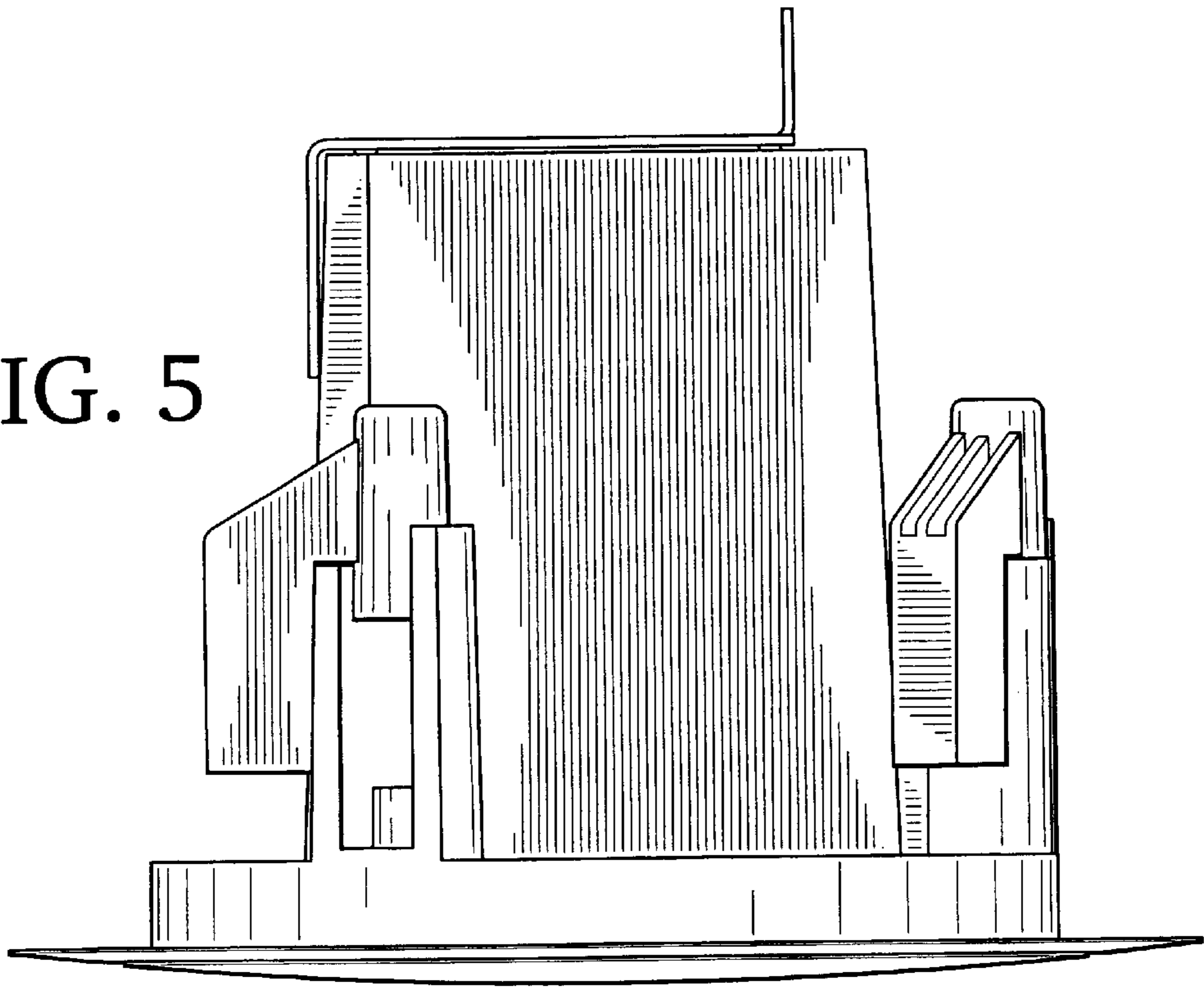


FIG. 6

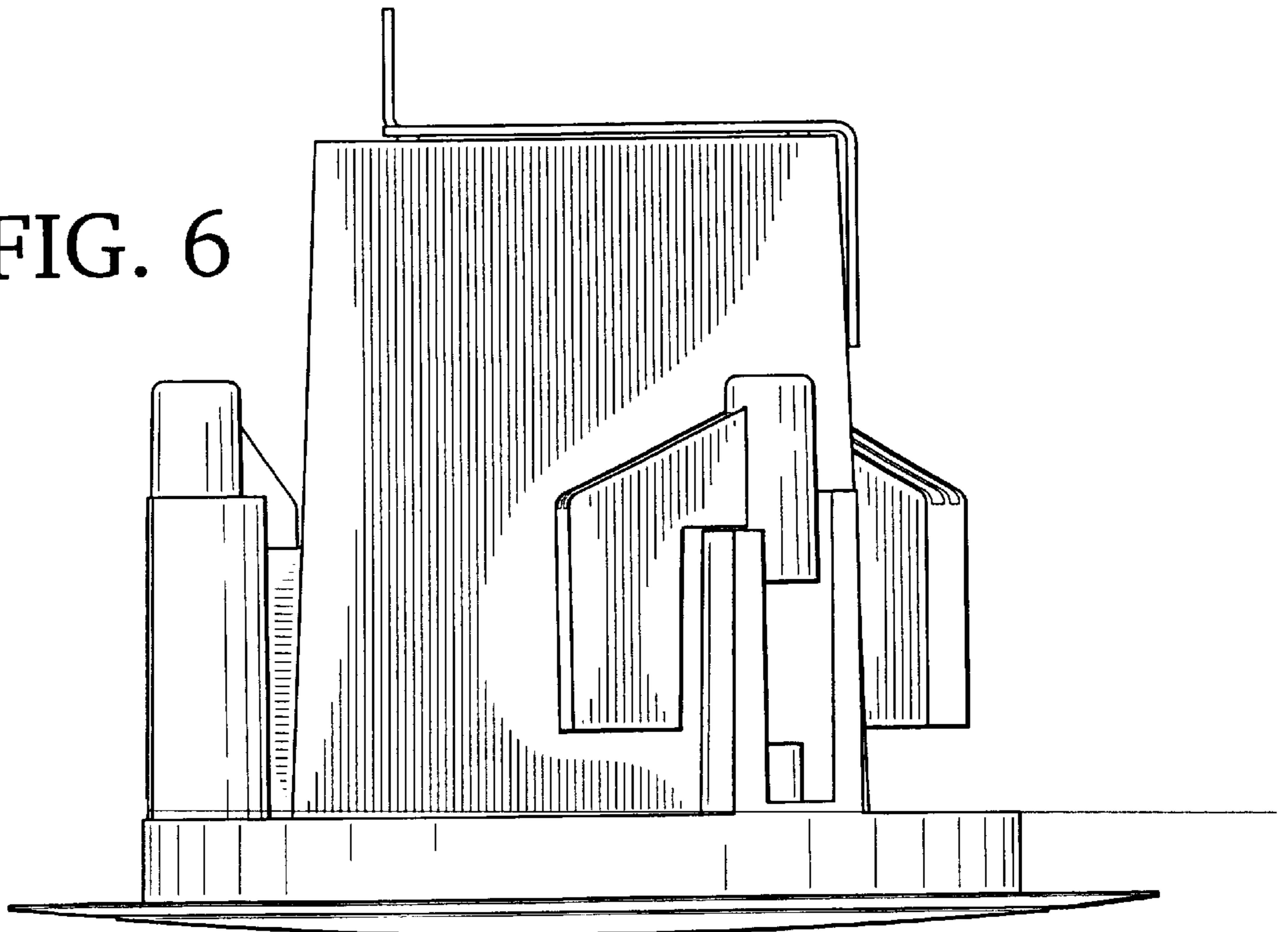


FIG. 7

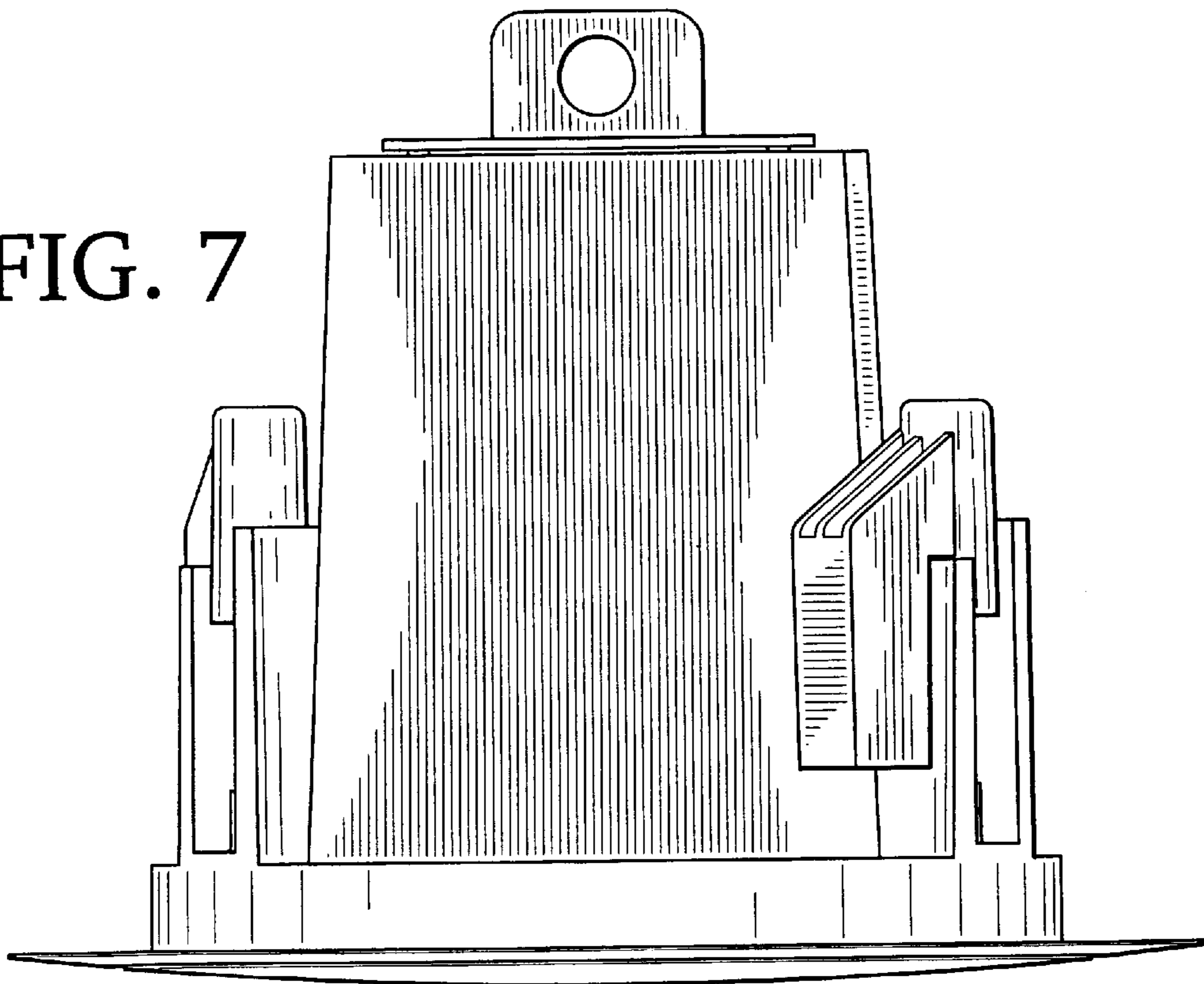


FIG. 8

