



US00D480064S

(12) **United States Design Patent**  
**Tsui**

(10) **Patent No.:** **US D480,064 S**

(45) **Date of Patent:** **\*\* Sep. 30, 2003**

(54) **RADIO**

(76) **Inventor:** **Chi-Keung Tsui**, Flat C, 19/F., Grand Pacific Heights, TMTL 400 Hong Fai Road, Siu Lam, Tuen Mun, New Territories (HK)

(\*\*) **Term:** **14 Years**

(21) **Appl. No.:** **29/161,971**

(22) **Filed:** **Jun. 10, 2002**

(51) **LOC (7) Cl.** ..... **14-03**

(52) **U.S. Cl.** ..... **D14/192**

(58) **Field of Search** ..... D14/188, 198,  
D14/204, 216, 275, 195; 455/344, 347-351,  
130

(56) **References Cited**

**U.S. PATENT DOCUMENTS**

4,676,619	A	*	6/1987	Woolley	.....	455/344
D326,853	S	*	6/1992	Ogasawara	.....	D14/188
D348,883	S	*	7/1994	Peersmann	.....	D14/188
D352,714	S	*	11/1994	Ichikawa et al.	.....	D14/188
D372,475	S	*	8/1996	Shudo	.....	D14/188

D381,983 S \* 8/1997 Nagal ..... D14/168

D395,885 S \* 7/1998 Hough et al. .... D14/188

5,883,859 A \* 3/1999 Bentley ..... 455/344

6,049,290 A \* 4/2000 Halstead ..... 455/344

D453,924 S \* 2/2002 Chen ..... D14/188

\* cited by examiner

*Primary Examiner*—Prabhakar Deshmukh

(74) *Attorney, Agent, or Firm*—Burns, Doane, Swecker & Mathis, L.L.P.

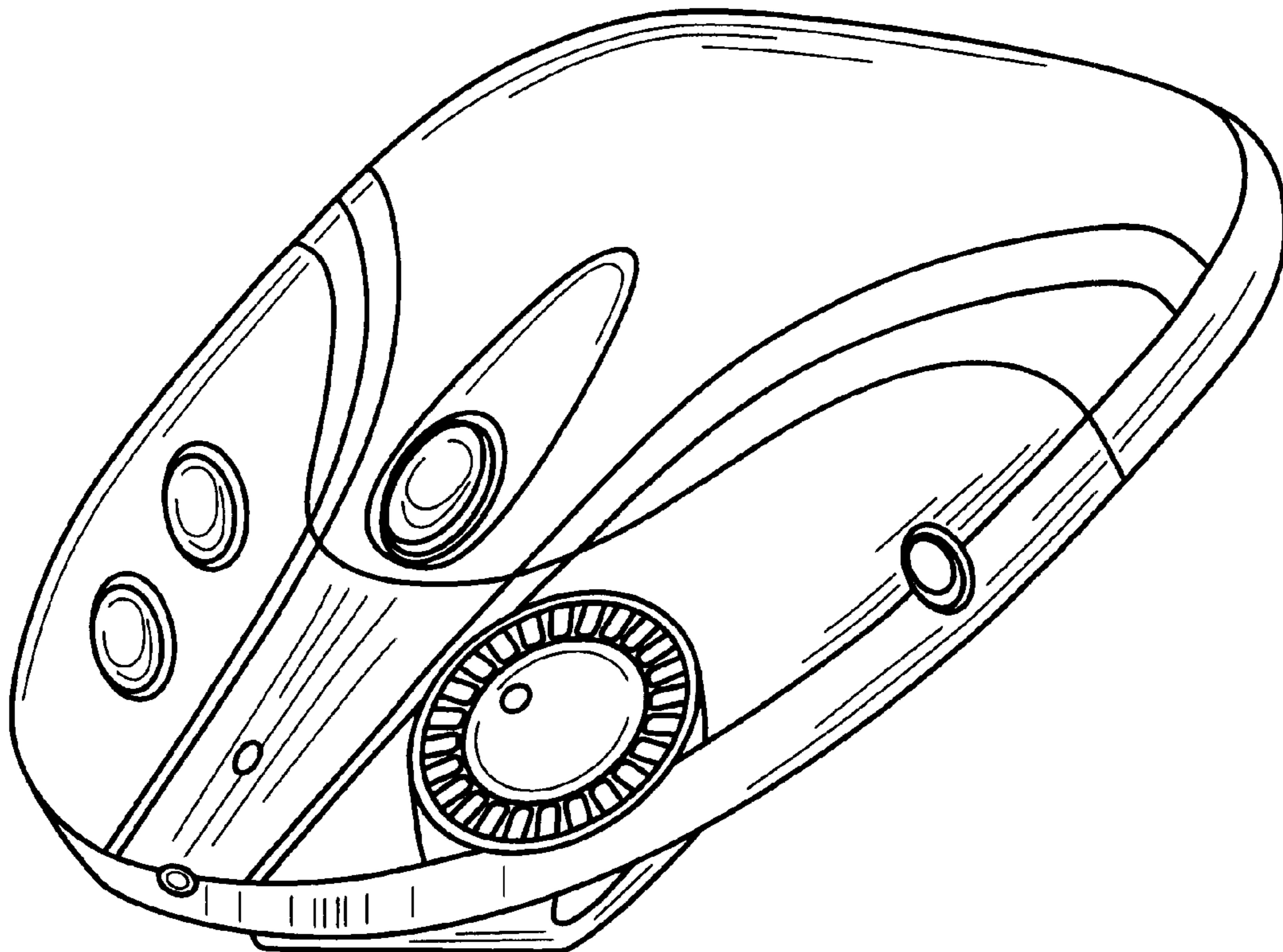
(57) **CLAIM**

The ornamental design for a “radio”, as shown and described.

**DESCRIPTION**

FIG. 1 is a front view of a “radio” showing my design; FIG. 2 is a rear view thereof; FIG. 3 is a left side view thereof; FIG. 4 is a right side view thereof; FIG. 5 is a top plan view thereof; FIG. 6 is a bottom view thereof; and, FIG. 7 is a perspective view thereof.

**1 Claim, 4 Drawing Sheets**



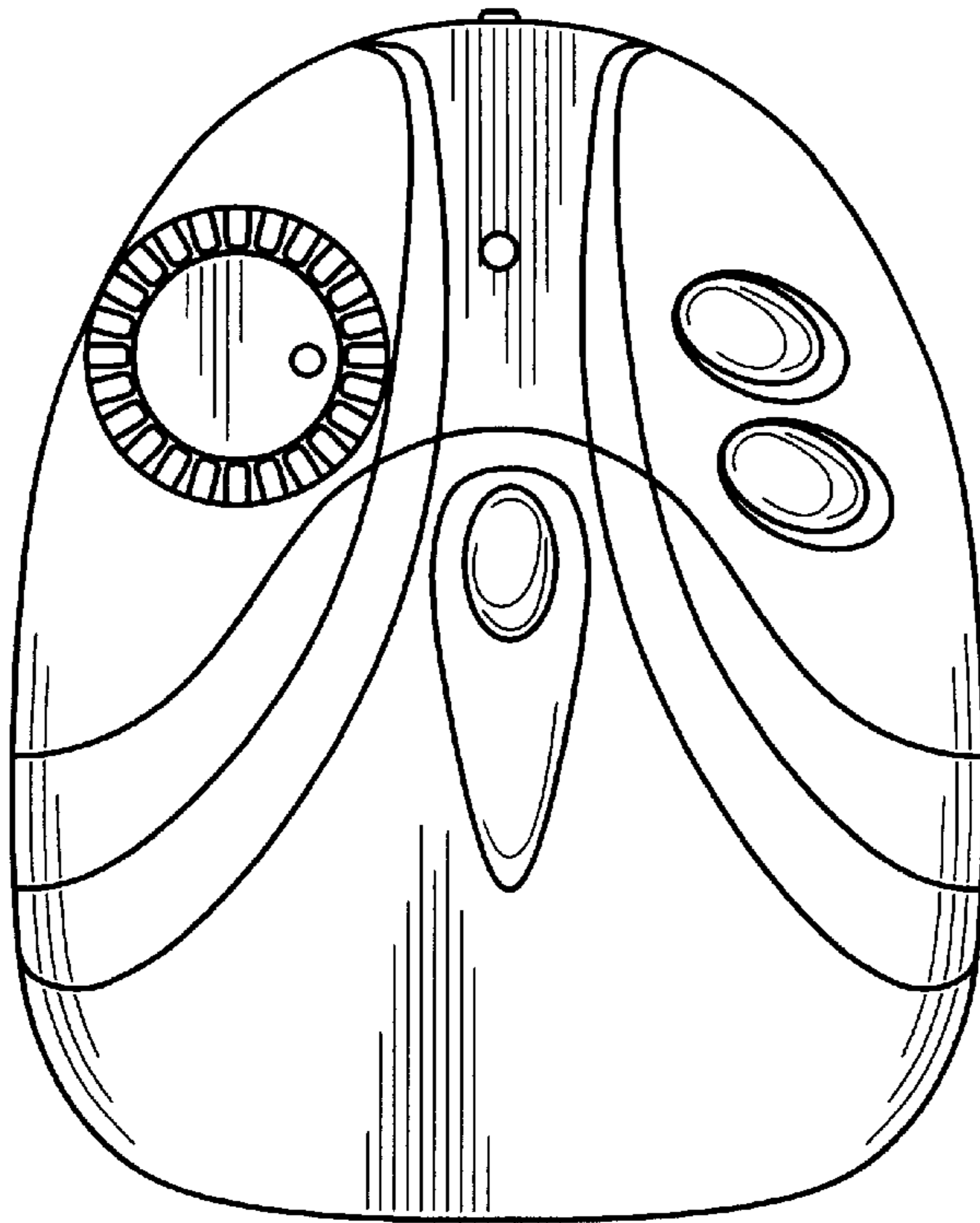


FIG. 1

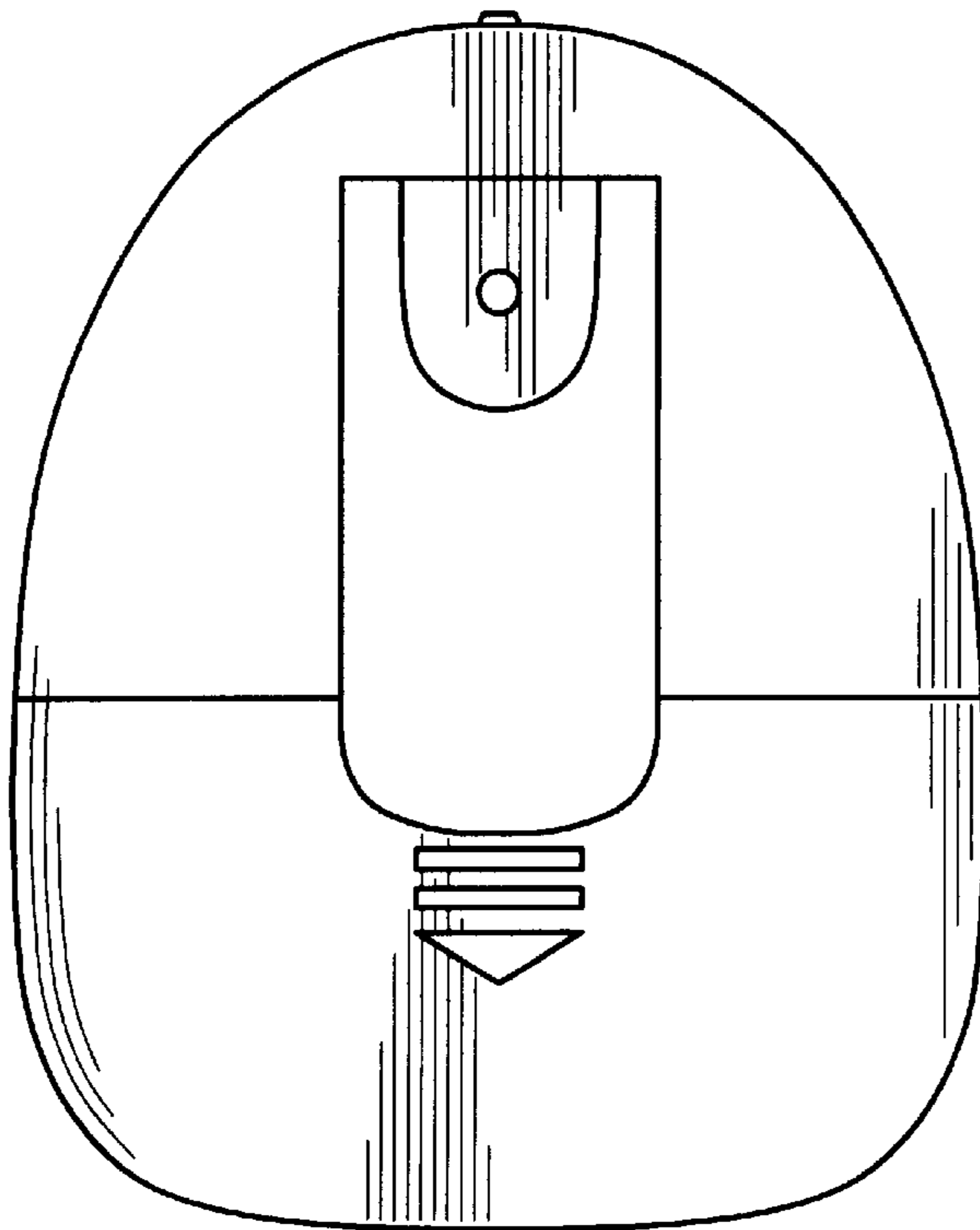


FIG. 2

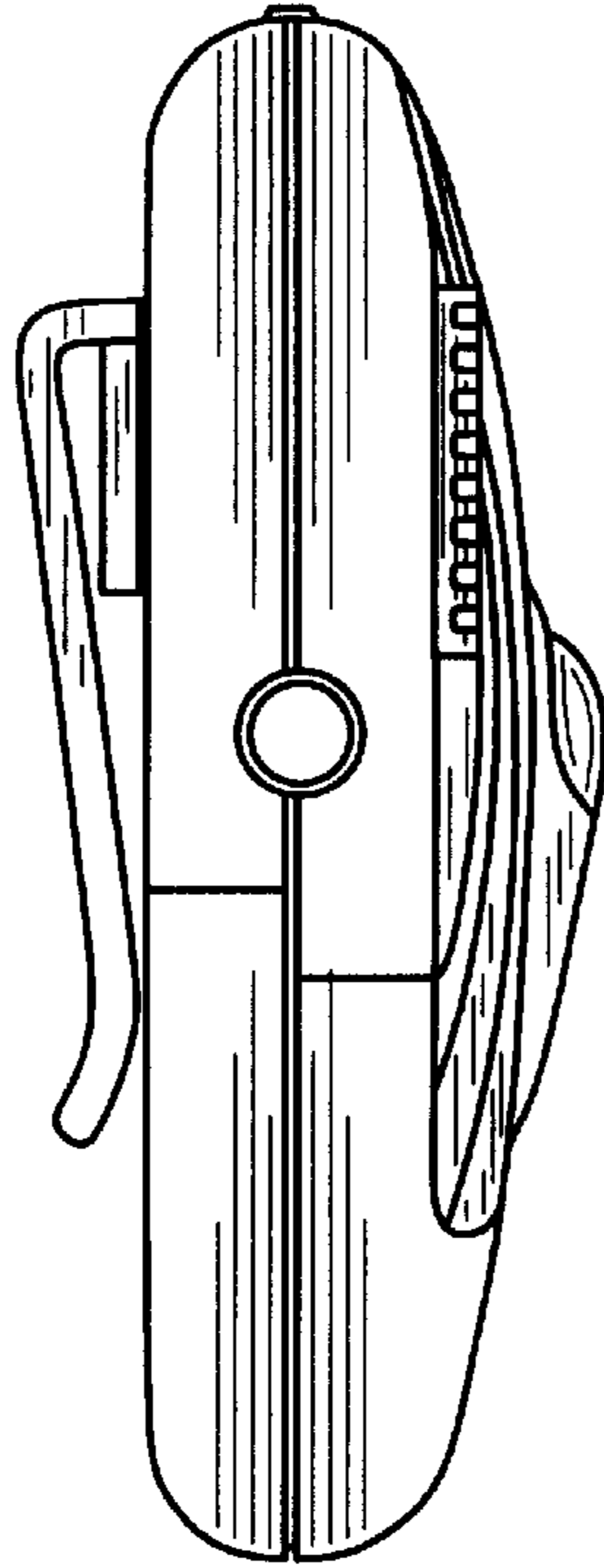


FIG. 3

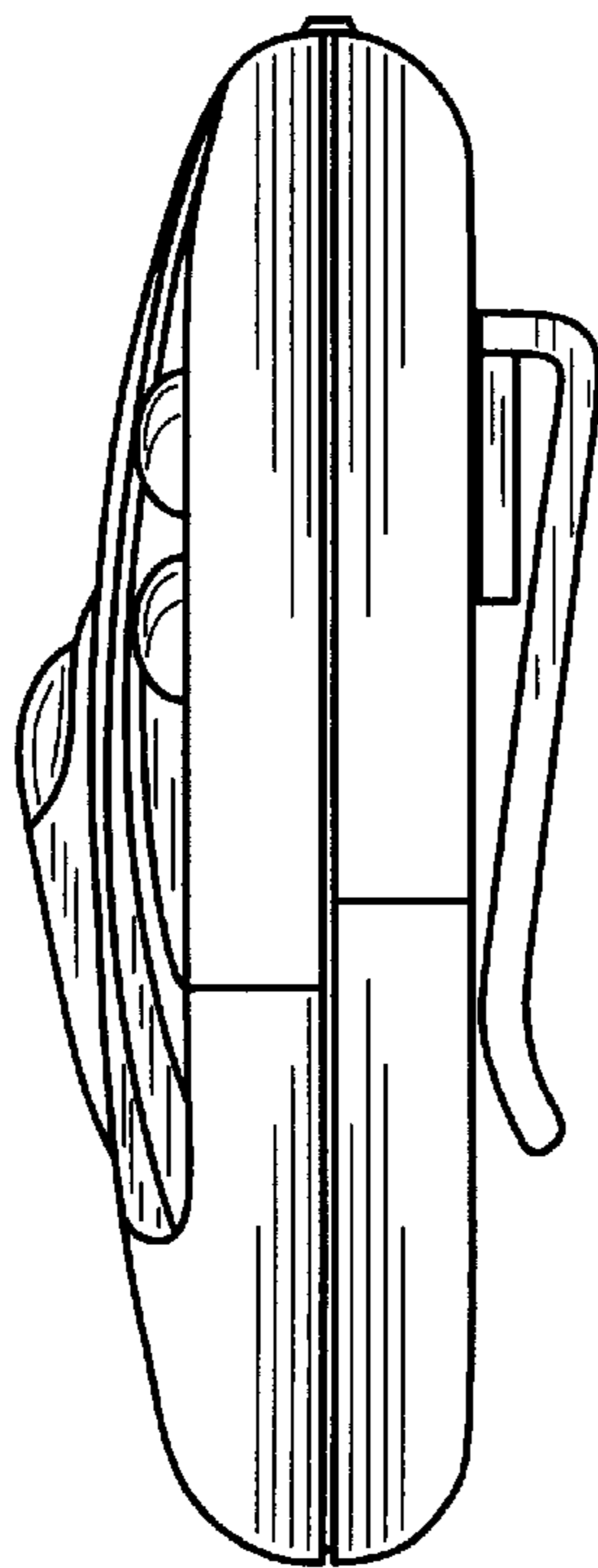


FIG. 4

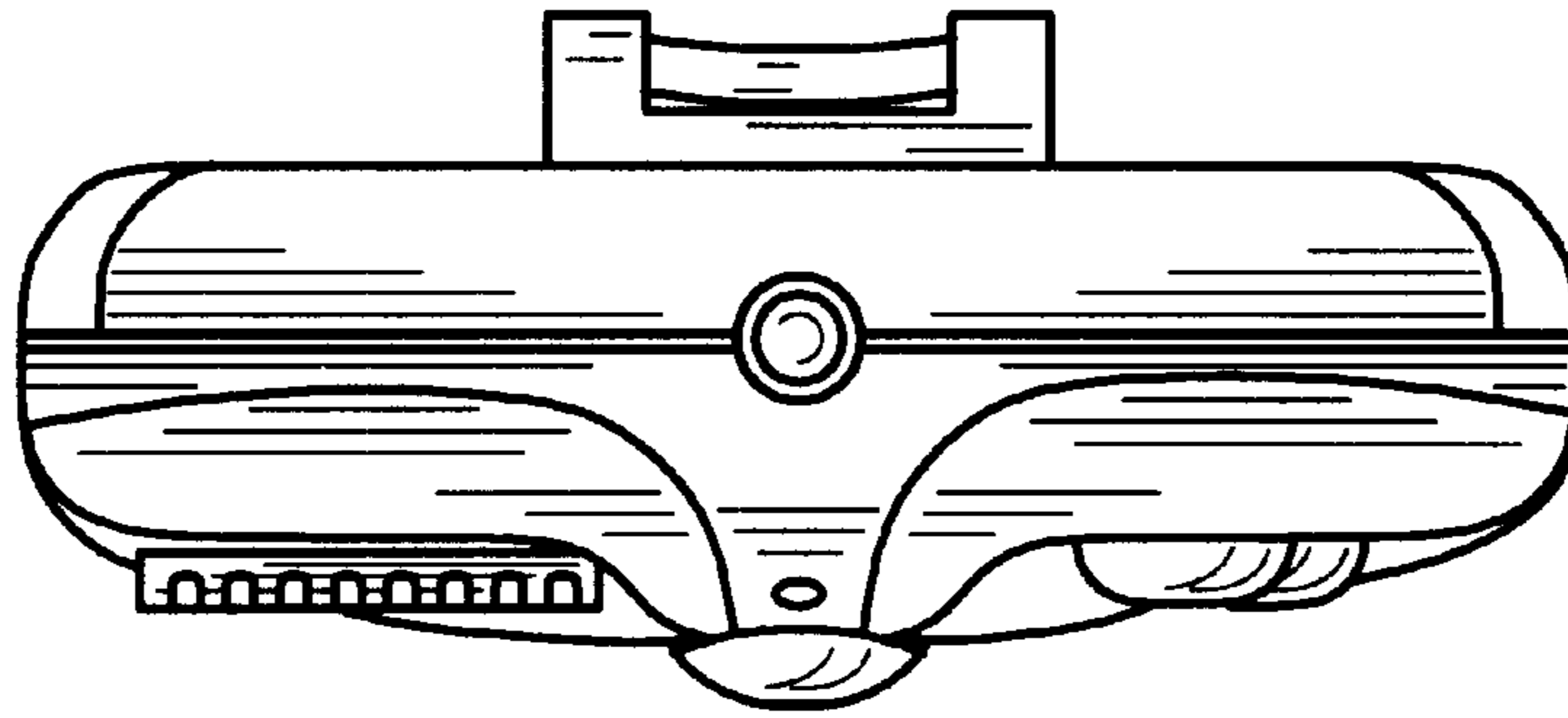


FIG. 5

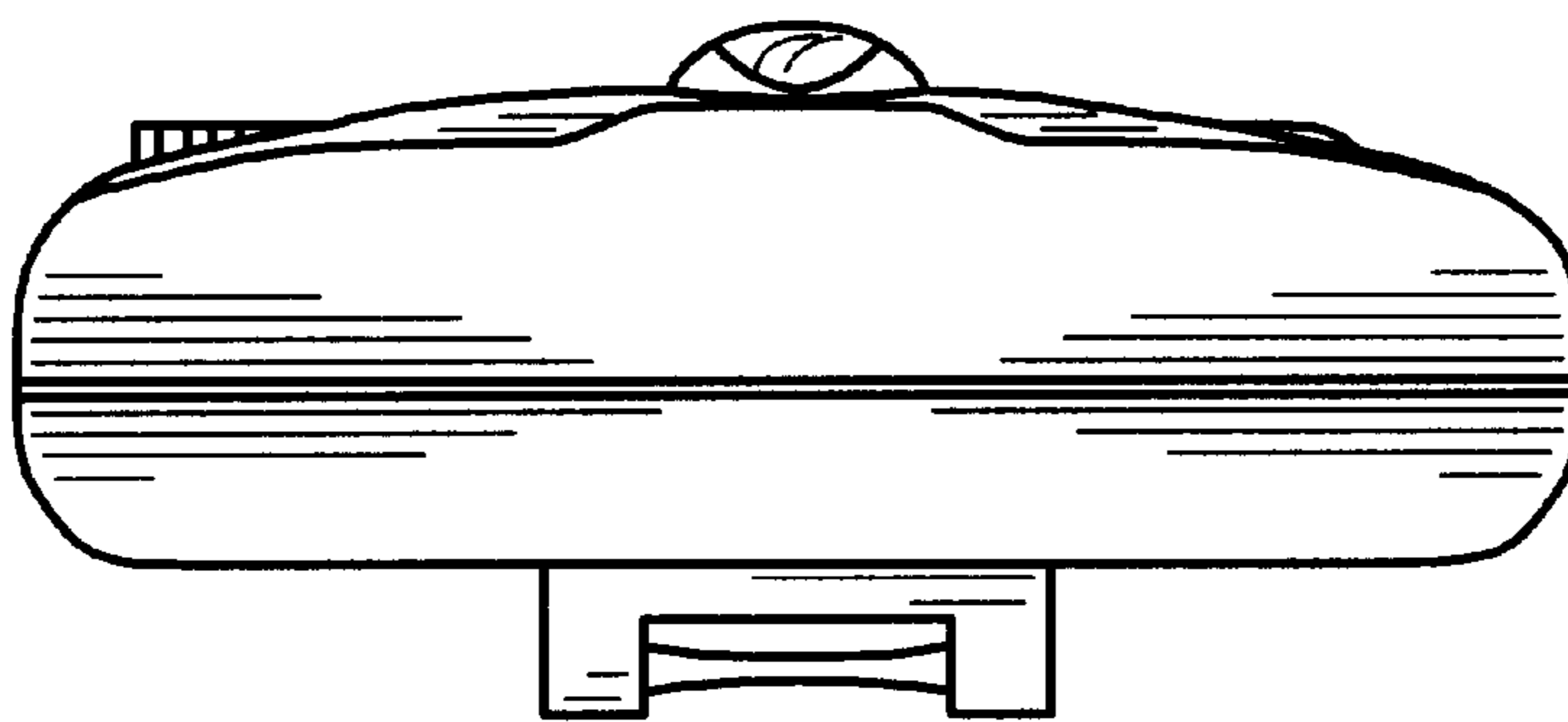


FIG. 6

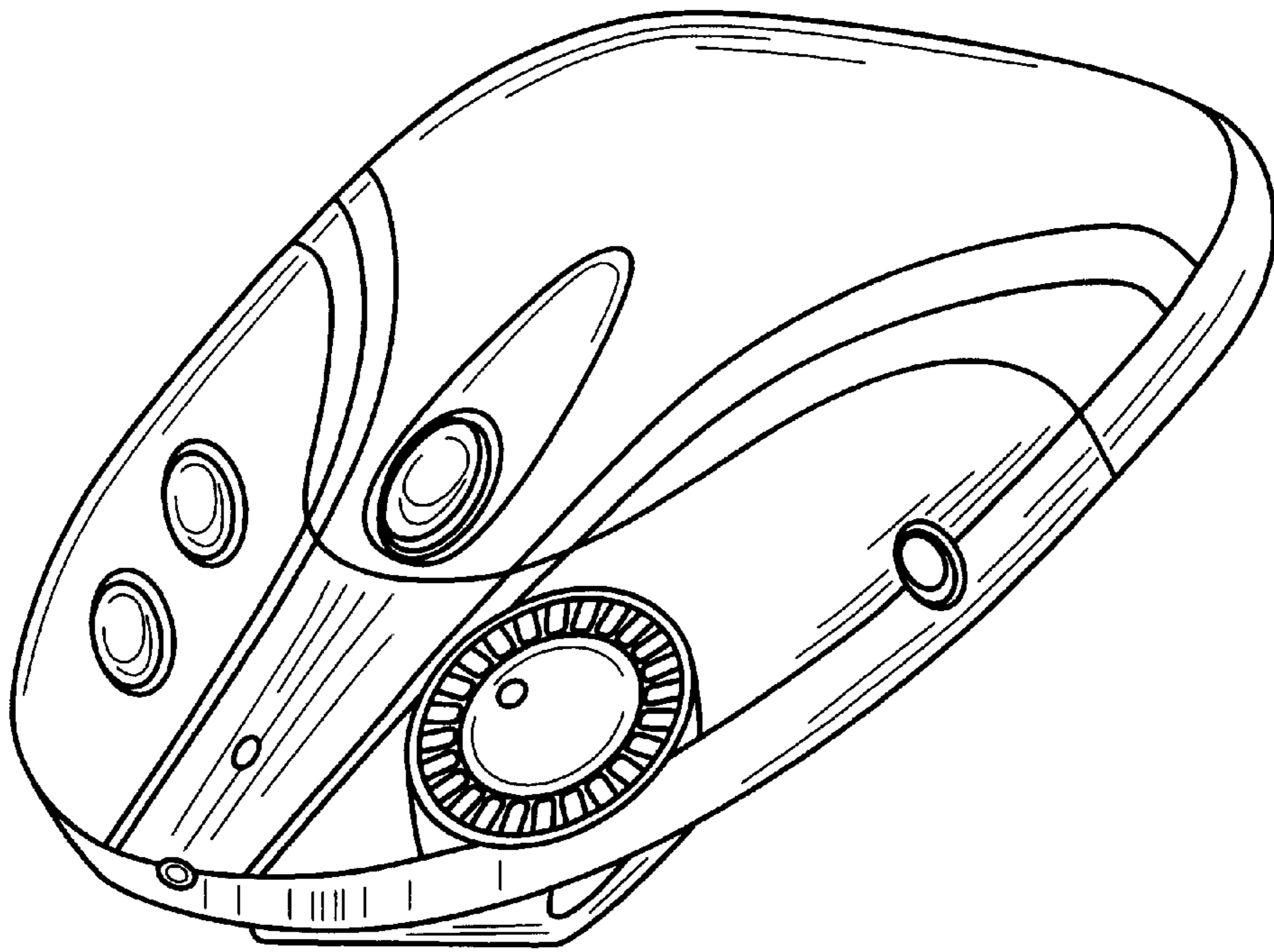


FIG. 7