



US00D480061S

(12) **United States Design Patent**
Saito

(10) **Patent No.:** **US D480,061 S**

(45) **Date of Patent:** **** Sep. 30, 2003**

(54) **COMBINED AUDIO SIGNAL PLAYER AND RECORDER**

(75) Inventor: **Daisuke Saito**, Shizuoka (JP)

(73) Assignee: **Yamaha Corporation**, Shizuoka (JP)

(**) Term: **14 Years**

(21) Appl. No.: **29/169,526**

(22) Filed: **Oct. 23, 2002**

(30) **Foreign Application Priority Data**

Apr. 26, 2002 (JP) 2002-011369

(51) **LOC (7) Cl.** **14-01**

(52) **U.S. Cl.** **D14/168**

(58) **Field of Search** D14/135-136,
D14/156-157, 160-165, 167-168, 188,
193-198, 217; 369/75.1, 75.2, 77.1, 77.2;
381/86, 120; 455/344, 346-351

(56) **References Cited**

U.S. PATENT DOCUMENTS

D268,670 S * 4/1983 Iwaoka et al. D14/136

D425,890 S * 5/2000 Kataoka D14/163
D429,233 S * 8/2000 Komiyama D14/167
D445,774 S * 7/2001 Matsuoka D14/156
D467,563 S * 12/2002 Matsuoka D14/136

* cited by examiner

Primary Examiner—Nanda Bondade

(74) *Attorney, Agent, or Firm*—Sughrue Mion, PLLC

(57) **CLAIM**

The ornamental design for a combined audio signal player and recorder, as shown.

DESCRIPTION

FIG. 1 is a perspective view of the top, front and right side of a combined audio signal player and recorder showing my new design;

FIG. 2 is a front elevational view thereof;

FIG. 3 is a rear elevational view thereof;

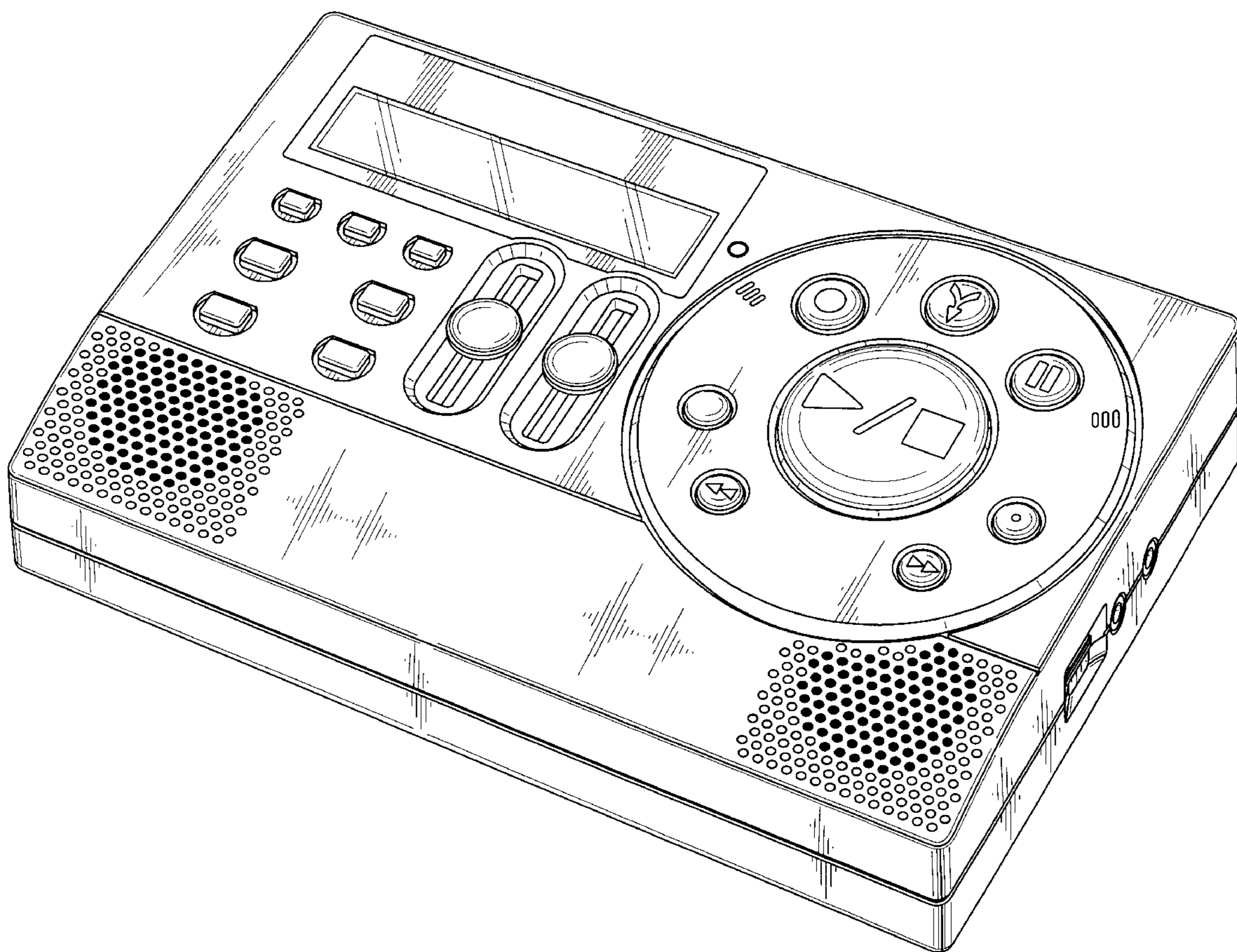
FIG. 4 is a right side elevational view thereof;

FIG. 5 is a left side elevational view thereof;

FIG. 6 is a top plan view thereof; and,

FIG. 7 is a bottom plan view thereof.

1 Claim, 5 Drawing Sheets



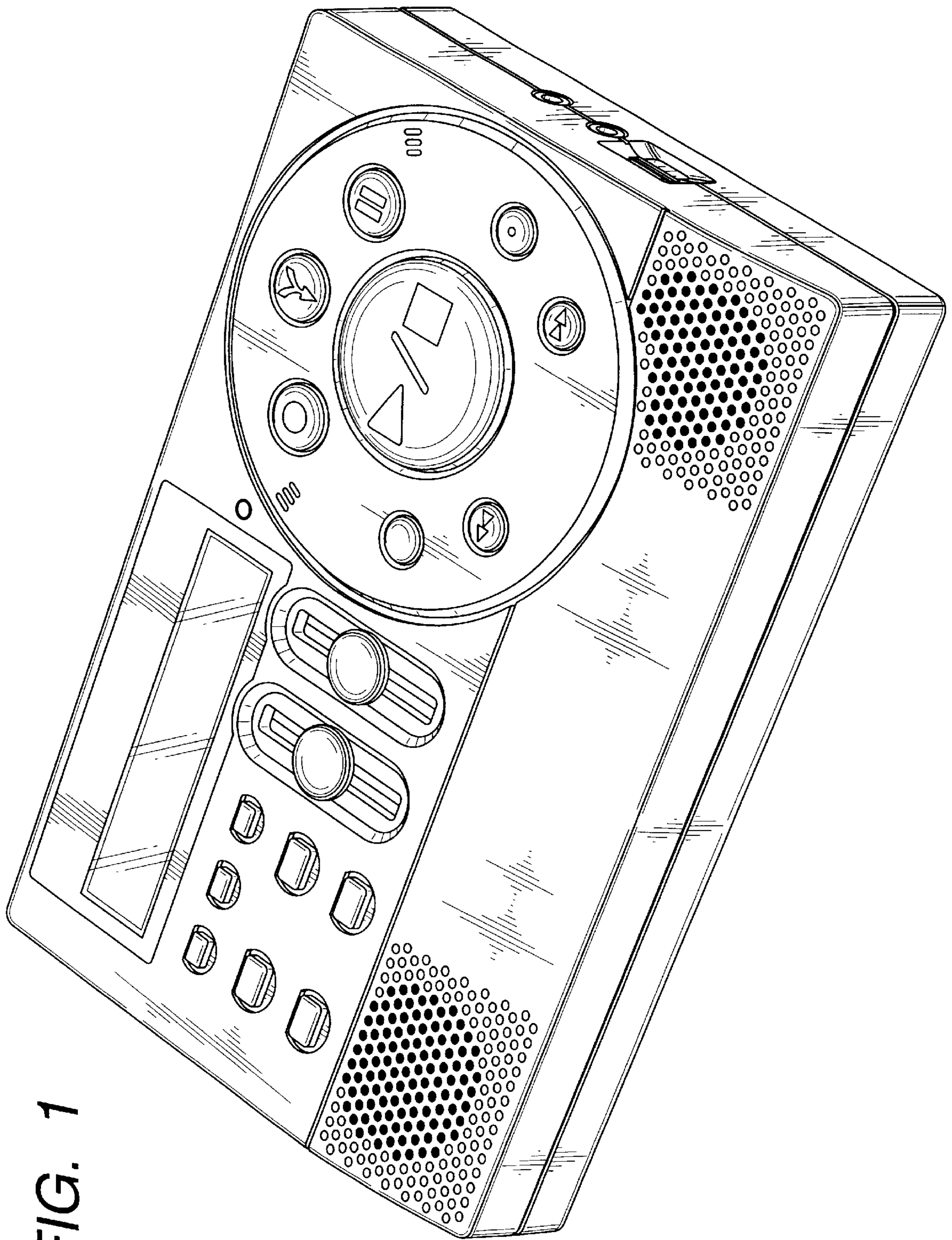


FIG. 1

FIG. 2

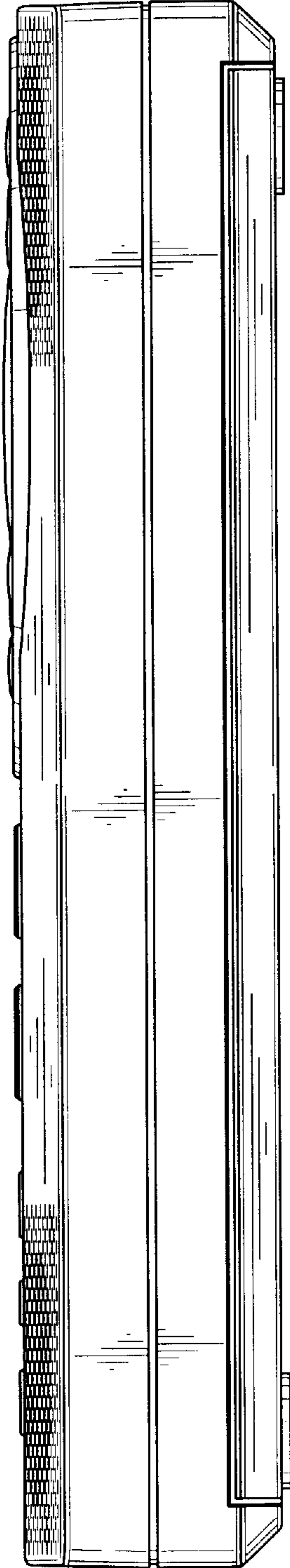


FIG. 3

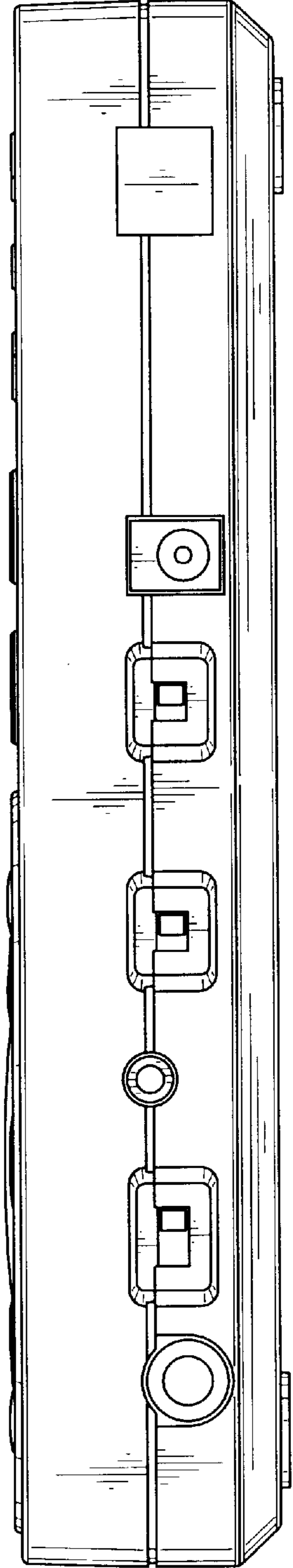


FIG. 4

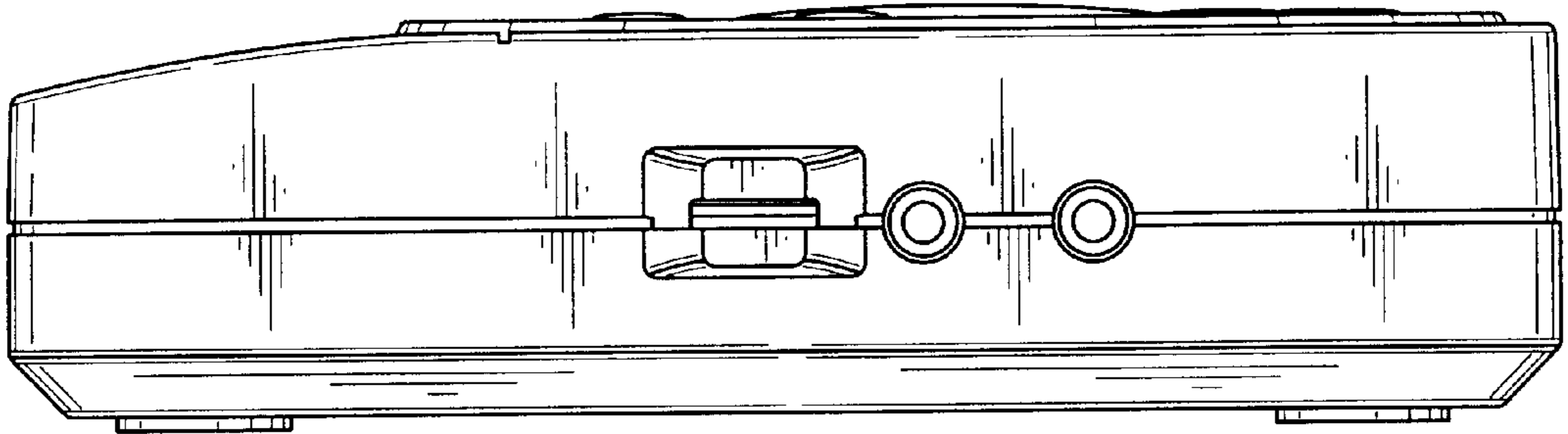


FIG. 5

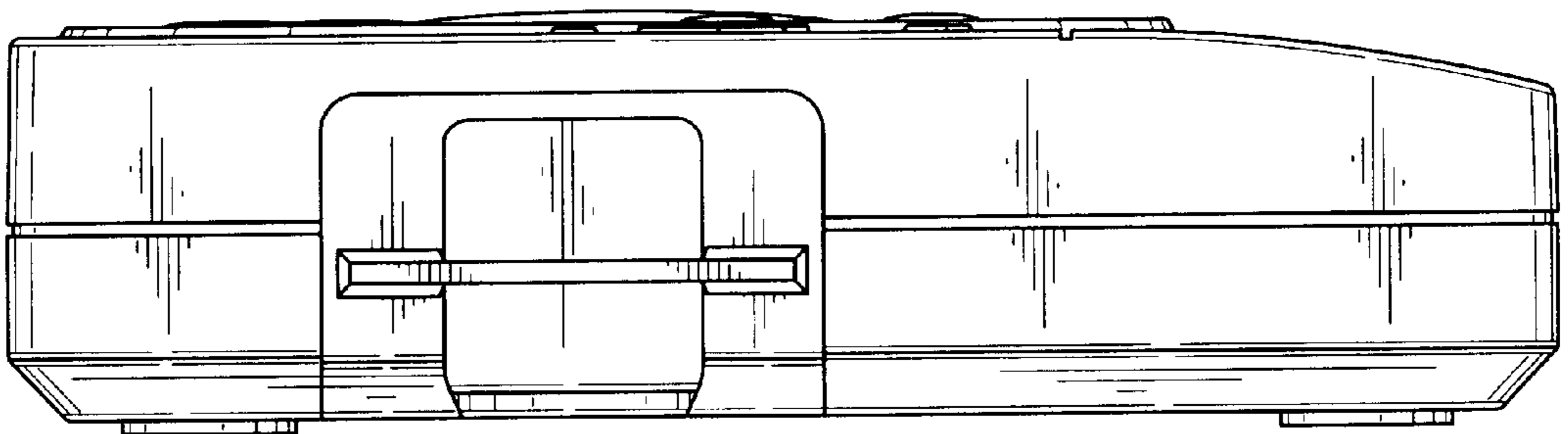


FIG. 6

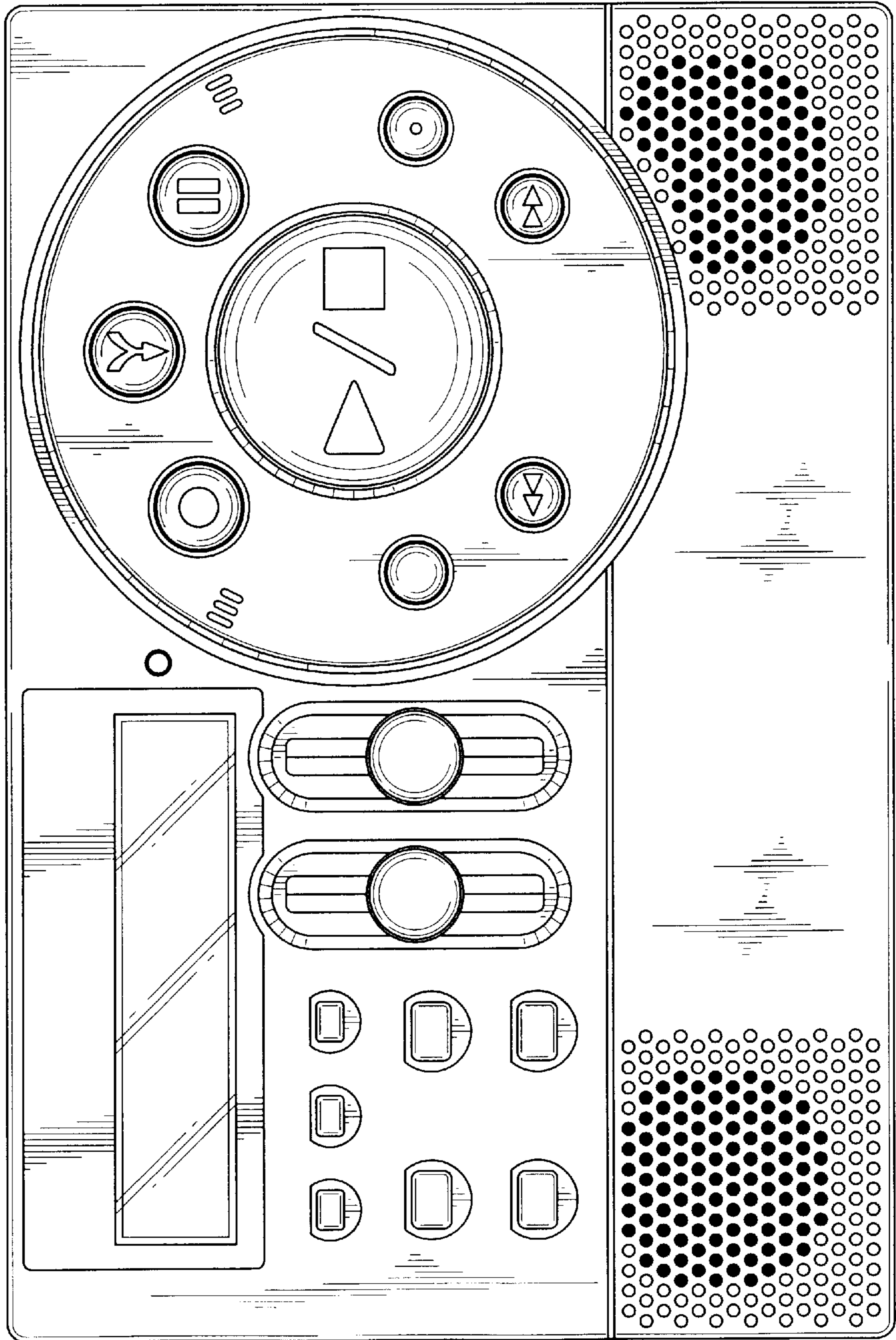


FIG. 7

