



US00D480060S

(12) **United States Design Patent**
Siokola

(10) **Patent No.:** **US D480,060 S**

(45) **Date of Patent:** **** Sep. 30, 2003**

(54) **WIRELESS MICROPHONE TRANSMITTER**

(75) **Inventor:** **Mario Siokola, Vienna (AT)**

(73) **Assignee:** **Harman International Industries, Incorporated, Northridge, CA (US)**

(**) **Term:** **14 Years**

(21) **Appl. No.:** **29/156,868**

(22) **Filed:** **Mar. 8, 2002**

(51) **LOC (7) Cl.** **14-03**

(52) **U.S. Cl.** **D14/155**

(58) **Field of Search** D10/104, 106;
D14/155, 188, 225-229, 217-218, 299;
181/158, 242; 340/571, 572.1-572.9; 381/26,
92, 95, 111-118, 122, 172-174, 335, 369;
455/91-93, 117-118

(56) **References Cited**

U.S. PATENT DOCUMENTS

D175,664 S	9/1955	Aucoin	D26/14
D196,921 S	11/1963	Mattke	D26/14
D212,006 S	* 8/1968	Roberts	D14/155
D233,762 S	* 11/1974	Suyama	D14/155
D260,882 S	9/1981	McCain	D14/12
D277,753 S	2/1985	Eckmann et al.	D14/70
D278,146 S	3/1985	Young	D14/12
D280,494 S	9/1985	Abel	D10/106
D280,896 S	10/1985	Campbell et al.	D14/95
D291,886 S	9/1987	Scheid et al.	D14/68
D291,888 S	9/1987	Fong et al.	D14/95
D303,528 S	9/1989	Scheid et al.	D14/191
D303,658 S	9/1989	Spira et al.	D13/32

4,944,016 A	*	7/1990	Christian	381/74
5,018,204 A	*	5/1991	Christian	381/74
D354,061 S		1/1995	Desbarats	D14/248
D358,816 S		5/1995	Scheid	D14/191
D408,825 S		4/1999	Johnson et al.	D14/248
D420,669 S		2/2000	Lindahl	D14/227
D427,178 S		6/2000	Cory et al.	D14/217
D430,147 S	*	8/2000	Willkens et al.	D14/240
D445,705 S	*	7/2001	Kliegman et al.	D10/104
D453,506 S		2/2002	Liou et al.	D14/225

* cited by examiner

Primary Examiner—Nanda Bondade

(74) *Attorney, Agent, or Firm*—Plumsea Law Group, LLC

(57) **CLAIM**

The ornamental design for a wireless microphone transmitter, as shown and described.

DESCRIPTION

FIG. 1 is a perspective view of the wireless microphone transmitter.

FIG. 2 is a top plan view of the wireless microphone transmitter.

FIG. 3 is a side view of the wireless microphone transmitter.

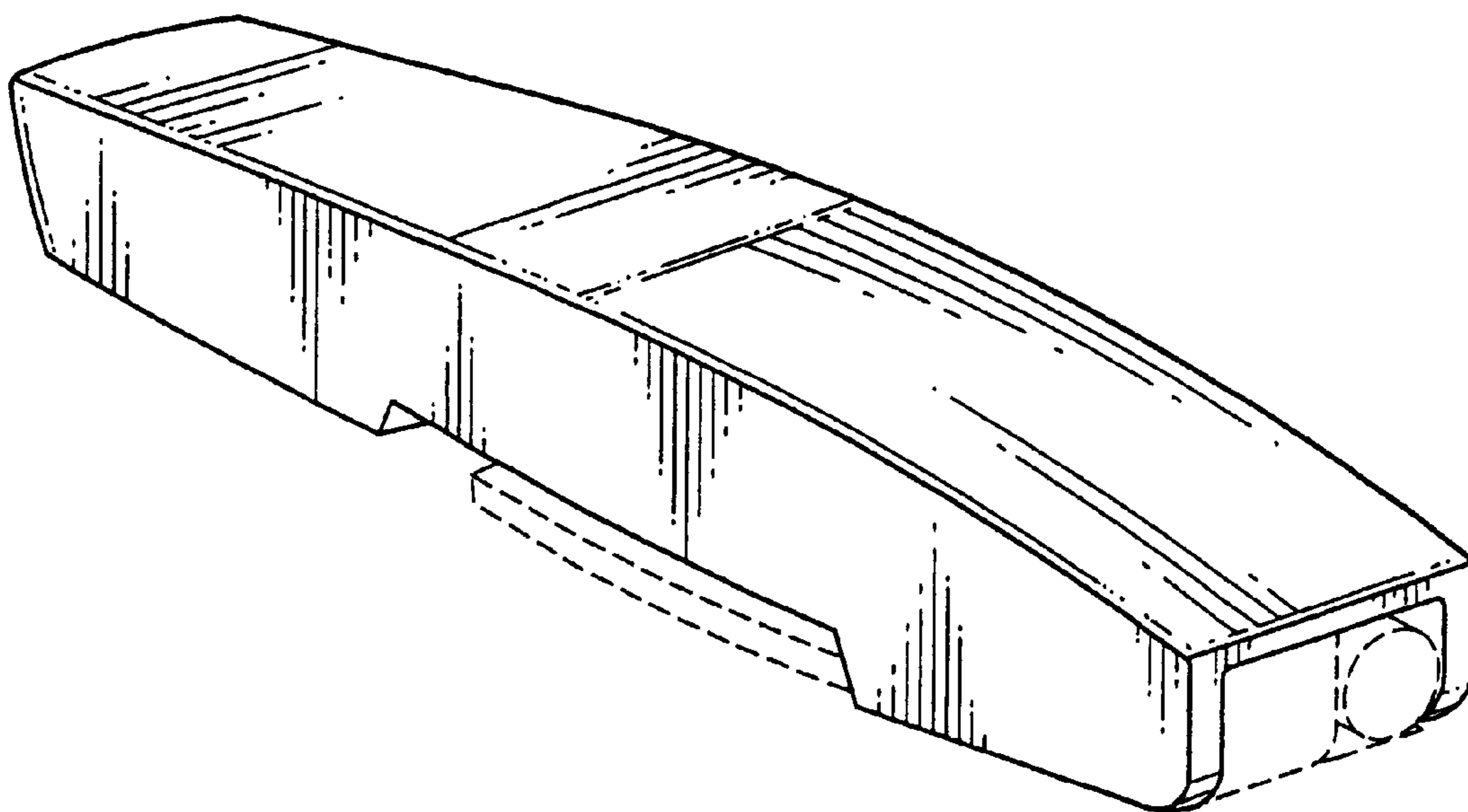
FIG. 4 is a bottom view of the wireless microphone transmitter.

FIG. 5 is a top perspective view of the wireless microphone transmitter; and,

FIG. 6 is a bottom perspective view of the wireless microphone transmitter.

The broken lines in FIGS. 1, 3, 4, 5 and 6 are for illustrative purposes only and form no part of the claimed design.

1 Claim, 2 Drawing Sheets



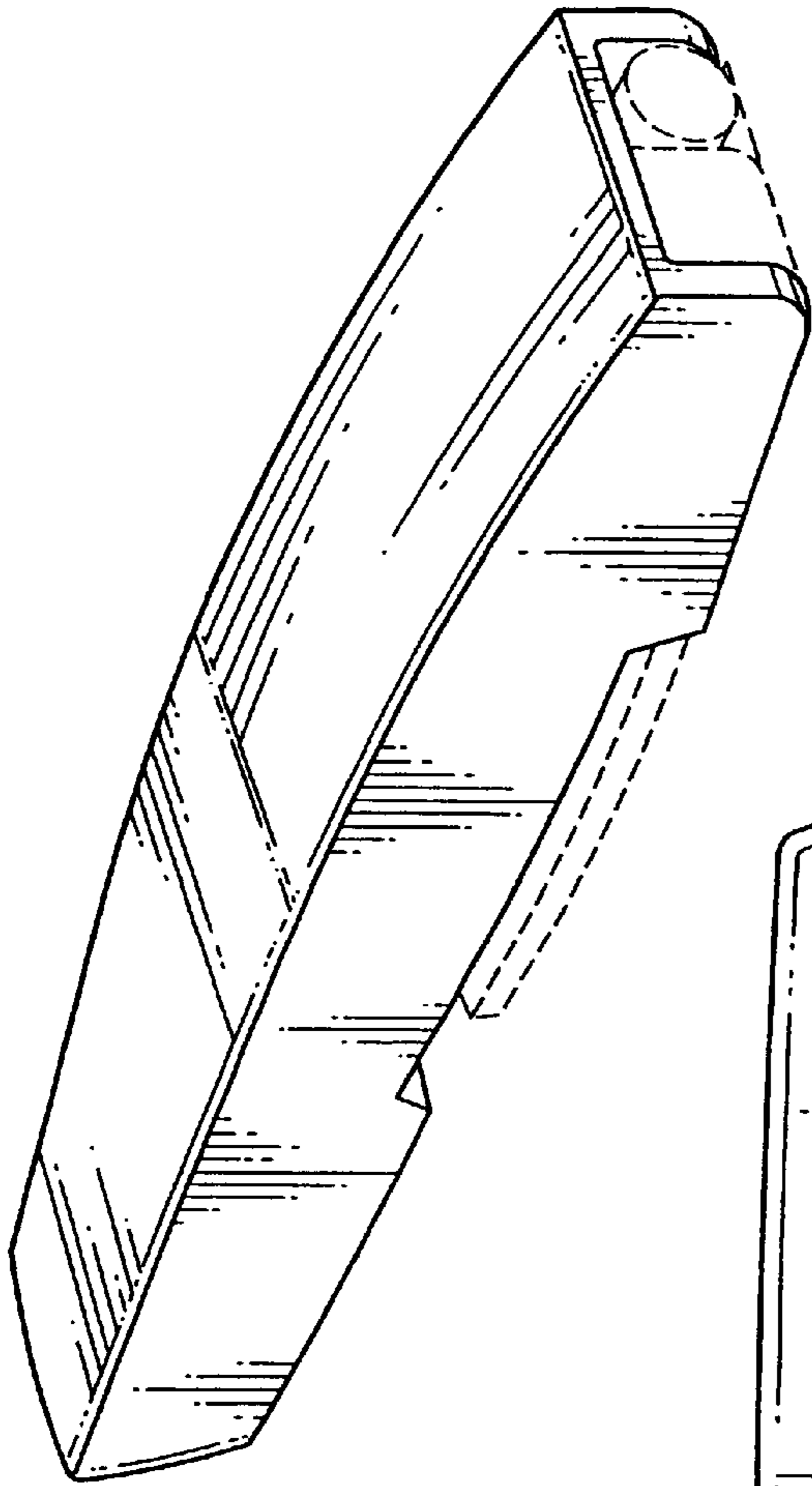


FIG. 1

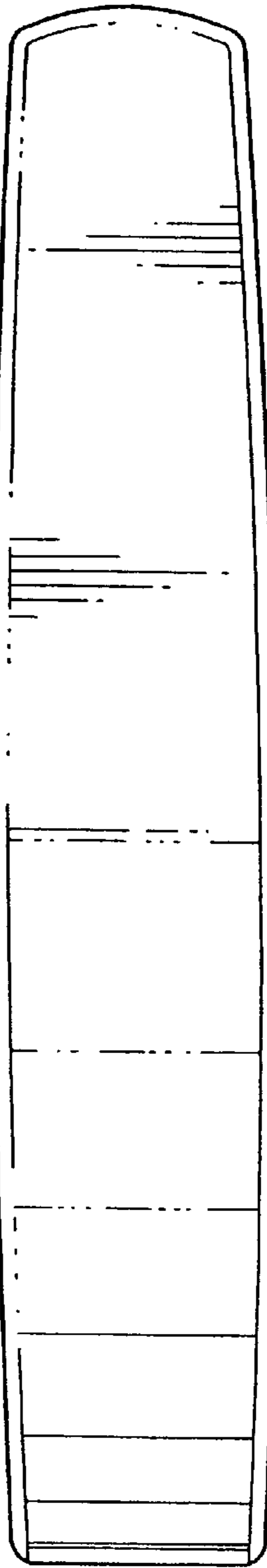


FIG. 2

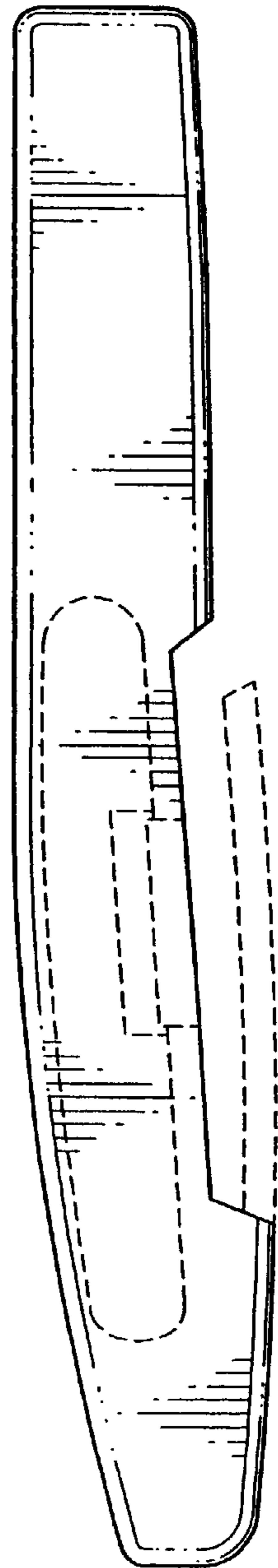


FIG. 3

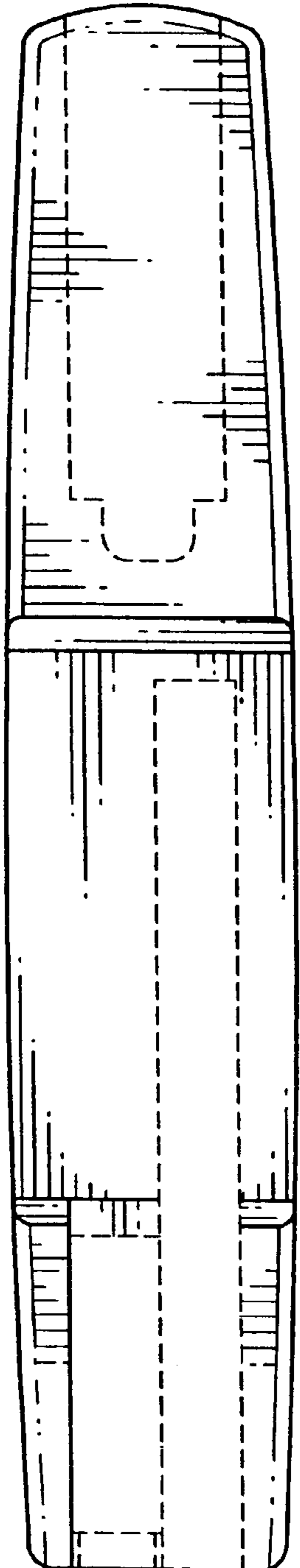


FIG. 4

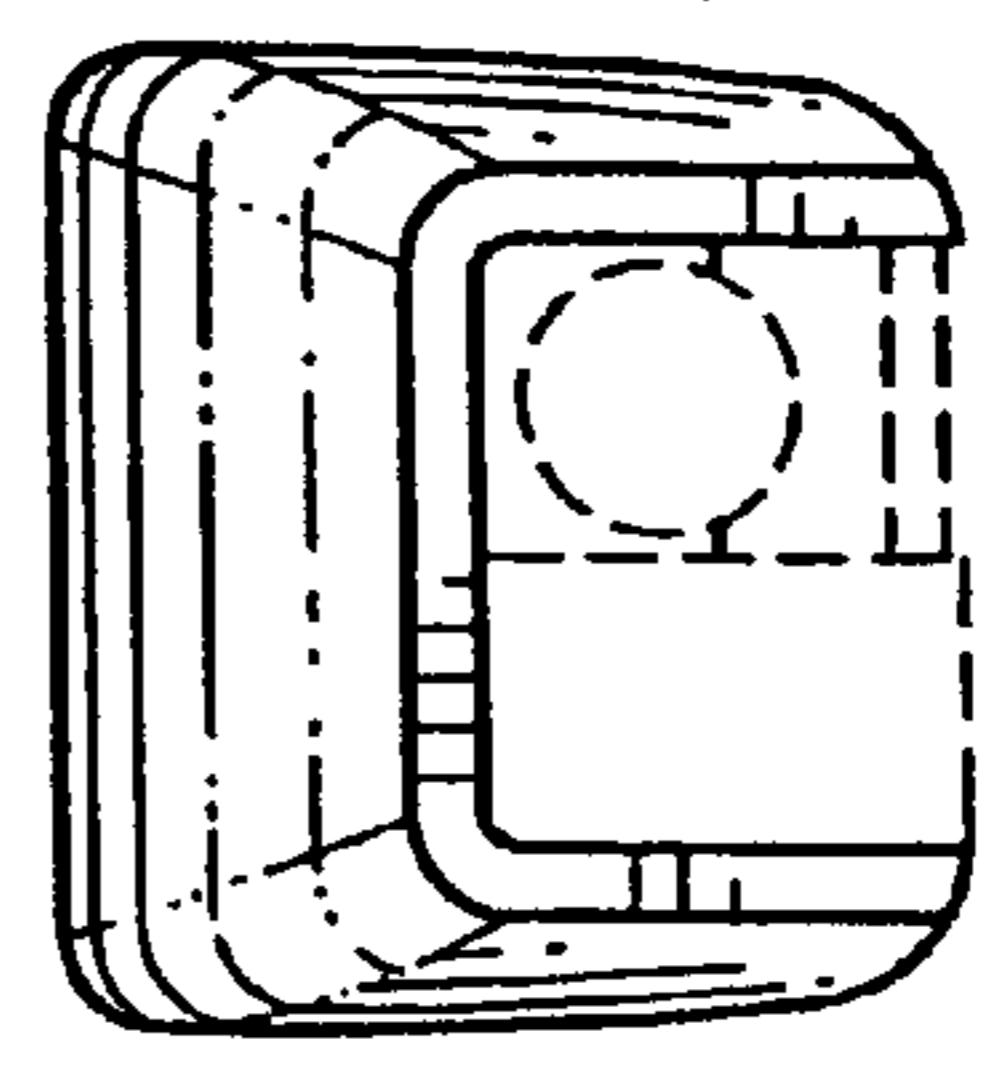


FIG. 6

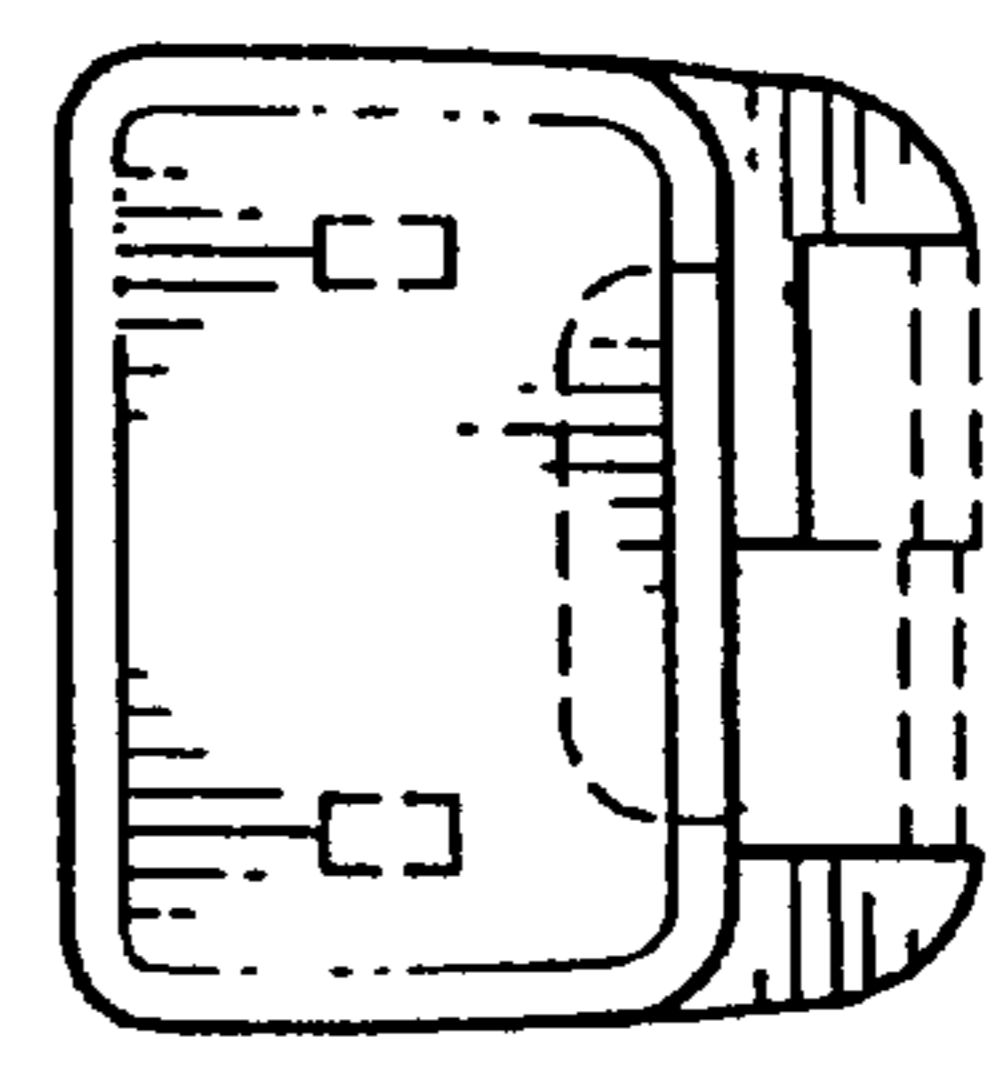


FIG. 5