



US00D480057S

(12) **United States Design Patent**  
**Ho-Cheun et al.**

(10) **Patent No.:** **US D480,057 S**

(45) **Date of Patent:** **\*\* Sep. 30, 2003**

(54) **HOUSING FOR A COMMUNICATION DEVICE OR SIMILAR ARTICLES**

(75) Inventors: **Michelle Lew Ho-Cheun**, Trevoze Park (SG); **Joel Soto**, Maywood, IL (US); **Paul Pierce**, Grayslake, IL (US); **Bee Lay Khoo**, Johor Bahru (MY)

(73) Assignee: **Motorola, Inc.**, Schaumburg, IL (US)

(\*\*) Term: **14 Years**

(21) Appl. No.: **29/160,659**

(22) Filed: **May 15, 2002**

(51) **LOC (7) Cl.** ..... **14-03**

(52) **U.S. Cl.** ..... **D14/138**

(58) **Field of Search** ..... D14/137, 138, D14/218, 147-148, 247-248, 144, 341-347; 379/433.01-433.13, 419, 434, 428.01-428.04, 420.01-420.04, 440; 455/550-575, 90; D21/517

(56) **References Cited**

**U.S. PATENT DOCUMENTS**

D356,563 S	*	3/1995	Berry	.....	D14/138
D388,784 S	*	1/1998	Phillips et al.	.....	D14/138
D402,982 S	*	12/1998	Nagano et al.	.....	D14/138
D407,399 S	*	3/1999	Frye et al.	.....	D14/138
D408,400 S	*	4/1999	Dalby et al.	.....	D14/138
D408,813 S	*	4/1999	Prior	.....	D14/138
D411,994 S	*	7/1999	Nakahara et al.	.....	D14/138
D420,351 S	*	2/2000	Waldner	.....	D14/138
D425,057 S	*	5/2000	Finkbeiner	.....	D14/138
6,097,964 A	*	8/2000	Nuovo et al.	.....	455/550

D434,744 S	*	12/2000	Lai	.....	D14/138
D436,583 S	*	1/2001	Newby et al.	.....	D14/138
D439,230 S	*	3/2001	Braxton et al.	.....	D14/138
D440,951 S	*	4/2001	Kolinen	.....	D14/138
6,246,862 B1	*	6/2001	Grivas et al.	.....	455/90
D448,355 S	*	9/2001	Higashi et al.	.....	D14/138
D451,079 S	*	11/2001	Ali	.....	D14/138
D456,794 S	*	5/2002	Laverick et al.	.....	D14/138
D459,327 S	*	6/2002	Ali	.....	D14/138
D461,174 S	*	8/2002	Ruohonen	.....	D14/138
D468,714 S	*	1/2003	Maruska et al.	.....	D14/138
D469,748 S	*	2/2003	Ribeiro et al.	.....	D14/138
D470,467 S	*	2/2003	Maruska et al.	.....	D14/138
2001/0022839 A1	*	9/2001	Ishigaki	.....	379/433.04

\* cited by examiner

*Primary Examiner*—Jeffrey Asch

(74) *Attorney, Agent, or Firm*—Randall S. Vaas

(57) **CLAIM**

The ornamental design for a housing for a communication device or similar articles, substantially as shown.

**DESCRIPTION**

FIG. 1 is a front, side and top perspective view of an ornamental housing for a communications device or similar articles.

FIG. 2 is a first side elevation view according to FIG. 1.

FIG. 3 is a front elevation view according to FIG. 1.

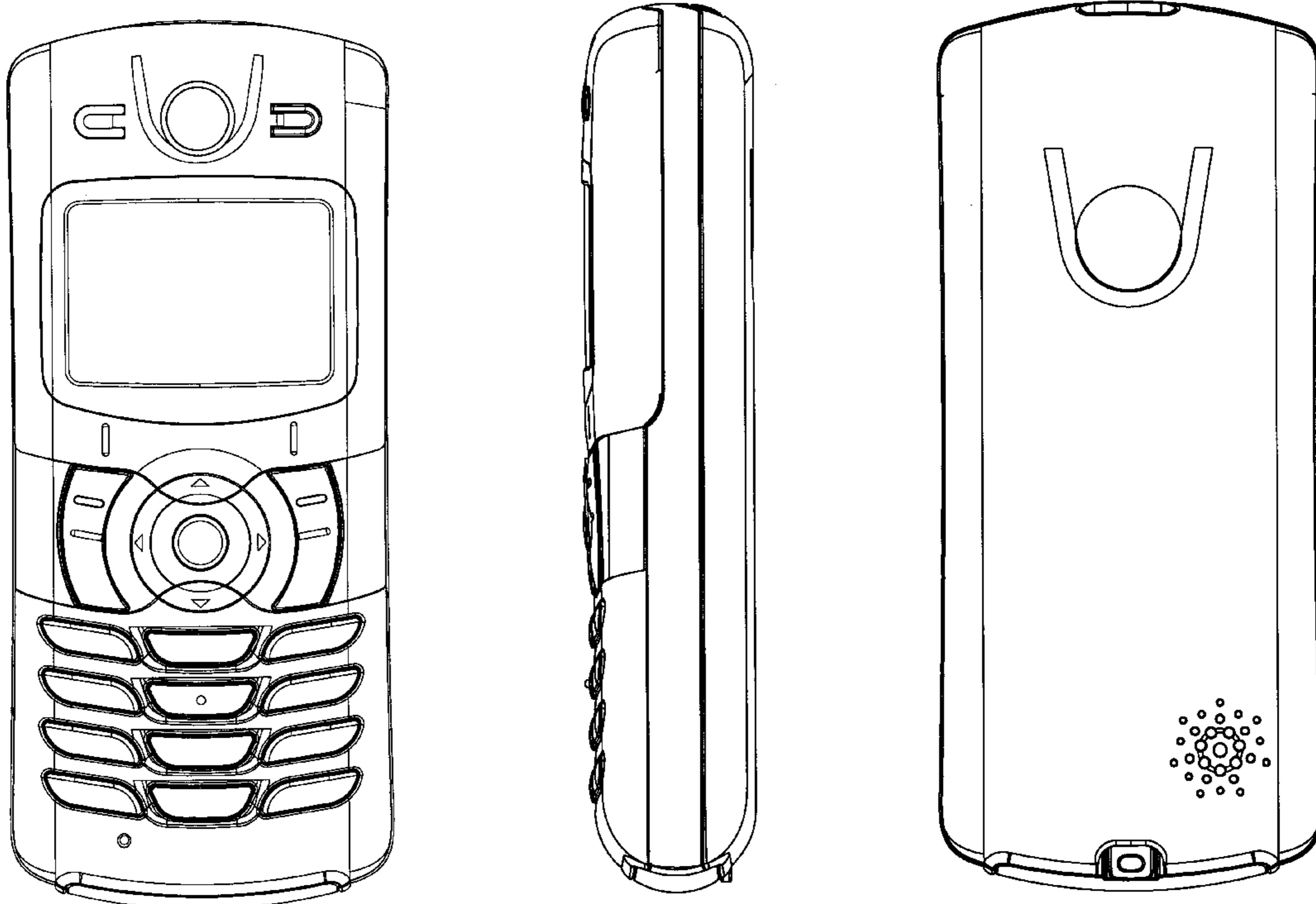
FIG. 4 is a bottom plan view according to FIG. 1.

FIG. 5 is a top plan view according to FIG. 1.

FIG. 6 is a second side elevation view according to FIG. 1; and,

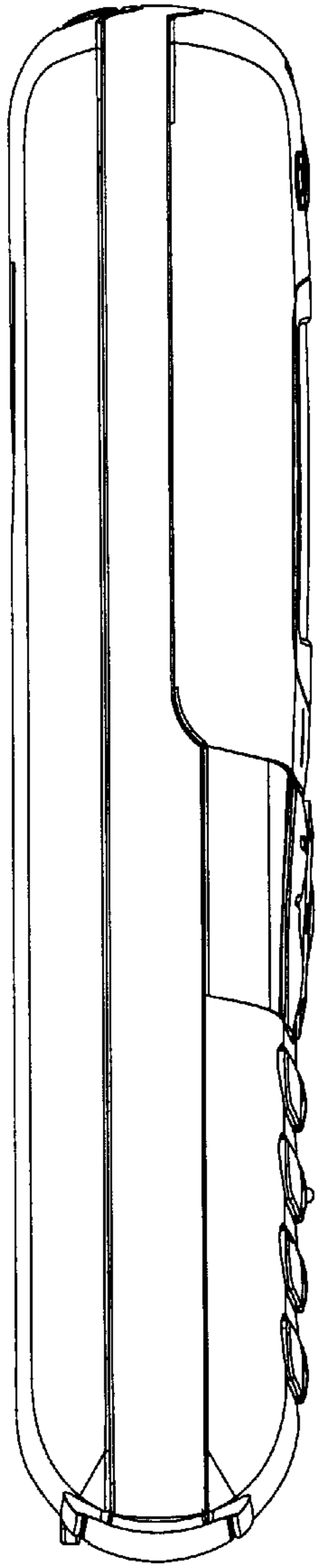
FIG. 7 is a rear elevation view according to FIG. 1.

**1 Claim, 3 Drawing Sheets**

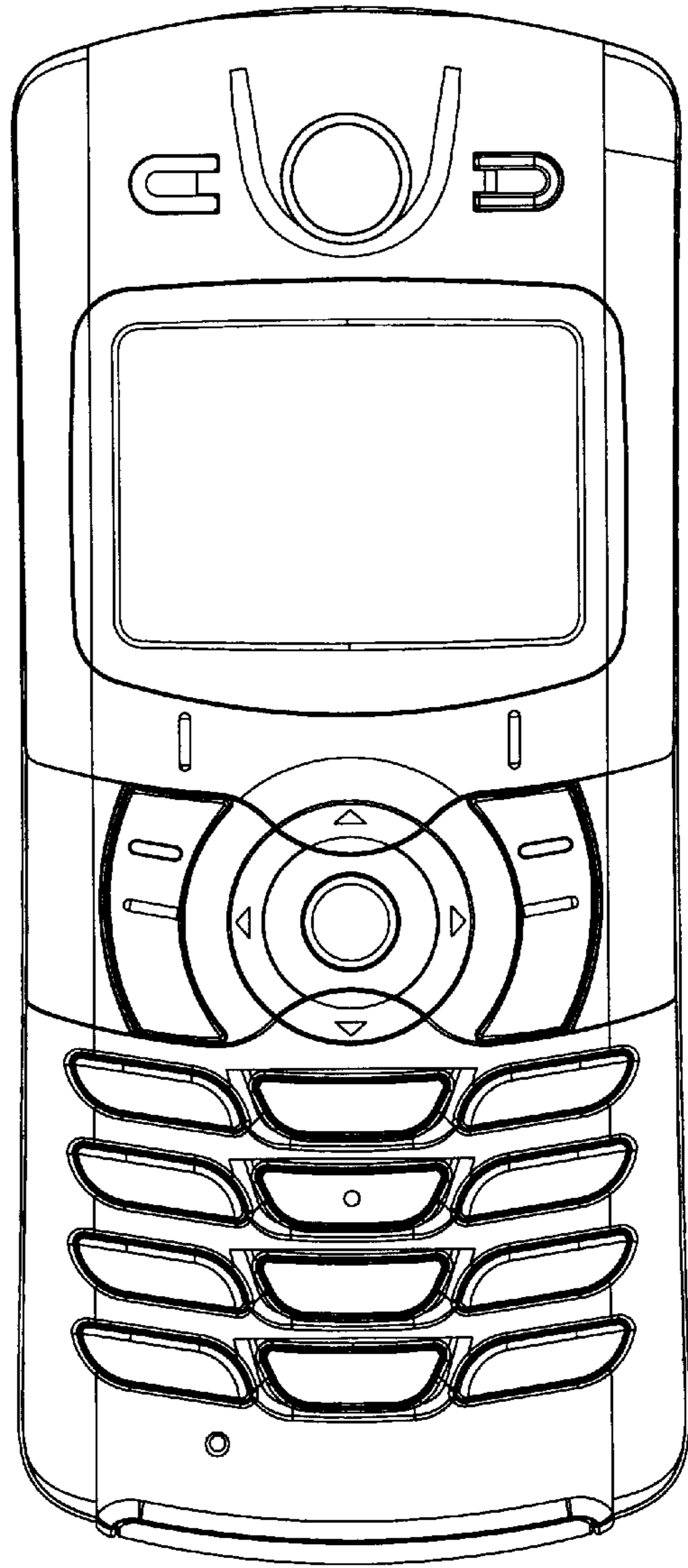




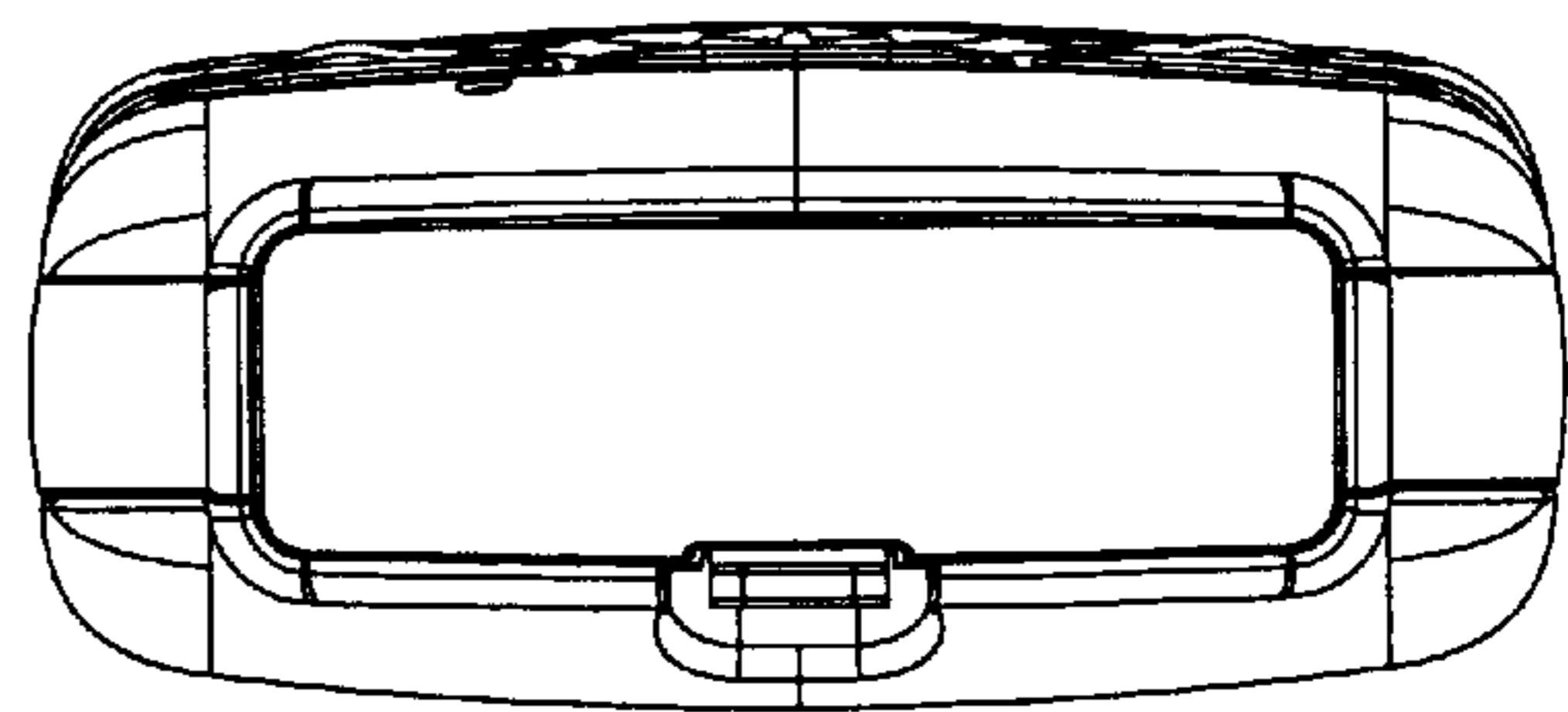
***FIG. 1***



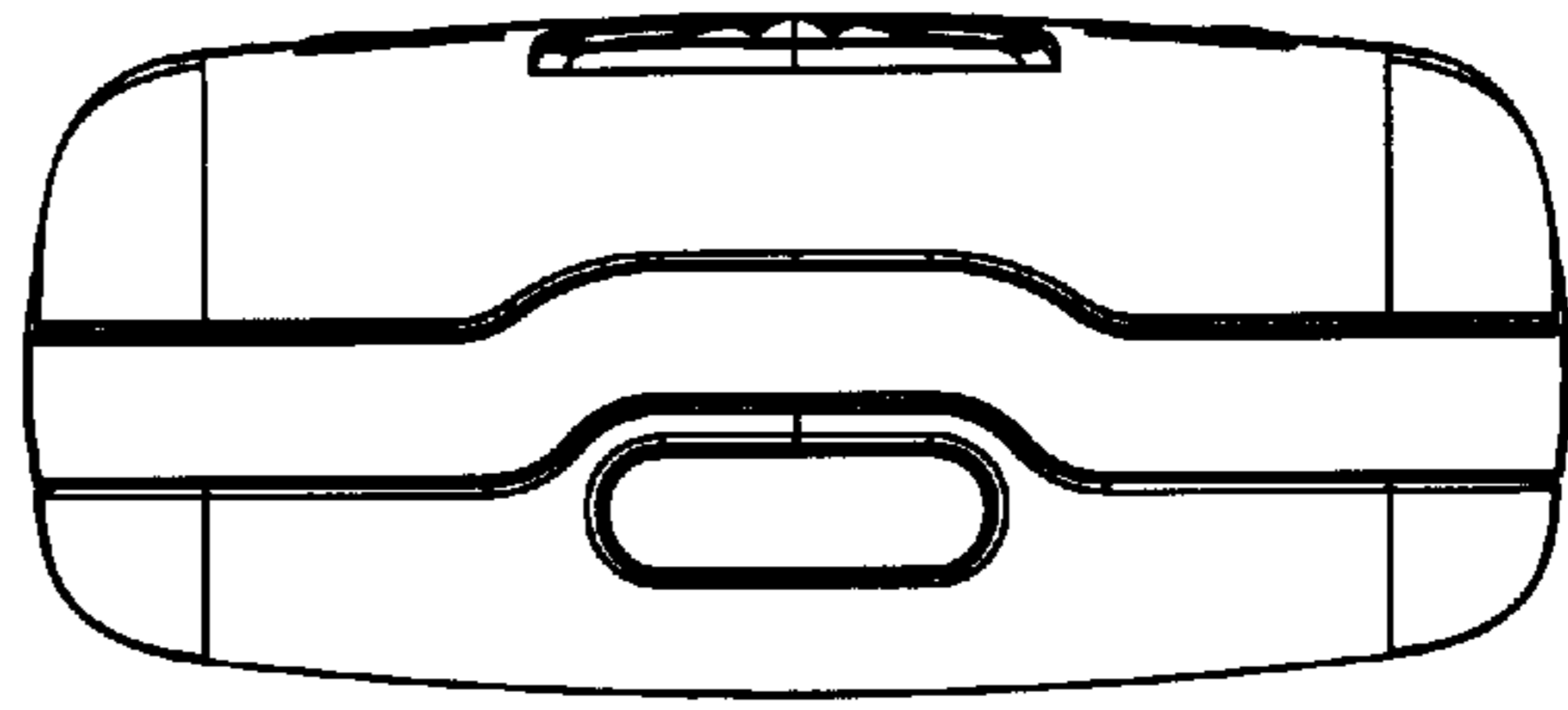
**FIG. 2**



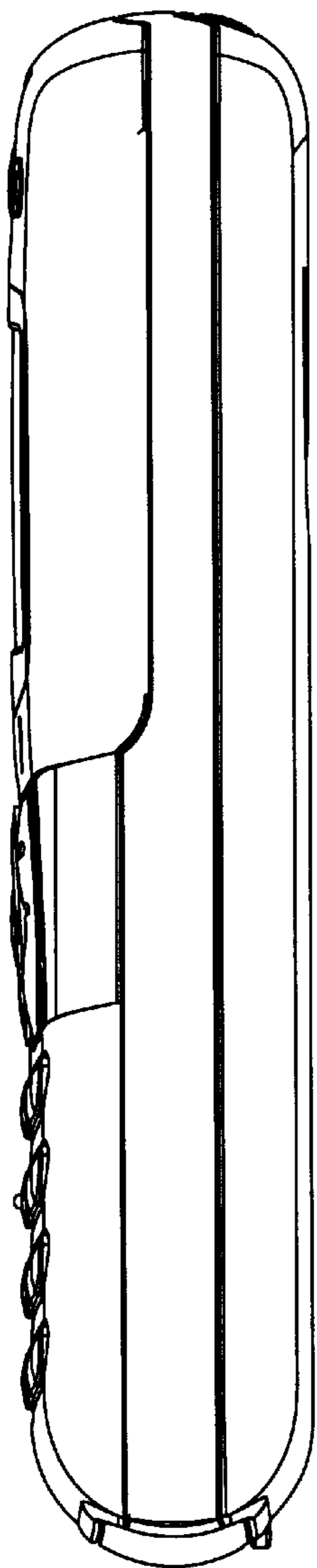
**FIG. 3**



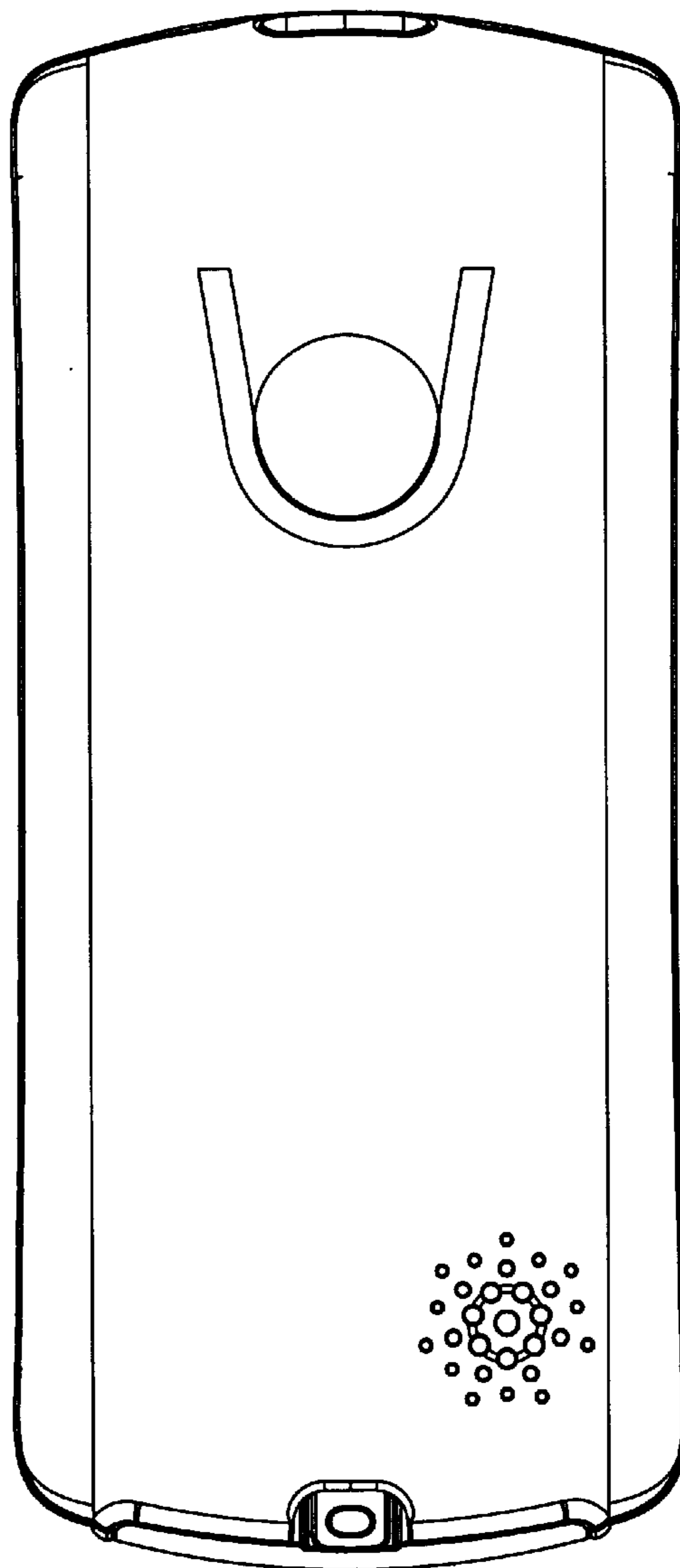
**FIG. 4**



*FIG. 5*



*FIG. 6*



*FIG. 7*