



US00D480052S

(12) **United States Design Patent**
Hisamatsu et al.

(10) **Patent No.:** **US D480,052 S**

(45) **Date of Patent:** **** Sep. 30, 2003**

(54) **ELECTRICAL CONNECTOR**

(75) Inventors: **Kazuhito Hisamatsu**, Hino (JP);
Masayuki Kikuchi, Oume (JP); **Akira Kimura**, Kokubunji (JP)

(73) Assignee: **Japan Aviation Electronics Industry, Limited**, Tokyo (JP)

(**) Term: **14 Years**

(21) Appl. No.: **29/163,145**

(22) Filed: **Jun. 27, 2002**

(51) **LOC (7) Cl.** **13-03**

(52) **U.S. Cl.** **D13/147**

(58) **Field of Search** D13/147; 439/660,
439/160, 266, 476.1, 484, 940

(56) **References Cited**

U.S. PATENT DOCUMENTS

- 4,911,647 A * 3/1990 Ferchau et al. 439/476.1 X
- D432,086 S * 10/2000 Lee D13/147
- 6,126,479 A * 10/2000 Lee 439/484
- 6,293,826 B1 * 9/2001 Shi et al. 439/607
- D455,718 S * 4/2002 Hwang D13/147

- 6,416,354 B1 * 7/2002 Lee 439/484
- 6,500,023 B1 * 12/2002 Duong et al. 439/484
- 6,506,064 B1 * 1/2003 Wu 439/940 X

* cited by examiner

Primary Examiner—Joel Sincavage

(74) *Attorney, Agent, or Firm*—Michael Best & Friedrich LLC

(57) **CLAIM**

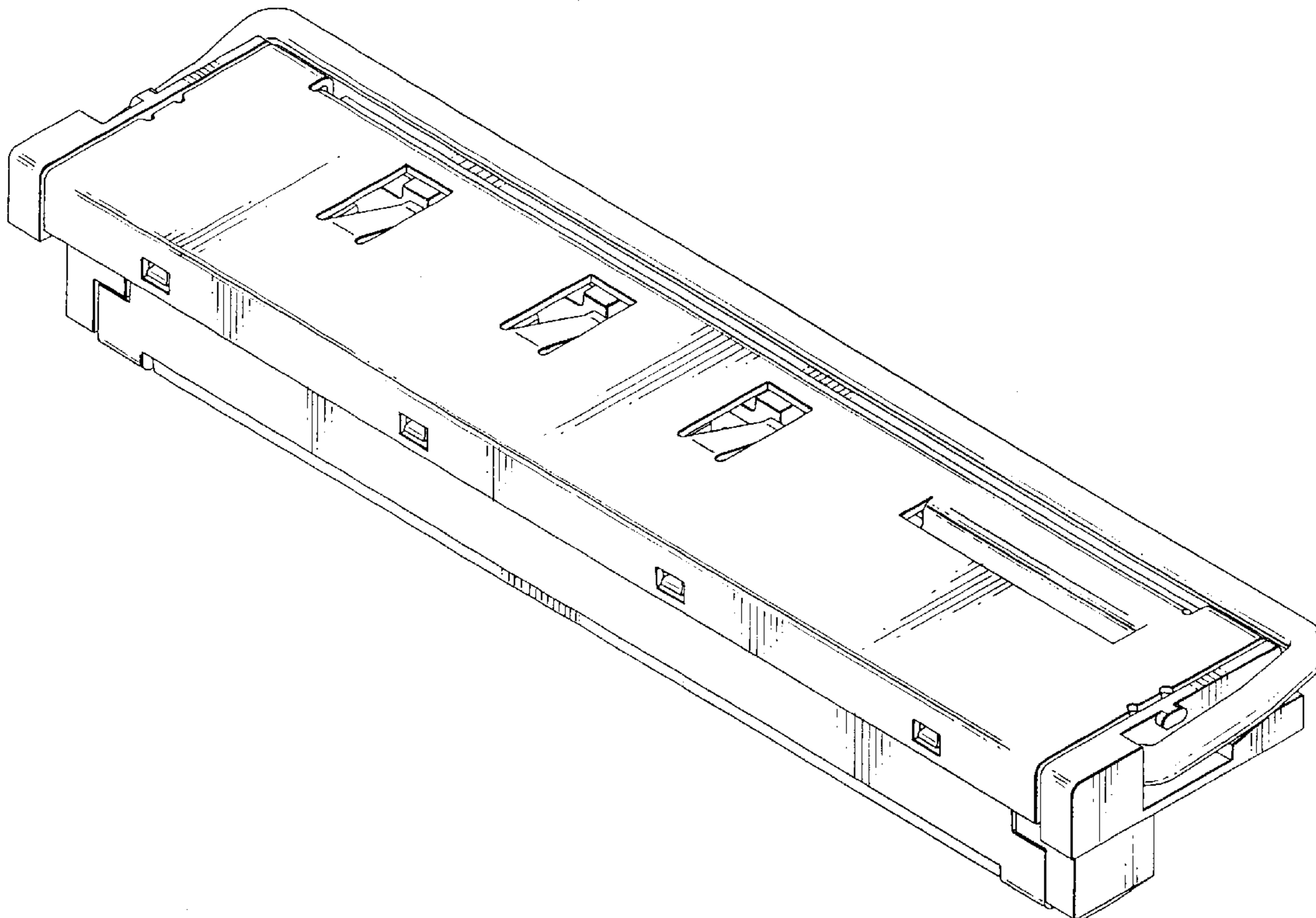
The ornamental design for an electrical connector, as shown and described.

DESCRIPTION

FIG. 1 is a front elevational view of an electrical connector; FIG. 2 is a top plan view thereof; FIG. 3 is a bottom plan view thereof; FIG. 4 is a right side elevational view thereof; FIG. 5 is a rear elevational view thereof; and, FIG. 6 is a perspective view of the front and right side thereof.

A left side elevational view of the electrical connector is omitted because it is presented symmetrical to the right side elevational view of FIG. 4.

1 Claim, 4 Drawing Sheets



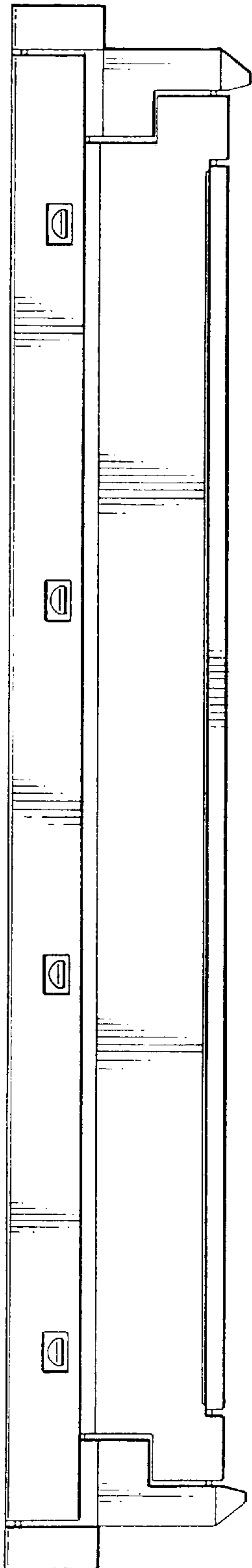


FIG. 1

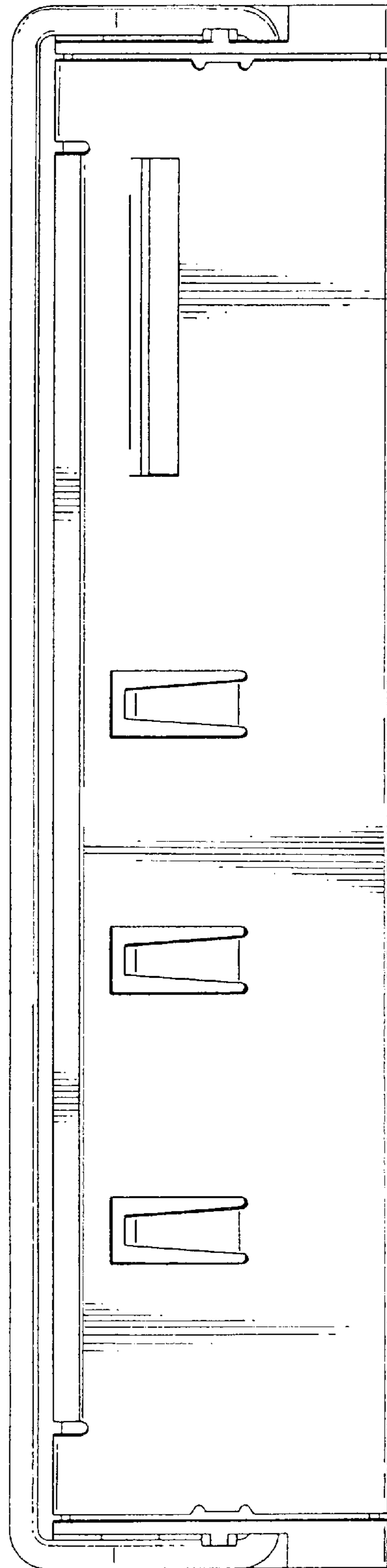


FIG. 2

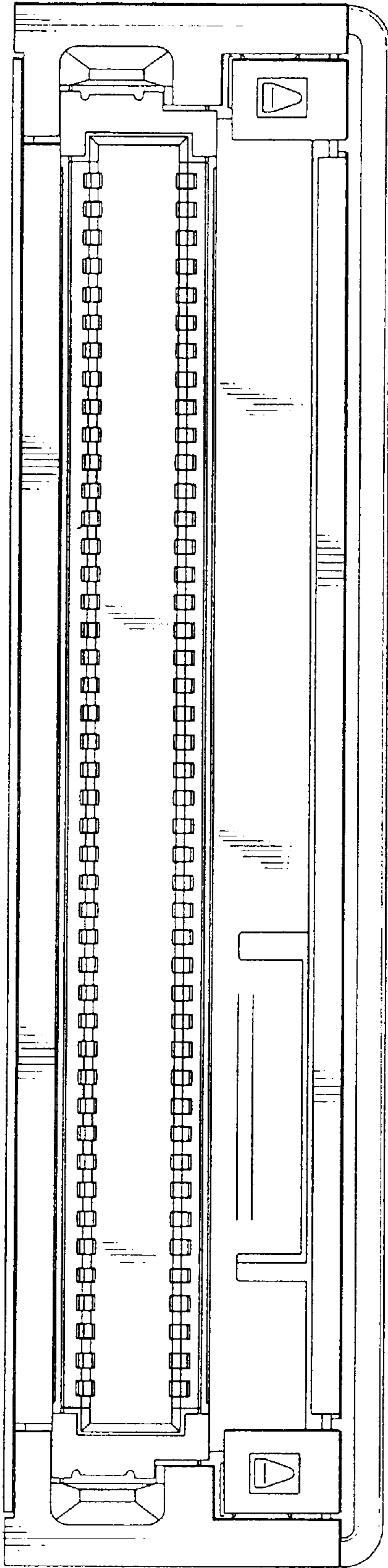


FIG. 3

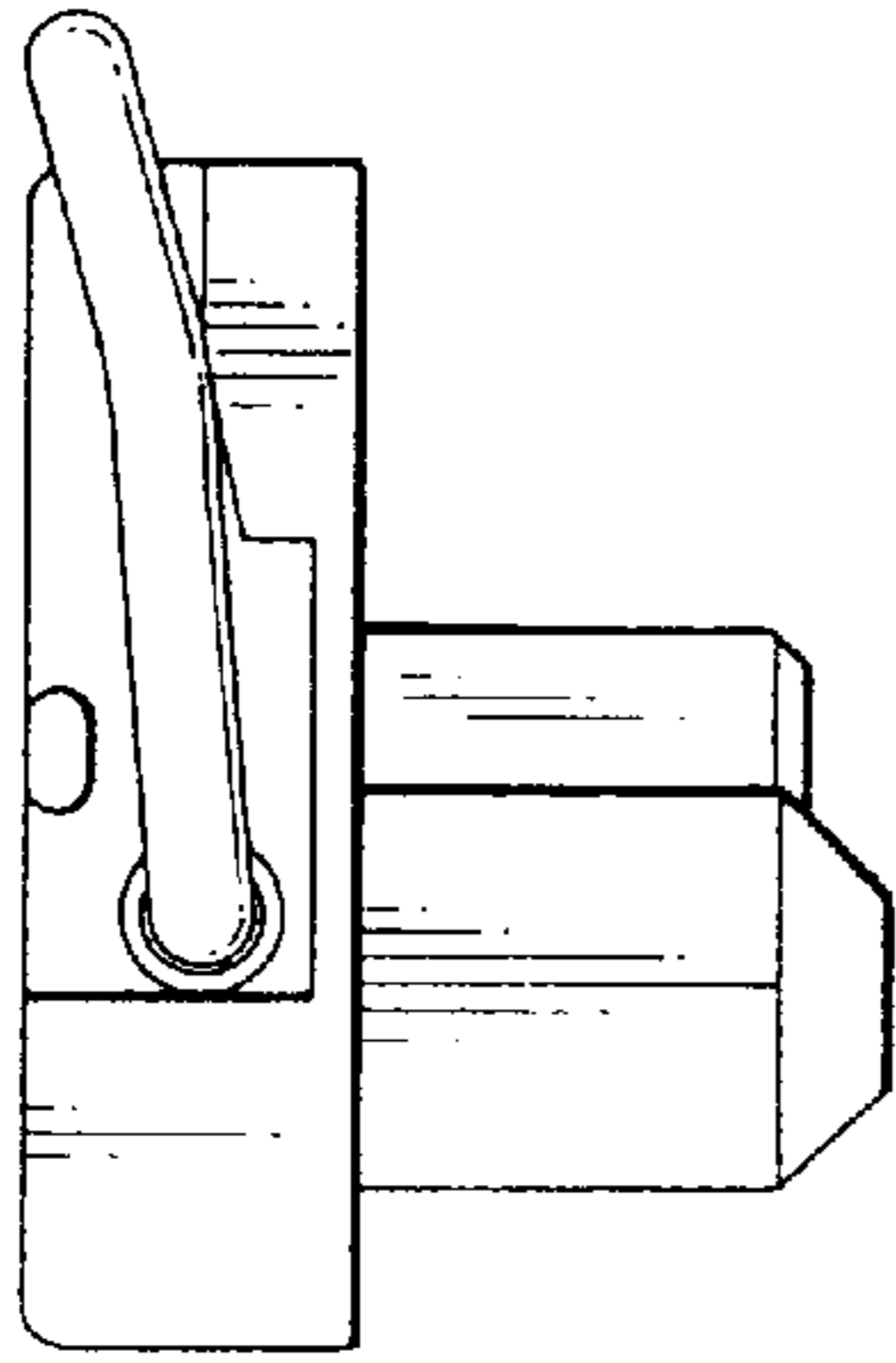


FIG. 4

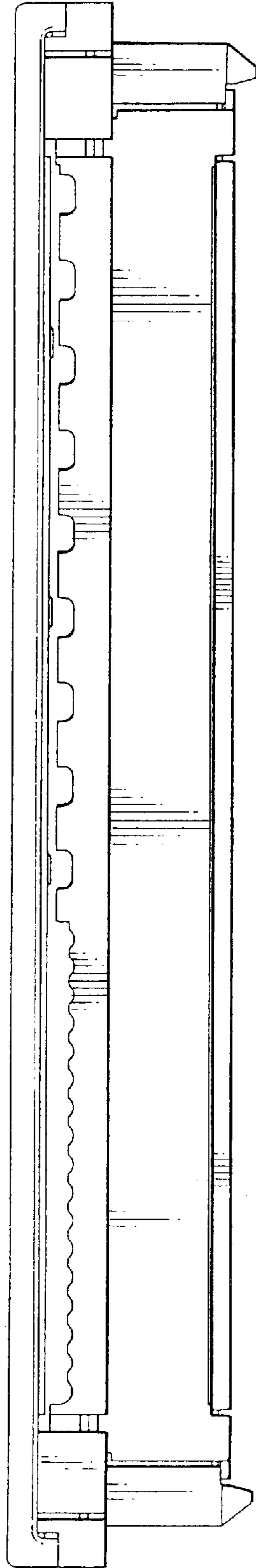


FIG. 5

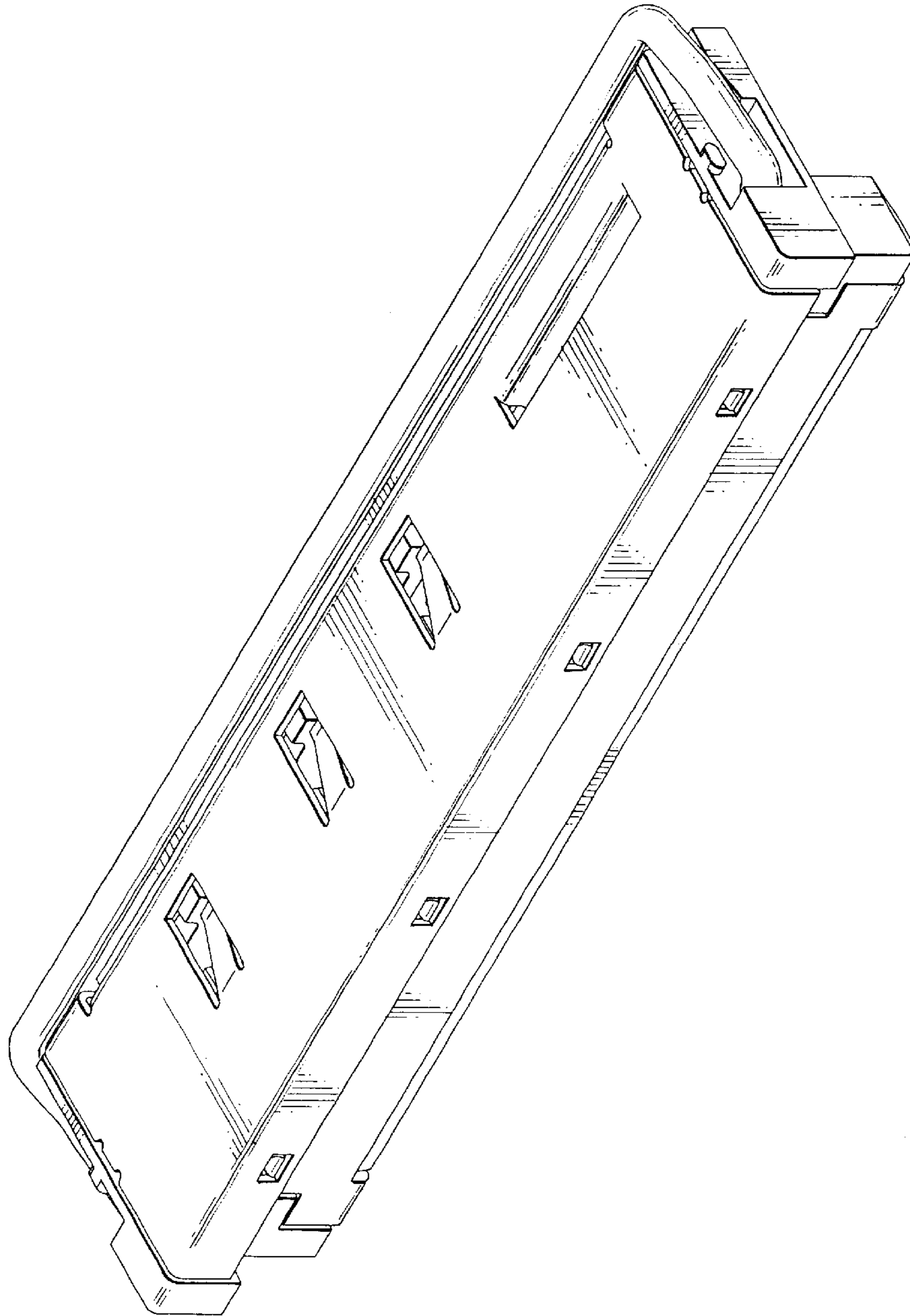


FIG. 6