



US00D480051S

(12) **United States Design Patent**
Hsu

(10) **Patent No.:** **US D480,051 S**

(45) **Date of Patent:** **** Sep. 30, 2003**

(54) **CONNECTOR**

(76) Inventor: **Cheng-Chien Hsu**, 9th-1 Fl., 117, Sung Te Road, Taipei City (TW)

(**) Term: **14 Years**

(21) Appl. No.: **29/165,931**

(22) Filed: **Aug. 21, 2002**

(51) **LOC (7) Cl.** **13-03**

(52) **U.S. Cl.** **D13/133**

(58) **Field of Search** D13/133, 147; 439/344, 502, 676; 379/433.05, 438

(56) **References Cited**

U.S. PATENT DOCUMENTS

4,875,872	A	*	10/1989	Tanaka	439/344
5,041,018	A	*	8/1991	Arnett	439/676 X
D418,109	S	*	12/1999	Lok	D13/133
6,168,472	B1	*	1/2001	Arnett	439/676
6,241,546	B1	*	6/2001	Lee et al.	439/344
D444,769	S	*	7/2001	Kishi	D13/133
D461,772	S	*	8/2002	Zhou	D13/133

2002/0146114 A1 * 10/2002 Takehiko 379/433.05

* cited by examiner

Primary Examiner—Joel Sincavage

(74) *Attorney, Agent, or Firm*—Rosenberg, Klein & Lee

(57) **CLAIM**

The ornamental design for a connector, as shown and described.

DESCRIPTION

FIG. 1 is a perspective view of a connector showing my new design;

FIG. 2 is a front elevational view thereof;

FIG. 3 is a rear elevational view thereof;

FIG. 4 is a left side elevational view thereof;

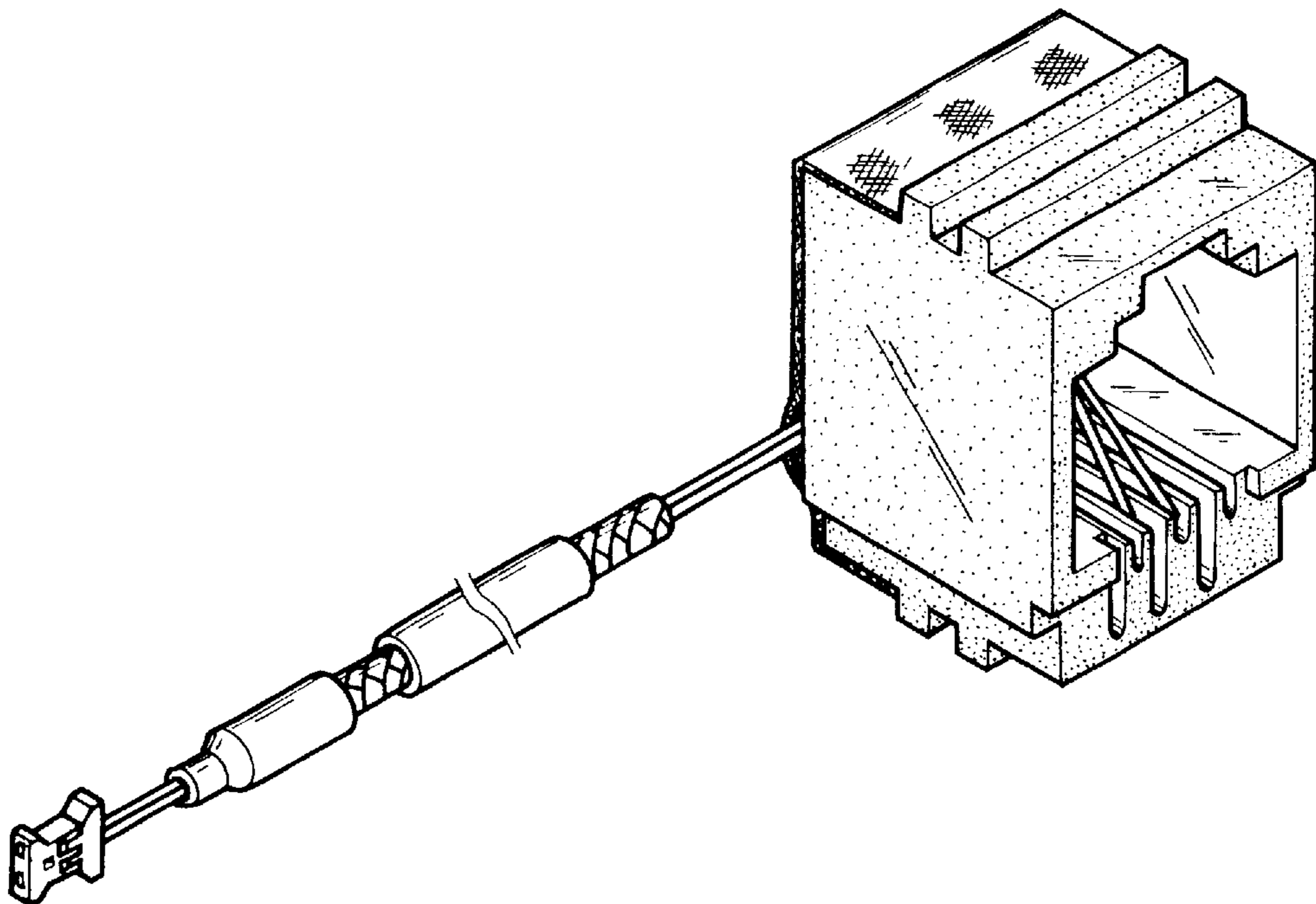
FIG. 5 is a right side elevational view thereof;

FIG. 6 is a top plan view thereof; and,

FIG. 7 is a bottom plan view thereof.

The cable is shown broken away throughout the drawing figures because the specific length of the cable forms no part of the claimed design.

1 Claim, 4 Drawing Sheets



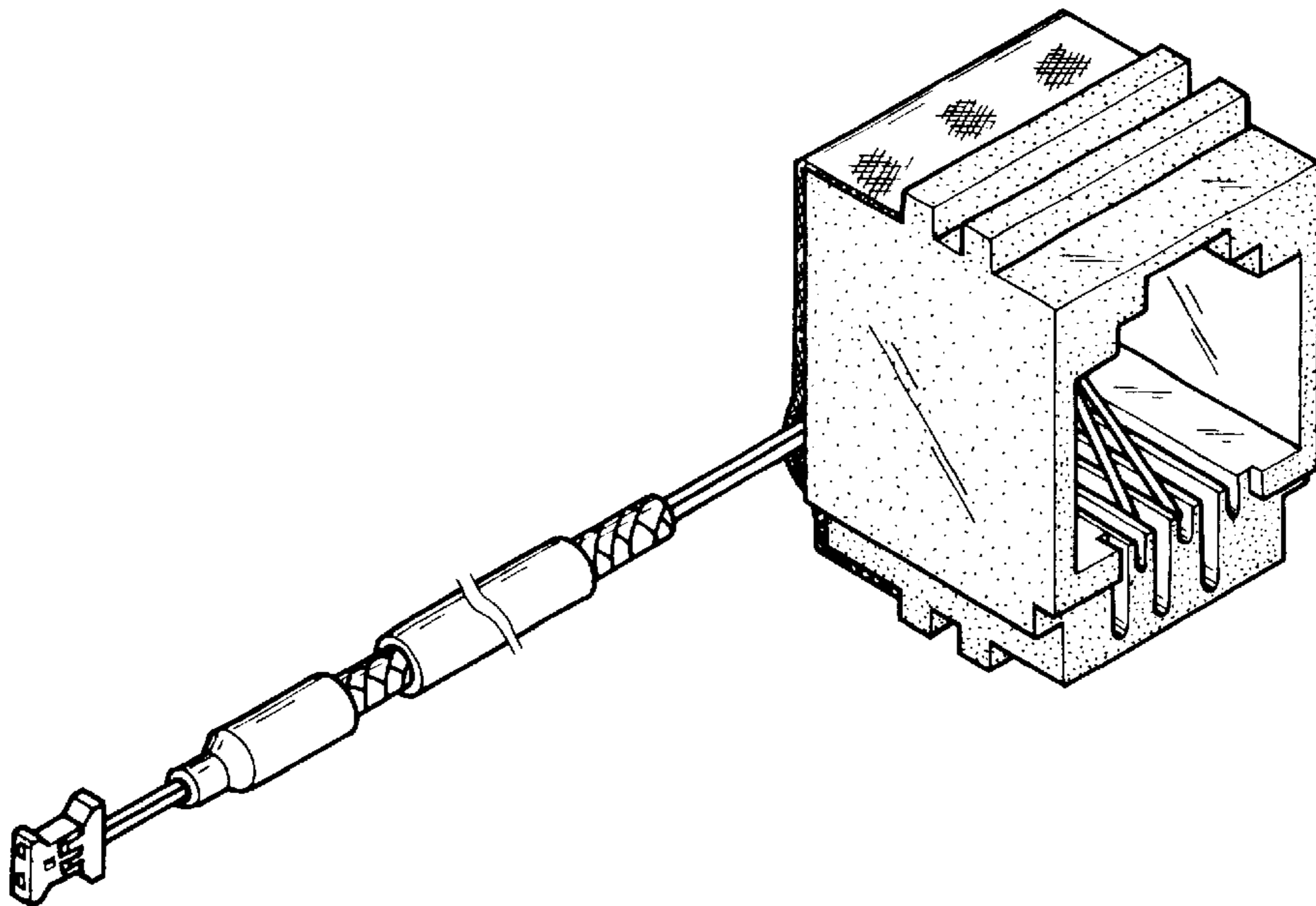


FIG. 1

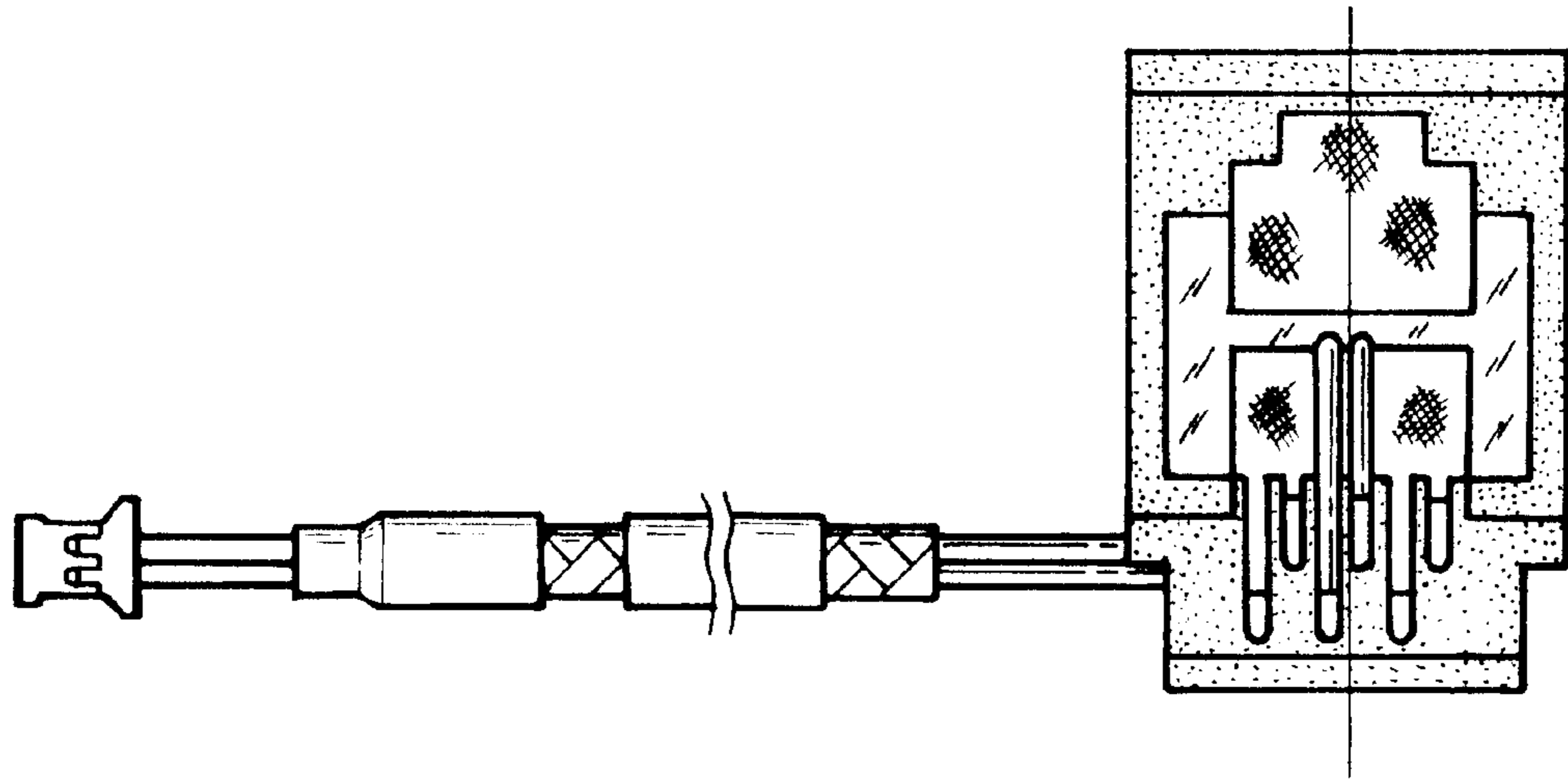


FIG. 2

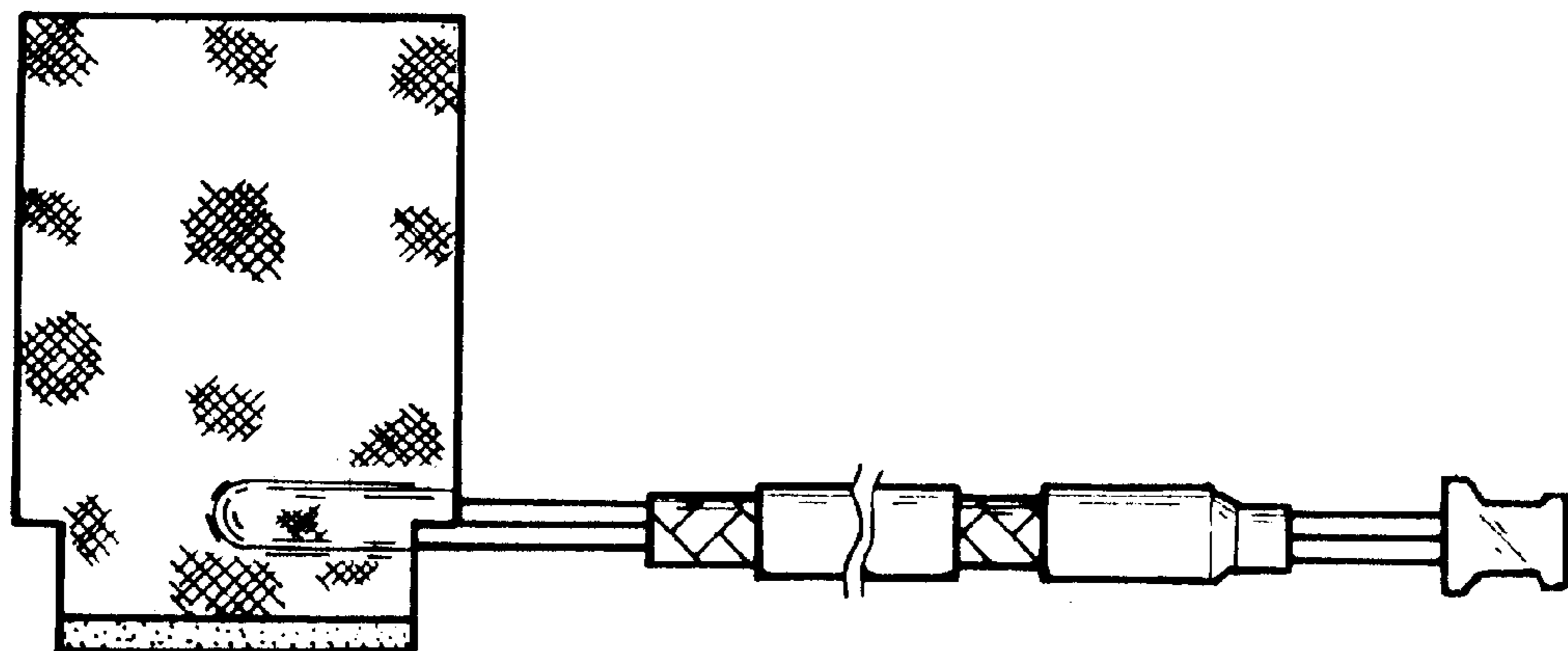


FIG. 3

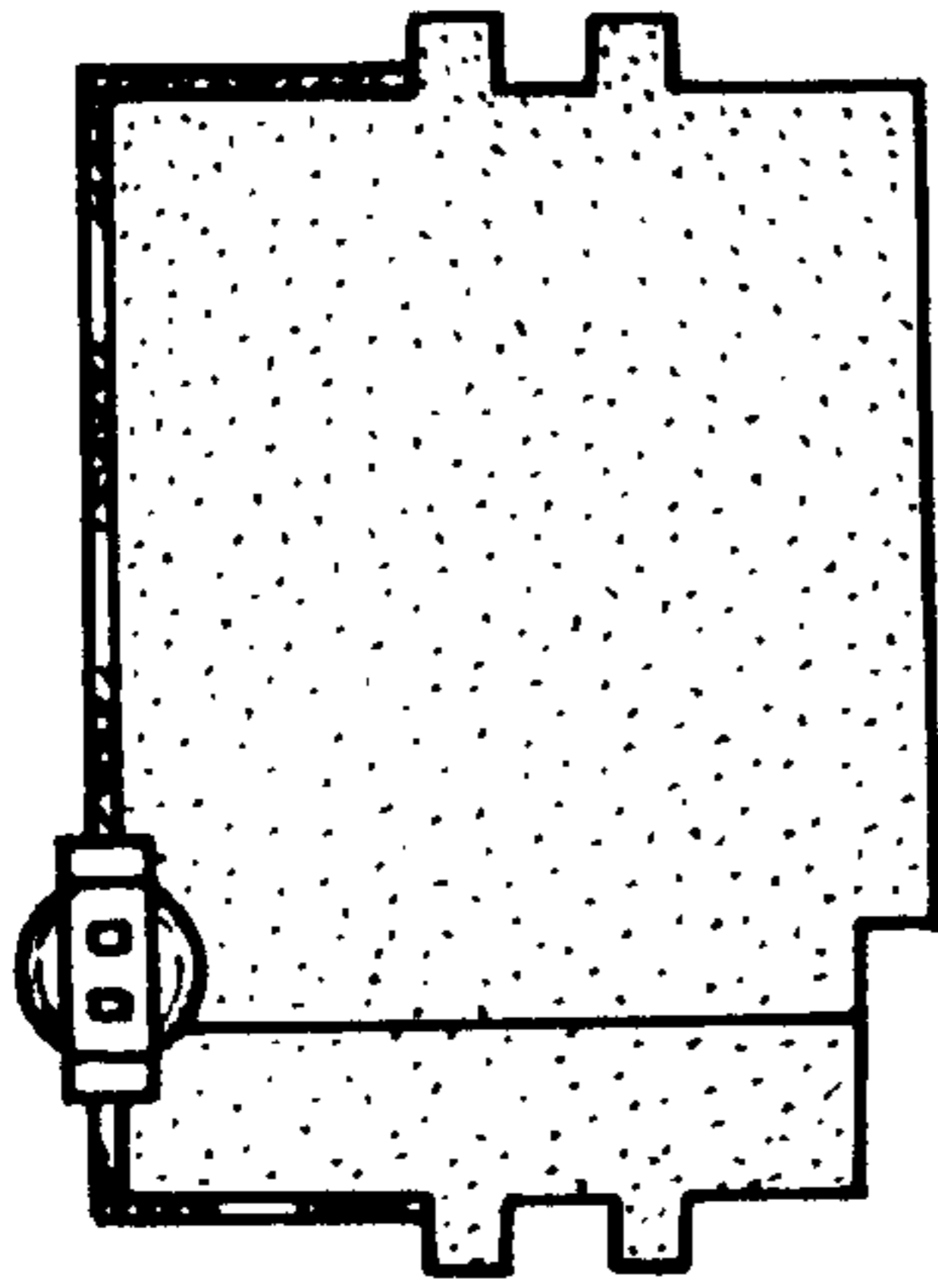


FIG. 4

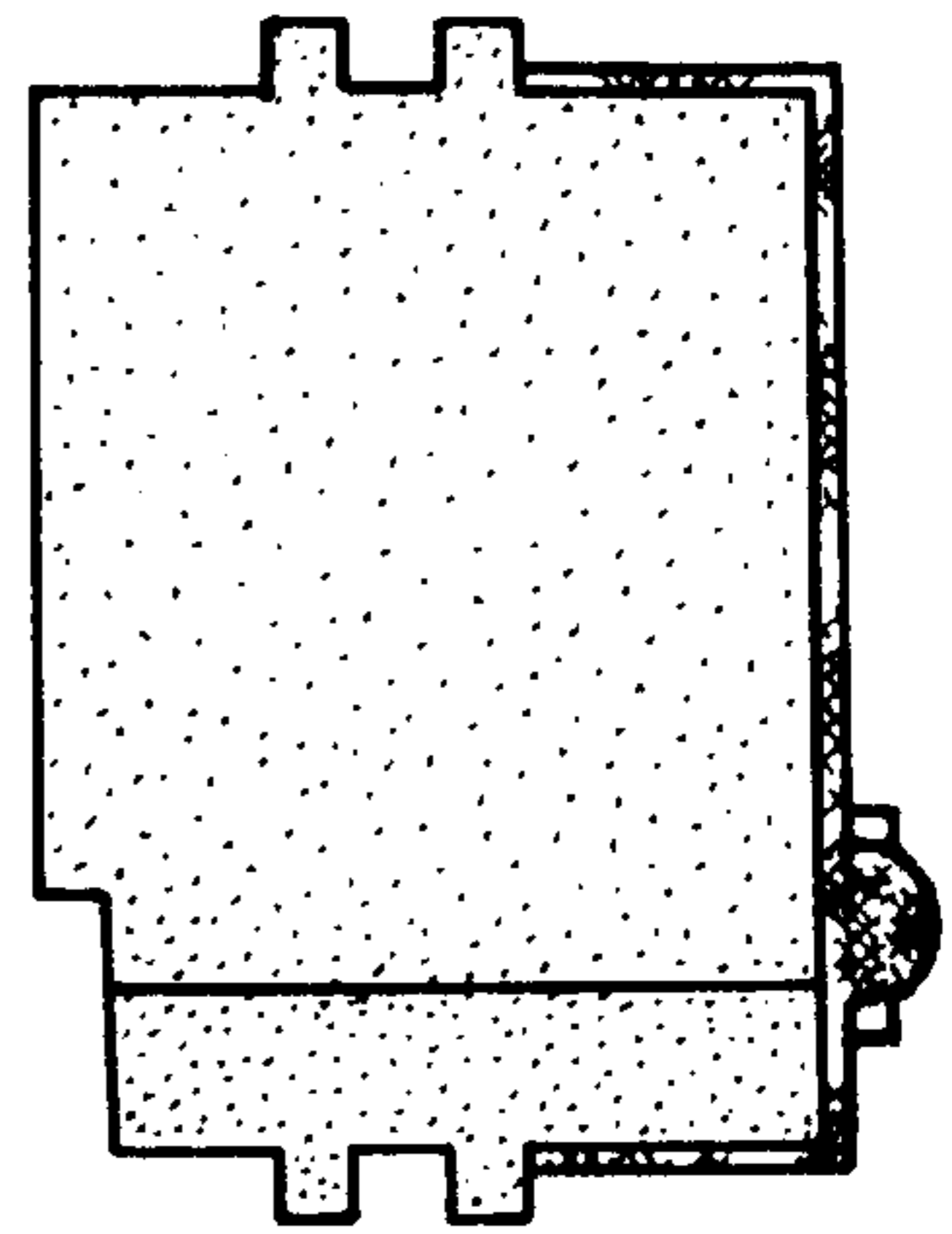


FIG. 5

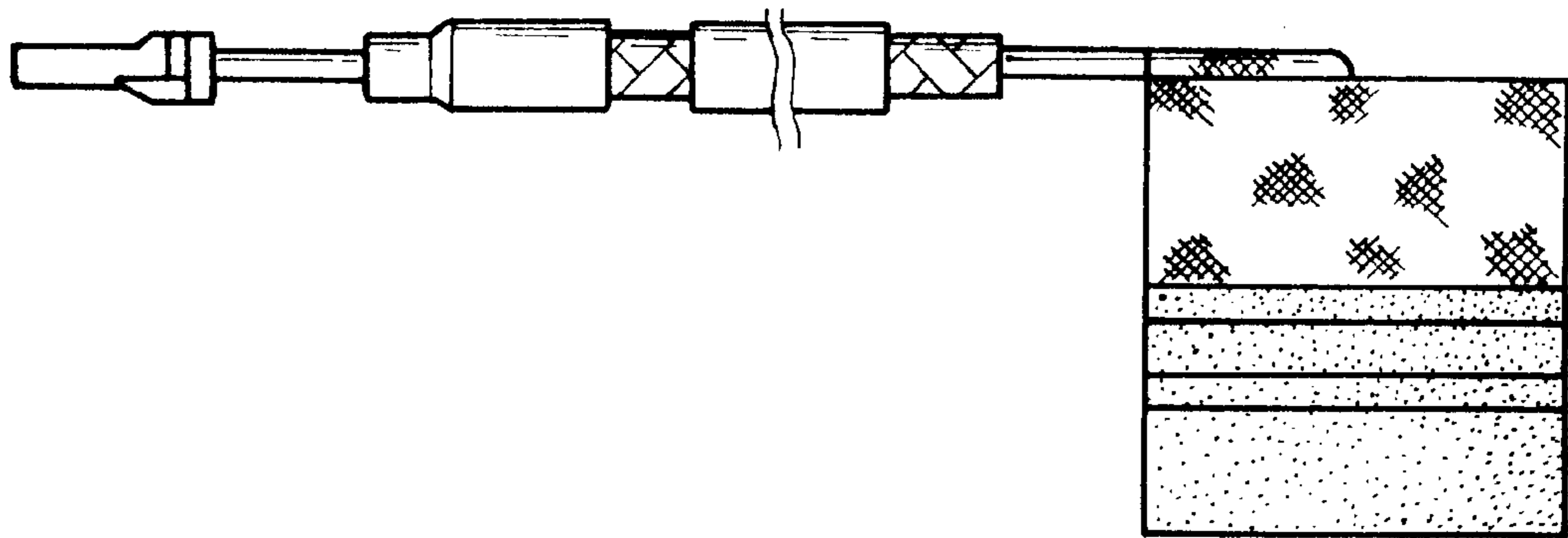


FIG. 6

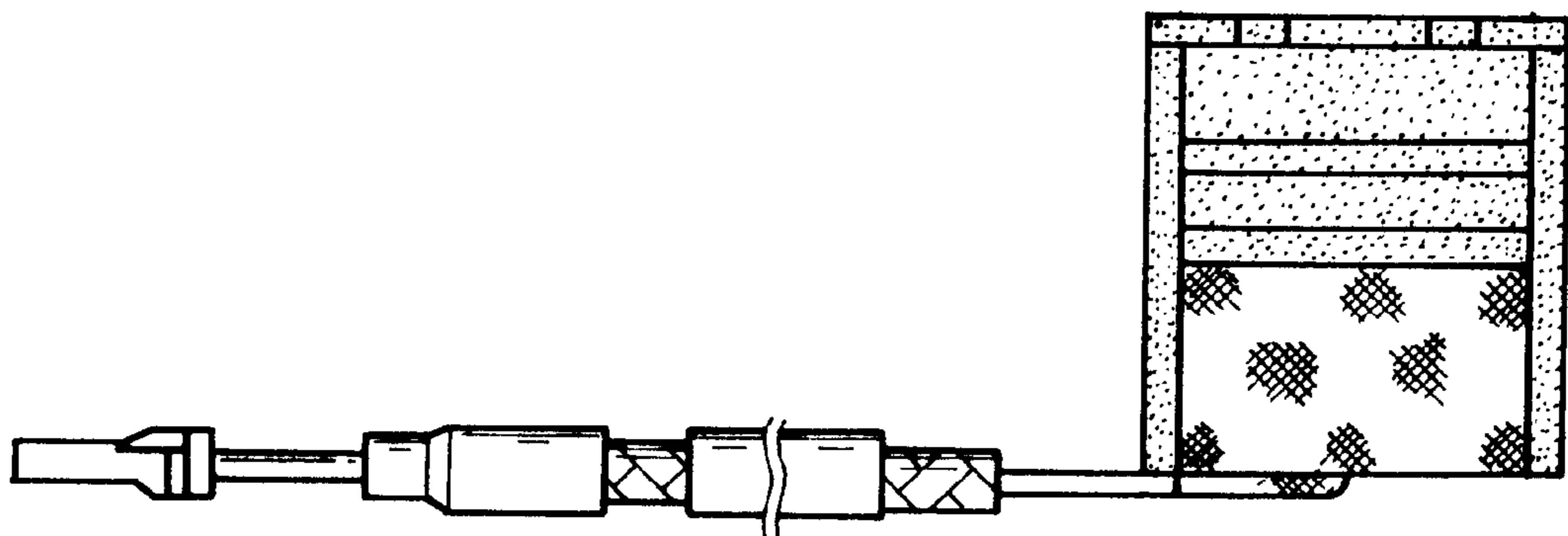


FIG. 7