



US00D480049S

(12) **United States Design Patent**
Clark

(10) **Patent No.:** **US D480,049 S**

(45) **Date of Patent:** **** Sep. 30, 2003**

(54) **WAVE ATTENUATOR**

(75) Inventor: **John Clark**, Sodus Point, NY (US)

(73) Assignee: **Wave Control Systems, Inc.**, Sodus Point, NY (US)

(**) Term: **14 Years**

(21) Appl. No.: **29/157,096**

(22) Filed: **Mar. 13, 2002**

(51) **LOC (7) Cl.** **13-03**

(52) **U.S. Cl.** **D13/123**

(58) **Field of Search** **D13/123; 174/35 MS**

(56) **References Cited**

U.S. PATENT DOCUMENTS

D394,041 S * 5/1998 Spriester et al. D13/123

FOREIGN PATENT DOCUMENTS

JP 11072518 A * 3/1999 G01R/29/08

WO WO 200250812 A1 * 6/2002 G10K/11/172

* cited by examiner

Primary Examiner—Holly Baynham

(74) *Attorney, Agent, or Firm*—Stephen B. Salai, Esq.;
Donna P. Suchy, Esq.; Harter, Secrest & Emery LLP

(57) **CLAIM**

I claim the ornamental design for the wave attenuator, as shown and described.

DESCRIPTION

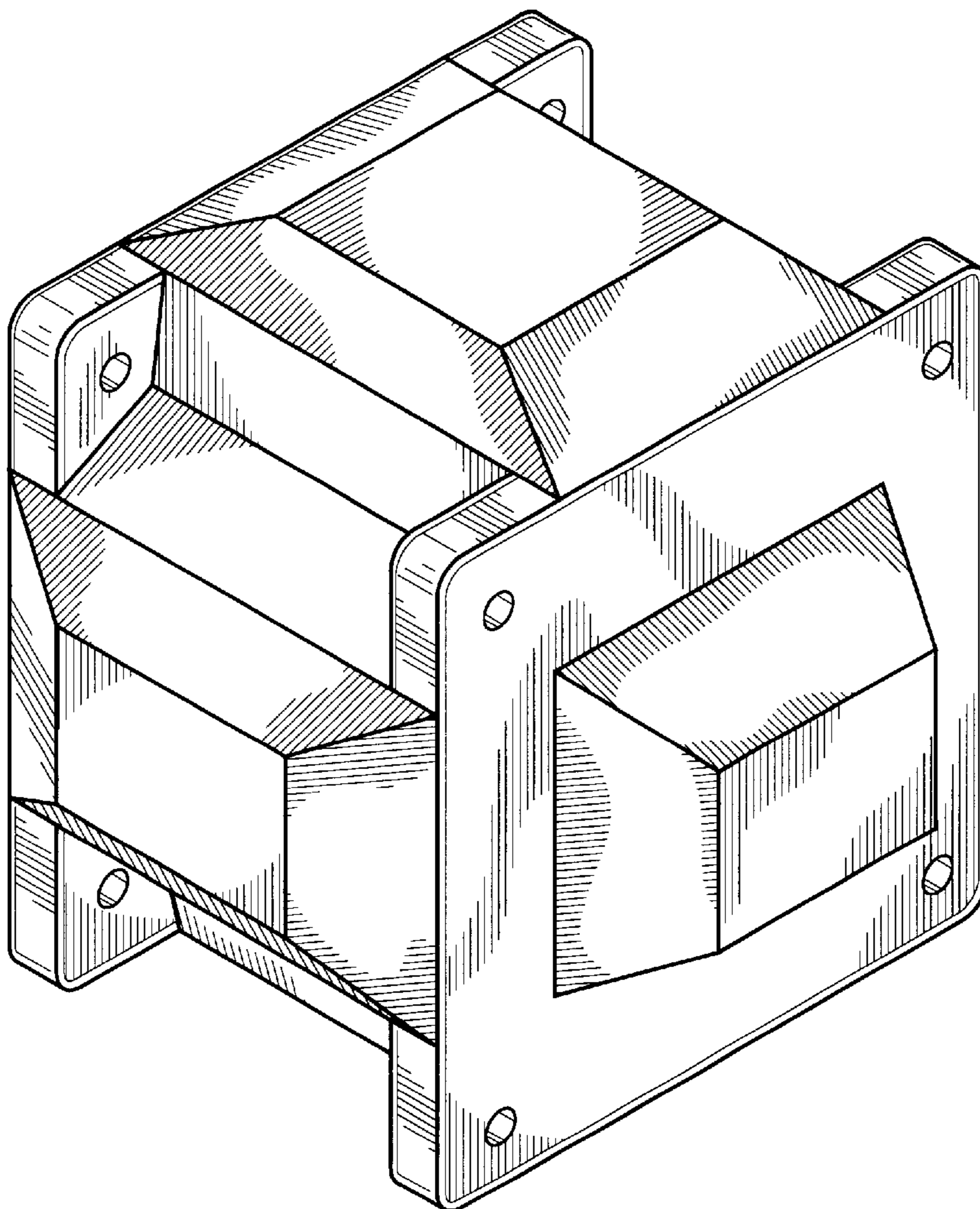
FIG. 1 is a perspective view of a wave attenuator showing my new design from the side, the opposing other side being identical thereto;

FIG. 2 is an elevational front view thereof, with the opposing rear view being identical thereto;

FIG. 3 is an elevational side view thereof, with the opposing side view being identical thereto; and,

FIG. 4 is an elevational top view thereof, with the bottom view being identical thereto.

1 Claim, 4 Drawing Sheets



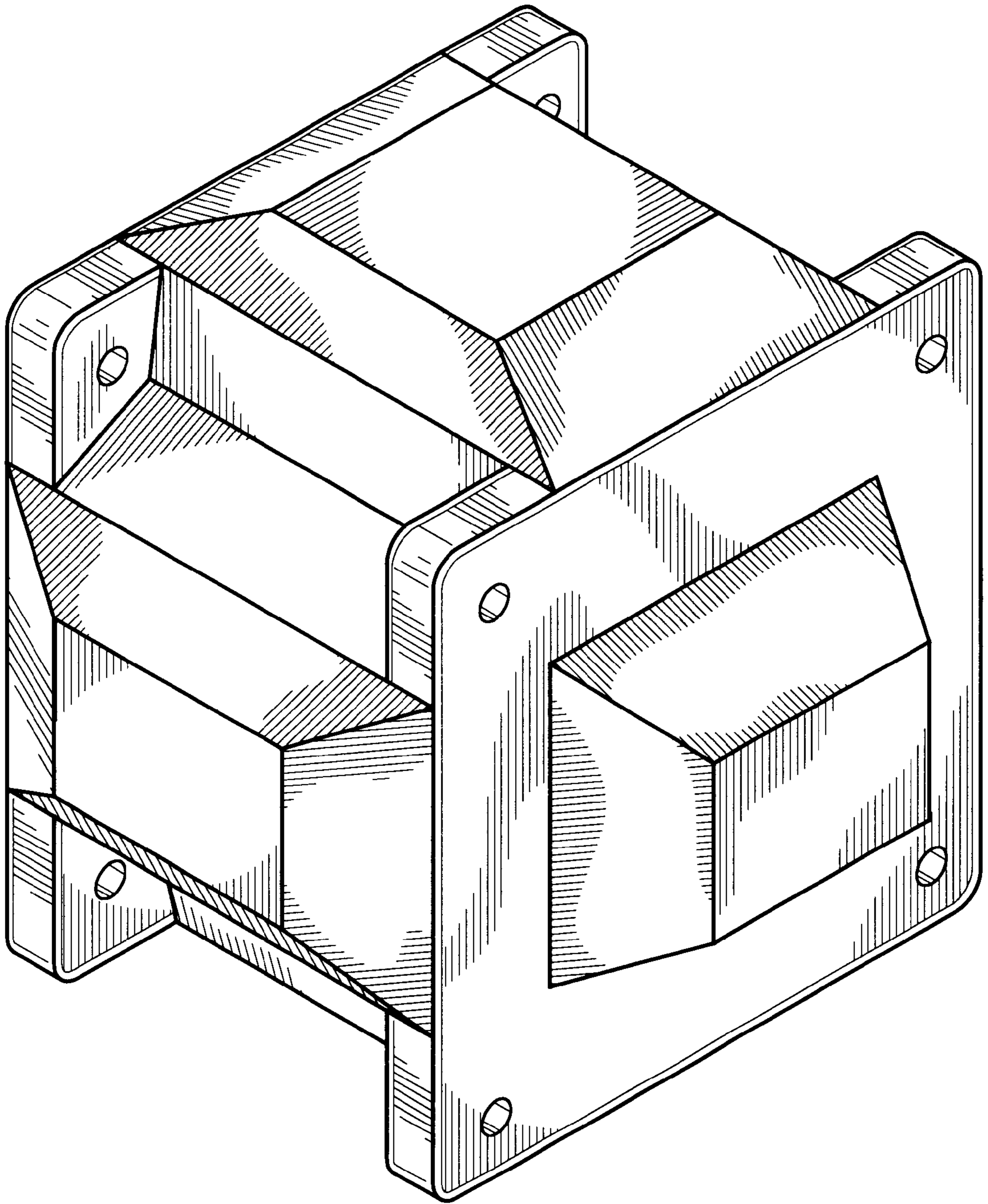


FIG. 1

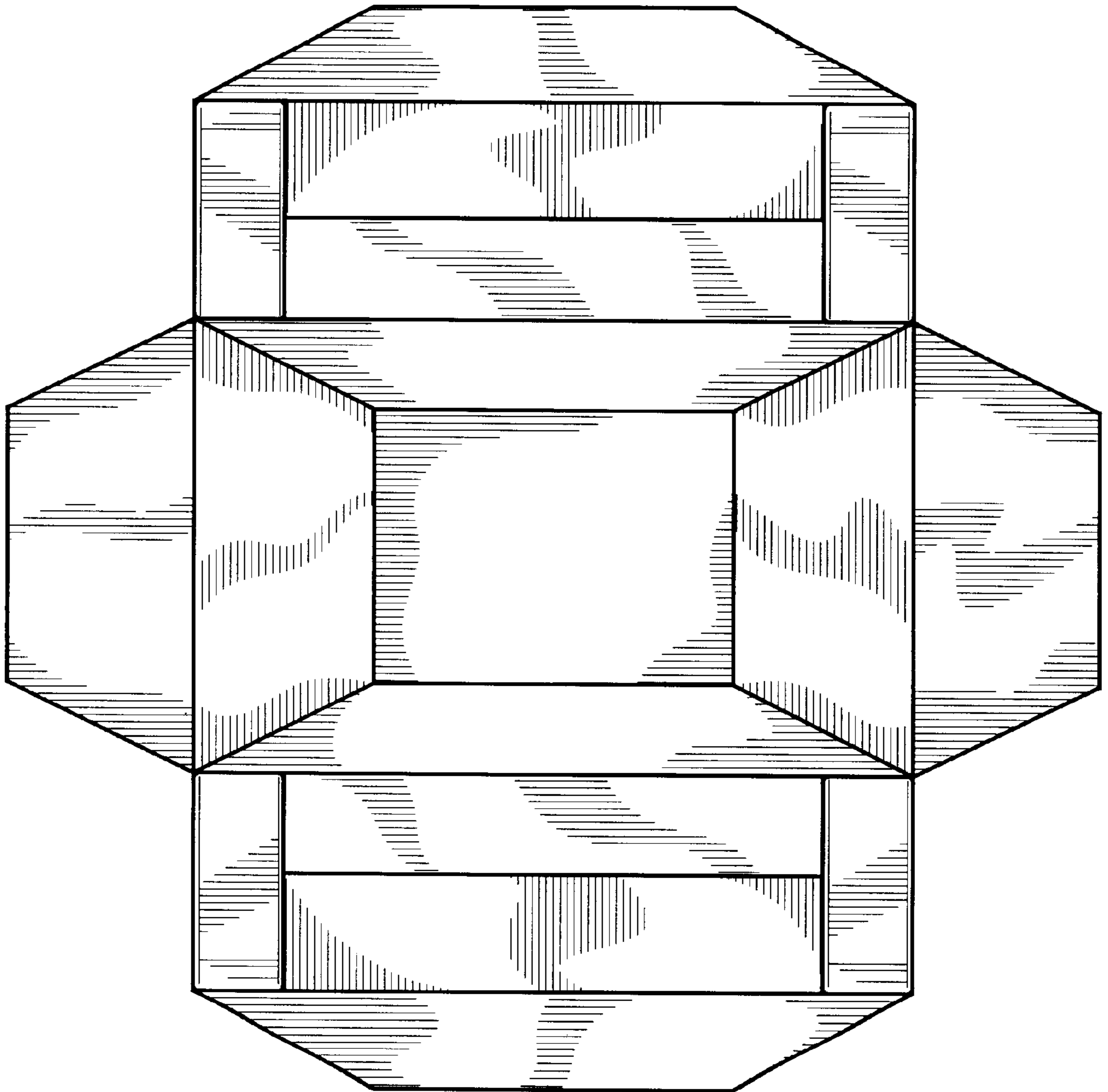


FIG.2

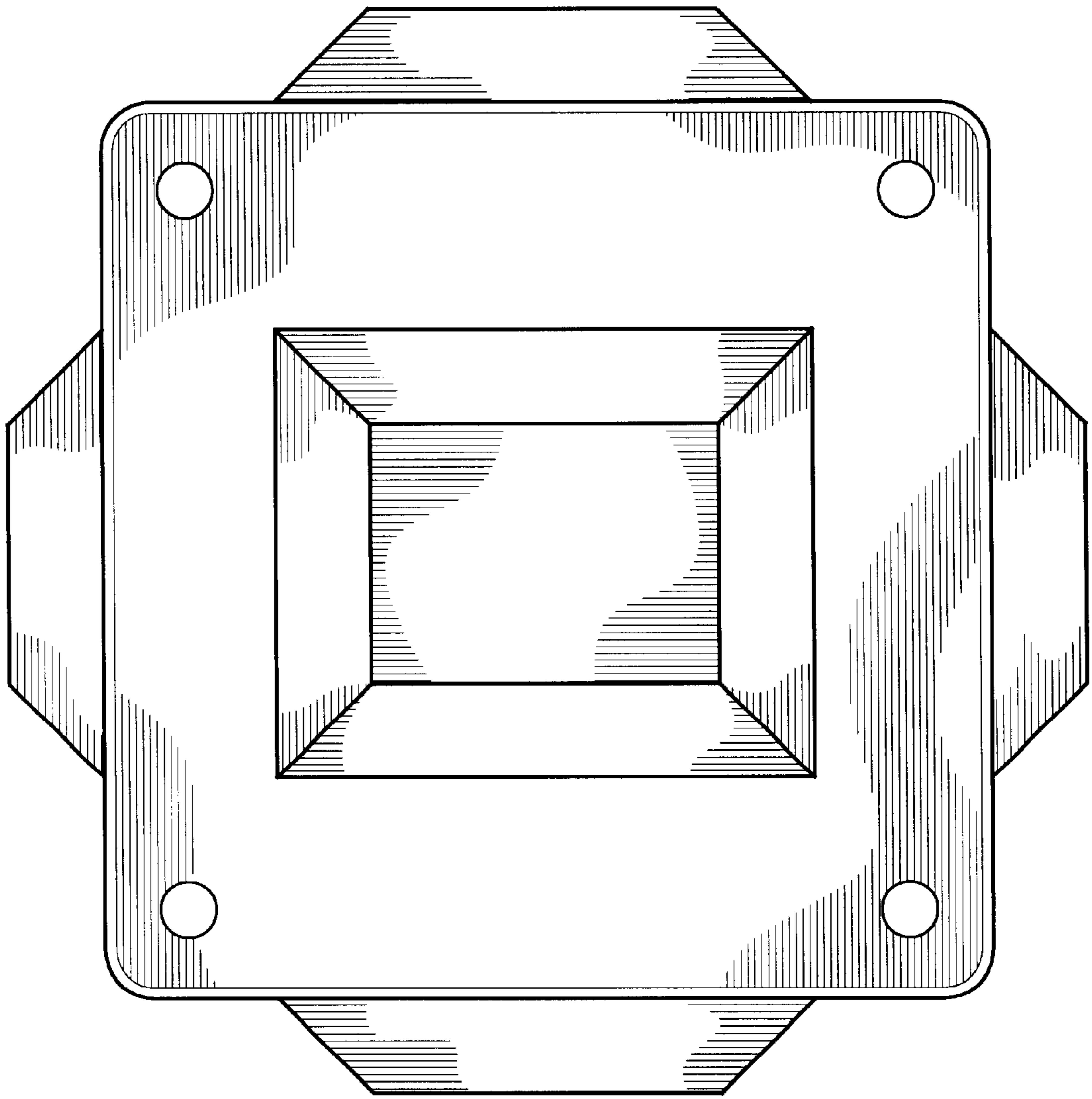


FIG.3

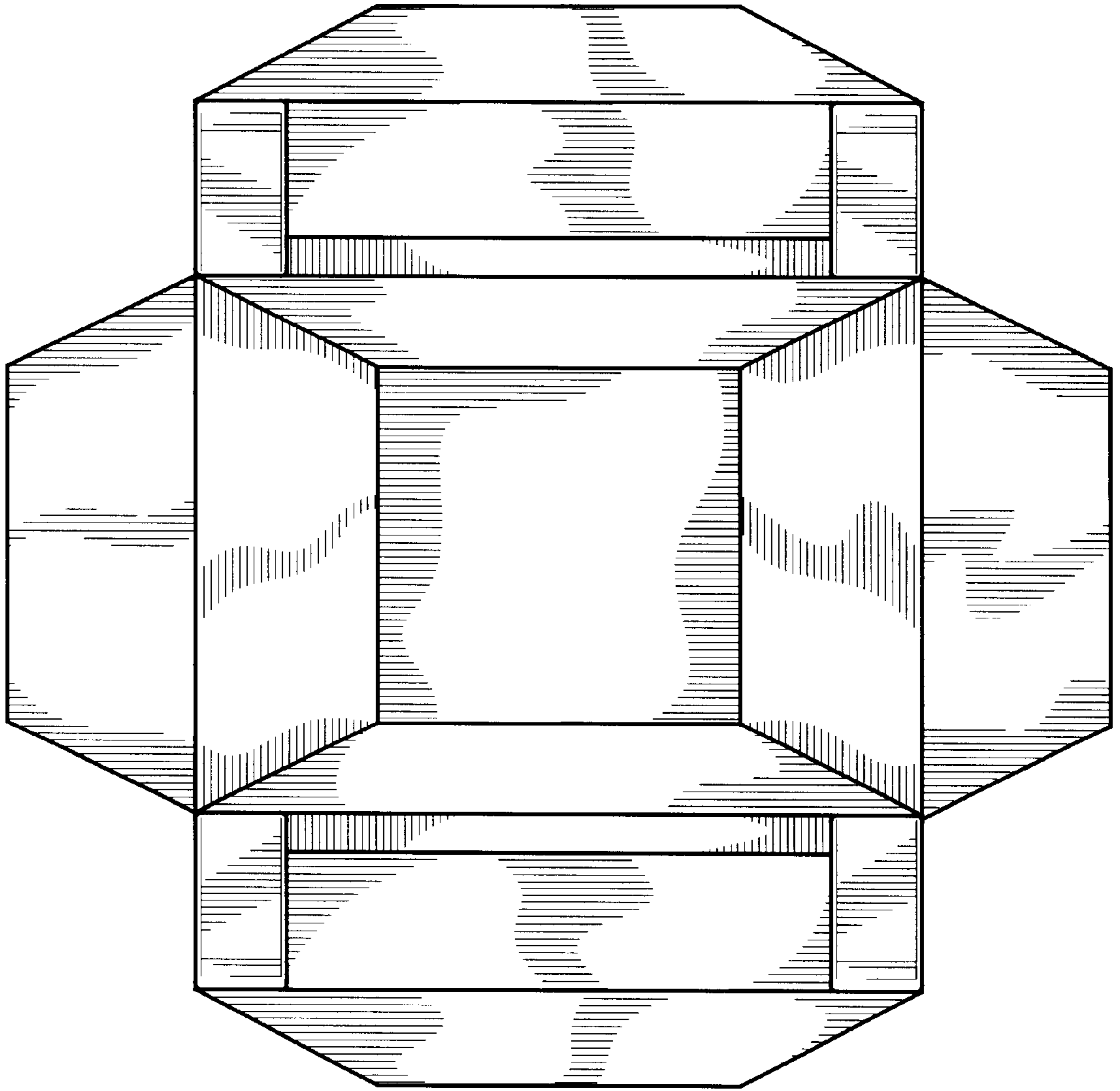


FIG.4