



US00D480040S

(12) **United States Design Patent**
Beasley

(10) **Patent No.:** **US D480,040 S**

(45) **Date of Patent:** **** Sep. 30, 2003**

(54) **RECREATIONAL WATER CRAFT DESIGN**

(75) Inventor: **Robert C. Beasley**, Muncie, IN (US)

(73) Assignee: **Beaz Company, LLC**, Eaton, IN (US)

(**) Term: **14 Years**

(21) Appl. No.: **29/162,031**

(22) Filed: **Jun. 7, 2002**

(51) **LOC (7) Cl.** **12-06**

(52) **U.S. Cl.** **D12/300**

(58) **Field of Search** D12/300; 114/253;
441/65, 64, 79

(56) **References Cited**

U.S. PATENT DOCUMENTS

4,894,035	A	*	1/1990	Pia	441/79
5,700,174	A	*	12/1997	Churchill et al.	441/65
5,934,961	A	*	8/1999	Mehrmann et al.	441/65
5,979,351	A	*	11/1999	Fleischman et al.	114/253
6,213,830	B1	*	4/2001	Robinson	441/65
6,482,059	B2	*	11/2002	McCarthy	441/64

* cited by examiner

Primary Examiner—Holly Baynham

(74) *Attorney, Agent, or Firm*—Grimes & Battersby, LLP

(57) **CLAIM**

The ornamental design for the recreational water craft design, as shown.

DESCRIPTION

FIG. 1 is a top perspective view of the recreational water craft design of the present invention.

FIG. 2 is a bottom perspective view of the recreational water craft design of present invention.

FIG. 3 is a bottom view of the recreational water craft design of present invention.

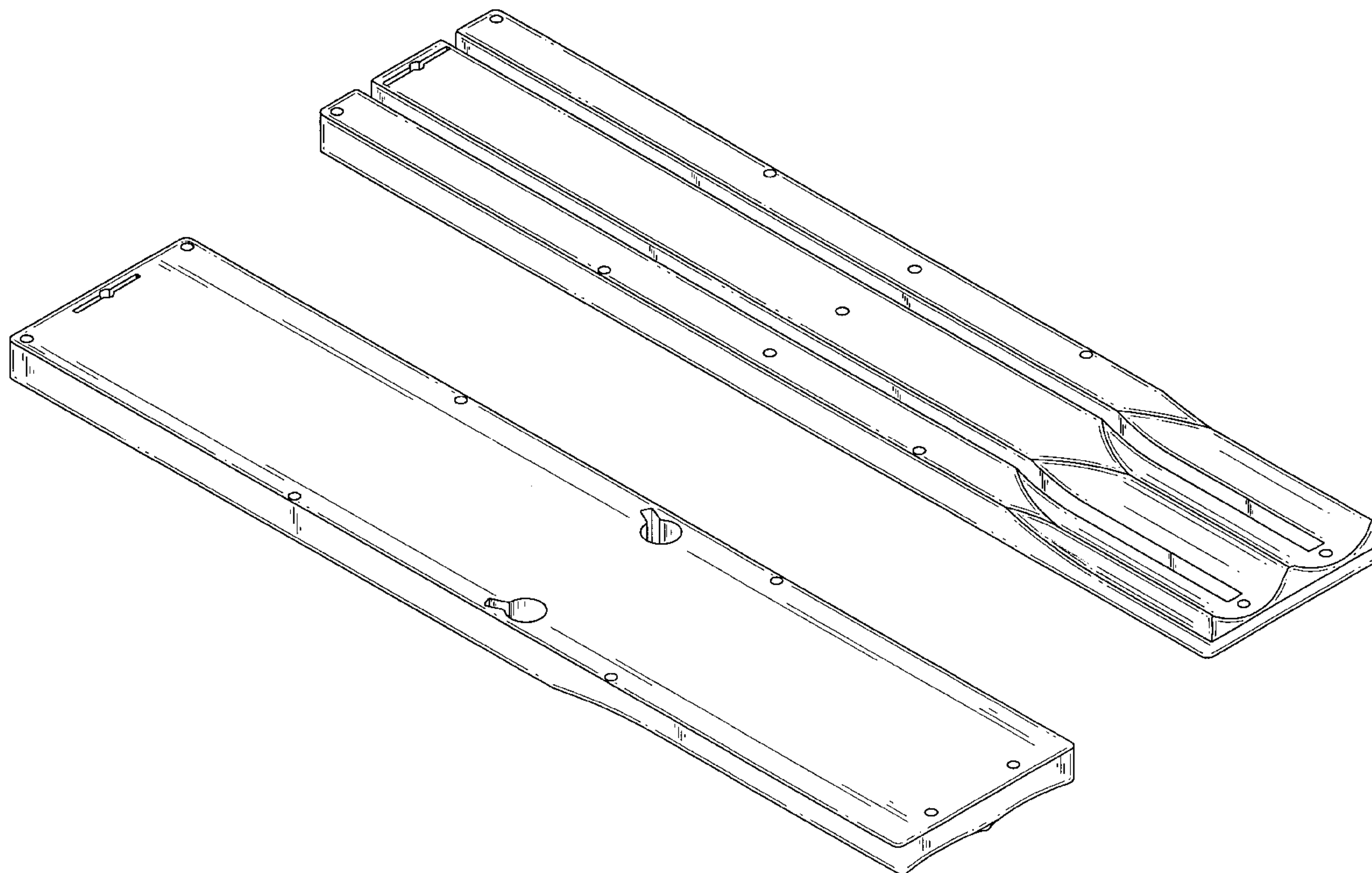
FIG. 4 is a top view of the recreational water craft design of present invention.

FIG. 5 is a side view of the recreational water craft design of present invention.

FIG. 6 is a front end view of the recreational water craft design of the present invention; and,

FIG. 7 is a back end view of the recreational water craft design of the present invention.

1 Claim, 2 Drawing Sheets



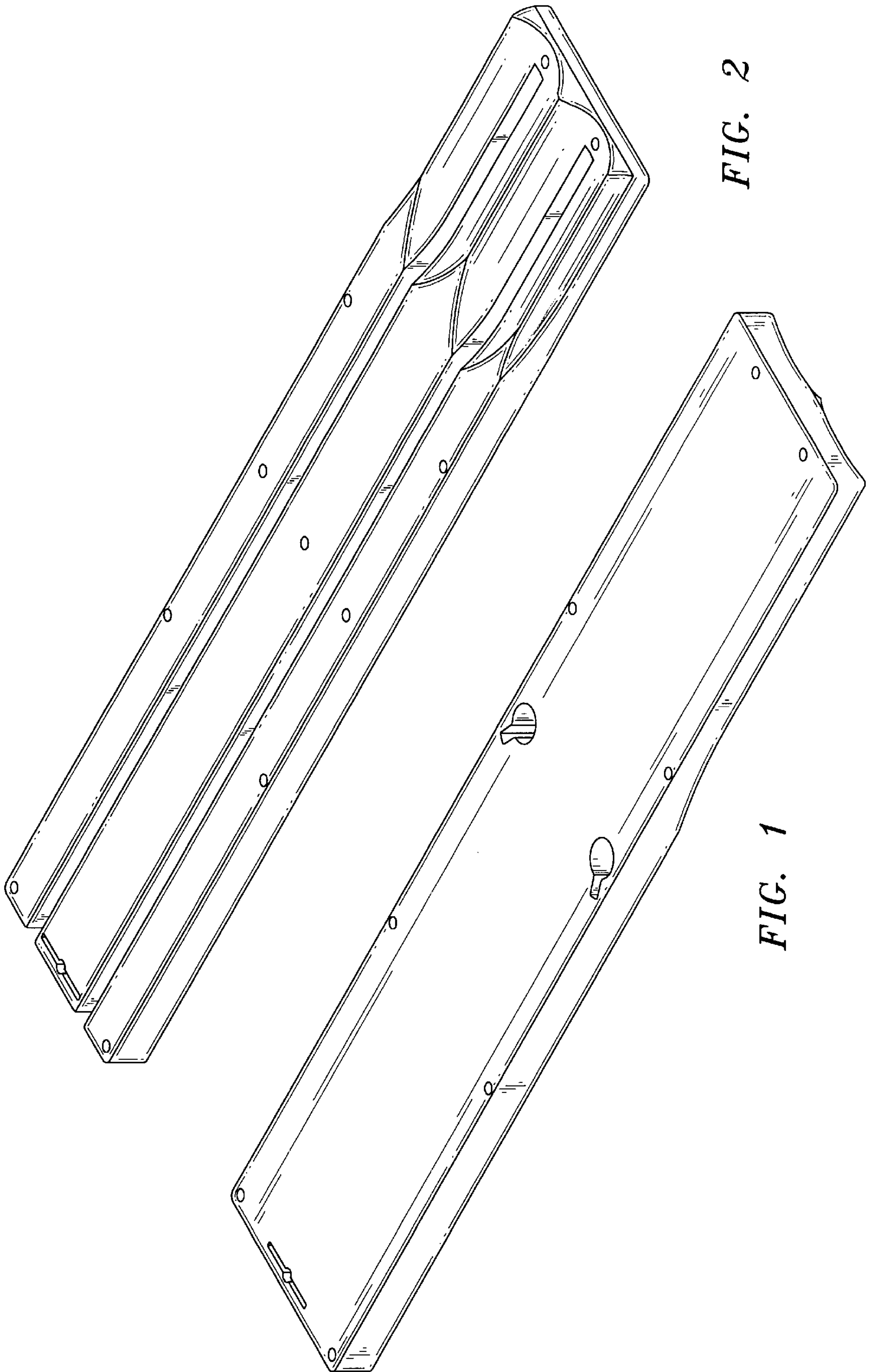


FIG. 2

FIG. 1

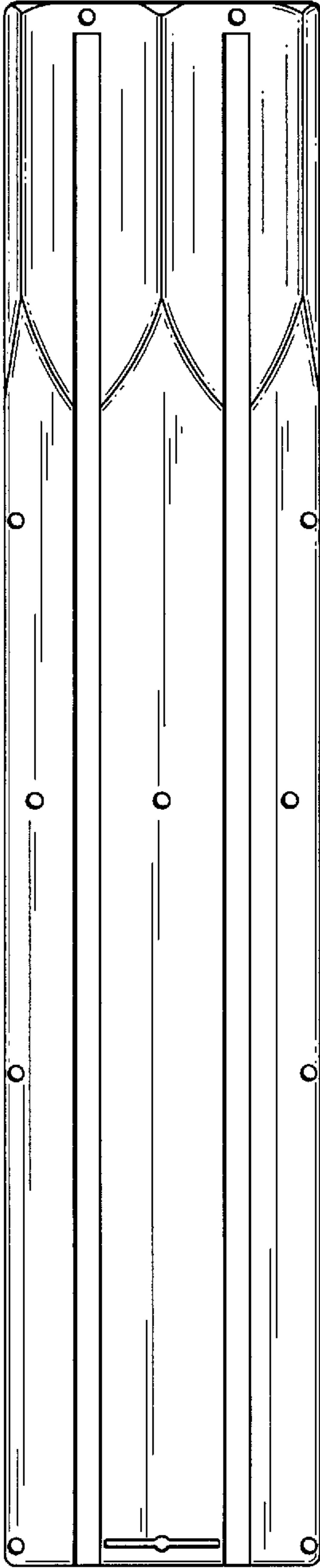


FIG. 3

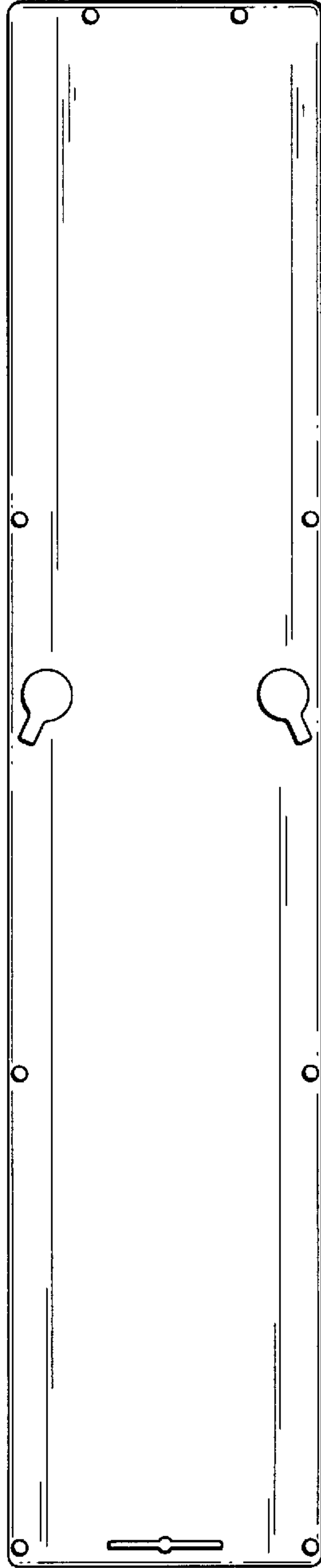


FIG. 4



FIG. 5



FIG. 6



FIG. 7