



US00D480036S

(12) **United States Design Patent**
Laengerer

(10) **Patent No.:** **US D480,036 S**

(45) **Date of Patent:** **** Sep. 30, 2003**

(54) **FRONT FACE OF A VEHICLE WHEEL**

(75) Inventor: **Marcus Laengerer**, Renningen (DE)

(73) Assignee: **DaimlerChrysler AG**, Stuttgart (DE)

(**) Term: **14 Years**

(21) Appl. No.: **29/151,293**

(22) Filed: **Dec. 7, 2001**

(30) **Foreign Application Priority Data**

Jun. 18, 2001 (DE) 4 01 05 357

(51) **LOC (7) Cl.** **12-16**

(52) **U.S. Cl.** **D12/211**

(58) **Field of Search** D12/204-211;
301/37.101, 64.101, 65

(56) **References Cited**

U.S. PATENT DOCUMENTS

| | | | | | |
|------------|---|---------|---------------|-------|---------|
| D245,599 S | * | 8/1977 | De Vries | | D12/211 |
| D368,464 S | * | 4/1996 | Morley et al. | | D12/209 |
| D410,426 S | * | 6/1999 | Frizzi | | D12/211 |
| D428,379 S | * | 7/2000 | Donikoglu | | D12/211 |
| D432,484 S | * | 10/2000 | Chung | | D12/211 |

| | | | | | |
|------------|---|---------|-----------------|-------|---------|
| D438,503 S | * | 3/2001 | Syring | | D12/211 |
| D451,066 S | * | 11/2001 | Pfeiffer et al. | | D12/211 |
| D451,877 S | * | 12/2001 | Lee | | D12/211 |
| D453,136 S | * | 1/2002 | Frizzi | | D12/211 |
| D460,942 S | * | 7/2002 | Lee | | D12/211 |
| D463,769 S | * | 10/2002 | Chung | | D12/211 |
| D470,094 S | * | 2/2003 | Van Hooydonk | | D12/211 |
| D474,440 S | * | 5/2003 | Oh | | D12/211 |

* cited by examiner

Primary Examiner—Stacia Cadmus

(74) *Attorney, Agent, or Firm*—Crowell & Moring LLP

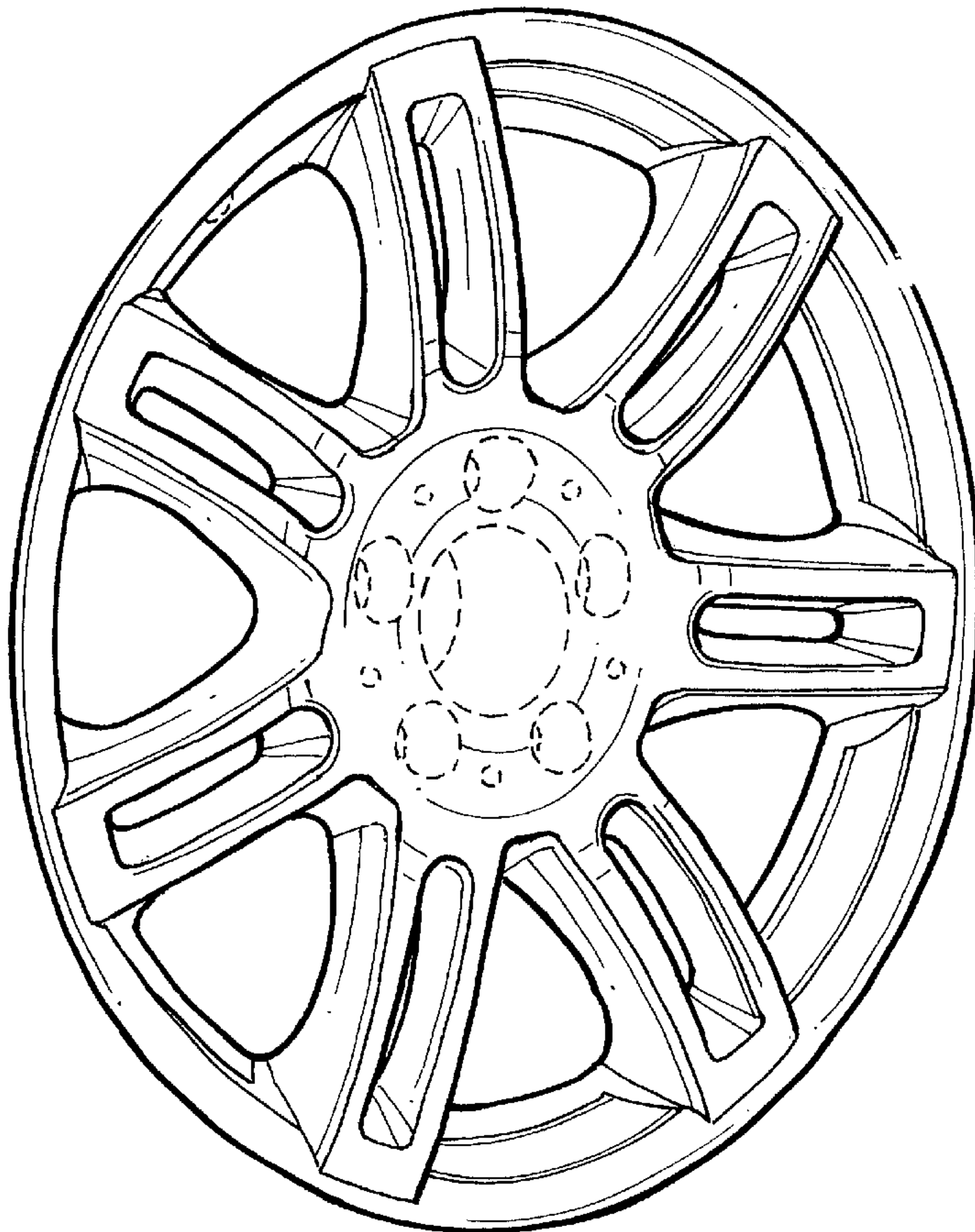
(57) **CLAIM**

The ornamental design for a front face of a vehicle wheel, as shown and described.

DESCRIPTION

FIG. 1 is a front view of a front face of a vehicle wheel according to my novel design; and, FIG. 2 is a perspective view of the front face of a vehicle wheel according to my novel design. The dash lines included depict environment and are not part of the claimed design.

1 Claim, 1 Drawing Sheet



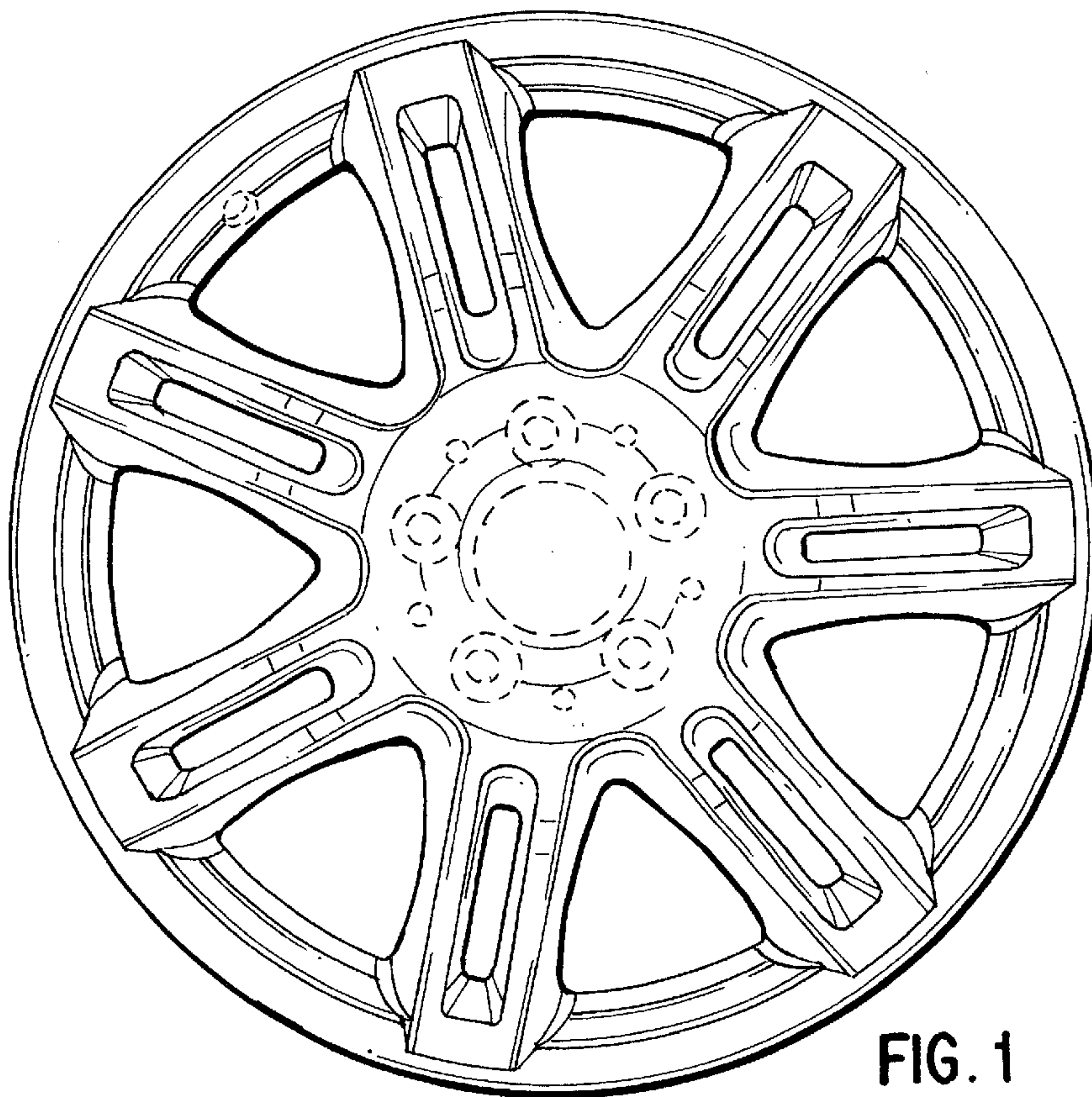


FIG. 1

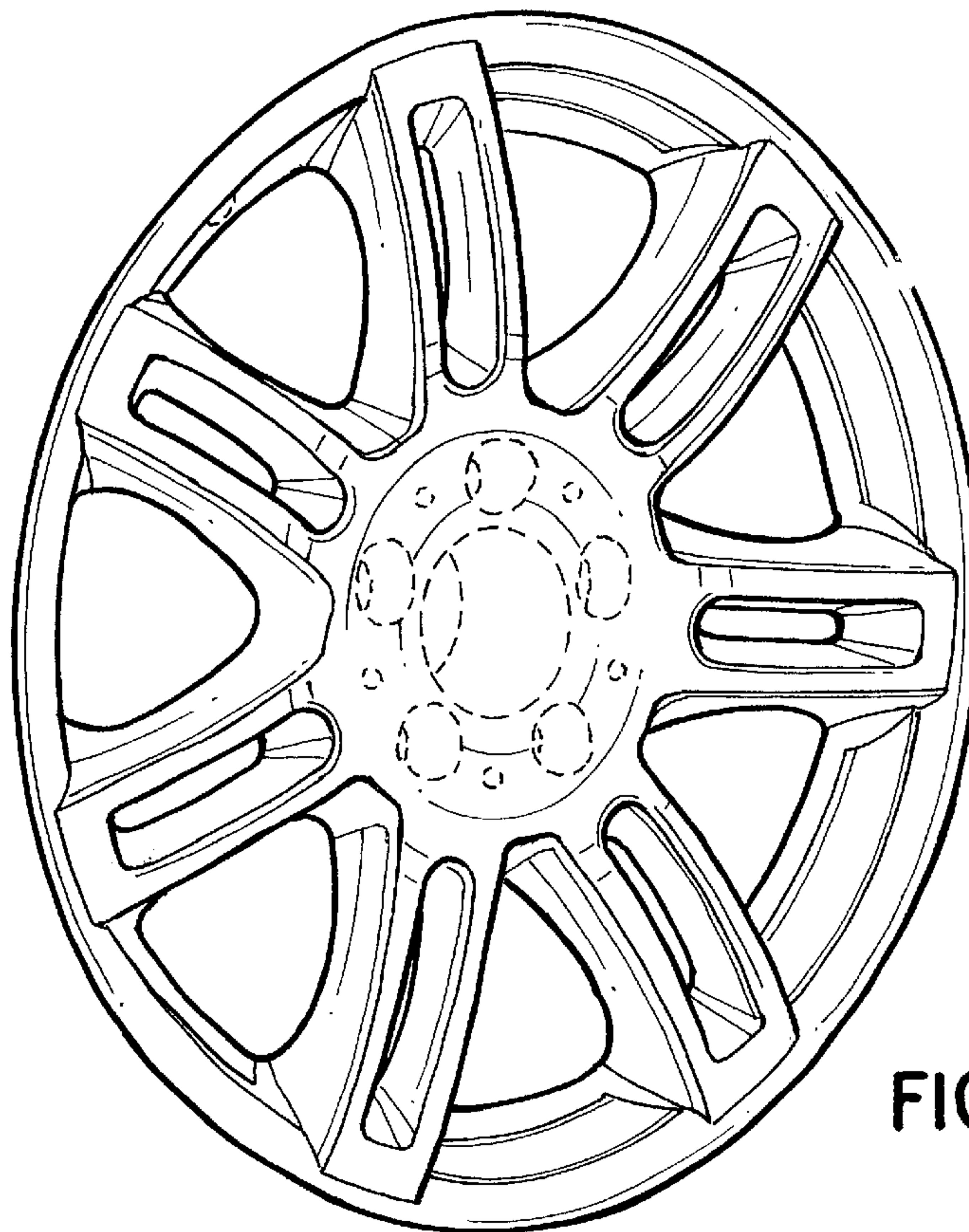


FIG. 2