



US00D480035S

(12) **United States Design Patent**  
**Fröhlich**

(10) **Patent No.:** **US D480,035 S**

(45) **Date of Patent:** **\*\* Sep. 30, 2003**

(54) **FRONT FACE OF A VEHICLE WHEEL**

(75) **Inventor:** **Jacek Fröhlich, Weilerswist (DE)**

(73) **Assignee:** **Bayerische Motoren Werke  
Aktiengesellschaft, Munich (DE)**

(\*\*) **Term:** **14 Years**

(21) **Appl. No.:** **29/141,902**

(22) **Filed:** **May 16, 2001**

(30) **Foreign Application Priority Data**

Nov. 16, 2000 (DE) ..... 4 00 10 998

(51) **LOC (7) Cl.** ..... **12-16**

(52) **U.S. Cl.** ..... **D12/211**

(58) **Field of Search** ..... D12/204-211;  
301/37.101, 64.101, 65

(56) **References Cited**

**U.S. PATENT DOCUMENTS**

- D402,951 S \* 12/1998 Wechner ..... D12/211
- D410,426 S \* 6/1999 Frizzi ..... D12/211
- D416,849 S \* 11/1999 Weidhase ..... D12/211
- D438,162 S \* 2/2001 Syring ..... D12/211
- D438,503 S \* 3/2001 Syring ..... D12/211

- D445,082 S \* 7/2001 Chung ..... D12/211
- D451,067 S \* 11/2001 Frizzi ..... D12/211
- D451,877 S \* 12/2001 Lee ..... D12/211
- D453,494 S \* 2/2002 Brown et al. .... D12/211
- D454,327 S \* 3/2002 Bux ..... D12/211
- D460,942 S \* 7/2002 Lee ..... D12/211

**FOREIGN PATENT DOCUMENTS**

WO DM/049334 12/1999 ..... 12/16

\* cited by examiner

*Primary Examiner*—Stacia Cadmus

(74) *Attorney, Agent, or Firm*—Crowell & Moring LLP

(57) **CLAIM**

The ornamental design for a front face of a vehicle wheel, as shown and described.

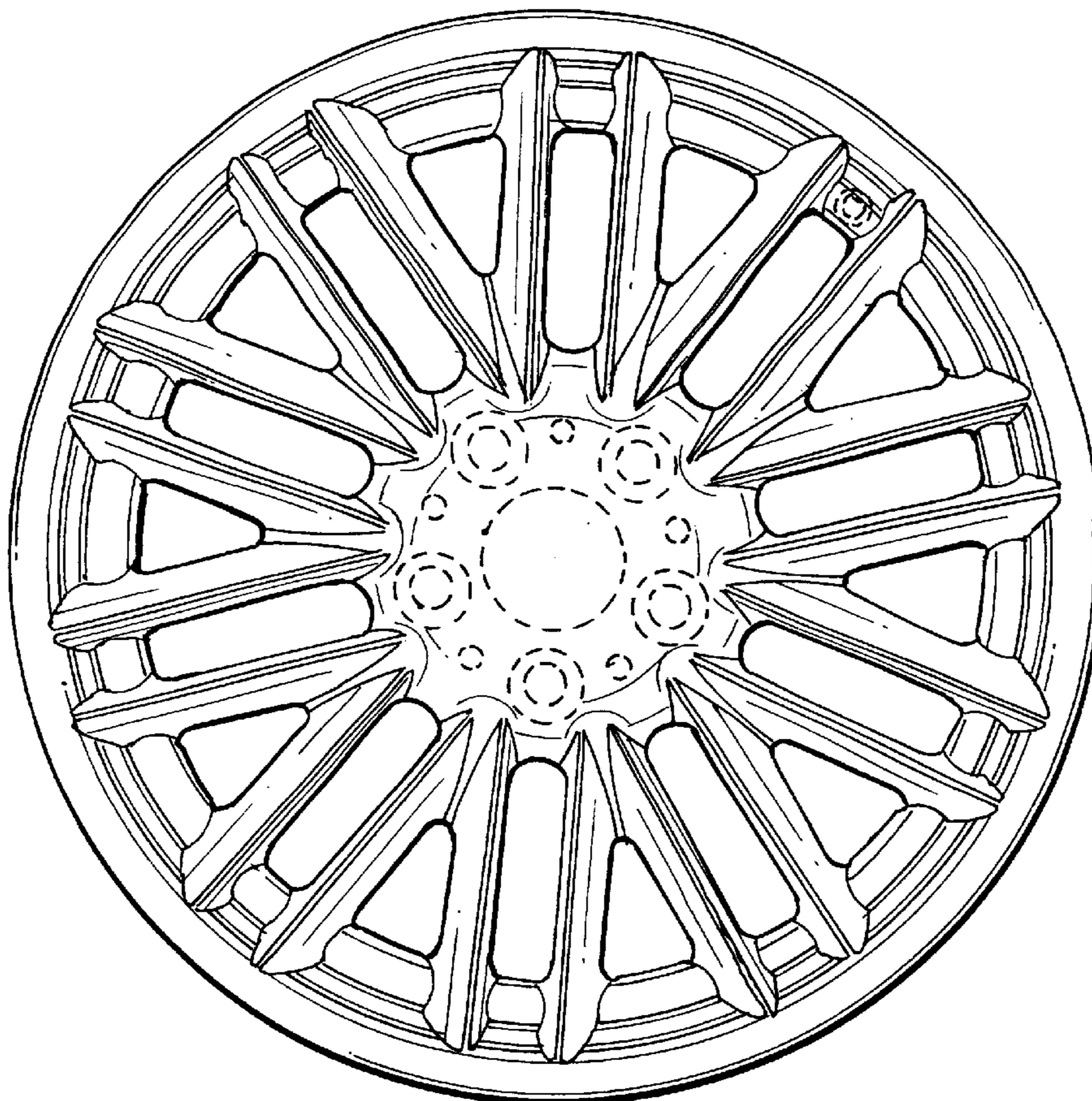
**DESCRIPTION**

FIG. 1 is a front view of a front face of a vehicle wheel according to my novel design; and,

FIG. 2 is a perspective view of the front face of a vehicle wheel according to my novel design.

The dash lines included depict environment and are not part of the claimed design.

**1 Claim, 1 Drawing Sheet**



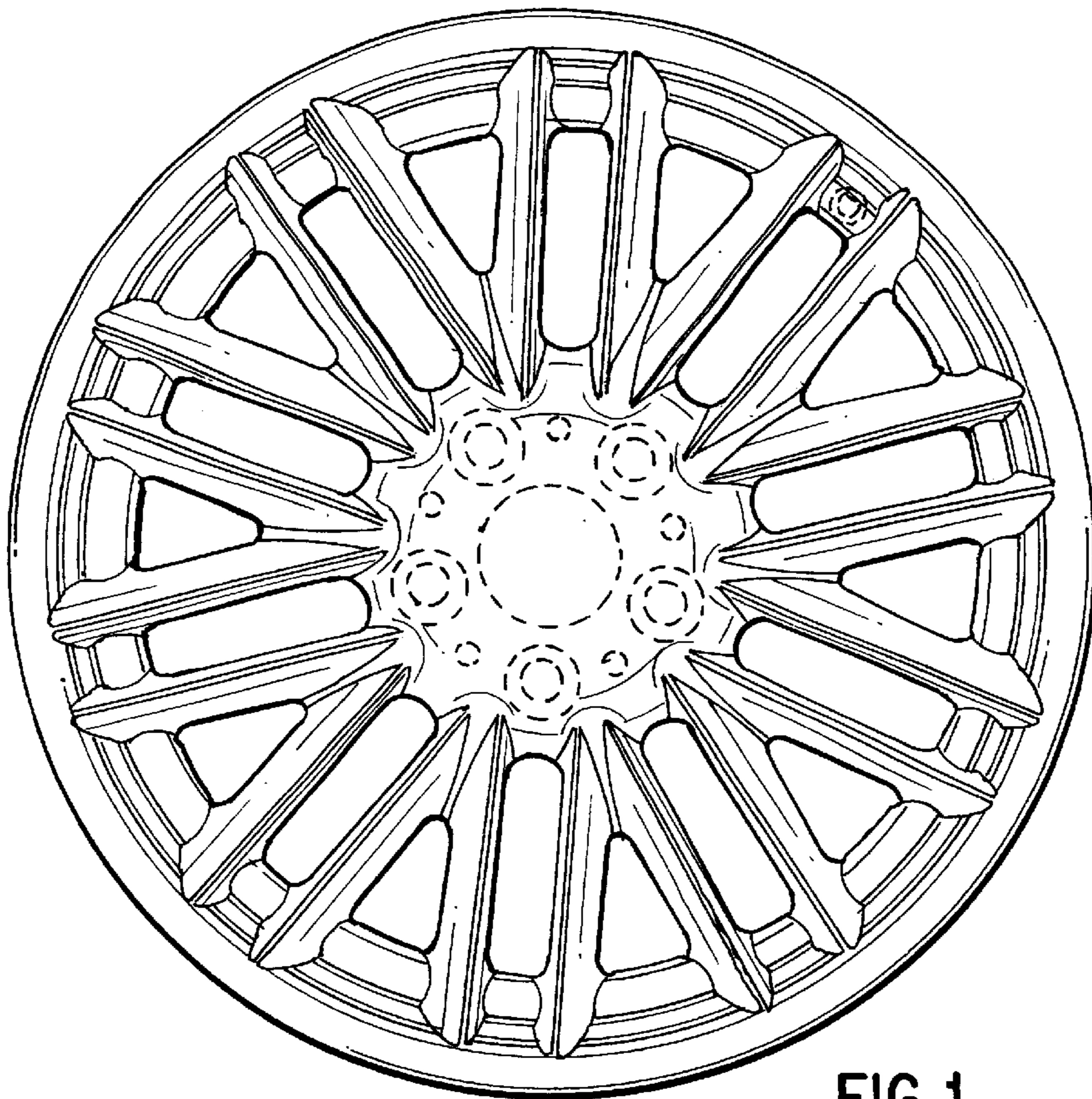


FIG. 1

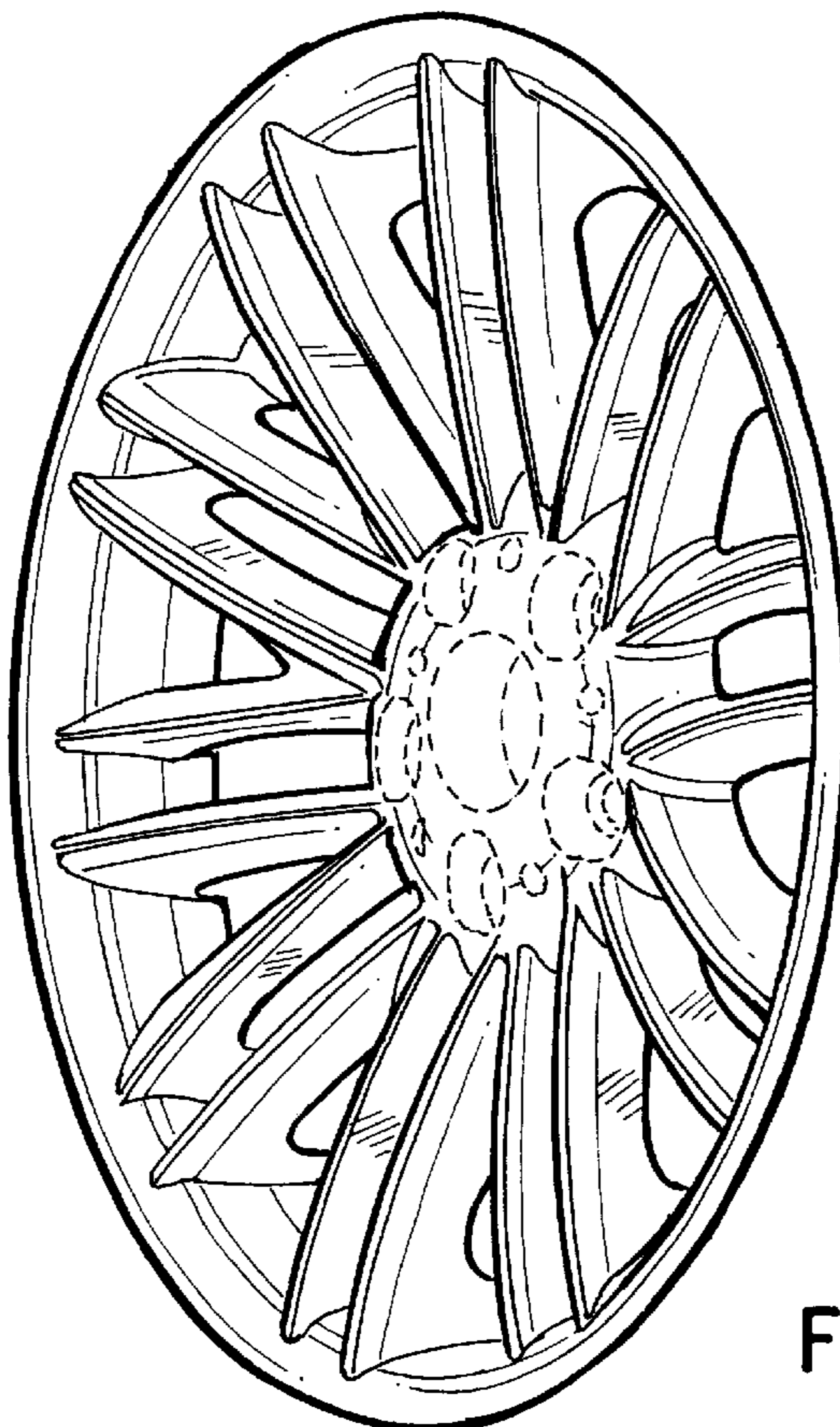


FIG. 2