



US00D480031S

(12) **United States Design Patent**  
**Mattin et al.**

(10) **Patent No.:** **US D480,031 S**  
(45) **Date of Patent:** **\*\* Sep. 30, 2003**

(54) **FRONT FACE OF A VEHICLE WHEEL**

(75) Inventors: **Stephen Mattin**, Sindelfingen (DE);  
**Ulrich Brinkmann**, Stuttgart (DE)

(73) Assignee: **DaimlerChrysler AG**, Stuttgart (DE)

(\*\*) Term: **14 Years**

(21) Appl. No.: **29/151,101**

(22) Filed: **Dec. 5, 2001**

(30) **Foreign Application Priority Data**

Jun. 8, 2001 (DE) ..... 4 01 05 121

(51) **LOC (7) Cl.** ..... **12-16**

(52) **U.S. Cl.** ..... **D12/209**

(58) **Field of Search** ..... D12/204-211;  
301/37.101, 64.101, 65

(56) **References Cited**

**U.S. PATENT DOCUMENTS**

- D375,286 S \* 11/1996 Abbott ..... D12/209
- D416,845 S \* 11/1999 Frueh ..... D12/209
- D432,479 S \* 10/2000 Lee et al. .... D12/209

- D452,470 S \* 12/2001 Gabath ..... D12/209
- D455,387 S \* 4/2002 McMath ..... D12/209
- D460,034 S \* 7/2002 Takechi ..... D12/209
- D461,754 S \* 8/2002 Hoshino ..... D12/209
- D463,348 S \* 9/2002 Kataoka ..... D12/209
- D466,065 S \* 11/2002 Lee ..... D12/209
- D467,856 S \* 12/2002 Pfeiffer ..... D12/209

\* cited by examiner

*Primary Examiner*—Stacia Cadmus

(74) *Attorney, Agent, or Firm*—Crowell & Morning LLP

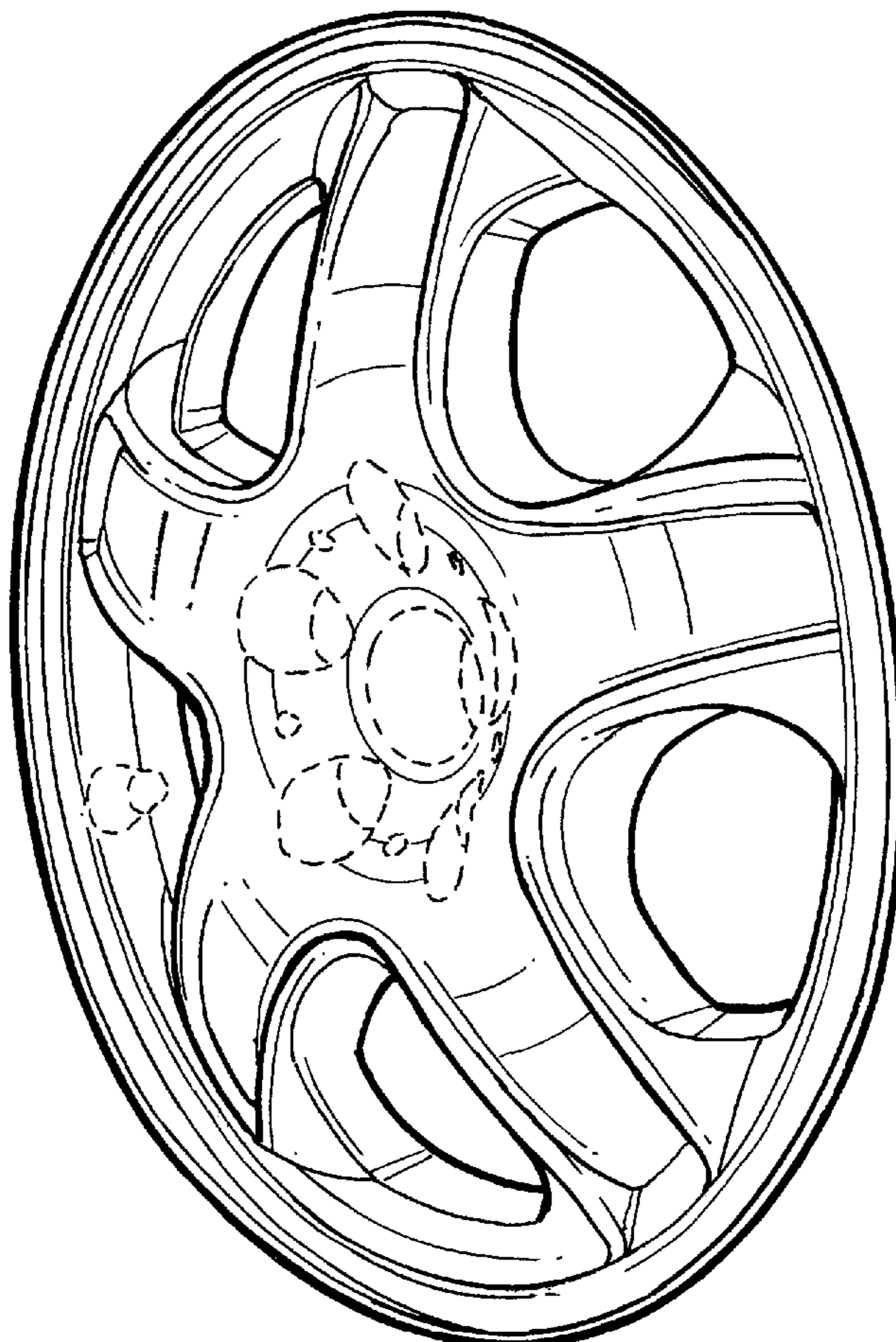
(57) **CLAIM**

The ornamental design for a front face of a vehicle wheel, as shown and described.

**DESCRIPTION**

FIG. 1 is a front view of a front face of a vehicle wheel according to our novel design; and, FIG. 2 is a perspective view of the front face of a vehicle wheel according to our novel design. The dash lines included depict environment and are not part of the claimed design.

**1 Claim, 1 Drawing Sheet**



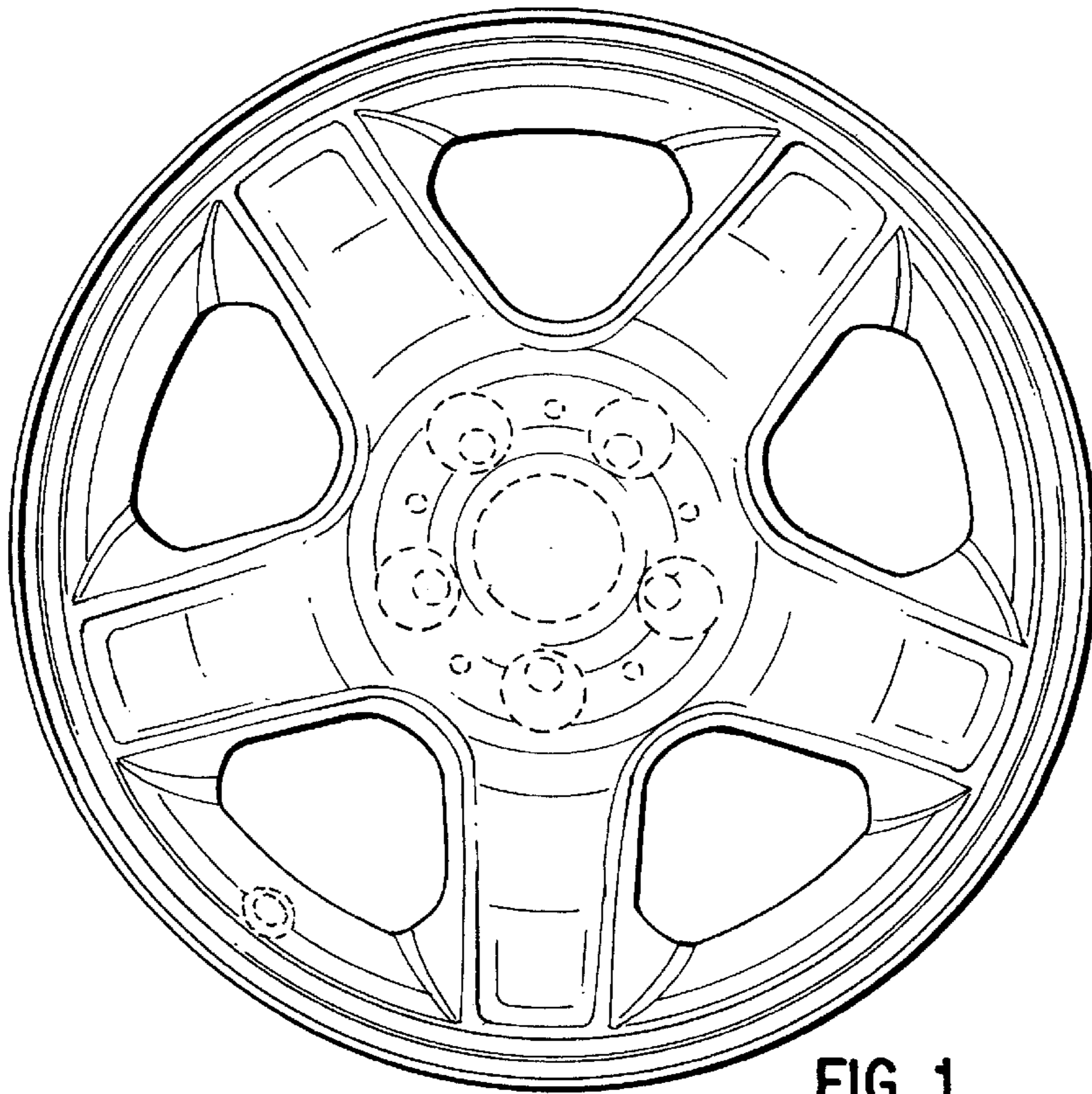


FIG. 1

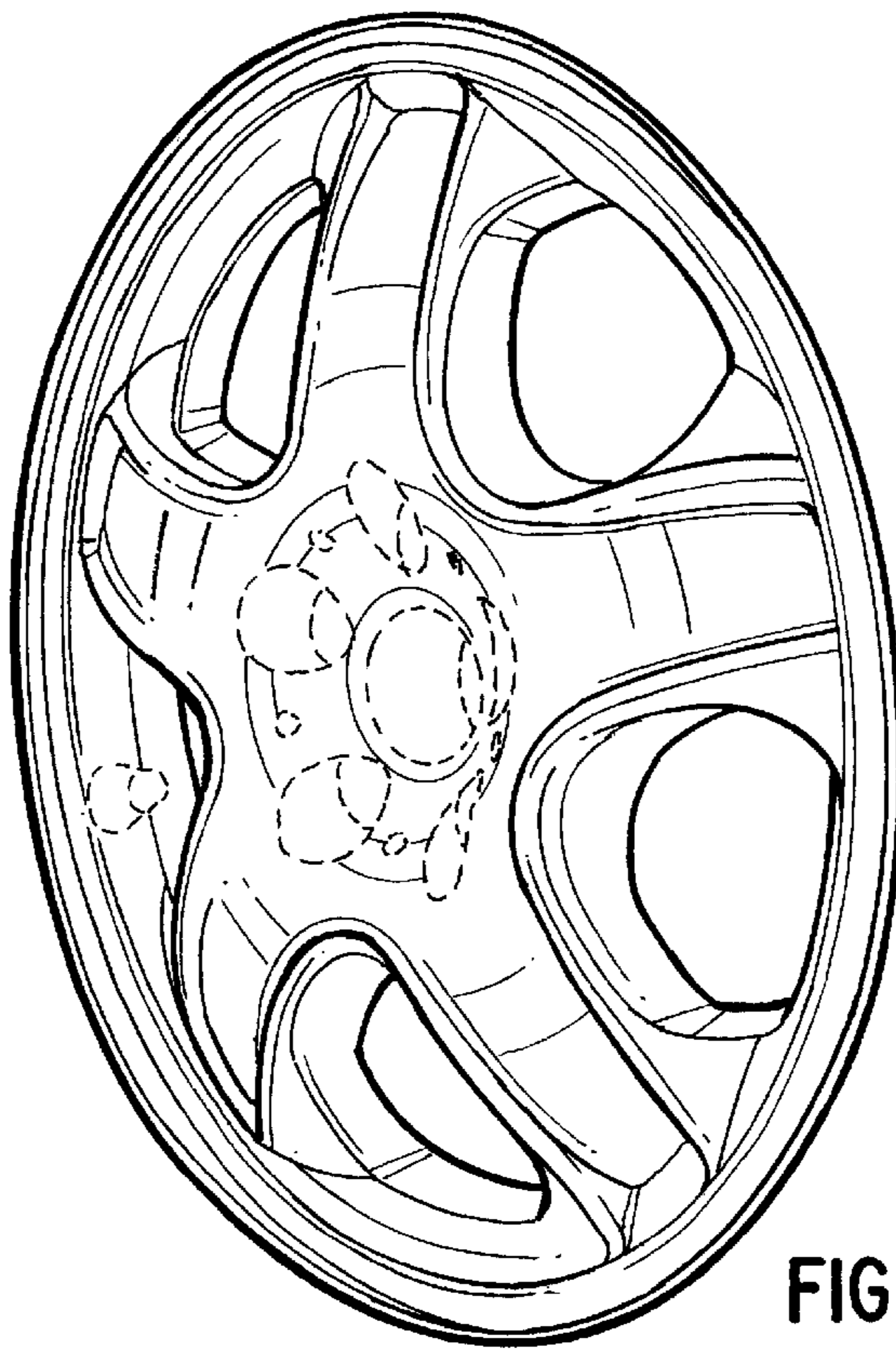


FIG. 2