



US00D480030S

(12) **United States Design Patent**  
**Gilli**

(10) **Patent No.:** **US D480,030 S**

(45) **Date of Patent:** **\*\* Sep. 30, 2003**

(54) **TAIL PIPE FOR MUFFLER**  
(75) Inventor: **Alessandro Gilli**, Mantova (IT)  
(73) Assignee: **Supersprint S.r.l.**, Mantova (IT)  
(\*\*) Term: **14 Years**

4,316,523 A \* 2/1982 Boretti ..... 181/226  
D384,319 S \* 9/1997 Harutiunian ..... D12/194  
D397,661 S \* 9/1998 Harutiunian ..... D12/194  
5,866,860 A \* 2/1999 Chen ..... 181/237  
6,085,863 A \* 7/2000 Shuen ..... 181/228  
D440,531 S \* 4/2001 Nagae ..... D12/194  
D458,570 S \* 6/2002 Wang ..... D12/194

\* cited by examiner

(21) Appl. No.: **29/142,329**  
(22) Filed: **May 24, 2001**  
(30) **Foreign Application Priority Data**  
Nov. 29, 2000 (IT) ..... TO200000325  
(51) **LOC (7) Cl.** ..... **12-16**  
(52) **U.S. Cl.** ..... **D12/194**  
(58) **Field of Search** ..... D12/194, 114;  
D15/5; 181/227-228, 247-249, 264, 282,  
239, 241, 243

*Primary Examiner*—Stacia Cadmus  
(74) *Attorney, Agent, or Firm*—Guido Modiano; Albert Josif; Daniel O'Byrne

(57) **CLAIM**

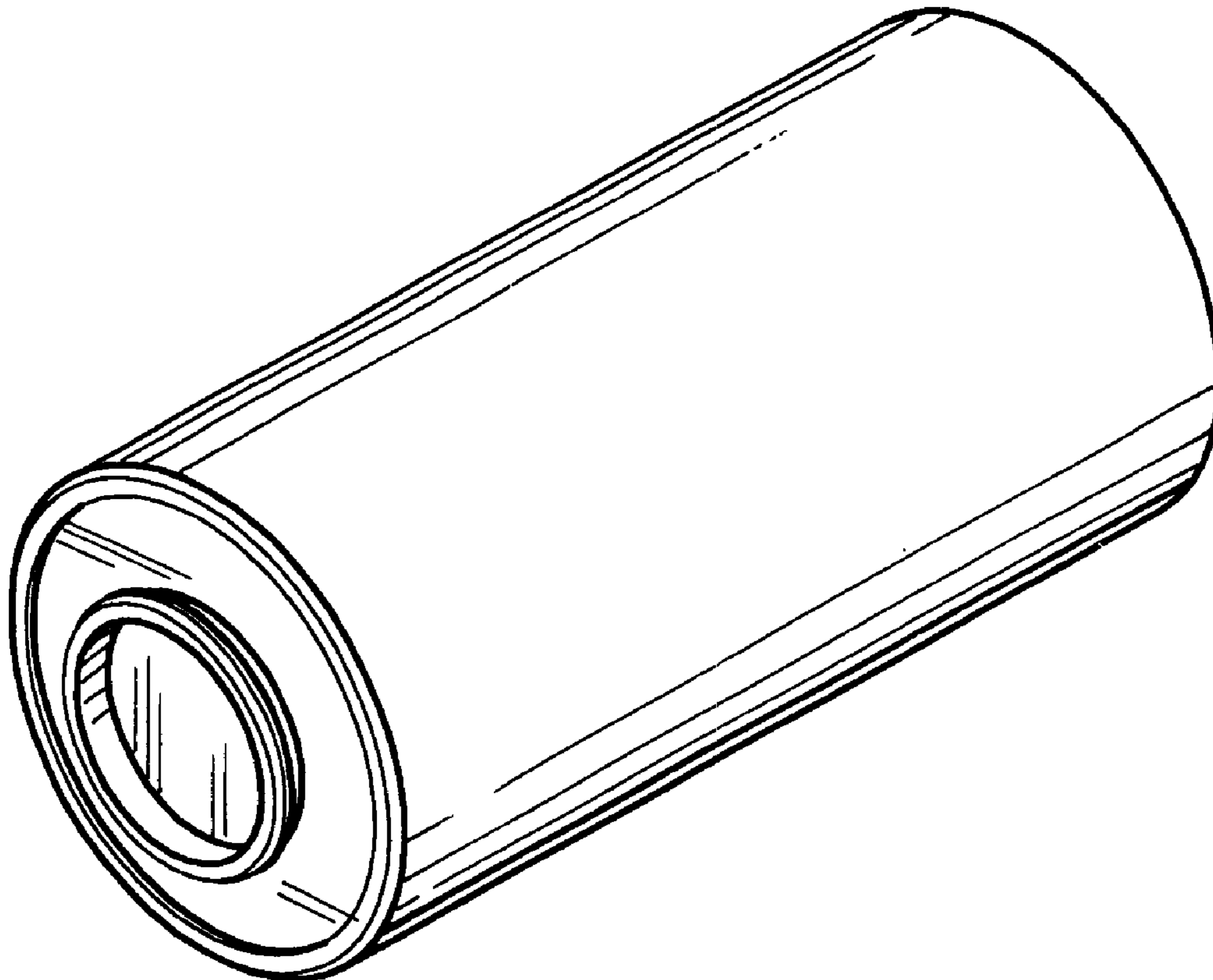
The ornamental design for a tail pipe for muffler, as shown and described.

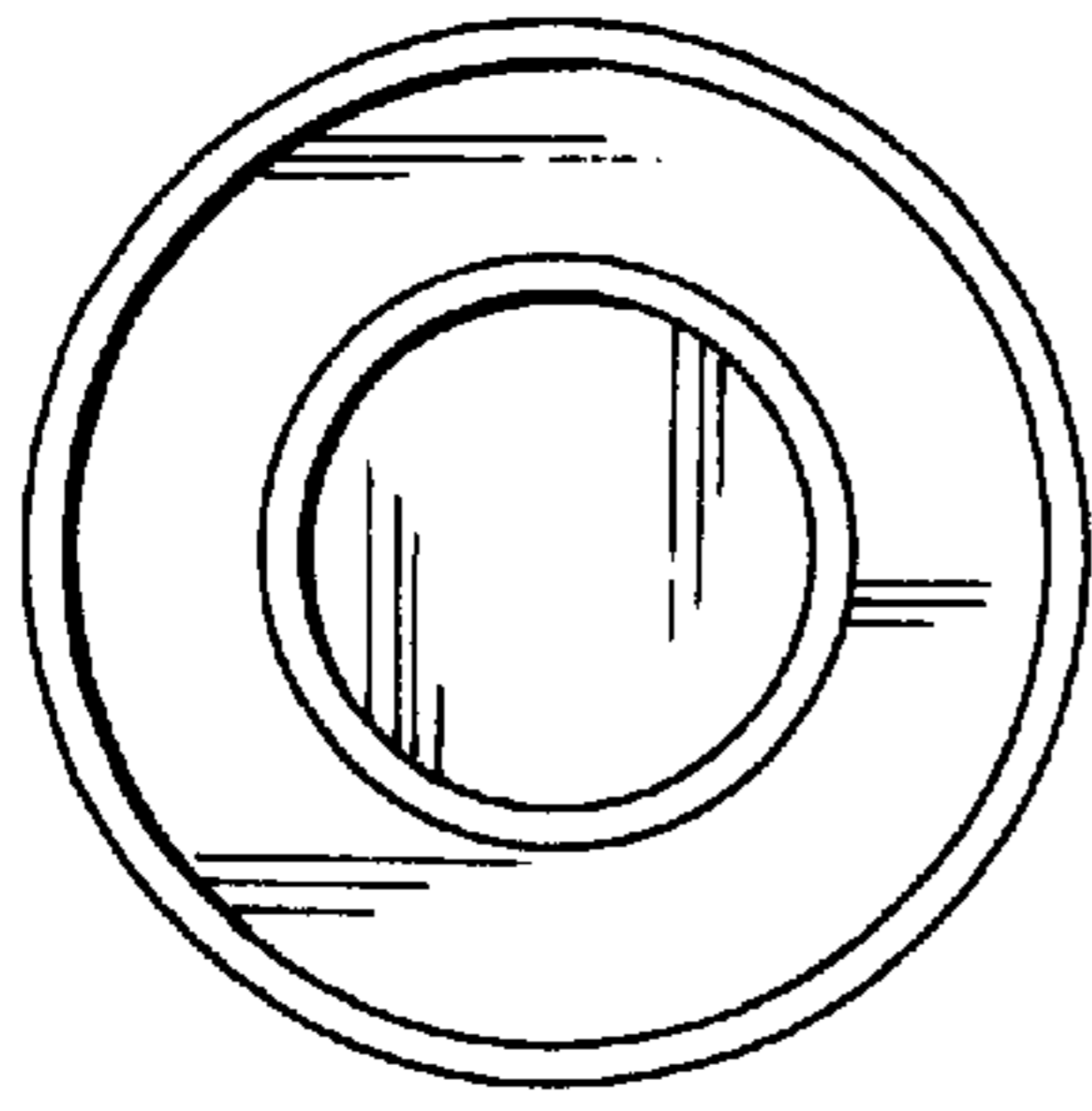
**DESCRIPTION**

FIG. 1 is a top view of the tail pipe for muffler, showing my new design;  
FIG. 2 is a perspective view thereof; and,  
FIG. 3 is a plan view thereof.

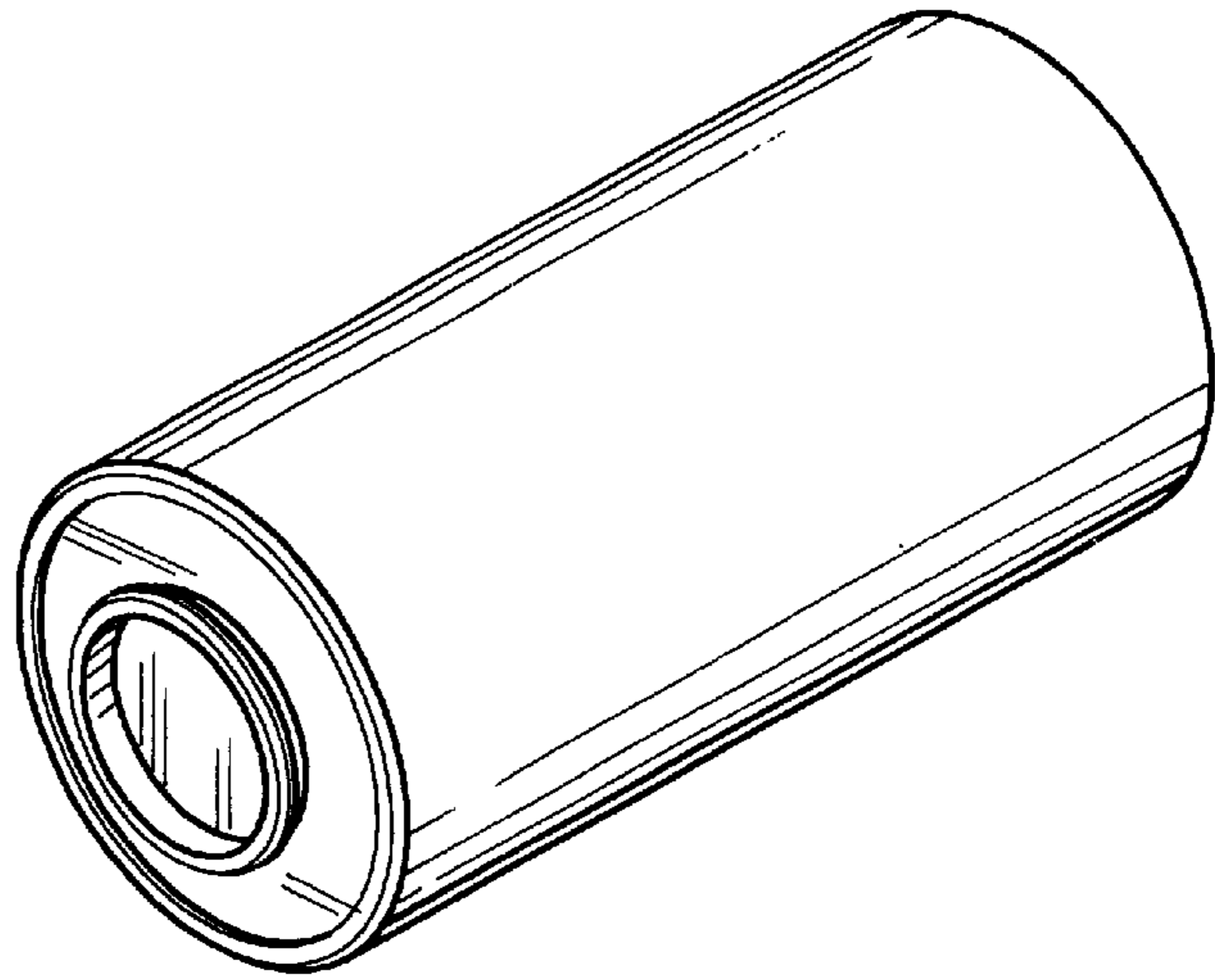
(56) **References Cited**  
**U.S. PATENT DOCUMENTS**  
2,449,756 A \* 9/1948 Trautmann ..... 181/228  
4,104,426 A \* 8/1978 Gonzalez et al. .... 181/227 X

**1 Claim, 1 Drawing Sheet**

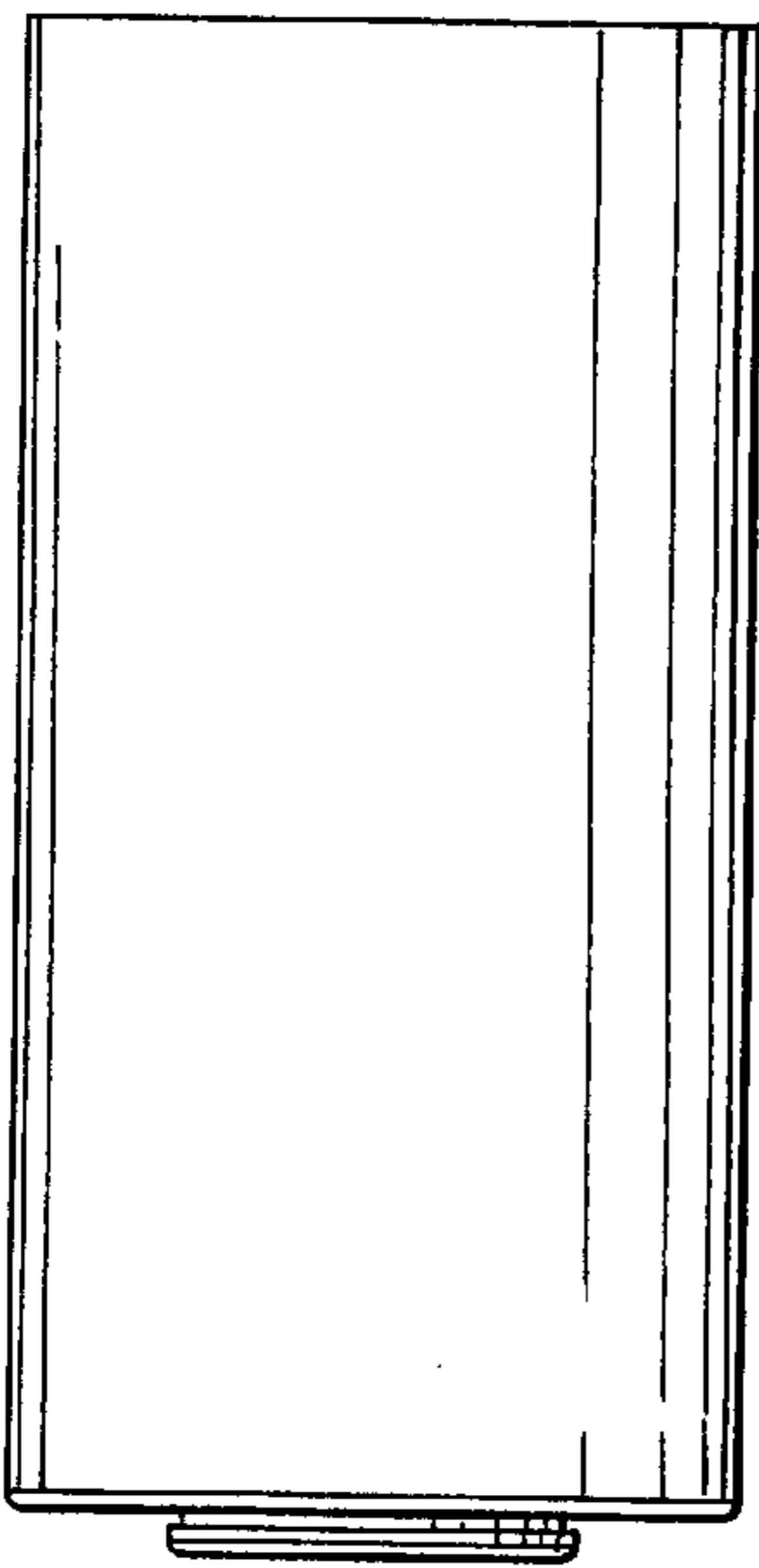




*Fig. 1*



*Fig. 2*



*Fig. 3*