



US00D480029S

(12) **United States Design Patent**
Kraus

(10) **Patent No.:** **US D480,029 S**

(45) **Date of Patent:** **** Sep. 30, 2003**

(54) **DASHBOARD**

(75) **Inventor:** **Ulrich Kraus**, Villingen-Schwenningen
(DE)

(73) **Assignee:** **Siemens Aktiengesellschaft**, München
(DE)

(**) **Term:** **14 Years**

(21) **Appl. No.:** **29/175,046**

(22) **Filed:** **Jan. 28, 2003**

(30) **Foreign Application Priority Data**

Jul. 29, 2002 (DE) 4 02 06 379

(51) **LOC (7) Cl.** **12-16**

(52) **U.S. Cl.** **D12/192**

(58) **Field of Search** D12/192, 114;
180/90; 280/750, 752; 296/70, 190-191

(56) **References Cited**

U.S. PATENT DOCUMENTS

D270,825 S	*	10/1983	Luthe et al.	D12/192
D285,915 S	*	9/1986	Luthe et al.	D12/192
D339,786 S	*	9/1993	Allendorph et al.	D12/192
D397,977 S	*	9/1998	Hellhake et al.	D12/192
D410,608 S	*	6/1999	Kraus	D12/192
D432,474 S	*	10/2000	Sacco et al.	D12/192

D436,069 S	*	1/2001	O'Connell	D12/192
D439,211 S	*	3/2001	Pfeiffer	D12/192
D439,556 S	*	3/2001	Beigel	D12/192
D440,926 S	*	4/2001	Pfeiffer	D12/192
D455,691 S	*	4/2002	Okonkwo	D12/192
D469,391 S	*	1/2003	Pfeiffer et al.	D12/192
D470,091 S	*	2/2003	Kraus et al.	D12/192

* cited by examiner

Primary Examiner—Stacia Cadmus

(74) *Attorney, Agent, or Firm*—Cohen, Pontani, Lieberman & Pavane

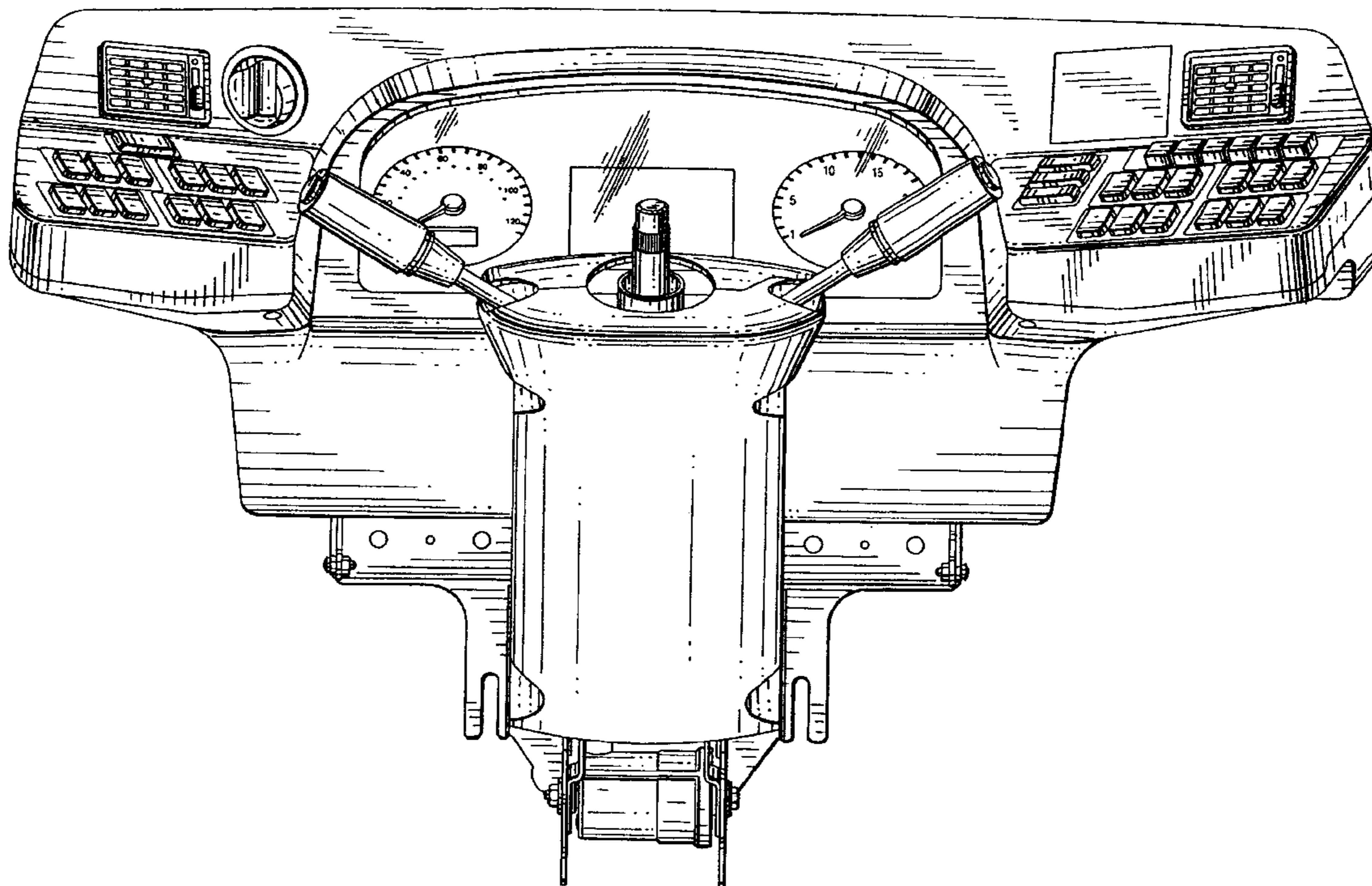
(57) **CLAIM**

The ornamental design for a dashboard, as shown and described.

DESCRIPTION

FIG. 1 is a perspective view of a dashboard from a position below and in front of the dashboard;
FIG. 2 is a perspective view of the dashboard from a position above and in front of the dashboard;
FIG. 3 is a side view of a left side of the dashboard from the left side of FIG. 1; and,
FIG. 4 is a side view of a right side of the dashboard from the right side in FIG. 1.
Portions of the dashboard which are not shown in the drawings are disclaimed.

1 Claim, 4 Drawing Sheets



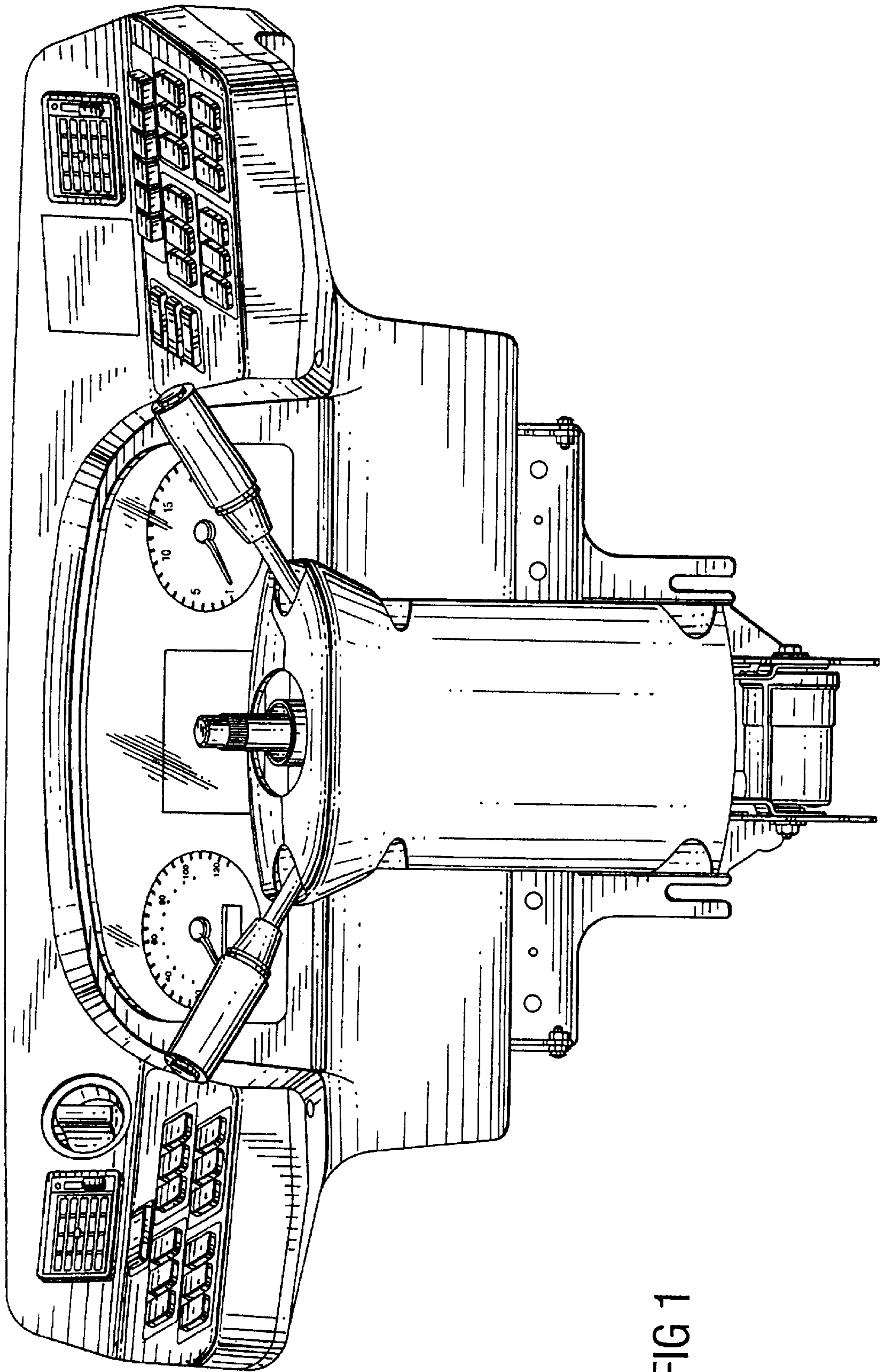


FIG 1

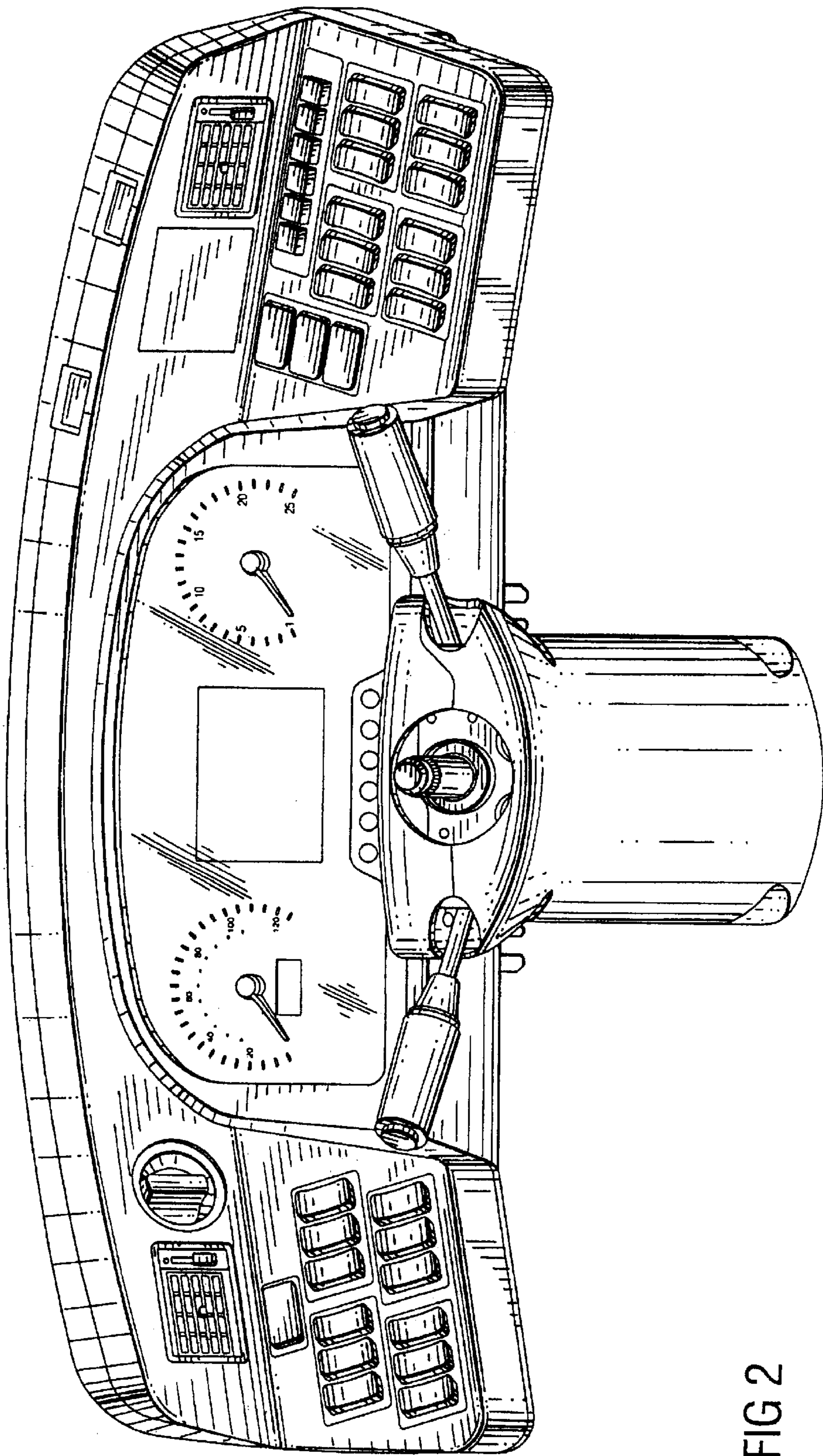


FIG 2

FIG 3

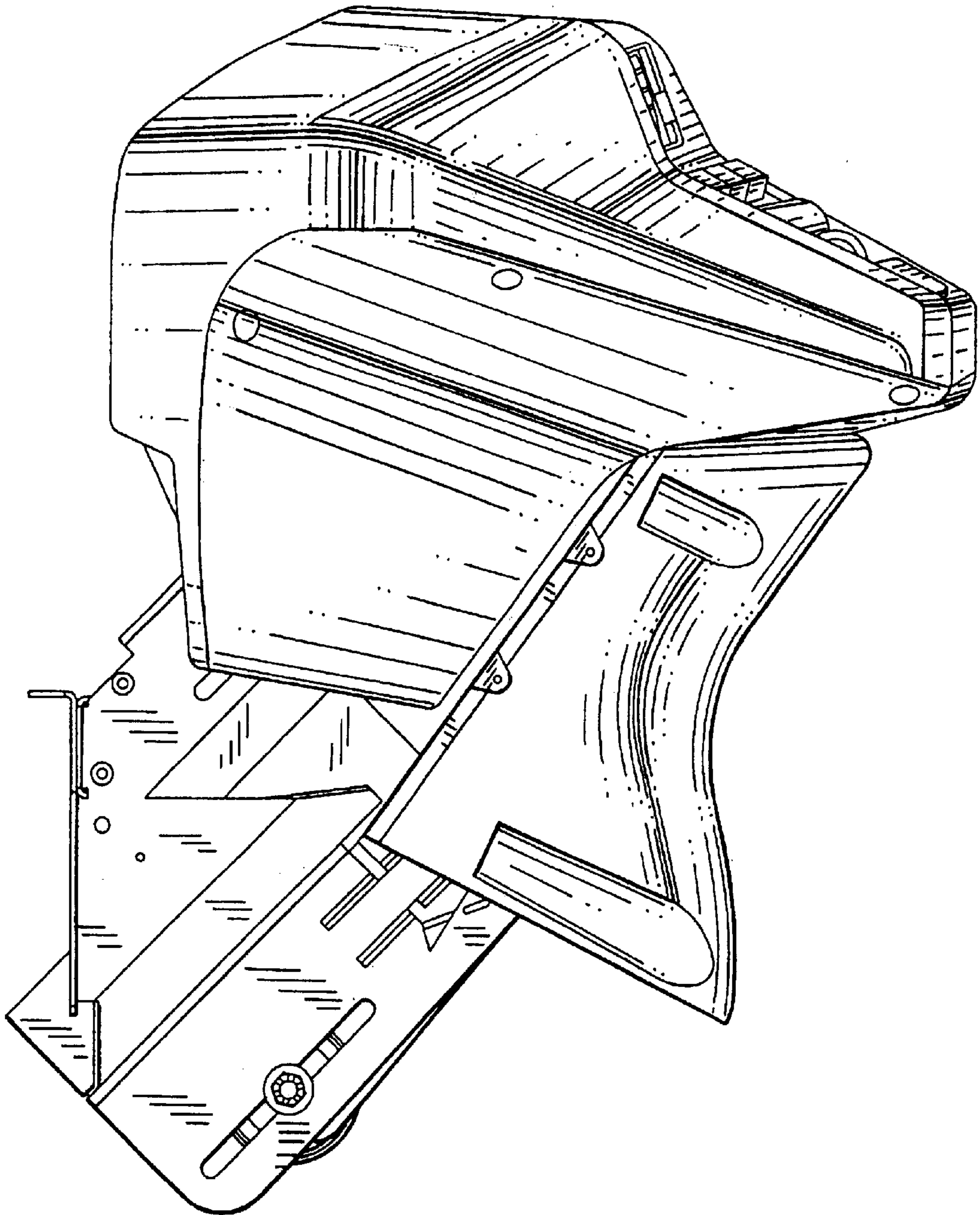


FIG 4

