



US00D480027S

(12) **United States Design Patent**  
**Collier et al.**

(10) **Patent No.: US D480,027 S**

(45) **Date of Patent: \*\* Sep. 30, 2003**

(54) **COMBINED PICKUP BUMPER AND TRAILER HITCH**

(76) Inventors: **Daniel C. Collier**, P.O. Box 595, Vernal, UT (US) 84078; **Phyllis C. Collier**, P.O. Box 595, Vernal, UT (US) 84078

(\*\*) Term: **14 Years**

(21) Appl. No.: **29/174,486**

(22) Filed: **Jan. 21, 2003**

(51) **LOC (7) Cl.** ..... **12-16**

(52) **U.S. Cl.** ..... **D12/169**

(58) **Field of Search** ..... D12/169, 162, D12/93, 98; 293/102, 113, 115, 117, 120, 143

(56) **References Cited**

**U.S. PATENT DOCUMENTS**

3,746,383 A	7/1973	Davis
D260,683 S	9/1981	Kokoska
4,570,986 A	2/1986	Sams
D294,138 S	2/1988	Heyman
5,176,596 A	1/1993	Ullman
5,518,084 A	5/1996	Short et al.
5,618,073 A	4/1997	Criscione

D409,961 S	*	5/1999	Marsceau et al. ....	D12/169
5,904,386 A		5/1999	Buchman	
D413,559 S	*	9/1999	Tayar .....	D12/169
D420,634 S	*	2/2000	Nelson .....	D12/169
D460,391 S	*	7/2002	Lew et al. ....	D12/169
D486,674	*	1/2003	Faster et al. ....	D12/196

\* cited by examiner

*Primary Examiner*—Melody N. Brown

(74) *Attorney, Agent, or Firm*—Donald R. Schoonover

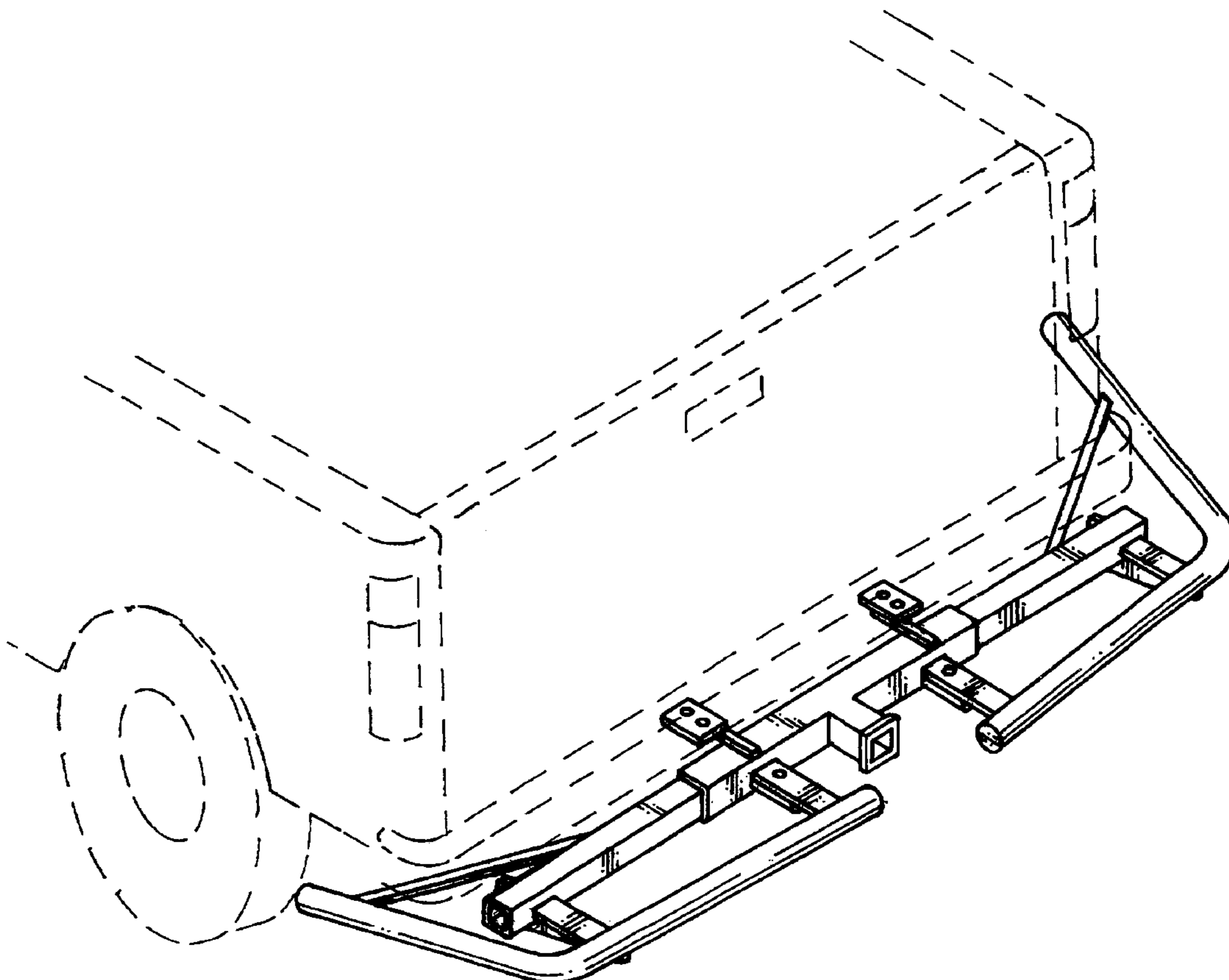
(57) **CLAIM**

The ornamental design for a combined pickup bumper and trailer hitch, as shown and described.

**DESCRIPTION**

FIG. 1 is a perspective view of a combined pickup backup bumper and trailer hitch showing our new design; FIG. 2 is a front elevational view thereof; FIG. 3 is a rear elevational view thereof; FIG. 4 is a left side elevational view thereof, the right side elevational view being a mirror image thereof; FIG. 5 is a top plan view thereof; and, FIG. 6 is a bottom plan view thereof. The portions of the vehicle shown in broken lines in FIG. 1 are for illustrative purposes only and form no part of the claimed design.

**1 Claim, 3 Drawing Sheets**



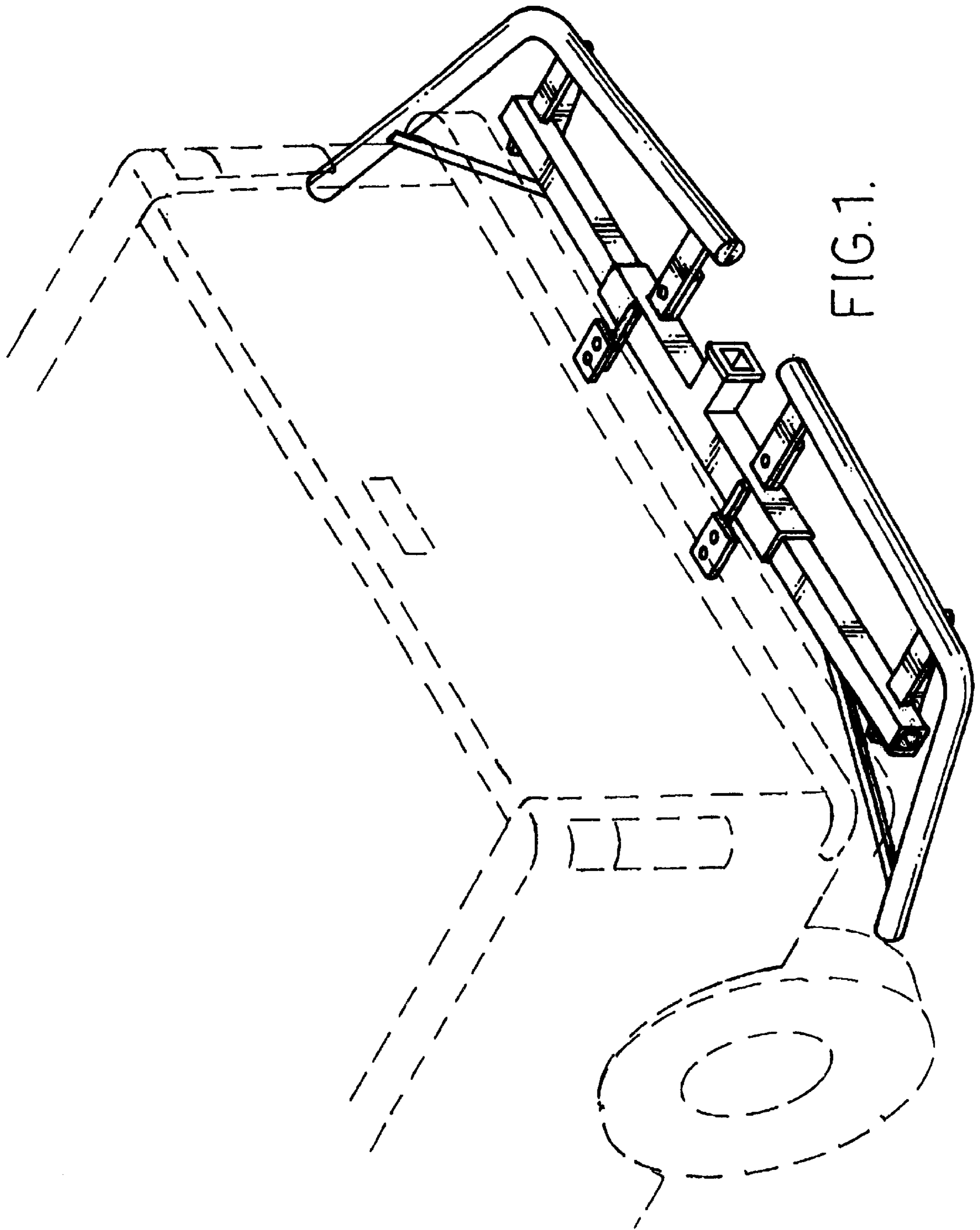




FIG. 2.

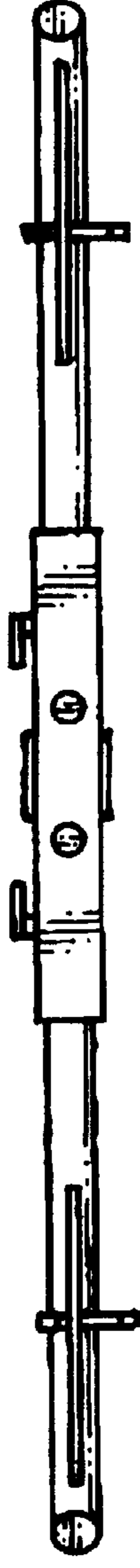


FIG. 3.

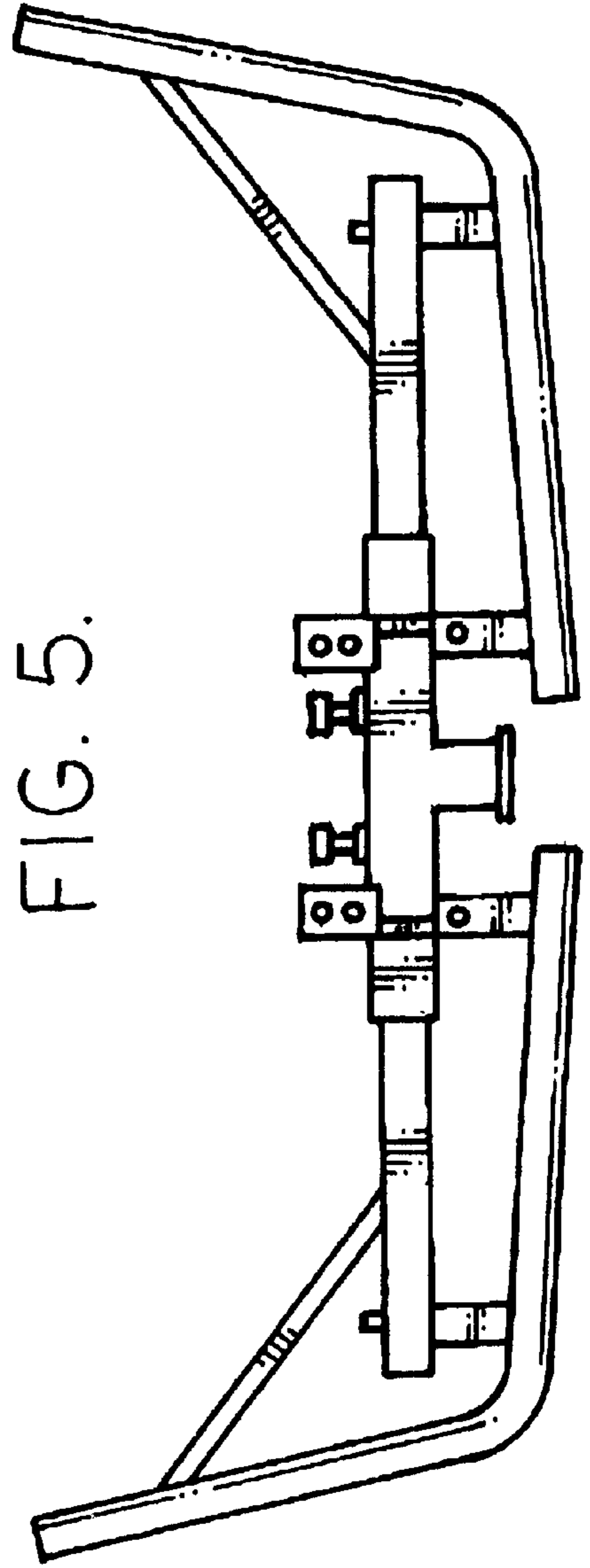


FIG. 5.

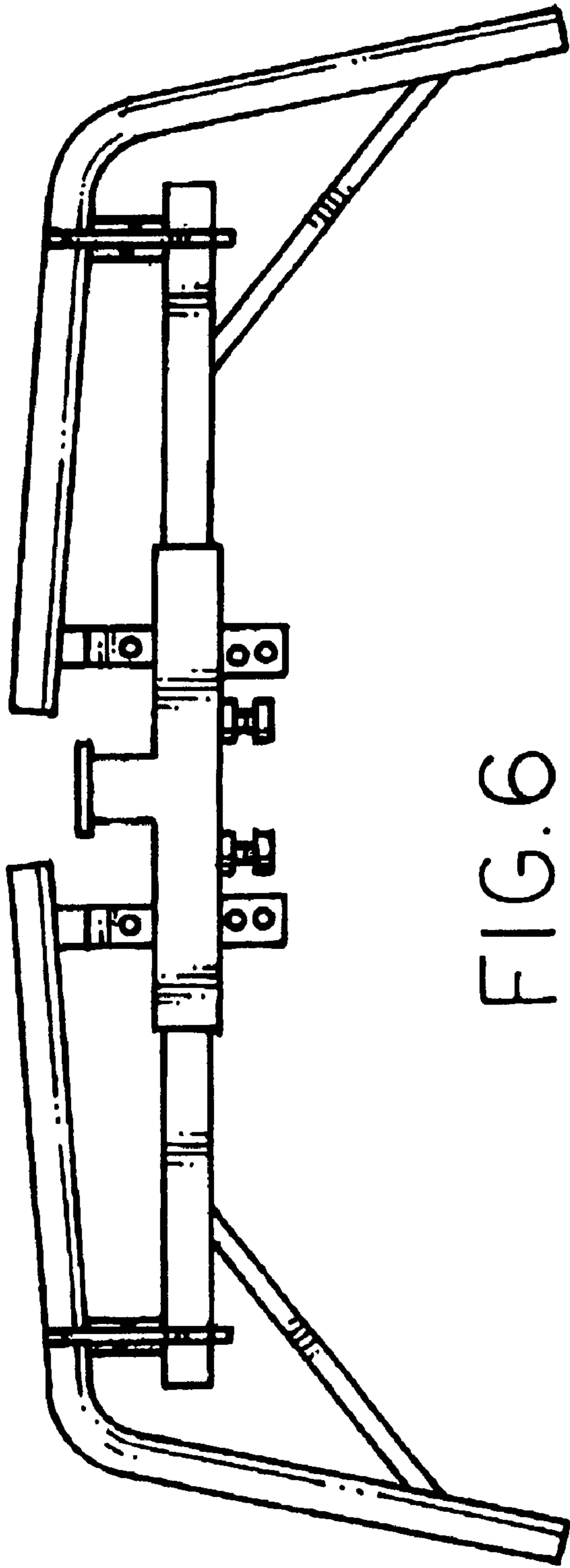


FIG. 6

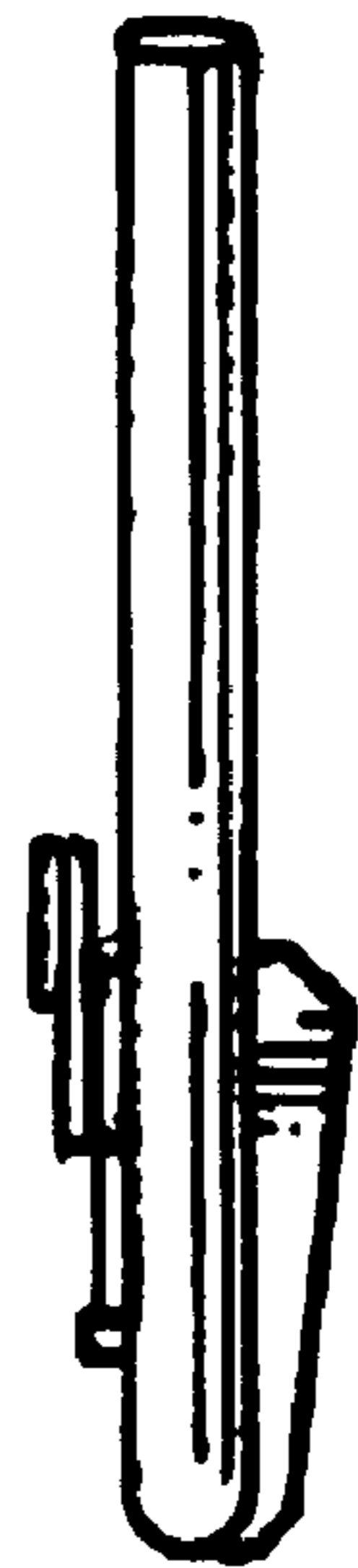


FIG. 4.