



US00D480022S

(12) **United States Design Patent**
Higginson

(10) **Patent No.:** **US D480,022 S**

(45) **Date of Patent:** **** Sep. 30, 2003**

(54) **WALK-THROUGH TRAILER UNIT**

D322,235 S * 12/1991 Bell D12/101
5,267,746 A * 12/1993 Stevenson 280/414.2

(76) Inventor: **Robert H. Higginson**, 4515-A O'Hara
Dr., Evansville, IN (US) 47711

* cited by examiner

(**) Term: **14 Years**

Primary Examiner—Melody N. Brown
(74) *Attorney, Agent, or Firm*—Gary K. Price, Esq.

(21) Appl. No.: **29/166,430**

(57) **CLAIM**

(22) Filed: **Aug. 28, 2002**

The ornamental design for a walk-through trailer unit, as shown and described.

(51) **LOC (7) Cl.** **12-10**

(52) **U.S. Cl.** **D12/101**

(58) **Field of Search** D12/101; 280/63,
280/556, 414.1-414.5; 414/344, 270

DESCRIPTION

(56) **References Cited**

FIG. 1 is a top view of a walk-through trailer unit showing my new design;
FIG. 2 is a side view thereof; and,
FIG. 3 is a rear elevational view thereof.

U.S. PATENT DOCUMENTS

D316,688 S * 5/1991 Barginear D12/101

1 Claim, 3 Drawing Sheets

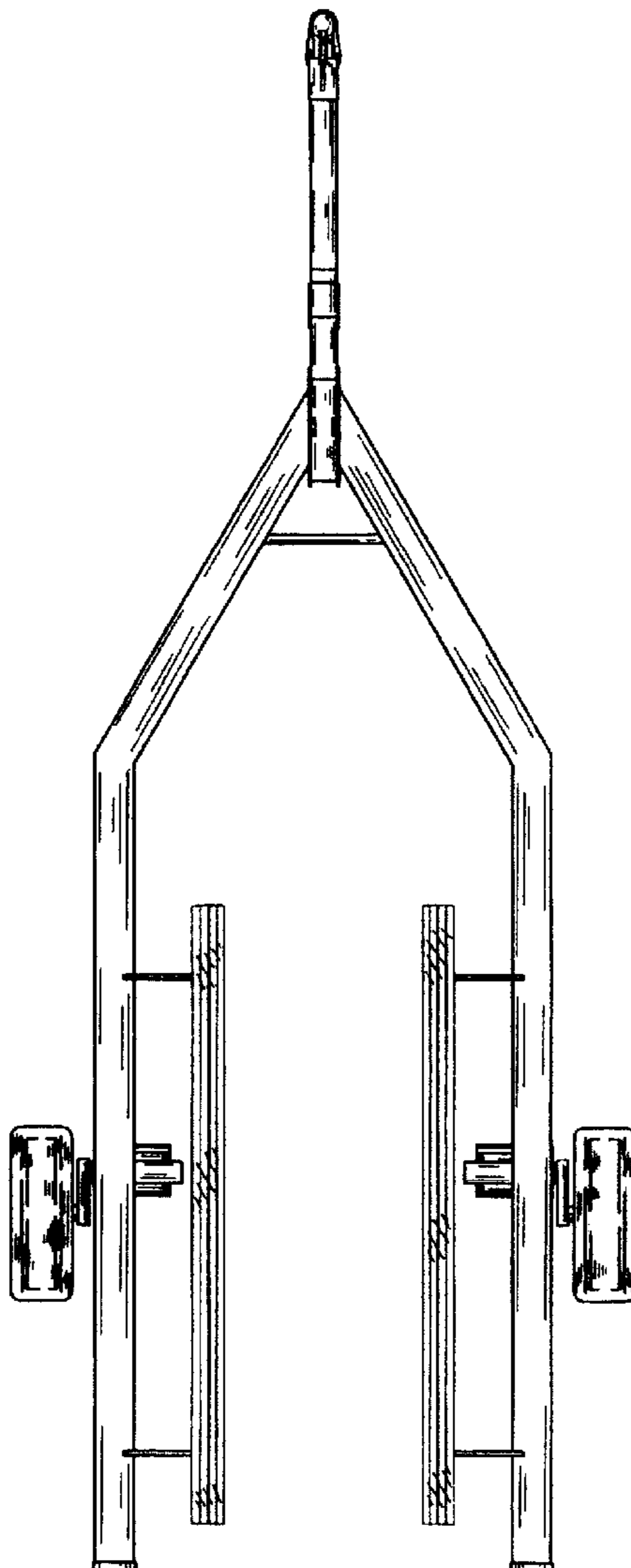


Fig. 1

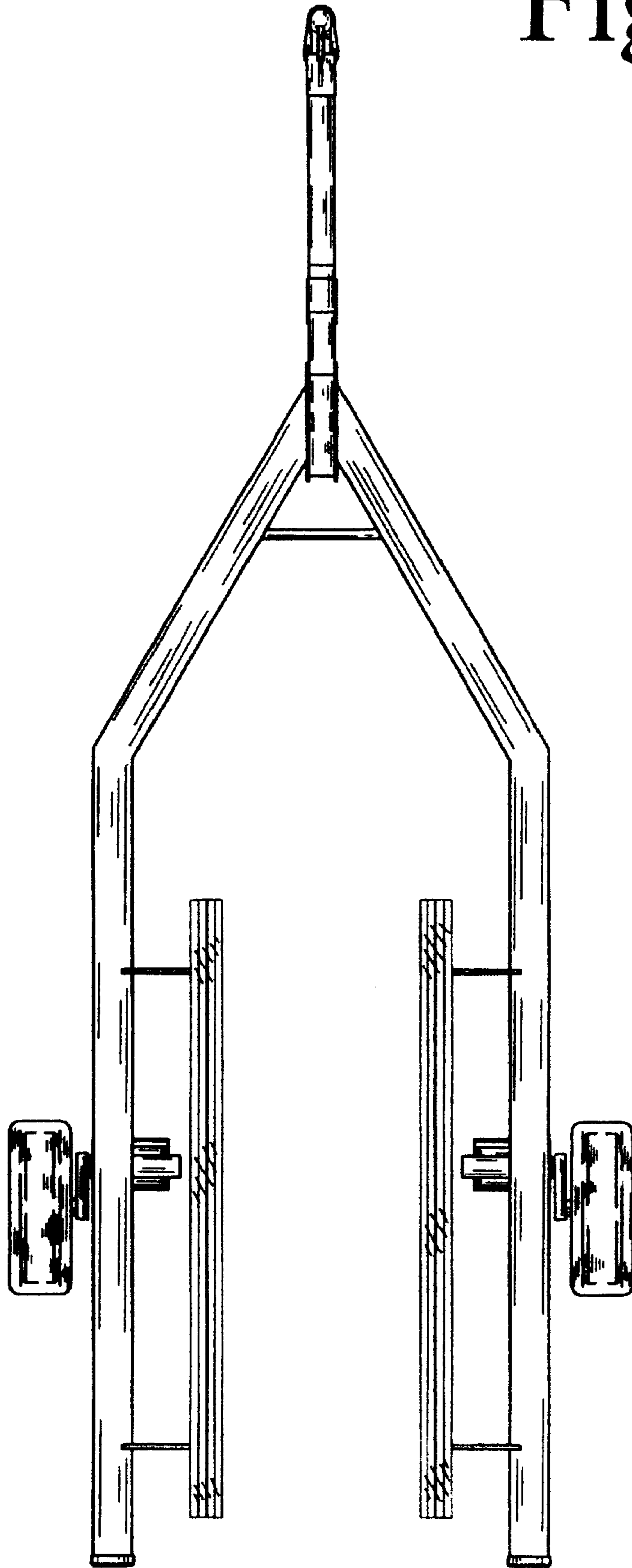


Fig. 2

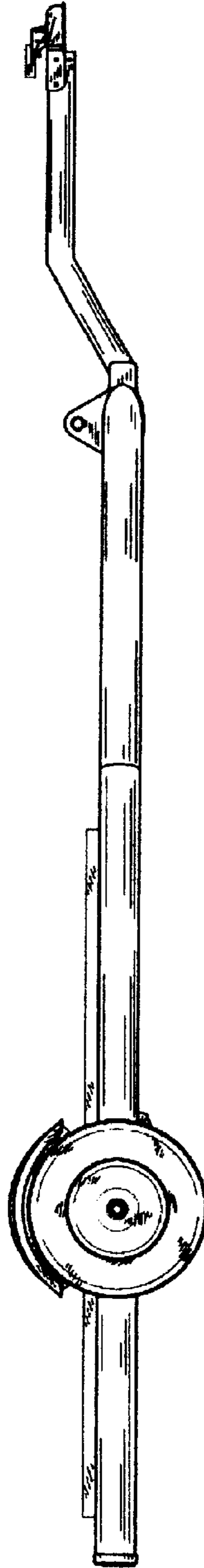


FIG. 3

