



US00D480020S

(12) **United States Design Patent**
Crepeau et al.

(10) **Patent No.:** **US D480,020 S**

(45) **Date of Patent:** **** Sep. 30, 2003**

(54) **QUICK RELEASE SNOWMOBILE SEAT**

(75) Inventors: **Jean-Philippe Crepeau**, Bromont (CA); **Eric Bertrand**, Sherbrooke (CA)

(73) Assignee: **Bombardier Inc.**, Valcourt (CA)

(**) Term: **14 Years**

(21) Appl. No.: **29/175,381**

(22) Filed: **Feb. 5, 2003**

Related U.S. Application Data

(62) Division of application No. 29/159,352, filed on Apr. 22, 2002.

(51) **LOC (7) Cl.** **12-14**

(52) **U.S. Cl.** **D12/7**

(58) **Field of Search** D12/7; D21/760, D21/766, 767; 280/22, 21.1, 600, 602, 607, 609, 805, 28, 13, 16, 18; 180/184, 186, 219, 189, 190, 196, 182, 180-181; 297/195.1, 195.13, 452.48, 452.61, 452.6, DIG. 1, DIG. 2, DIG. 6

(56) **References Cited**

U.S. PATENT DOCUMENTS

4,779,695 A * 10/1988 Yasui 180/190
5,944,380 A * 8/1999 Atherley 297/195.1

6,264,084 B1 * 7/2001 Hayes 224/408
6,371,233 B2 * 4/2002 Ishii 180/182
6,386,630 B1 * 5/2002 Atherley 297/195.11
6,450,301 B1 * 9/2002 Iizuka et al. 188/26

OTHER PUBLICATIONS

SKI-DOO Parts Cat.2000 (MXZ800) Items 1-4—a snowmobile seat.*

* cited by examiner

Primary Examiner—Nelson C. Holtje

(74) *Attorney, Agent, or Firm*—Pillsbury Winthrop LLP

(57) **CLAIM**

The ornamental design for a quick release snowmobile seat, as shown and described.

DESCRIPTION

FIG. 1 is a perspective illustration, from the front and right side, of the quick release snowmobile seat of our design; FIG. 2 is a left side view thereof, the right side being a mirror image;

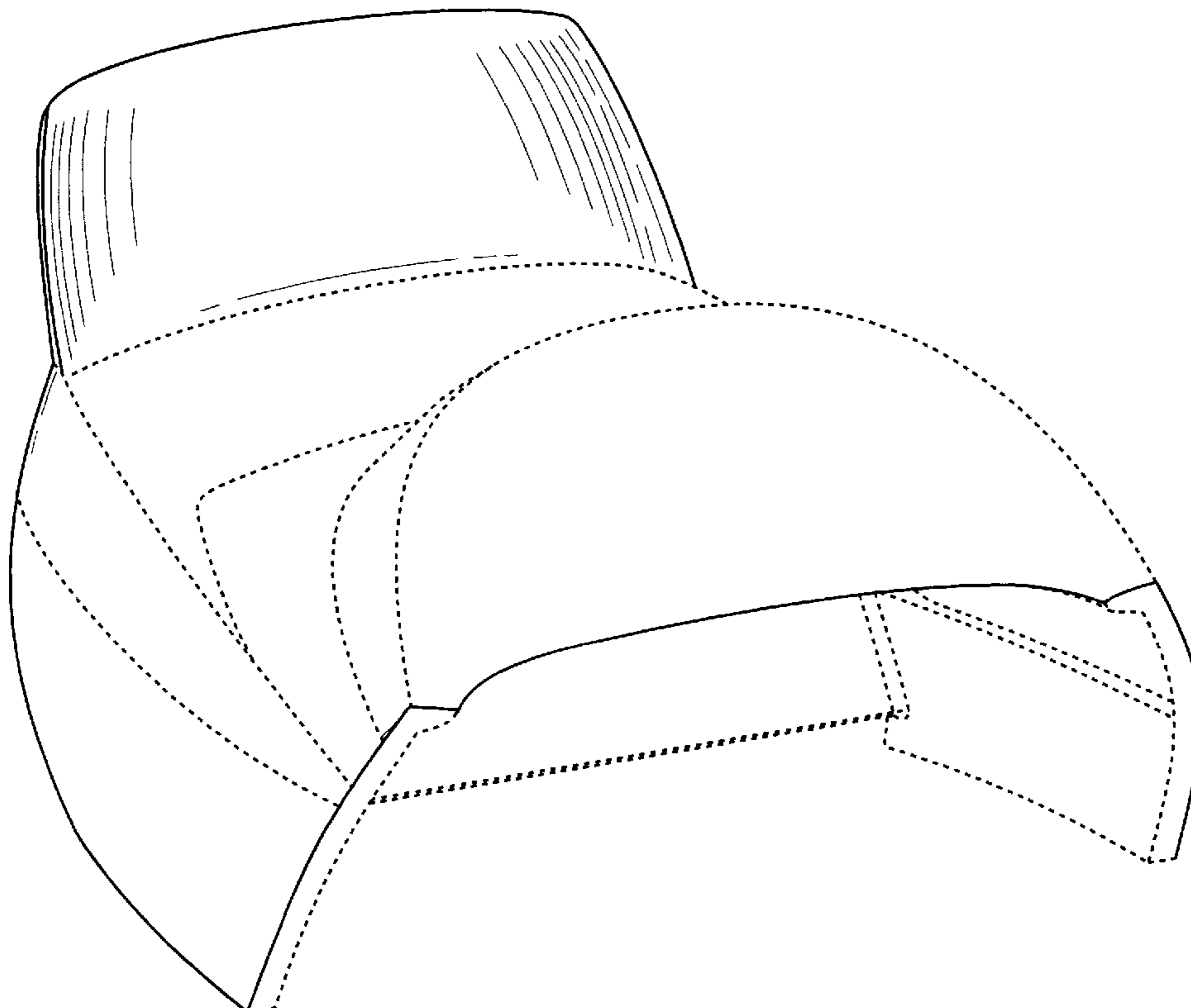
FIG. 3 is a front view thereof;

FIG. 4 is a rear view thereof; and,

FIG. 5 is a top view thereof;

The broken line showing of the interior of the seat is for illustrative purposes only and forms no part of the claimed design.

1 Claim, 5 Drawing Sheets



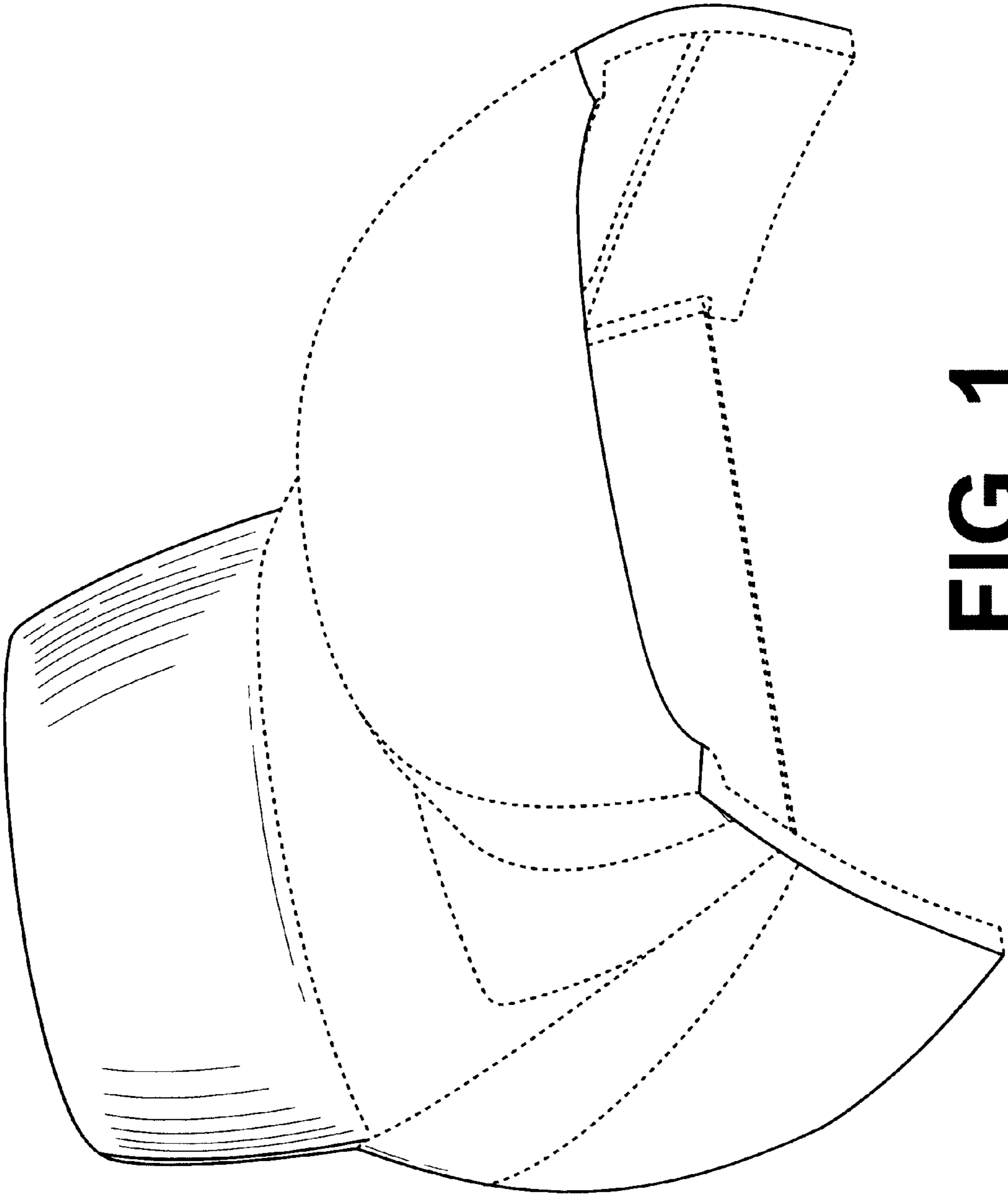


FIG. 1

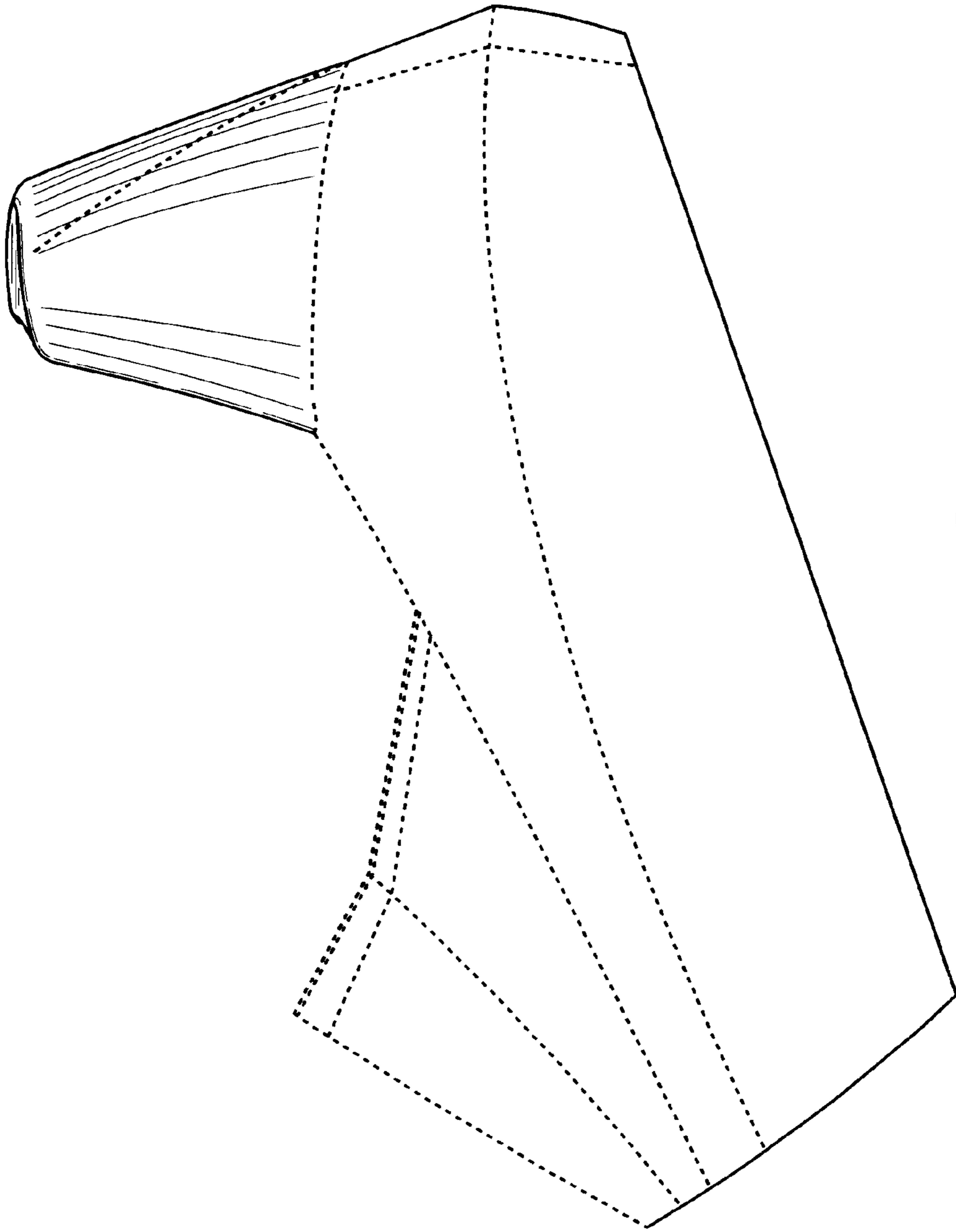


FIG. 2

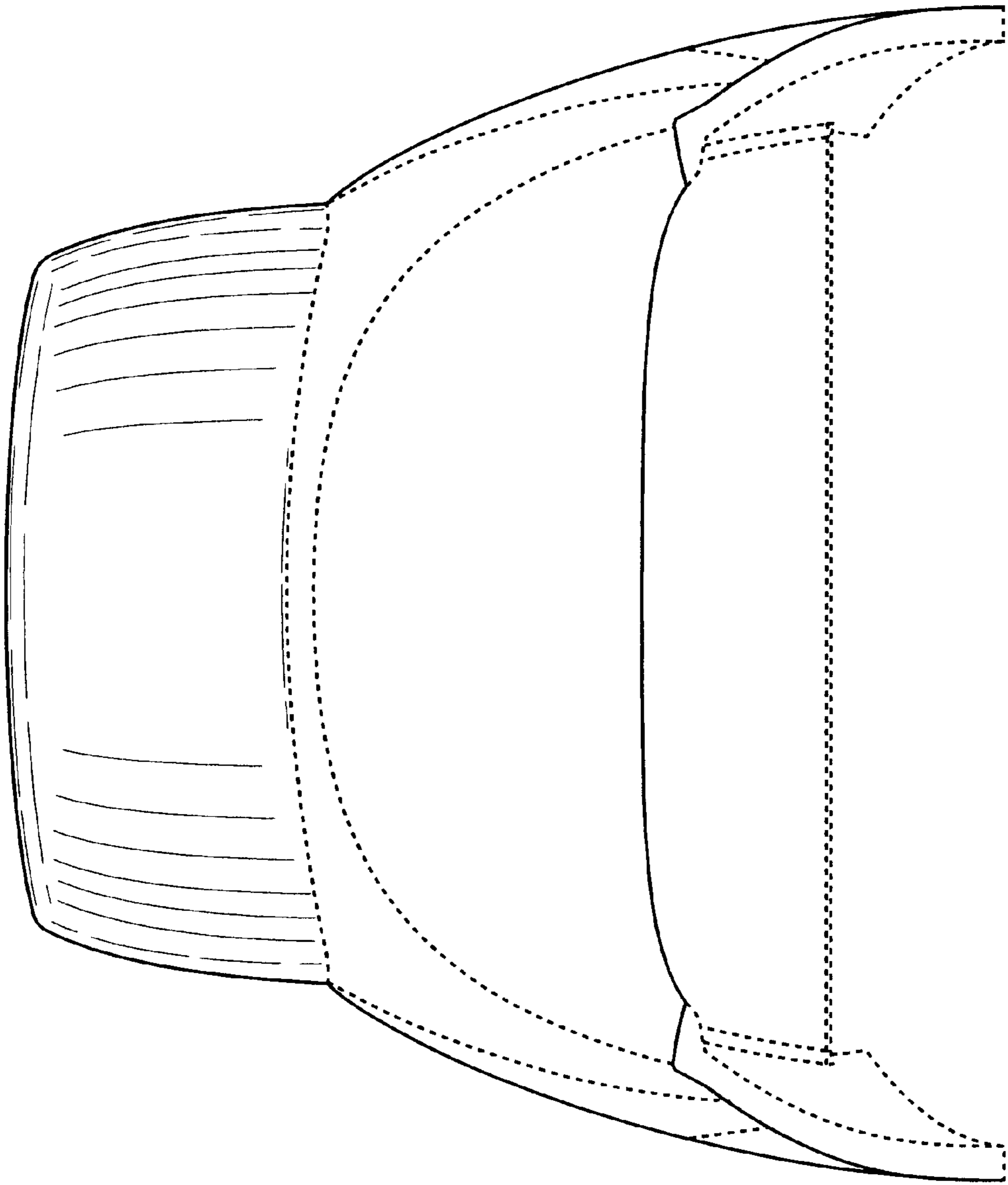


FIG. 3

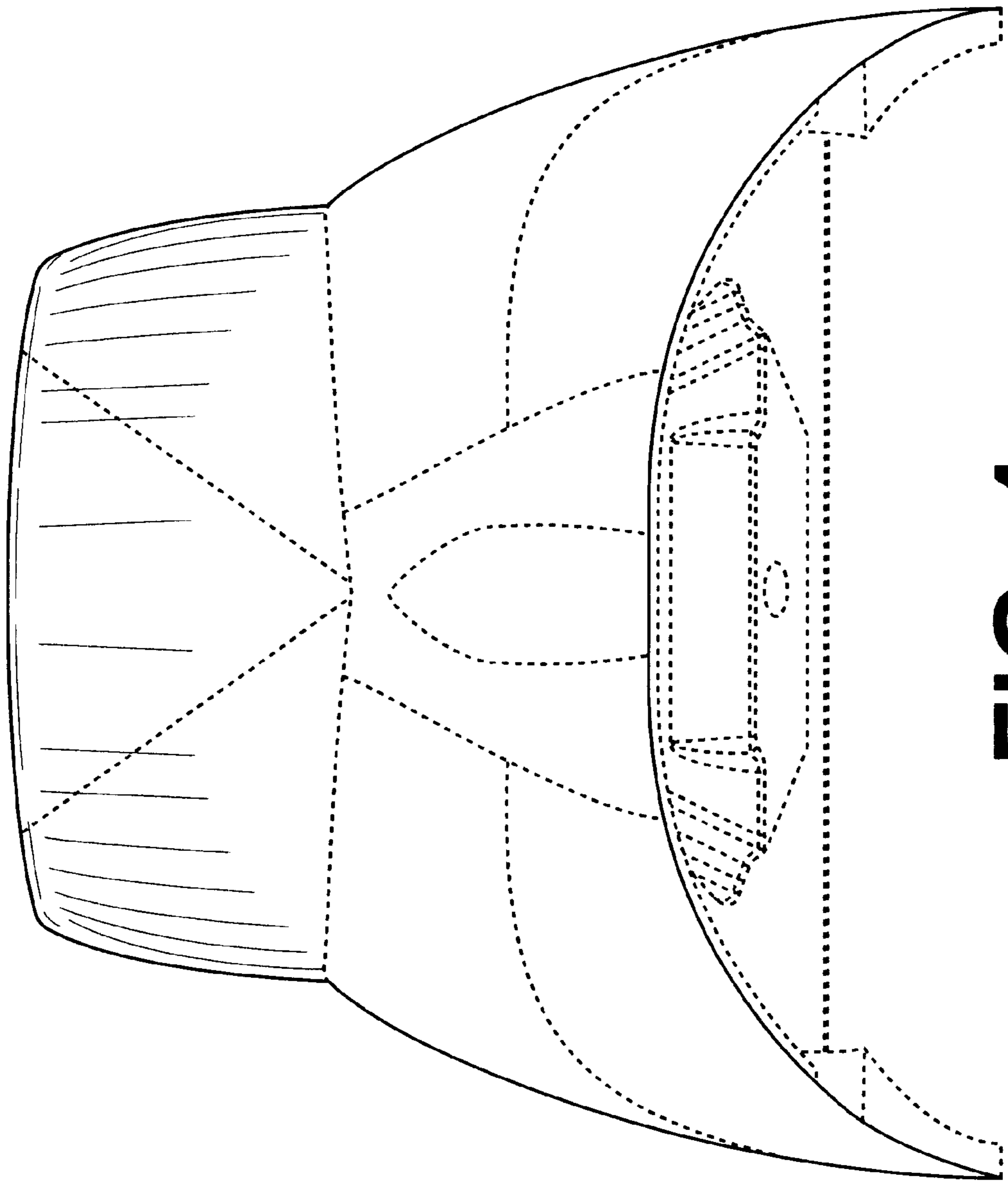


FIG. 4

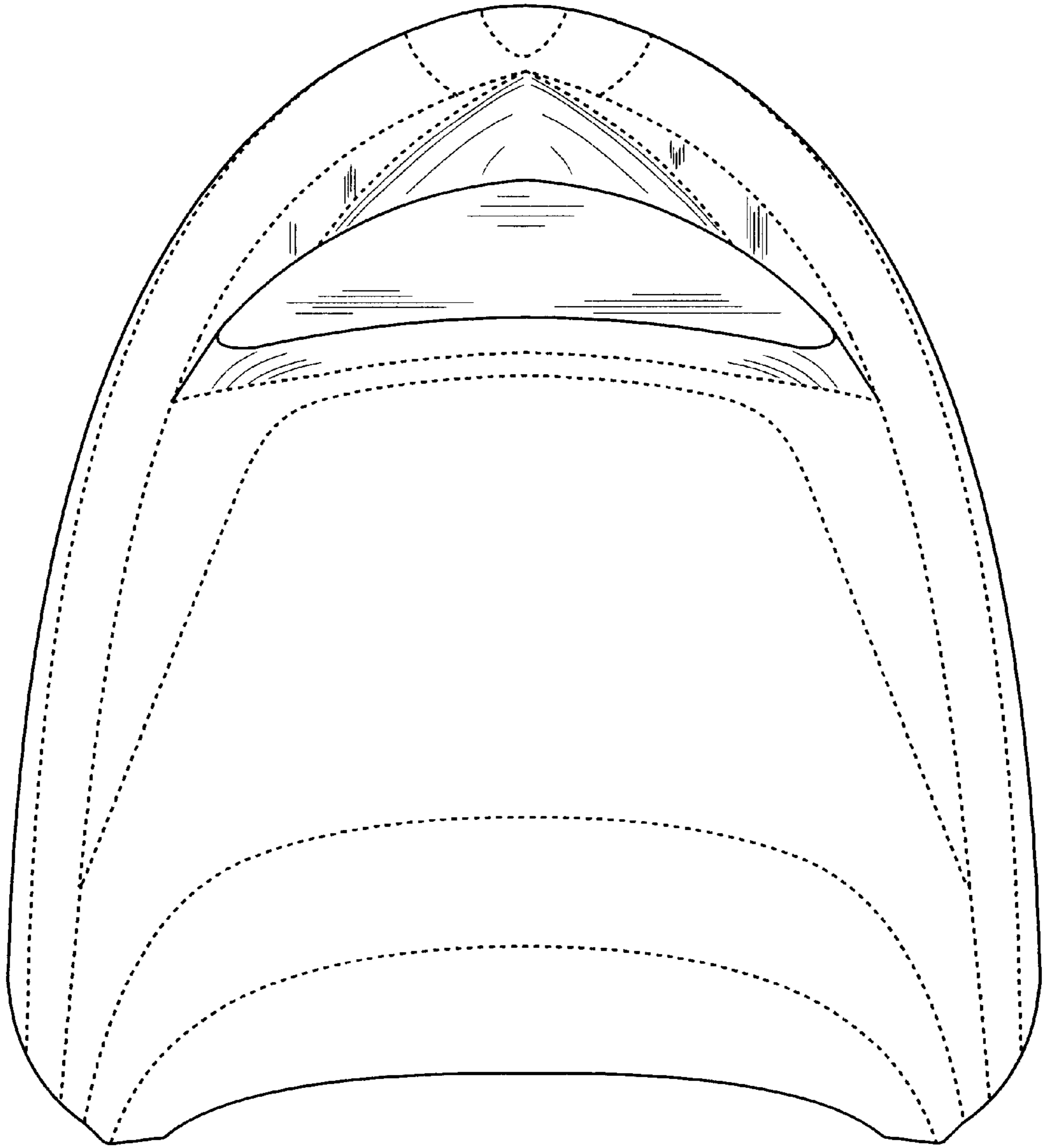


FIG. 5