



US00D480009S

(12) **United States Design Patent**
Houlihan

(10) **Patent No.:** **US D480,009 S**

(45) **Date of Patent:** **** Sep. 30, 2003**

(54) **WATCH CASING**

(75) **Inventor:** **John T. Houlihan**, Groton Long Point,
CT (US)

(73) **Assignee:** **Timex Group B.V. (NL)**

(**) **Term:** **14 Years**

(21) **Appl. No.:** **29/163,154**

(22) **Filed:** **Jun. 27, 2002**

(51) **LOC (7) Cl.** **10-02**

(52) **U.S. Cl.** **D10/30**

(58) **Field of Search** D10/30-39, 122-132;
368/82-84, 239-242, 280-282, 276, 277,
10-11

(56) **References Cited**

U.S. PATENT DOCUMENTS

- D377,314 S * 1/1997 Moriai et al. D10/38
- D386,694 S 11/1997 Houlihan
- D407,025 S * 3/1999 Hanagata D10/30
- D407,027 S * 3/1999 Kubo et al. D10/30

- D407,329 S * 3/1999 Kawashima et al. D10/30
- D416,812 S 11/1999 Houlihan et al.
- D472,477 S * 4/2003 Sun D10/30
- D472,820 S * 4/2003 Ditullo et al. D10/30

* cited by examiner

Primary Examiner—Nelson C. Holtje

(74) *Attorney, Agent, or Firm*—Carmody & Torrance LLP

(57) **CLAIM**

The ornamental design for a watch casing, as shown and described.

DESCRIPTION

FIG. 1 is a top plan view of a watch casing showing my new design;

FIG. 2 is a right side elevational view thereof;

FIG. 3 is a left side elevational view thereof;

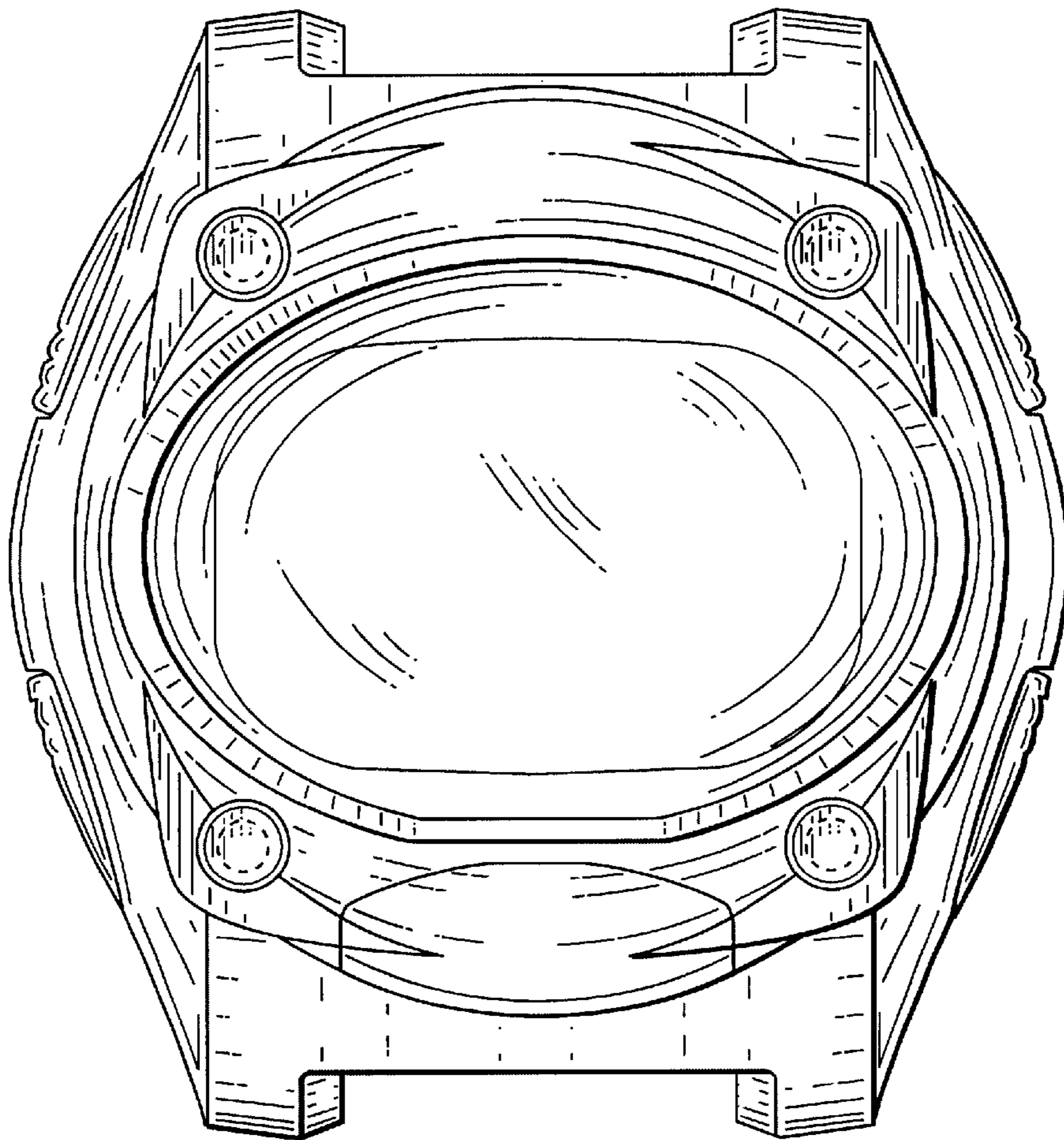
FIG. 4 is a first end elevational view thereof;

FIG. 5 is a second end elevational view thereof; and,

FIG. 6 is a bottom plan view.

The broken-line showings are environmental only and form no part of the claimed design.

1 Claim, 5 Drawing Sheets



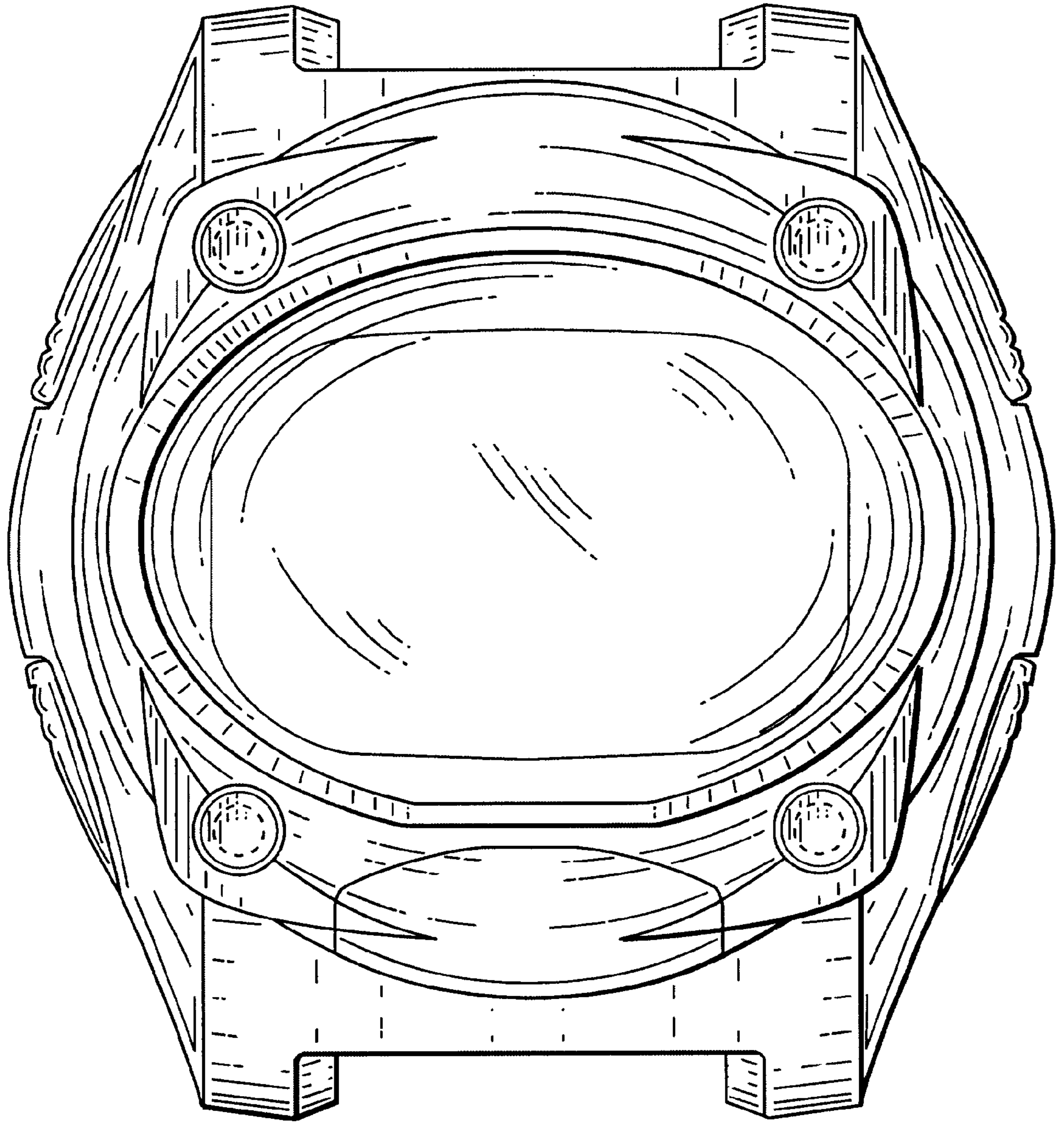


FIG. 1

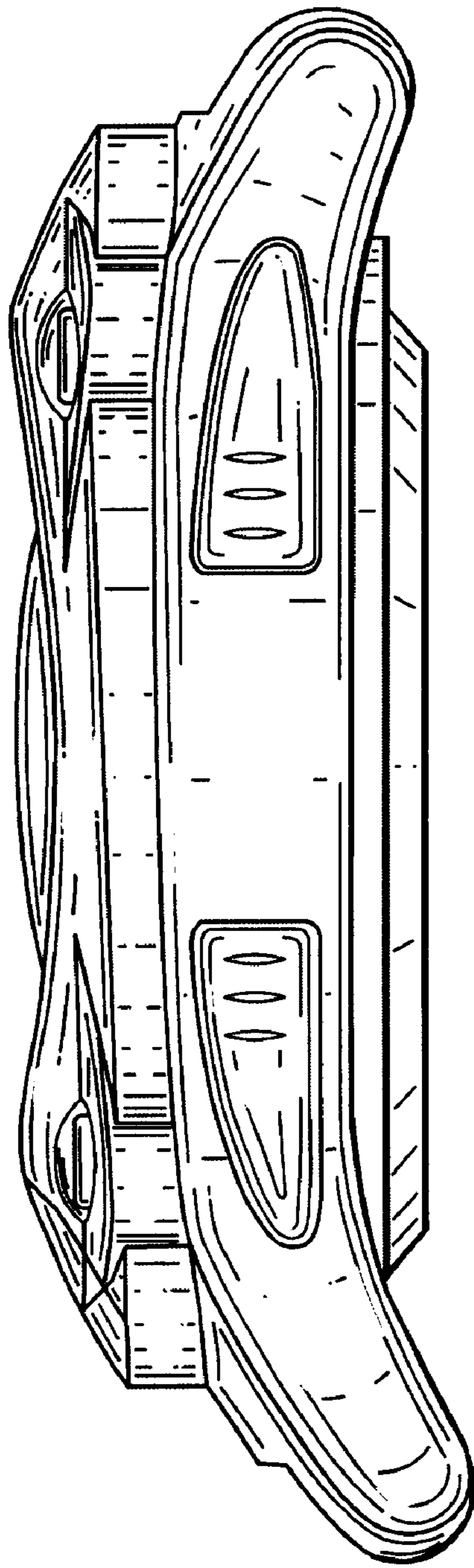


FIG. 2

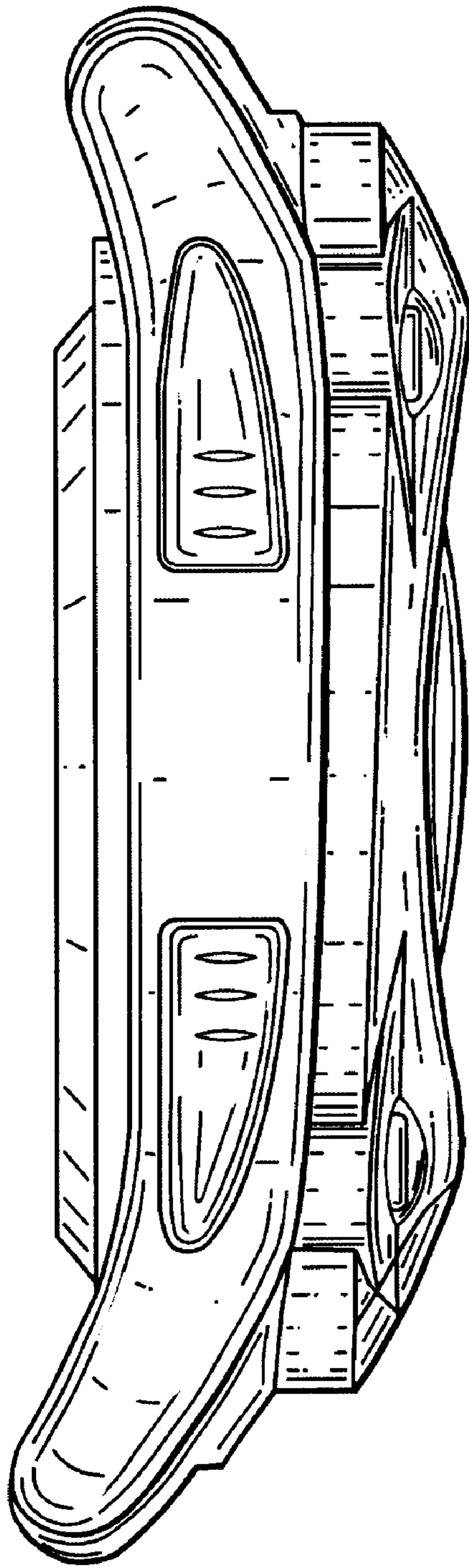


FIG. 3

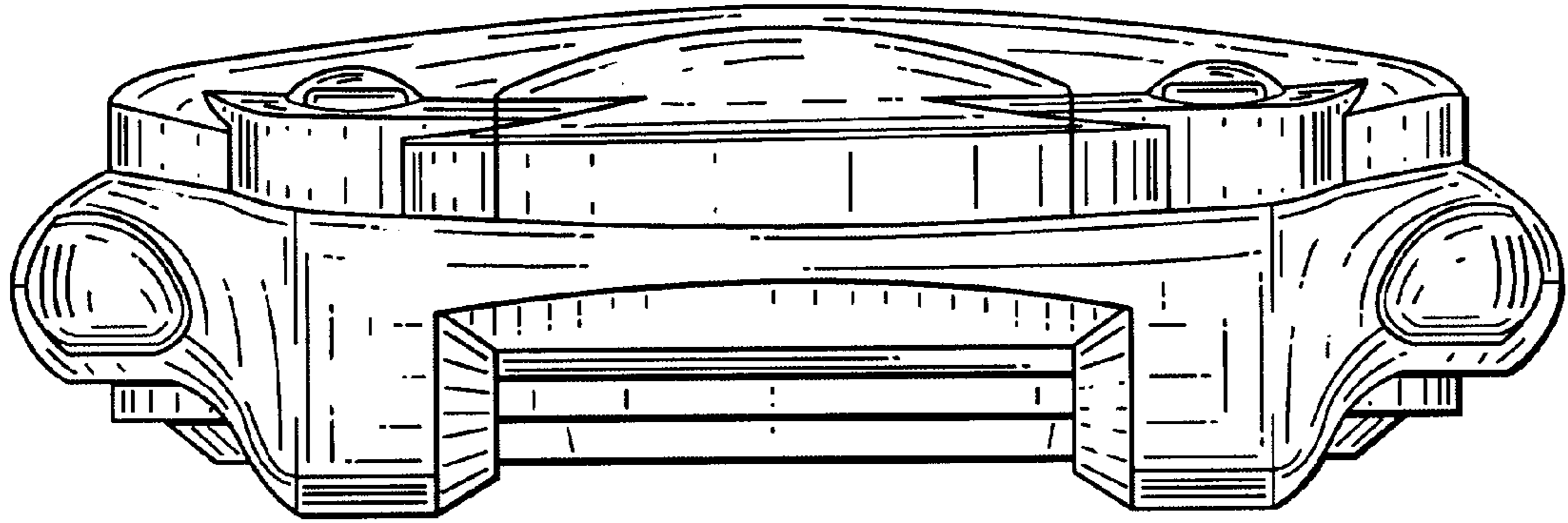


FIG. 4

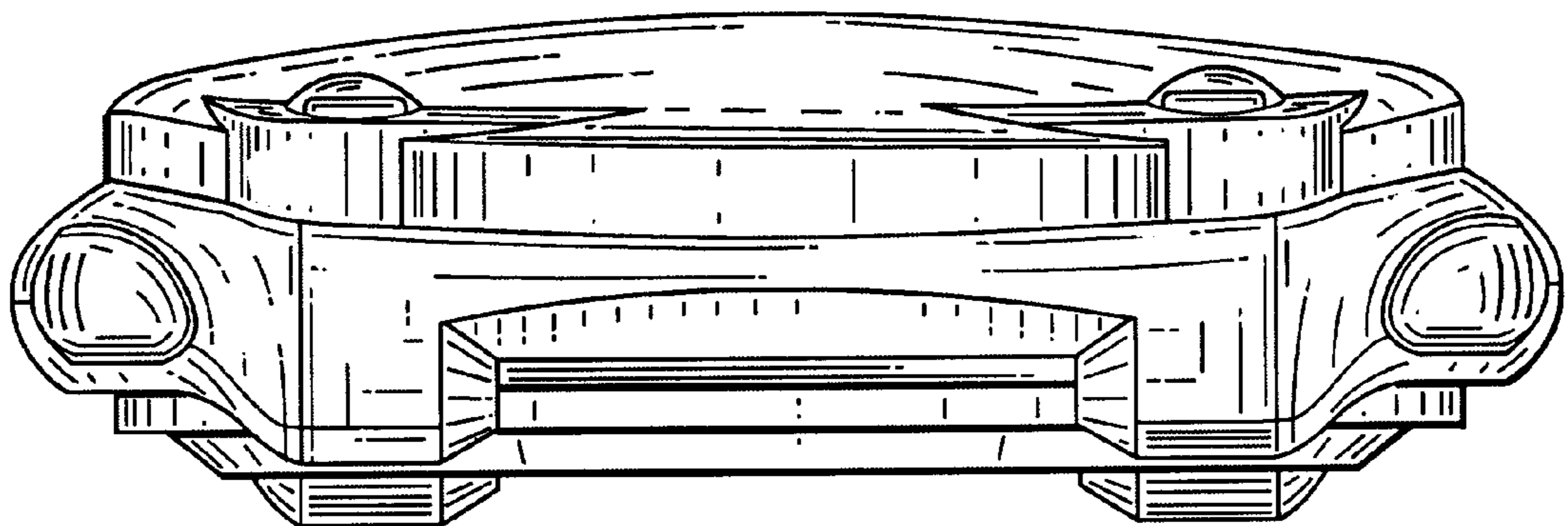


FIG. 5

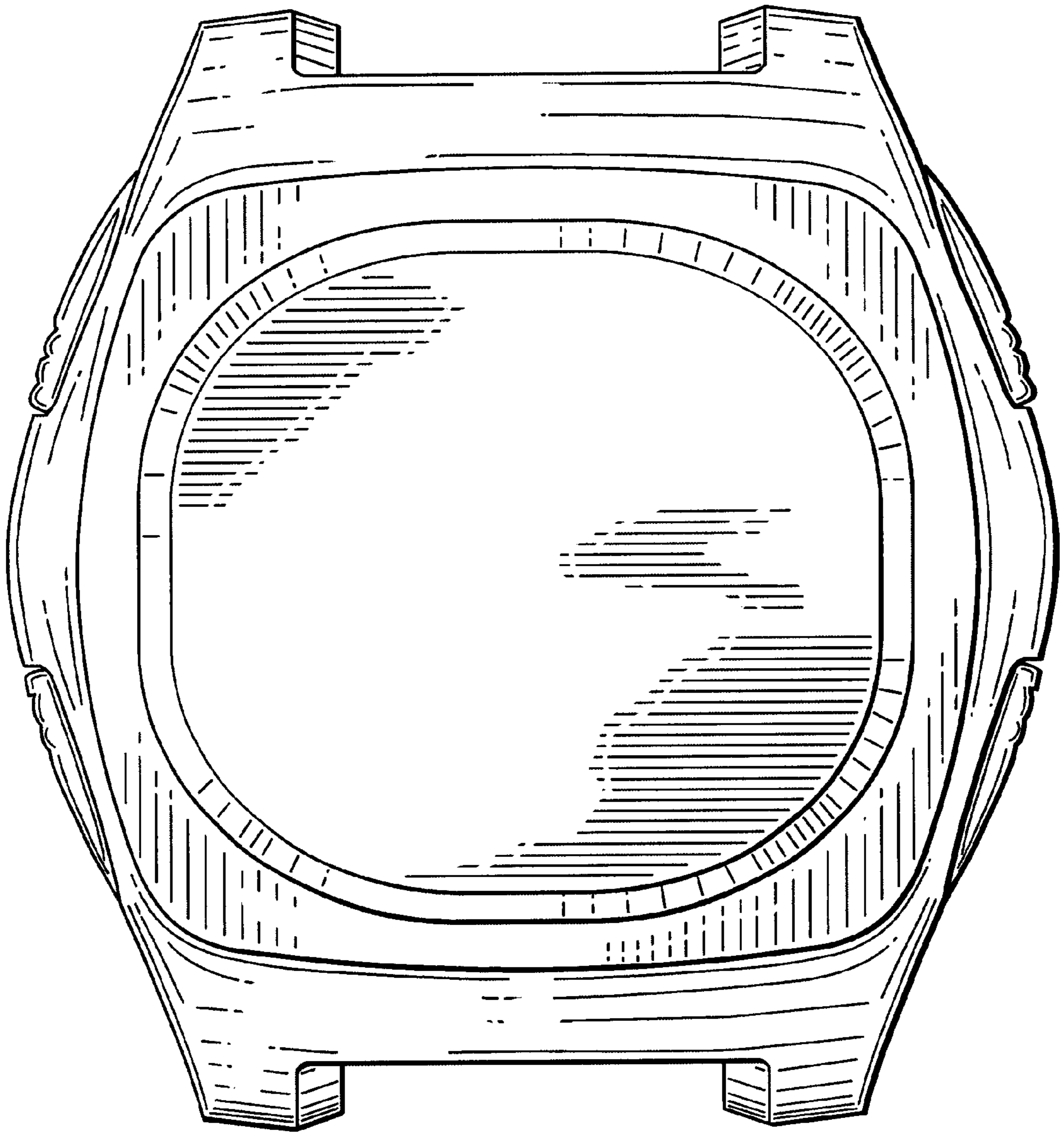


FIG. 6