



US00D480006S

(12) **United States Design Patent**
Zhang et al.

(10) **Patent No.: US D480,006 S**

(45) **Date of Patent: ** Sep. 30, 2003**

(54) **CONTAINER**

(75) Inventors: **Q. Peter Zhang**, Nashua, NH (US);
Stephen R. Guerin, Milford, NH (US)

(73) Assignee: **Continental PET Technologies, Inc.**,
Toledo, OH (US)

(**) Term: **14 Years**

(21) Appl. No.: **29/157,393**

(22) Filed: **Mar. 15, 2002**

Related U.S. Application Data

(62) Division of application No. 09/901,315, filed on Jul. 9, 2001.

(51) **LOC (7) Cl.** **09-01**

(52) **U.S. Cl.** **D9/538**

(58) **Field of Search** D9/307, 434, 500,
D9/502, 503, 506, 520, 529-530, 537-543,
549, 551-552, 557-558, 565, 570, 574-575;
215/6, 10, 381-385, 396, 398, 375; 220/662,
669, 675

(56) **References Cited**

U.S. PATENT DOCUMENTS

D92,518 S	4/1934	Briner	
D209,018 S	10/1967	Holtz	
4,233,022 A	* 11/1980	Brady et al.	215/373 X
D262,267 S	* 12/1981	Cox	D9/543
D277,551 S	2/1985	Kerr	
D294,224 S	* 2/1988	Rogler et al.	D9/500
4,993,565 A	2/1991	Ota et al.	
D320,154 S	* 9/1991	Alberghini et al.	D9/520
5,092,475 A	* 3/1992	Krishnakumar et al.	215/381
5,165,557 A	11/1992	Ota et al.	
D337,520 S	* 7/1993	Krishnakumar et al.	D9/434

5,255,889 A	* 10/1993	Collette et al.	D9/553 X
D344,457 S	2/1994	Prevot et al.	
5,392,937 A	2/1995	Prevot et al.	
D357,188 S	* 4/1995	Stockwell et al.	D9/543
D378,274 S	* 3/1997	Beaver	D9/530
D387,672 S	12/1997	Biesecker	
D393,802 S	* 4/1998	Collette et al.	D9/502
D402,896 S	12/1998	Conrad	
D419,882 S	* 2/2000	Bretz et al.	D9/520
D421,721 S	* 3/2000	Guertin	D9/520
D432,920 S	10/2000	Johnson et al.	

* cited by examiner

Primary Examiner—Ted Shooman

Assistant Examiner—Carol Rademaker

(57) **CLAIM**

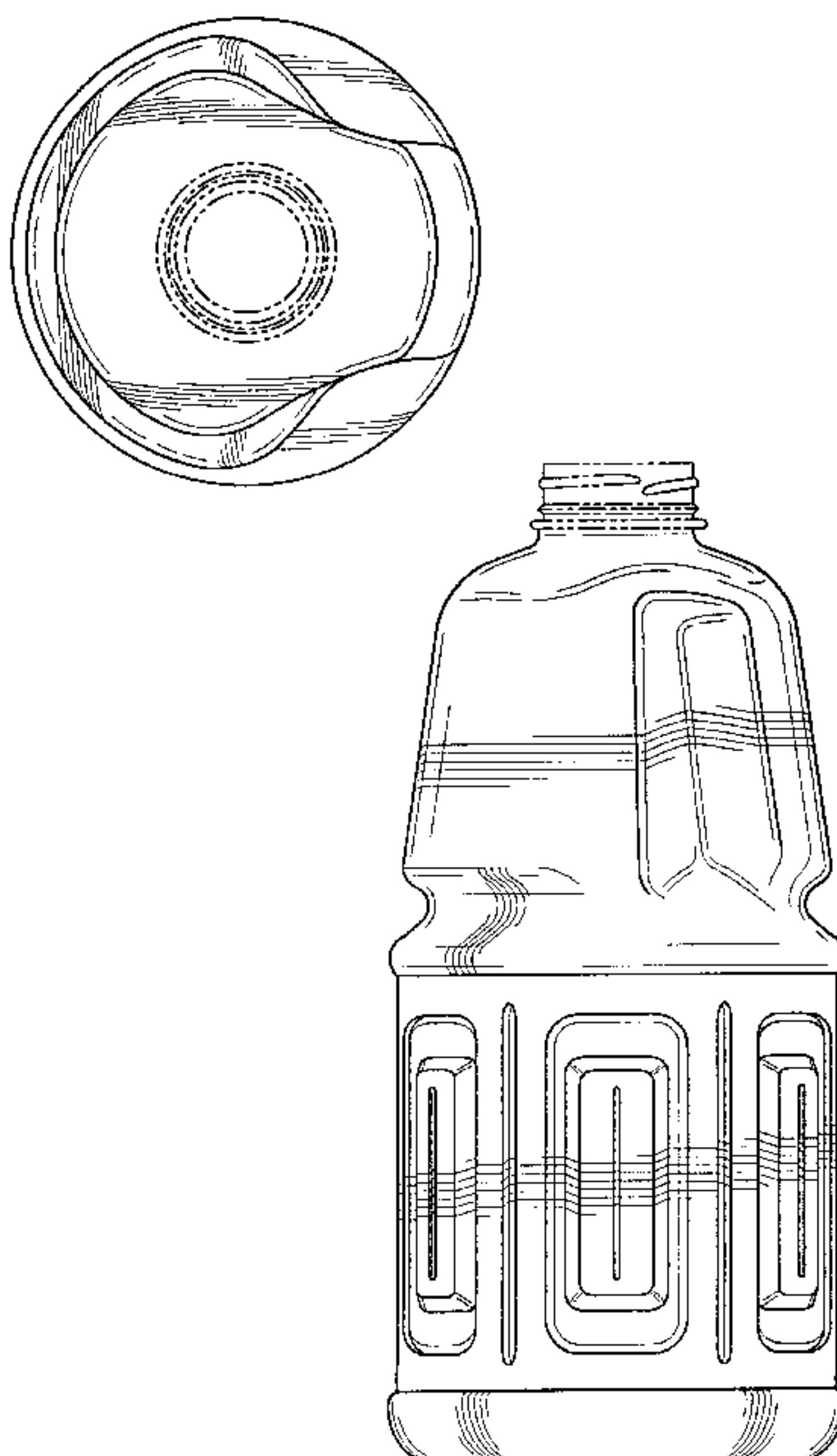
The ornamental design for a container, as shown and described.

DESCRIPTION

FIG. 1 is a top plan view of a container according to our new design;
FIG. 2 is a front elevational view of the container of FIG. 1;
FIG. 3 is a left side elevational view of the container of FIG. 1;
FIG. 4 is a bottom plan view of the container of FIG. 1;
FIG. 5 is a rear elevational view of the container of FIG. 1;
and,
FIG. 6 is a right side elevational view of the container of FIG. 1.

The broken line showing the neck with threads in FIGS. 1-3, 5 and 6 are for illustrative purposes only and forms no part of the claimed design. In addition, the bottom broken line of the neck with threads, which defines the bounds of the claimed design, forms no part thereof.

1 Claim, 3 Drawing Sheets



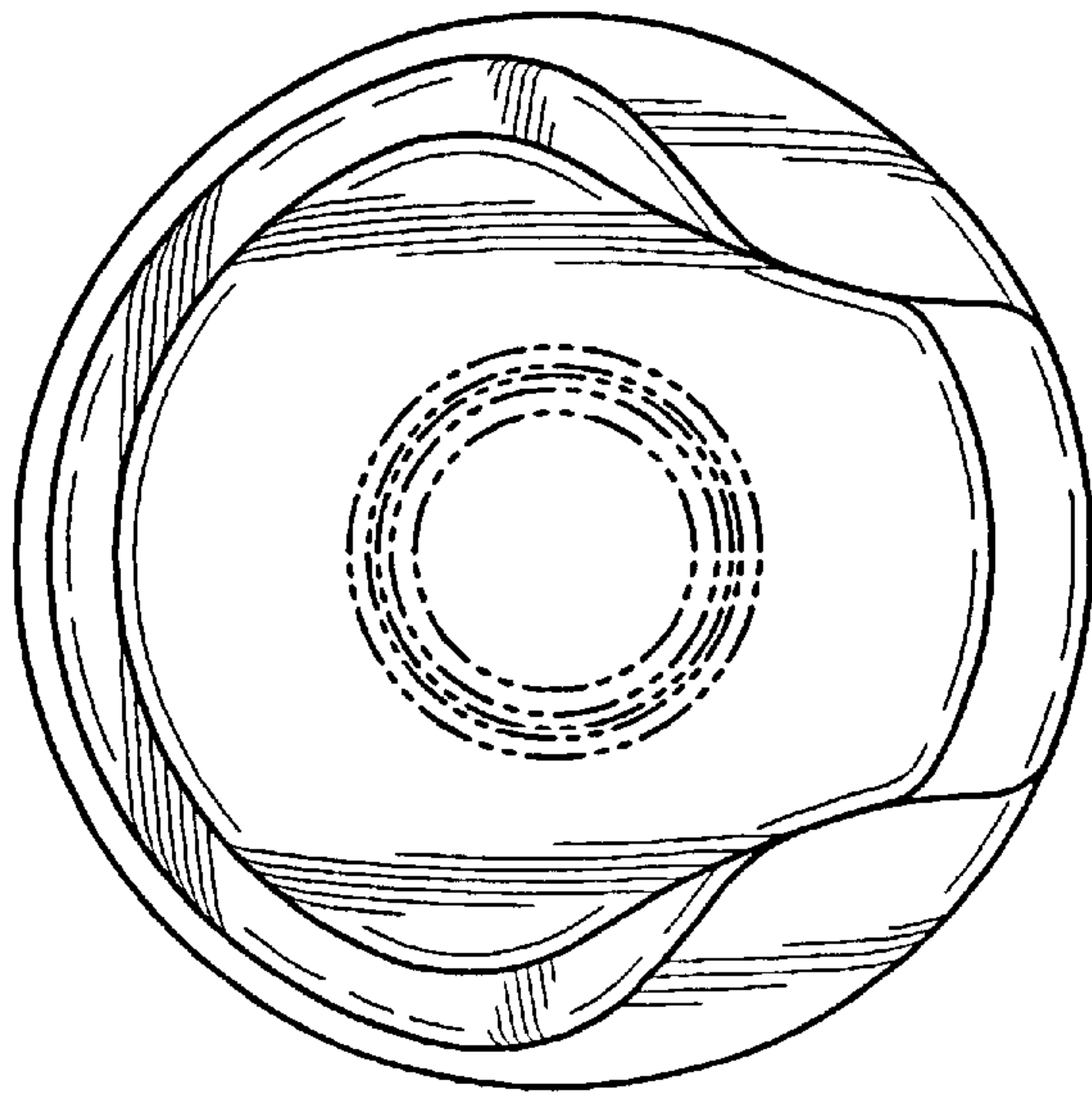


Fig-1

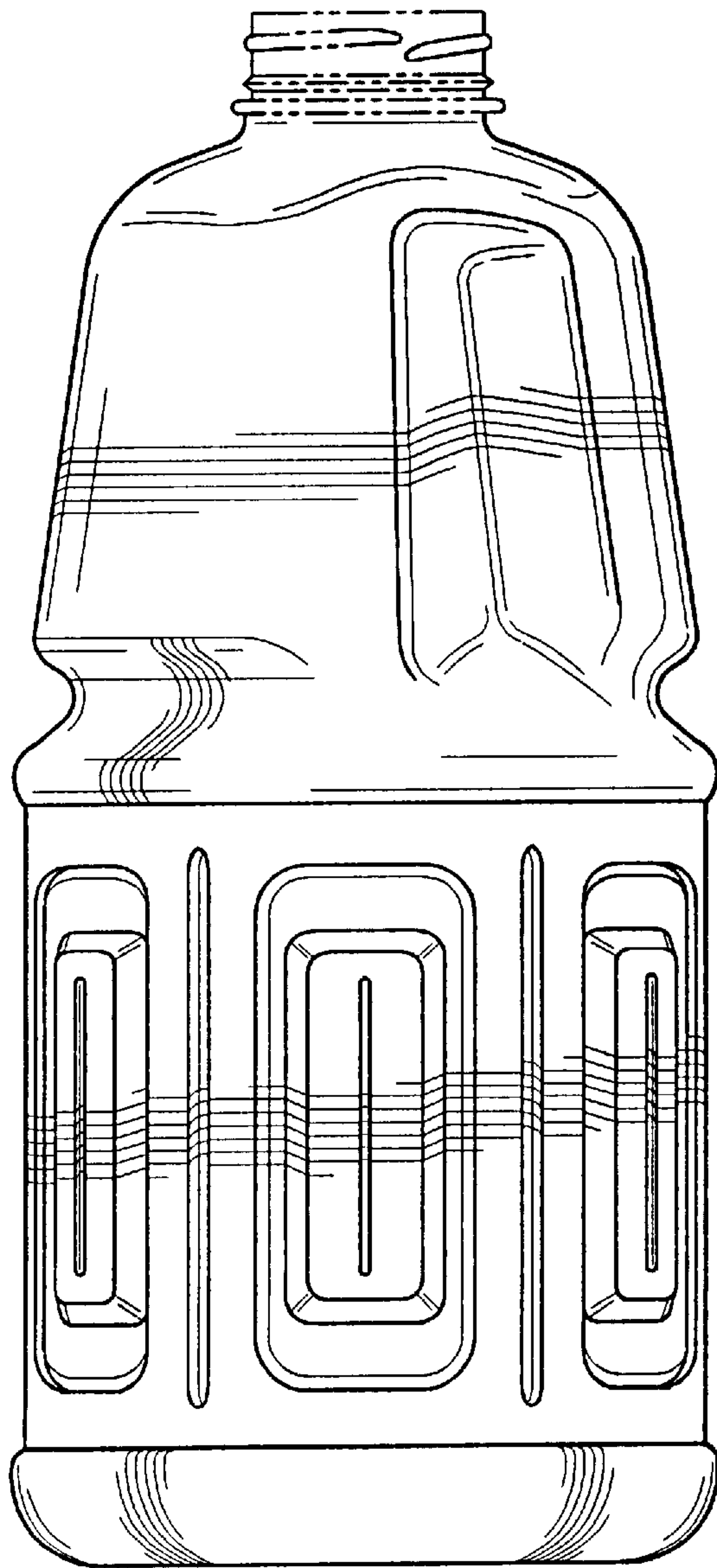


Fig-2

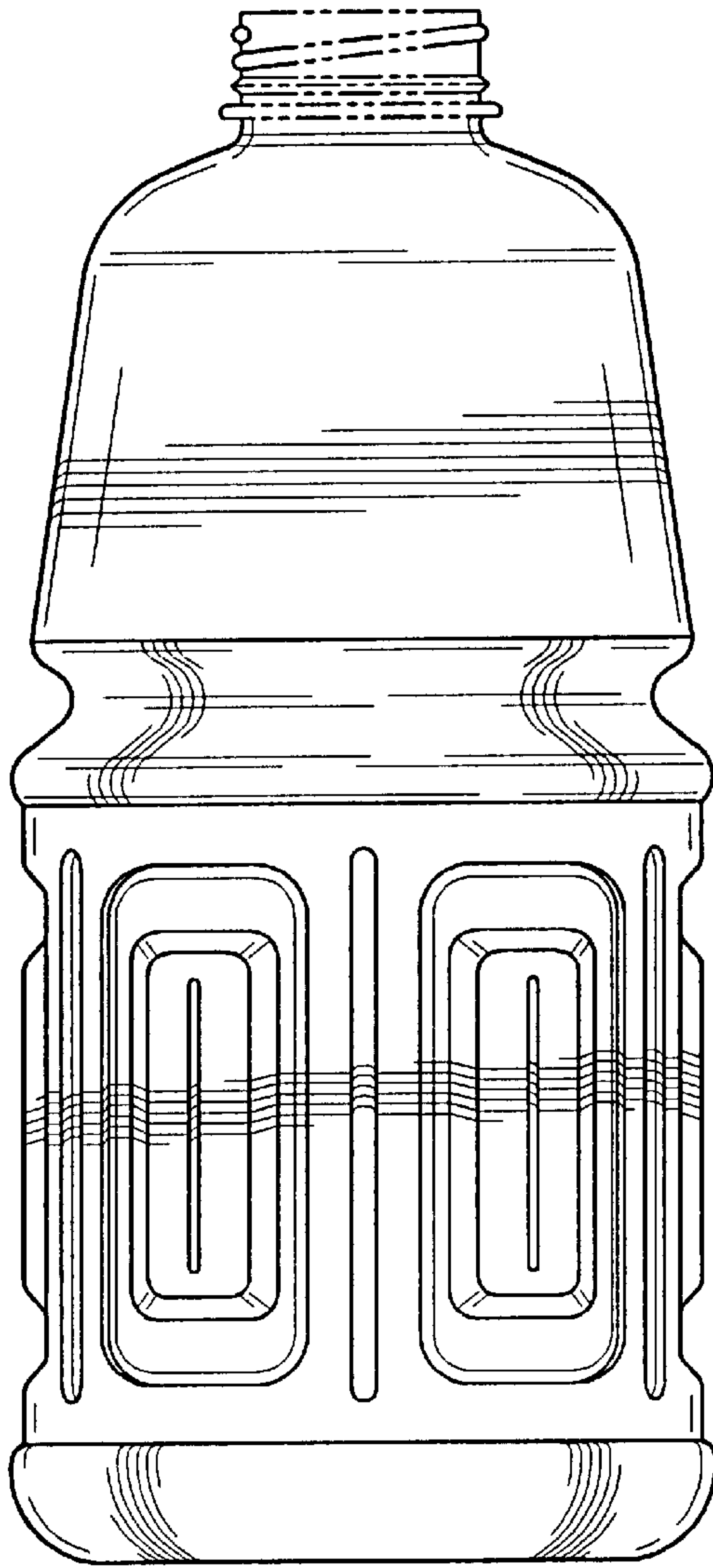


Fig-3

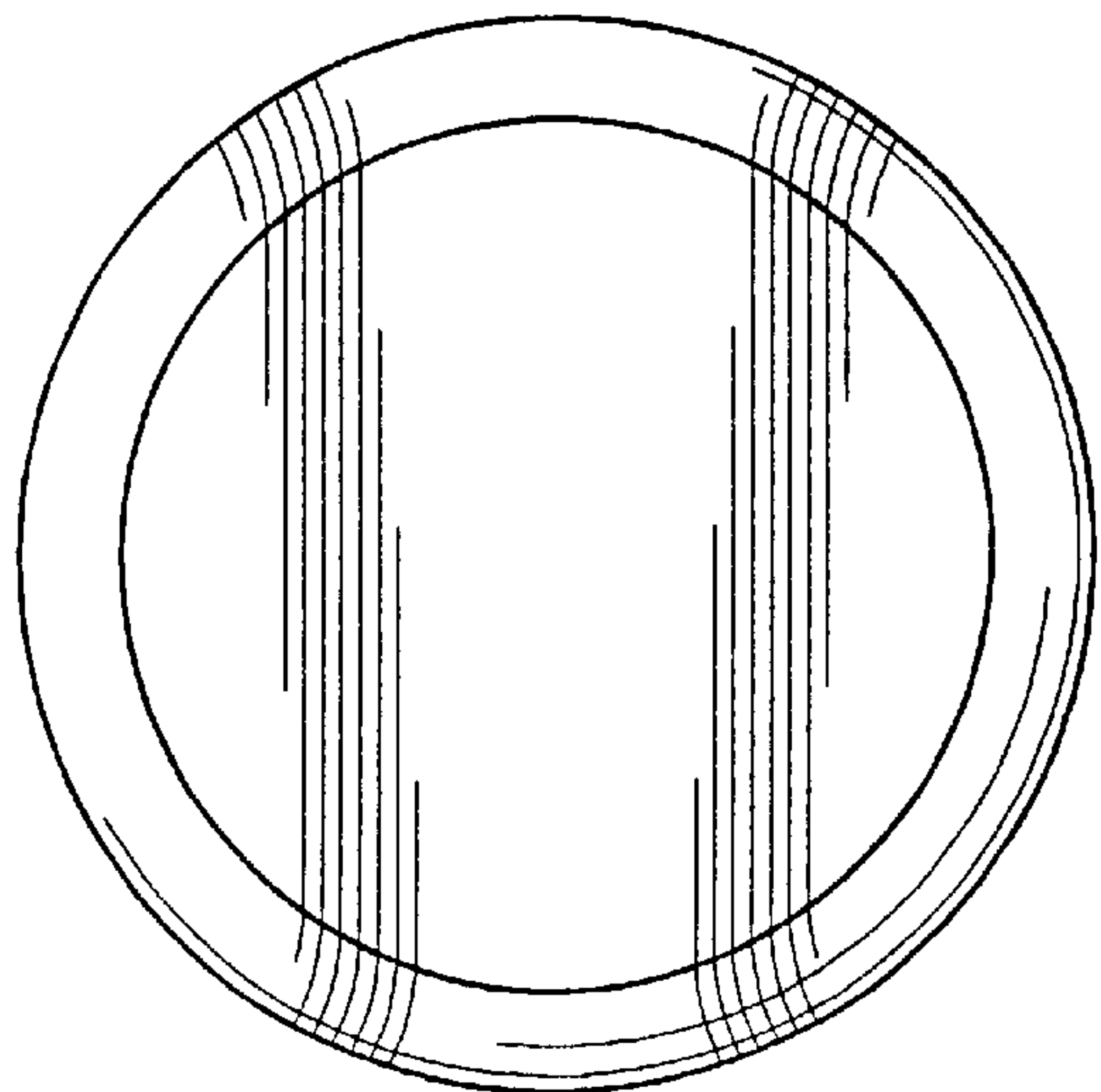


Fig-4

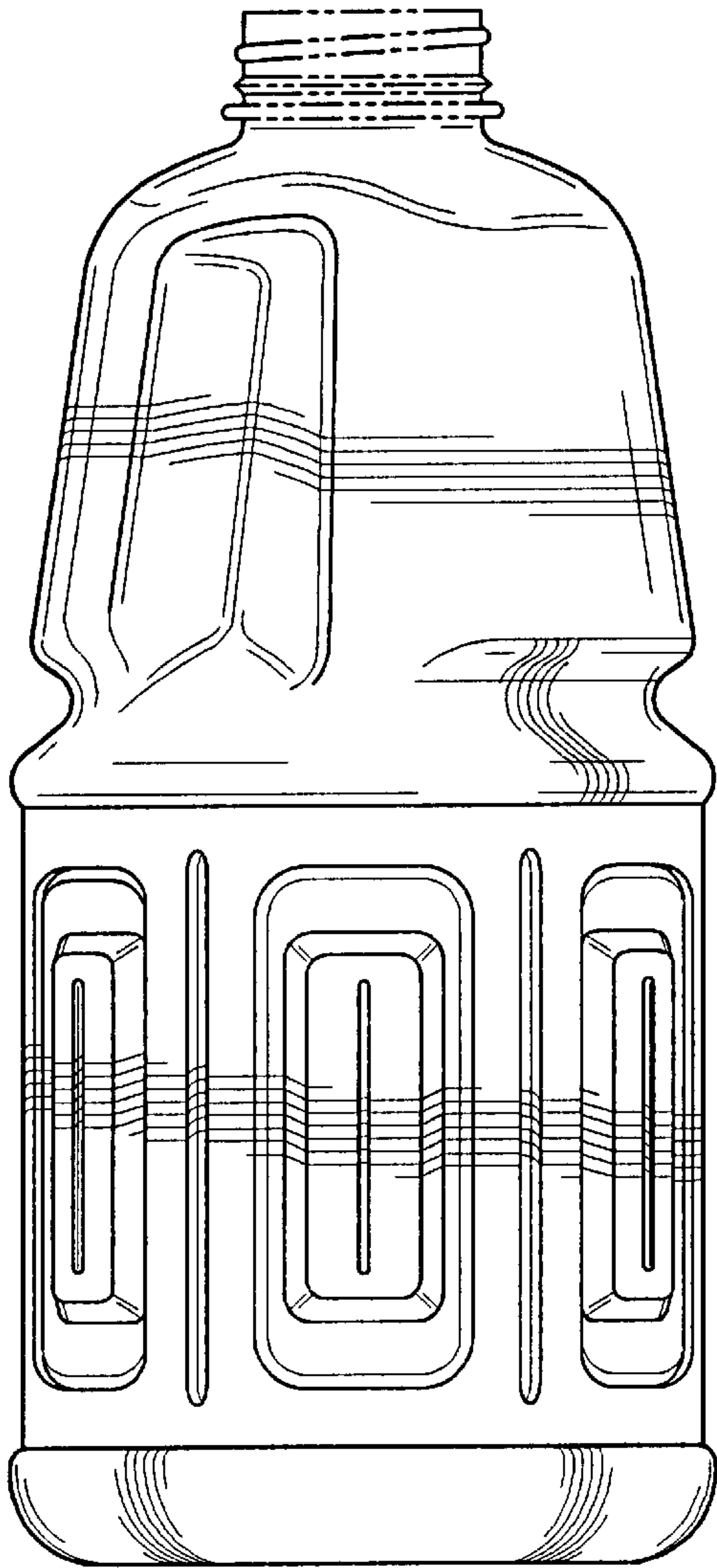


Fig-5

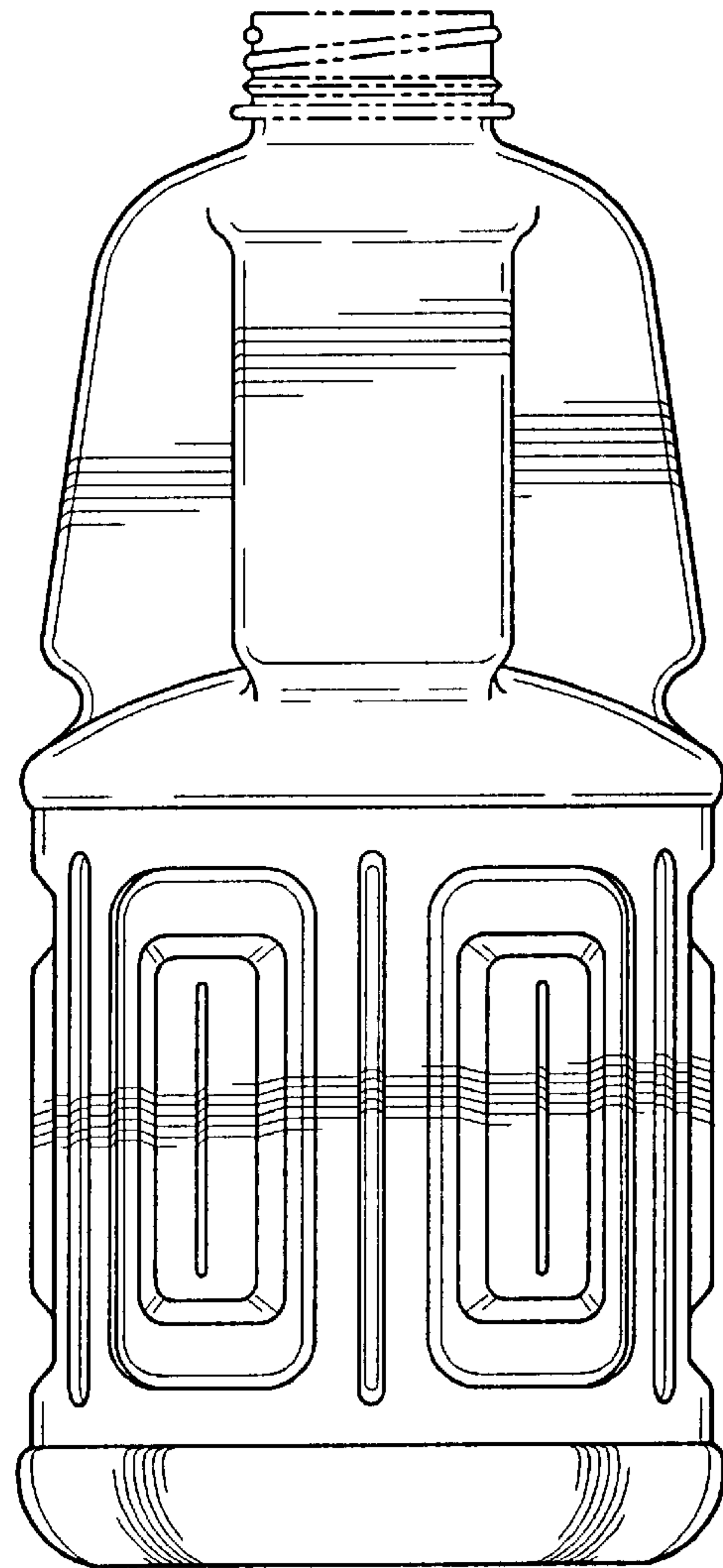


Fig-6