



US00D480000S

(12) **United States Design Patent**
Hirato

(10) **Patent No.:** **US D480,000 S**

(45) **Date of Patent:** **** Sep. 30, 2003**

(54) **COMBINED BOTTLE AND CAP**
(75) Inventor: **Eriko Hirato**, Tokyo (JP)
(73) Assignee: **Shiseido Co., Ltd.**, Tokyo (JP)
(**) Term: **14 Years**

D424,943 S * 5/2000 Kokenge et al. D9/504
D434,324 S * 11/2000 Gobe D9/504
D434,667 S * 12/2000 Gobe D9/529
D442,031 S * 5/2001 Perez D7/628
D442,834 S * 5/2001 Perez D7/628
D446,456 S * 8/2001 Adachi et al. D9/529
D474,405 S * 5/2003 Togasawa D9/504

(21) Appl. No.: **29/158,235**
(22) Filed: **Apr. 2, 2002**
(51) **LOC (7) Cl.** **09-01**
(52) **U.S. Cl.** **D9/504**
(58) **Field of Search** D9/500, 504, 505,
D9/515, 516, 519, 529, 549, 558, 414,
424, 430; D28/76, 78, 82, 91, 99; 215/382-384,
396, 398, 400, 12.1; 206/235, 581, 823

* cited by examiner

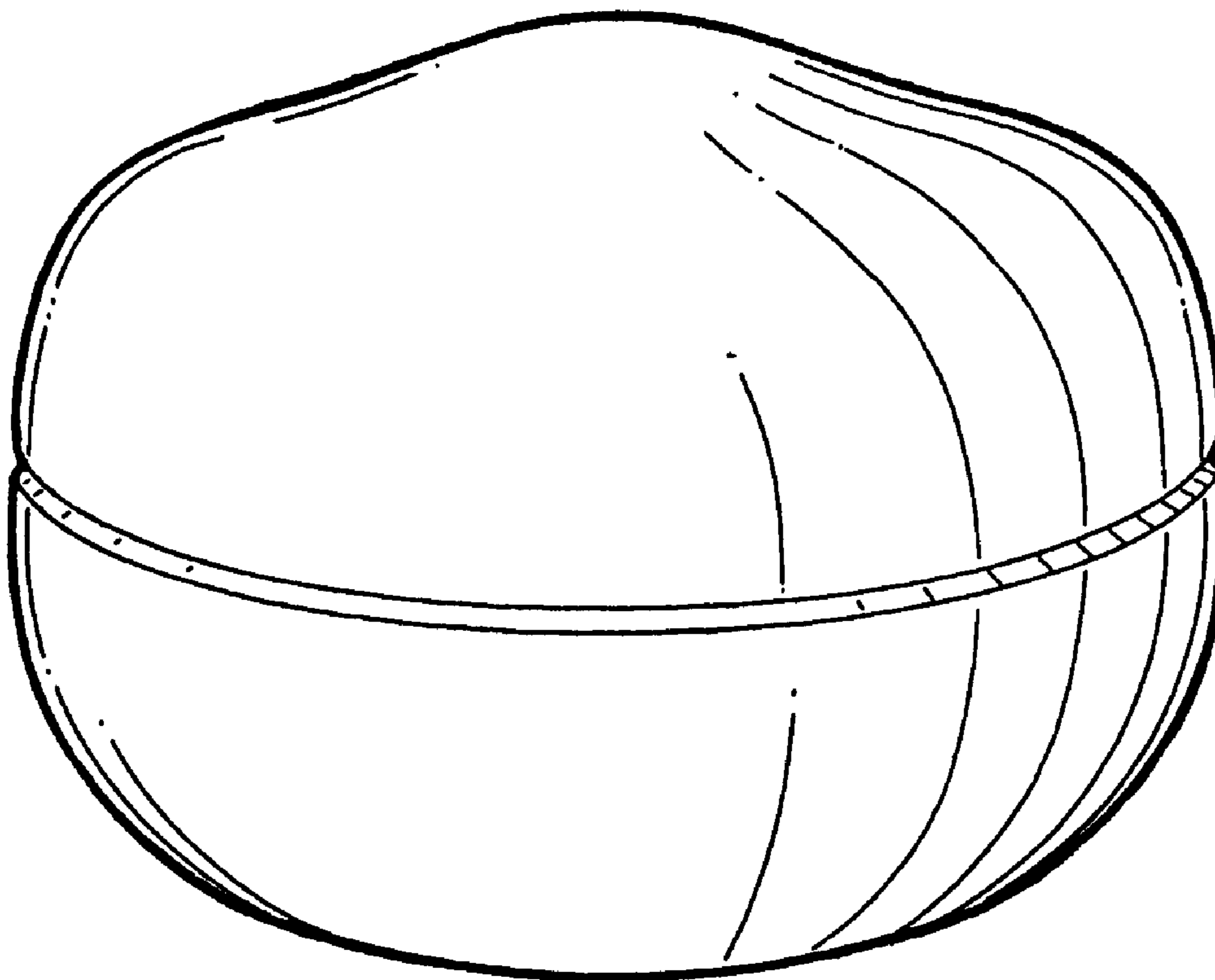
Primary Examiner—Philip S. Hyder
Assistant Examiner—Carol Rademaker
(74) *Attorney, Agent, or Firm*—Kanesaka & Takeuchi

(56) **References Cited**
U.S. PATENT DOCUMENTS
1,509,524 A * 9/1924 Morrison 220/212
D255,215 S * 6/1980 Ellinwood D9/504
D391,162 S * 2/1998 Kokenge D9/504
D403,586 S * 1/1999 Bakic D9/454
D411,742 S * 6/1999 Kokenge et al. D9/434
D411,747 S * 6/1999 Kokenge et al. D9/503
D411,800 S * 7/1999 Kokenge et al. D9/454
D419,881 S * 2/2000 Kokenge et al. D9/454

(57) **CLAIM**
The ornamental design for a combined bottle and cap, as shown and described.

DESCRIPTION
FIG. 1 is a front view of a combined bottle and cap showing our new design, a rear view being the same as the front view; FIG. 2 is a right view thereof, a left view being the same as the right view; FIG. 3 is a top plan view thereof; FIG. 4 is a bottom plan view thereof; FIG. 5 is a cross sectional view taken along line 5—5 of the front view thereof; and, FIG. 6 is a perspective view thereof.

1 Claim, 3 Drawing Sheets



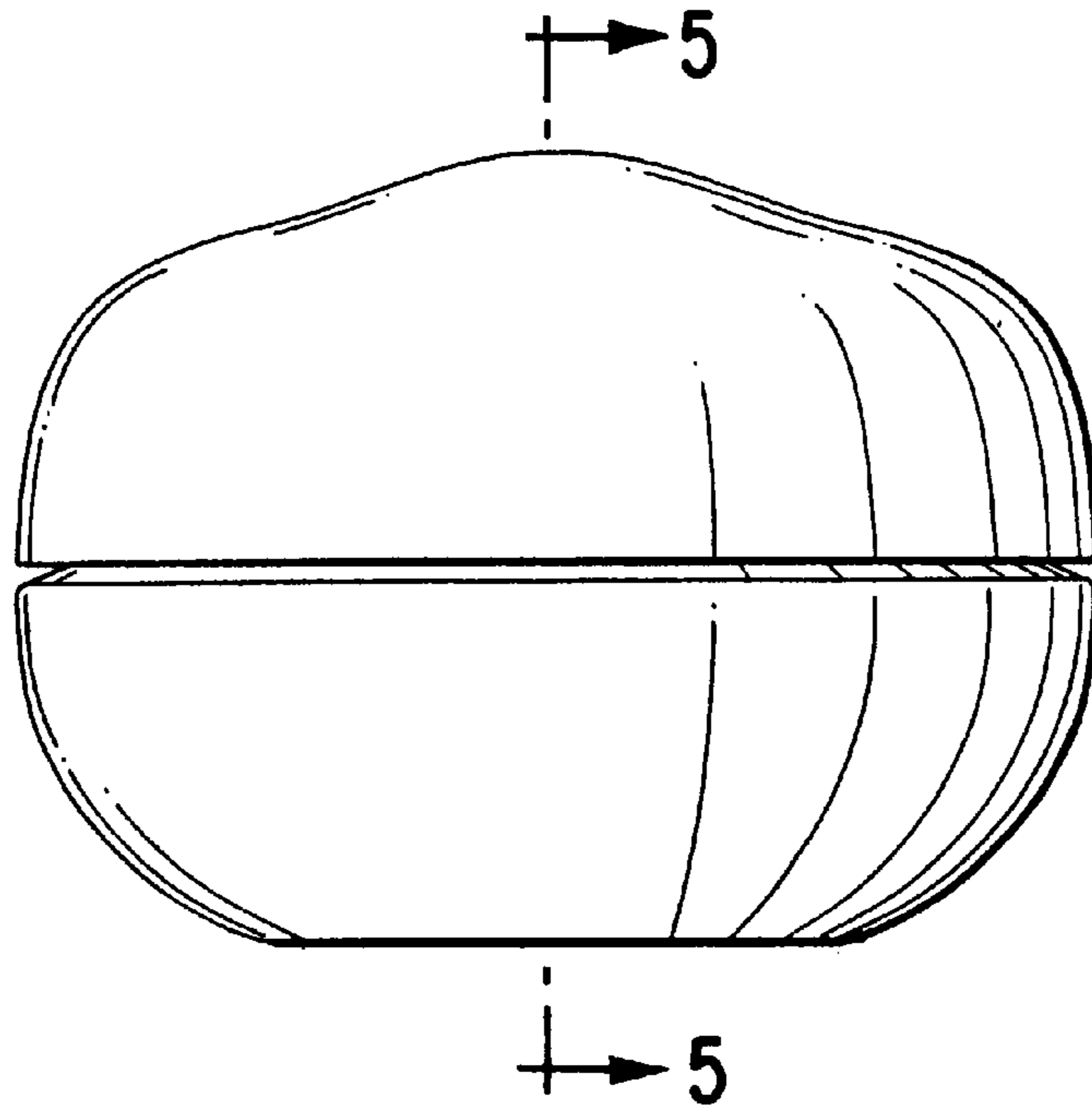


FIG. 1

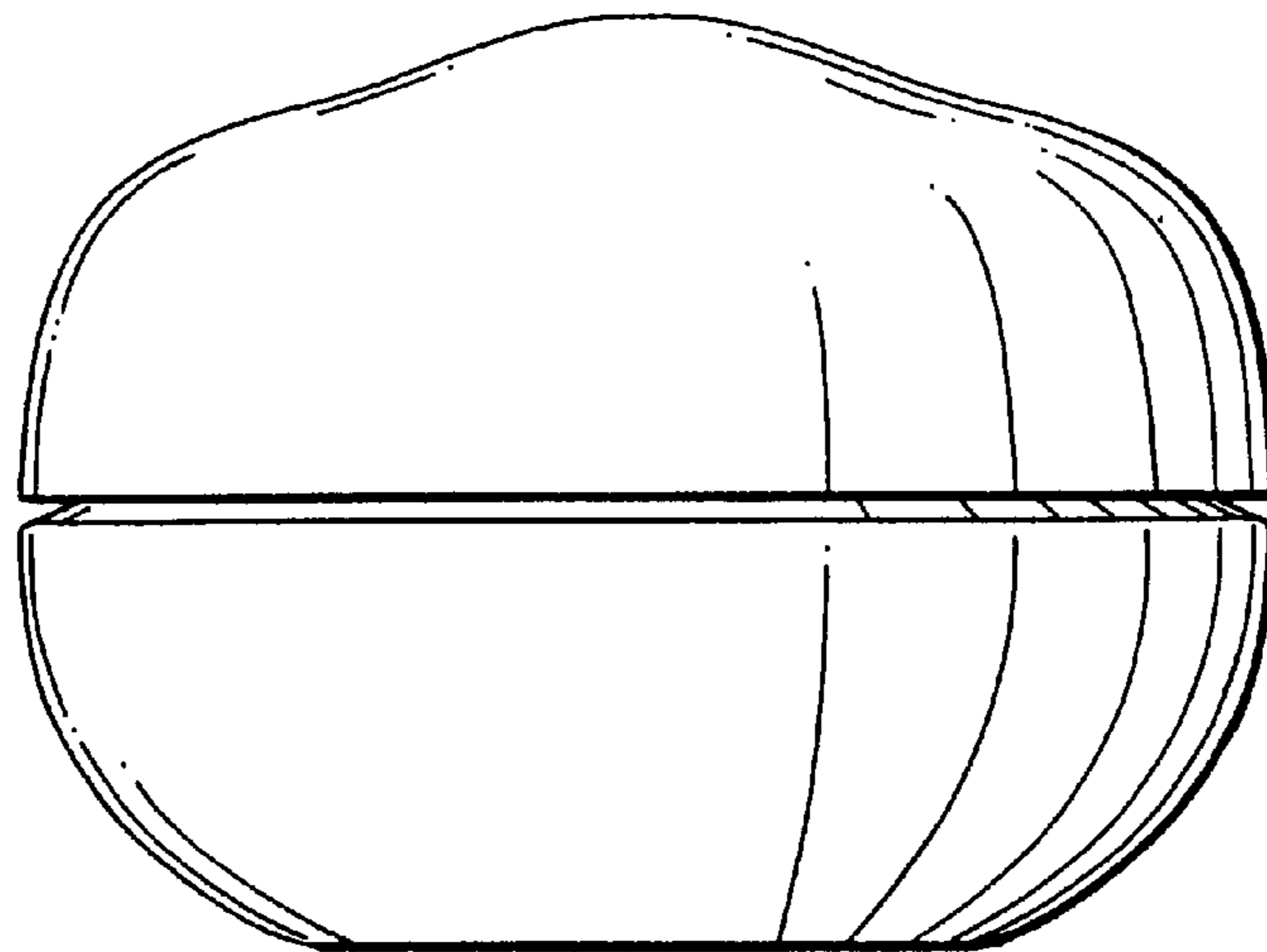


FIG. 2

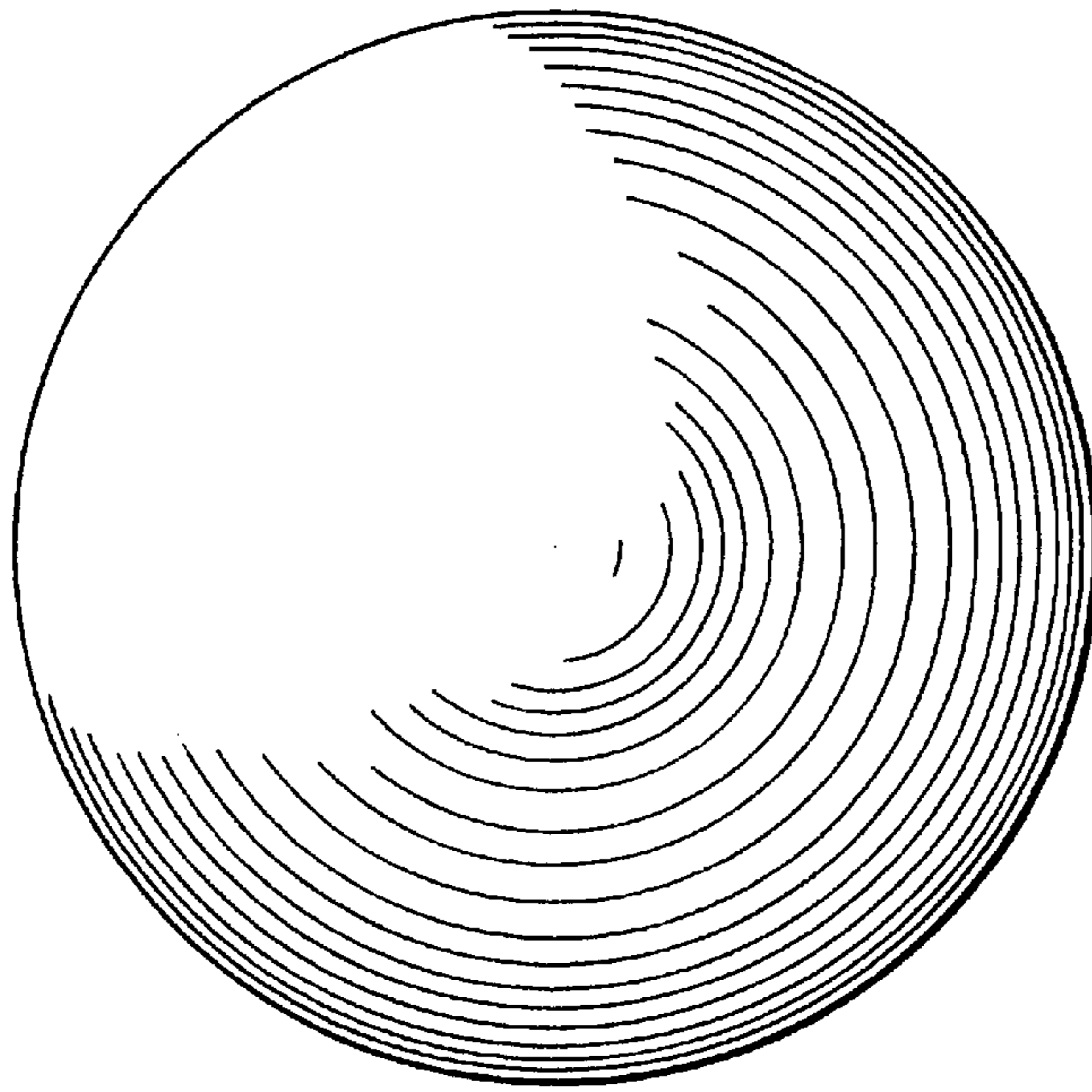


FIG. 3

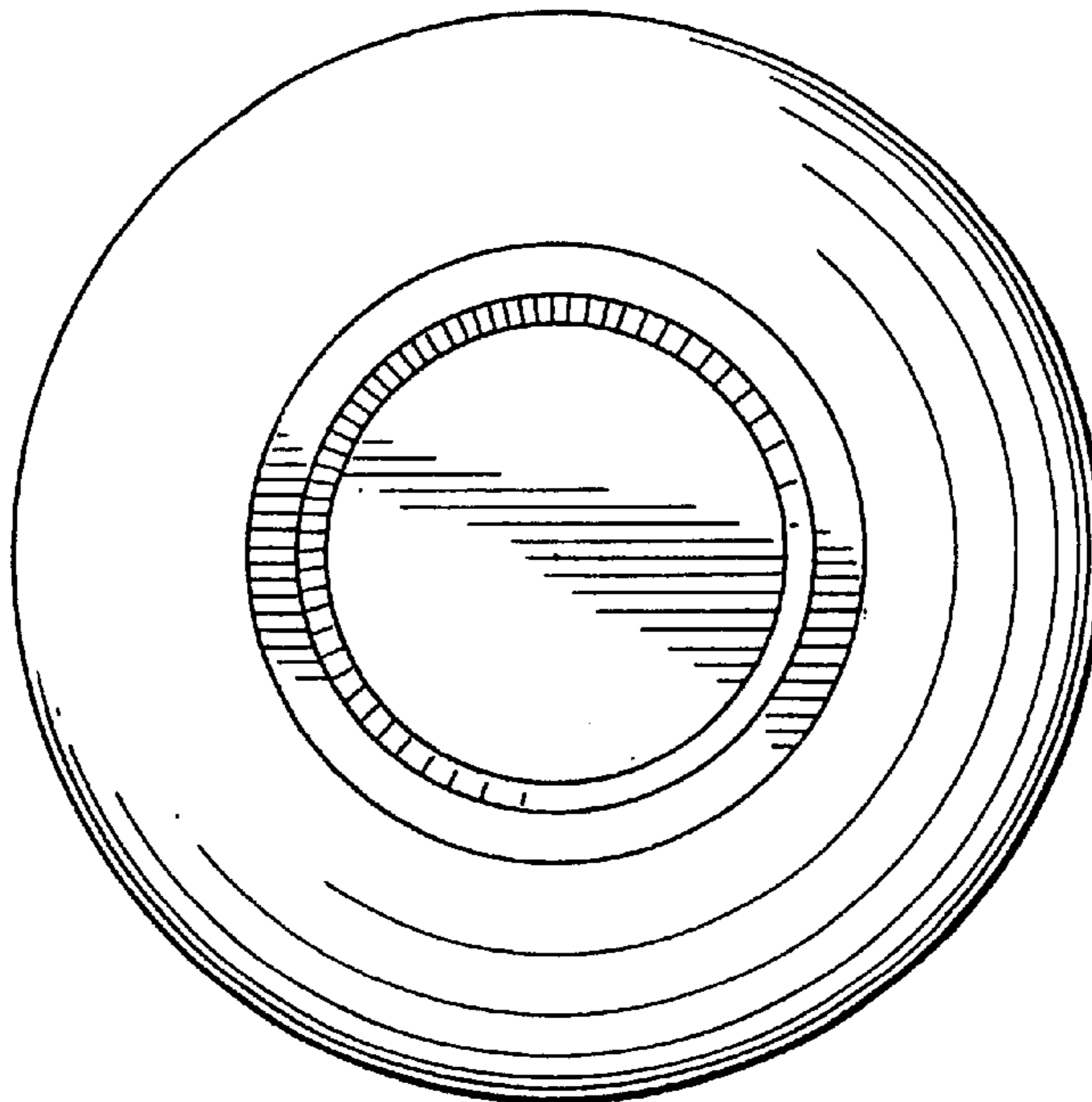


FIG. 4

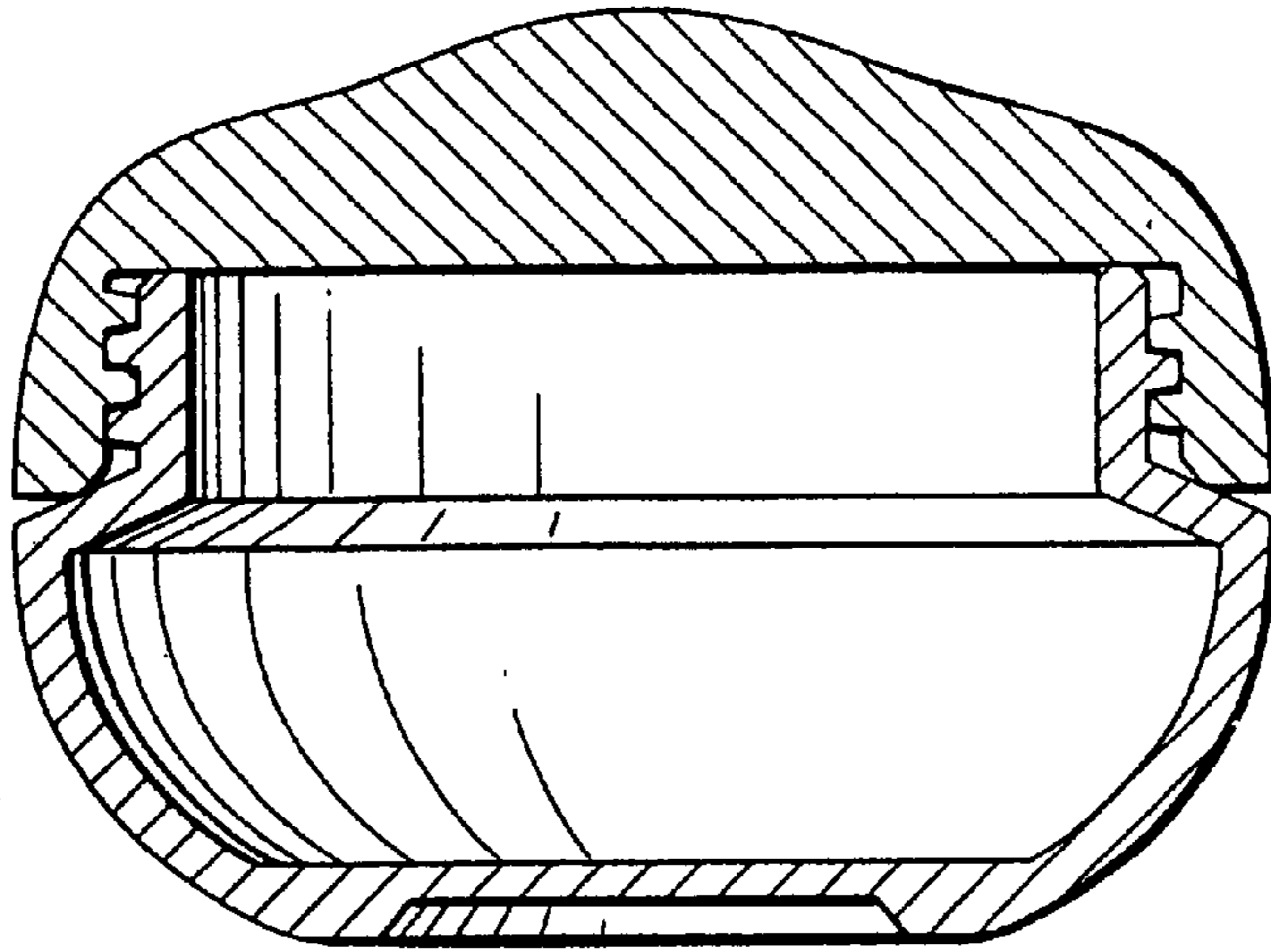


FIG. 5

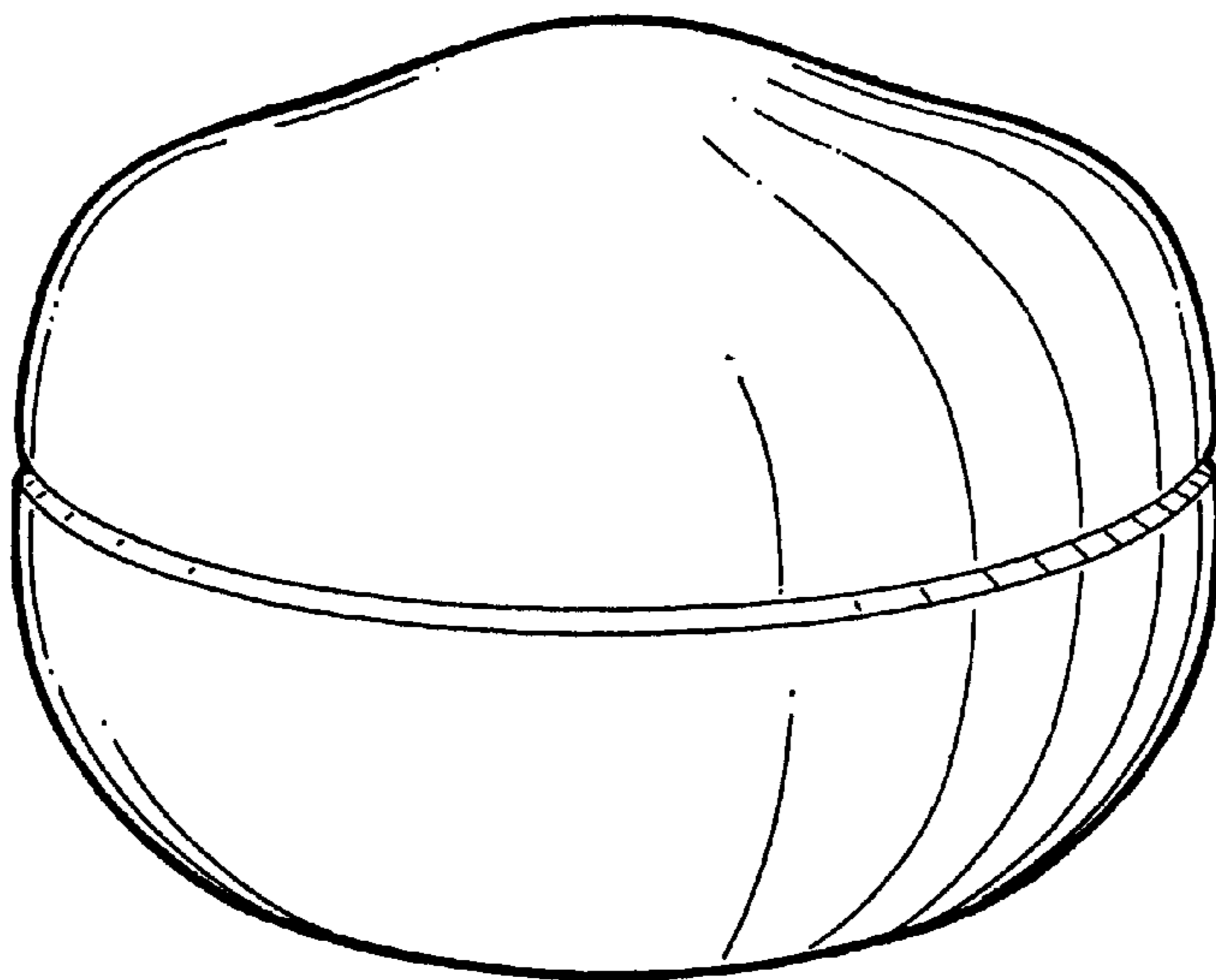


FIG. 6