



US00D479997S

(12) **United States Design Patent**
Ekkert et al.

(10) **Patent No.:** **US D479,997 S**

(45) **Date of Patent:** **** Sep. 30, 2003**

(54) **JAR COVER**

(75) Inventors: **Len Ekkert**, Lemont, IL (US); **Bridget Zemlo**, West Chicago, IL (US); **Luther A. F. Little**, deceased, late of Hilliard, OH (US); by **Luther S. Little**, legal representative, Dayton, OH (US); **Gerald Carlson**, Valencia, CA (US); **Gordon Lane**, Valencia, CA (US); **Michael Rodero**, Roxbury, CT (US)

D136,440 S	10/1943	Tatro	
D189,164 S	* 11/1960	Hollister	D9/447
D272,324 S	1/1984	Mumford et al.	
D292,380 S	10/1987	Smith	
4,727,998 A	* 3/1988	Simon	215/230
D356,871 S	* 3/1995	Dunn	D9/452
D361,265 S	8/1995	Doxey	
D372,396 S	8/1996	Seager	
D442,089 S	* 5/2001	Sadeghi et al.	D9/452
D443,513 S	6/2001	Goettner	
D457,431 S	5/2002	Brant et al.	

(73) Assignee: **Societe des Produits Nestle S.A.**, Vevey (CH)

(**) Term: **14 Years**

(21) Appl. No.: **29/168,086**

(22) Filed: **Sep. 25, 2002**

(51) **LOC (7) Cl.** **09-07**

(52) **U.S. Cl.** **D9/452**; D9/454; D9/435

(58) **Field of Search** D9/434, 452, 454, D9/435, 447; 220/200, 288; 215/200, 356, 230

(56) **References Cited**

U.S. PATENT DOCUMENTS

D86,816 S	*	4/1932	Von Till	D9/454
D89,809 S	*	5/1933	Von Till	D9/454
D95,904 S	*	6/1935	Fuerst	D9/454
D102,368 S		12/1936	Higgins	
D116,858 S	*	9/1939	Martin	D9/452

* cited by examiner

Primary Examiner—Louis S. Zarfaz

Assistant Examiner—Gregory Andoll

(74) *Attorney, Agent, or Firm*—Sheldon & Mak; Denton L. Anderson

(57) **CLAIM**

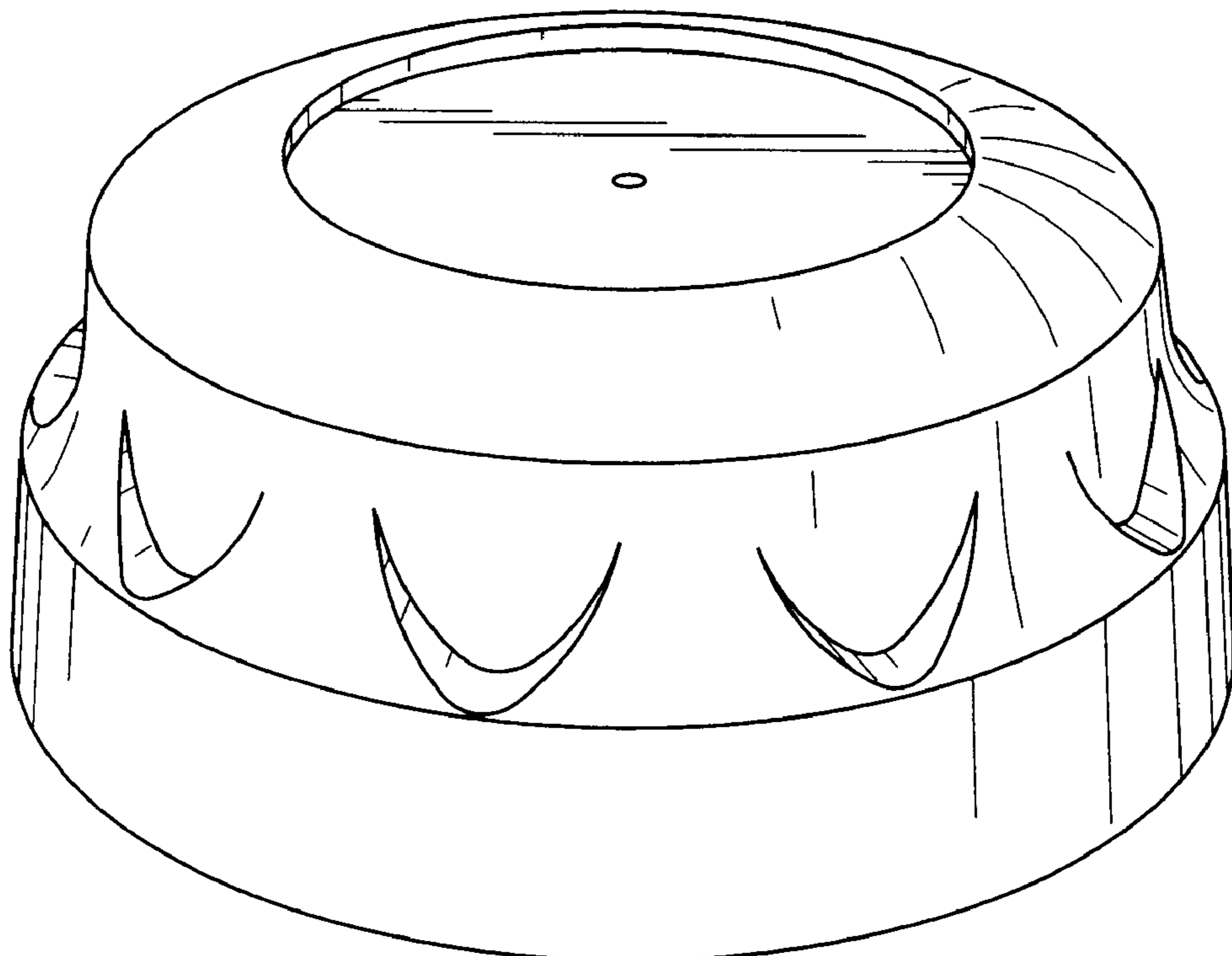
The ornamental design for a jar cover, as shown and described.

DESCRIPTION

FIG. 1 is a perspective view of the jar cover of the invention; FIG. 2 is a side view of the jar cover illustrated in FIG. 1; FIG. 3 is a top view of the jar cover illustrated in FIG. 1; FIG. 4 is a bottom view of the jar cover illustrated in FIG. 1; and,

FIG. 5 is a cross-sectional view of the jar cover illustrated in FIG. 3, taken along line 5—5.

1 Claim, 2 Drawing Sheets



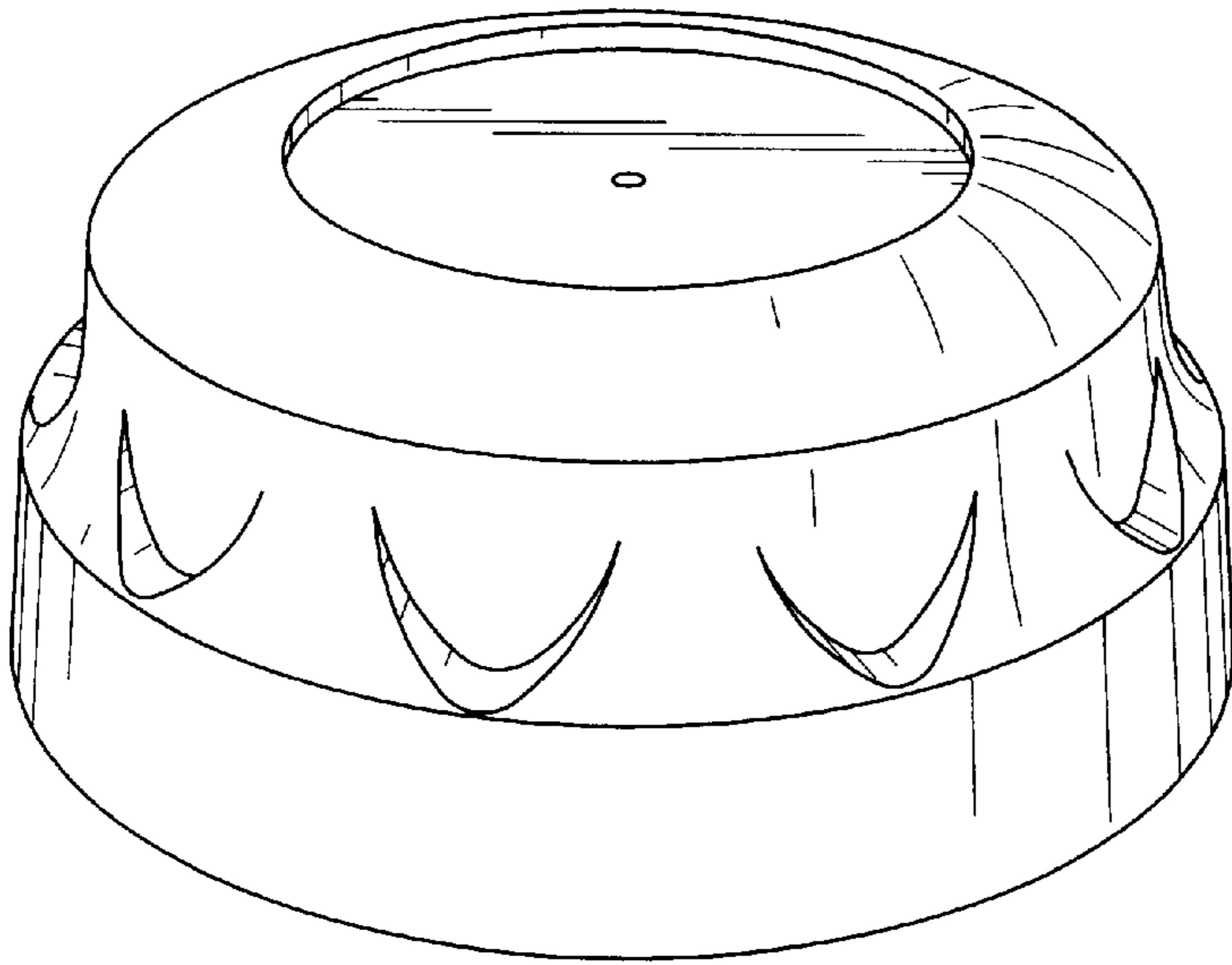


FIG. 1

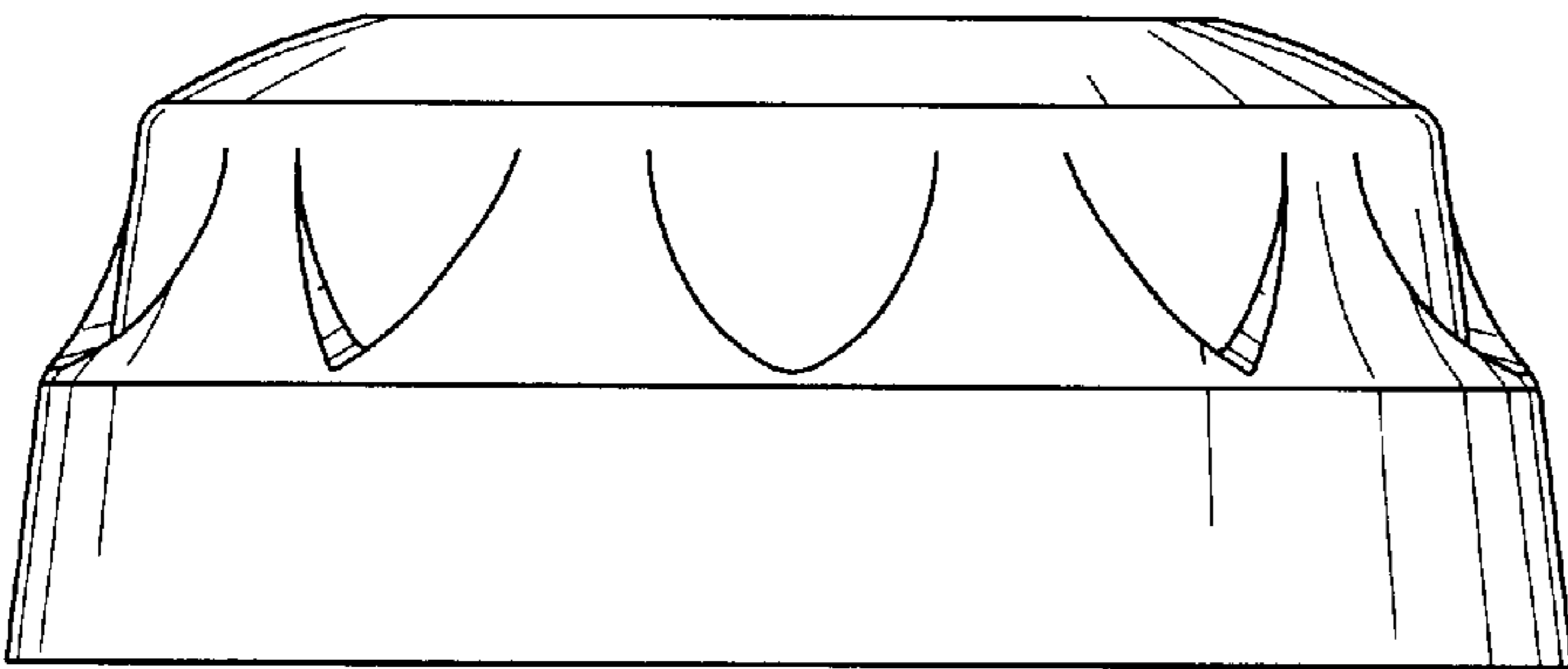


FIG. 2

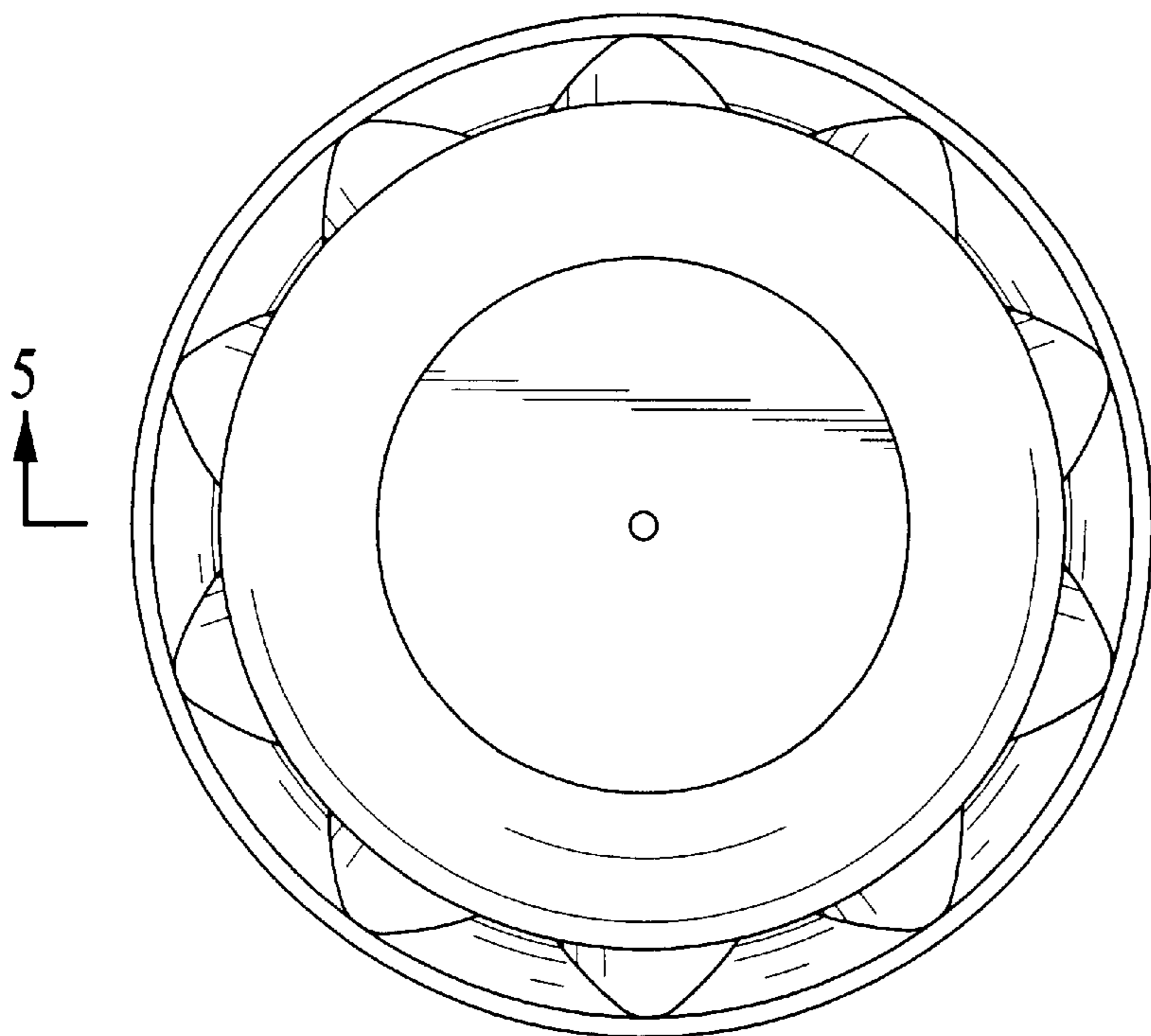


FIG. 3

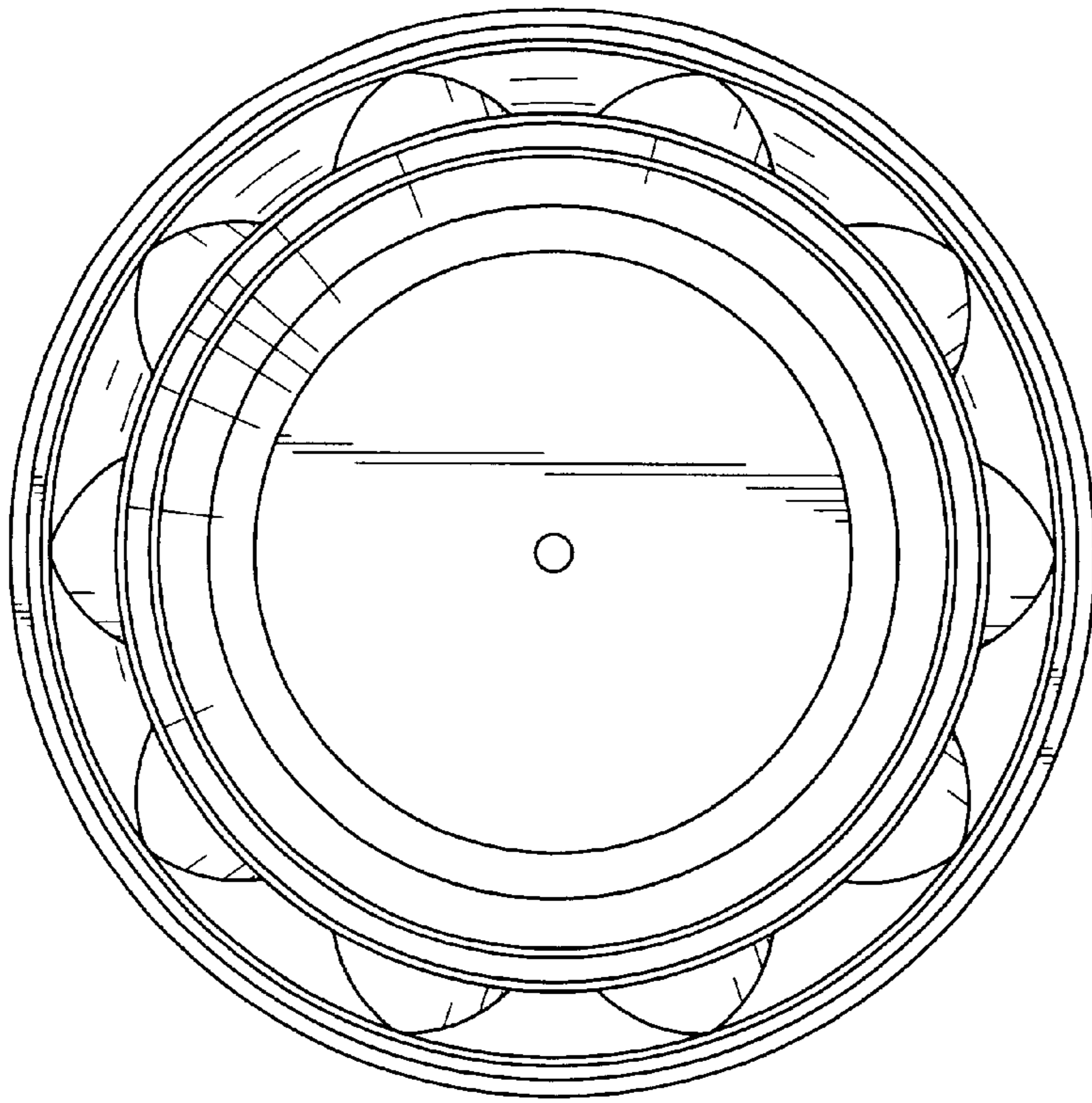


FIG. 4

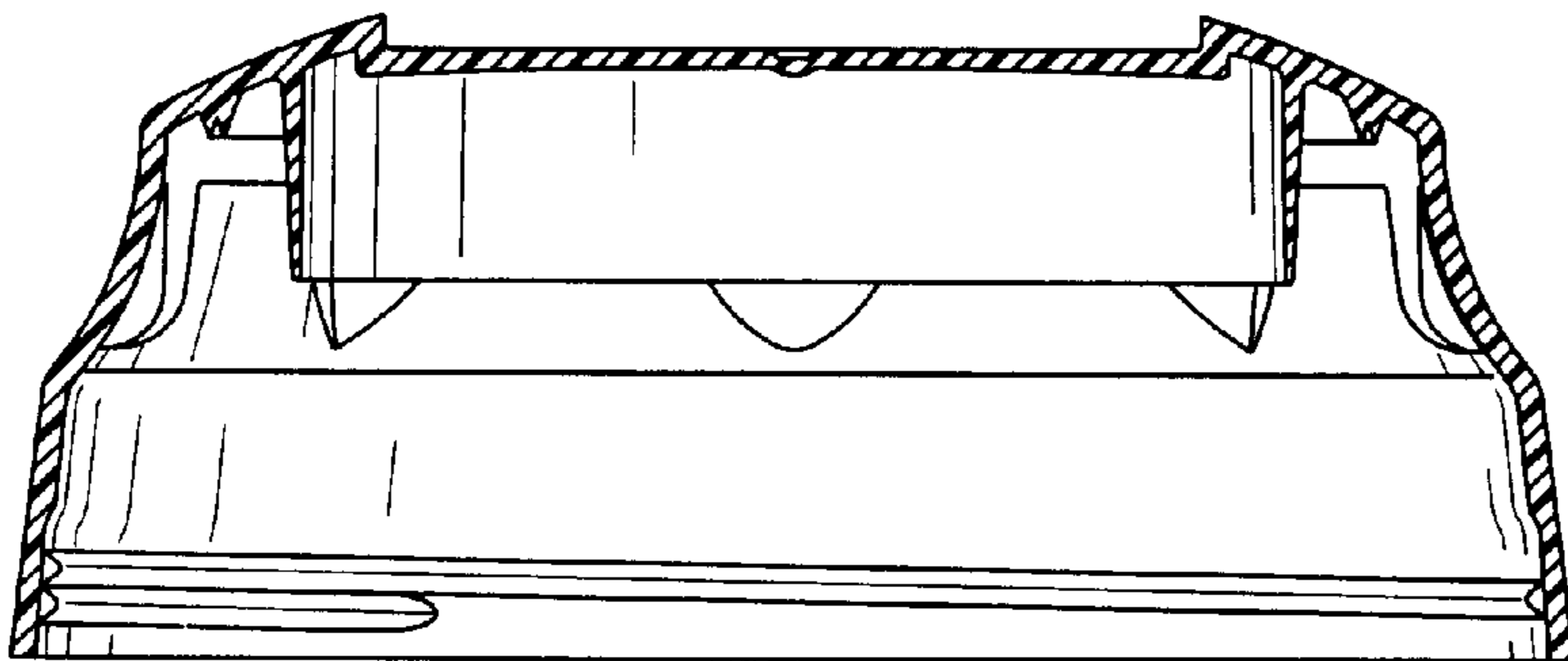


FIG. 5