



US00D479994S

(12) **United States Design Patent**
Cendejas

(10) **Patent No.:** **US D479,994 S**

(45) **Date of Patent:** **** Sep. 30, 2003**

(54) **CLIP-ON CONDIMENT CONTAINER**

(76) Inventor: **Miguel Cendejas**, P.O. Box 1178,
Center, CO (US) 81125

(**) Term: **14 Years**

(21) Appl. No.: **29/173,339**

(22) Filed: **Dec. 27, 2002**

(51) **LOC (7) Cl.** **09-03**

(52) **U.S. Cl.** **D9/432**

(58) **Field of Search** D9/414, 415, 424,
D9/432, 499; 206/216, 223, 348, 386, 390,
400, 477, 495, 527, 541; 220/200, 212,
212.5, 694, 696, 699, 737, 755, 758, 890;
222/465.1, 498

(56) **References Cited**

U.S. PATENT DOCUMENTS

D306,975 S	4/1990	Brondyke et al.	
D309,862 S	* 8/1990	Rose D9/432
5,341,969 A	* 8/1994	Accardo et al. 222/465.1
5,516,008 A	* 5/1996	Rabenau et al. 222/153.05
5,720,429 A	2/1998	Cordle	

5,875,957 A	3/1999	Yocum	
6,076,700 A	* 6/2000	Manges 220/751
D440,874 S	* 4/2001	Shurtleff et al. D9/425
D454,785 S	* 3/2002	Nance D9/424
6,516,951 B2	* 2/2003	Sears et al. 206/541

* cited by examiner

Primary Examiner—Ted Shooman

Assistant Examiner—Daniel Bui

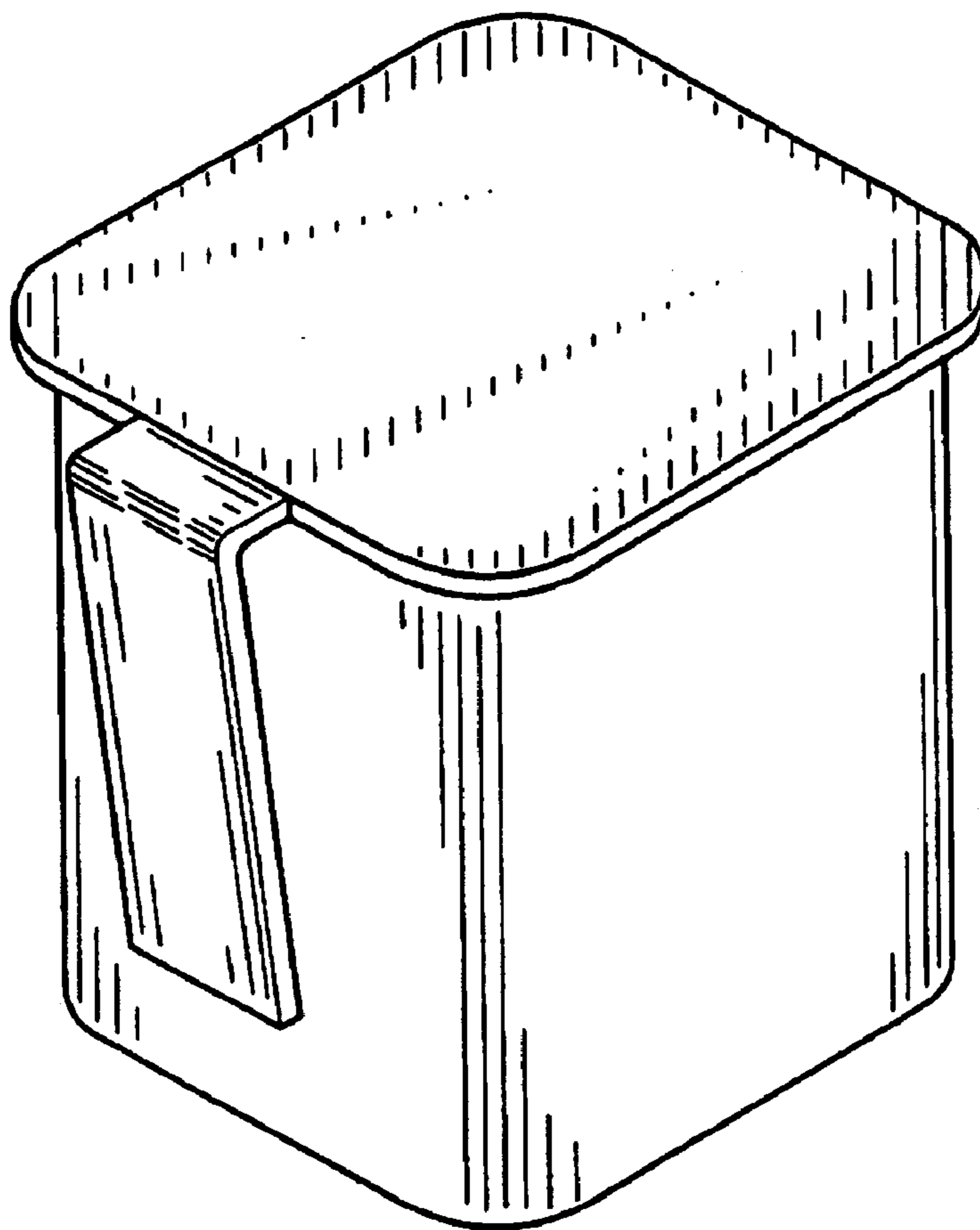
(57) **CLAIM**

The ornamental design for clip-on condiment container, as shown and described.

DESCRIPTION

FIG. 1 is an enlarged perspective view of clip-on condiment container showing our new design; FIG. 2 is a right side elevation view thereof; FIG. 3 is a left side elevational view thereof; FIG. 4 is a rear elevational view thereof; FIG. 5 is a front elevational view thereof; FIG. 6 is a top plan view; and, FIG. 7 is a bottom plan view thereof.

1 Claim, 3 Drawing Sheets



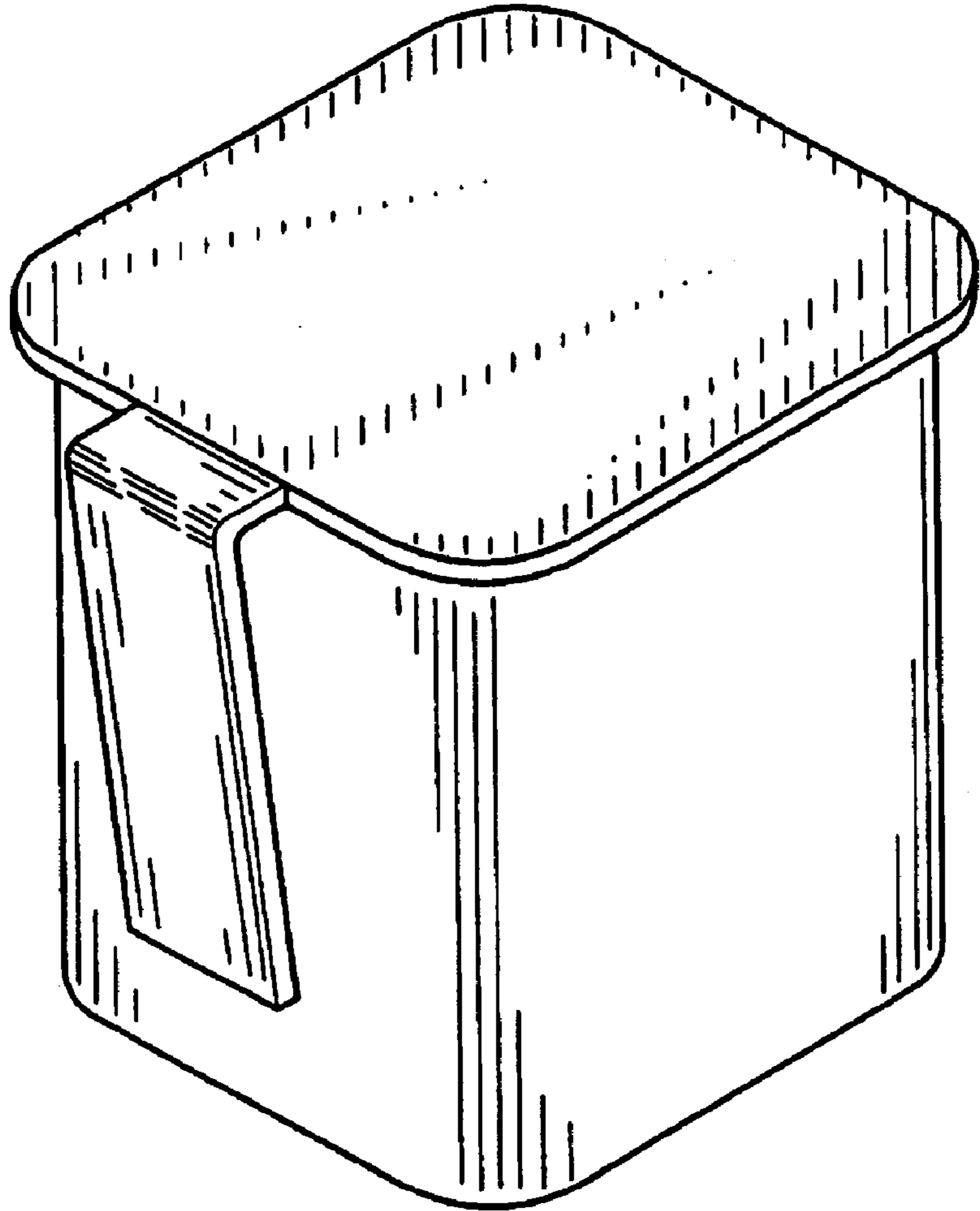


Fig. 1

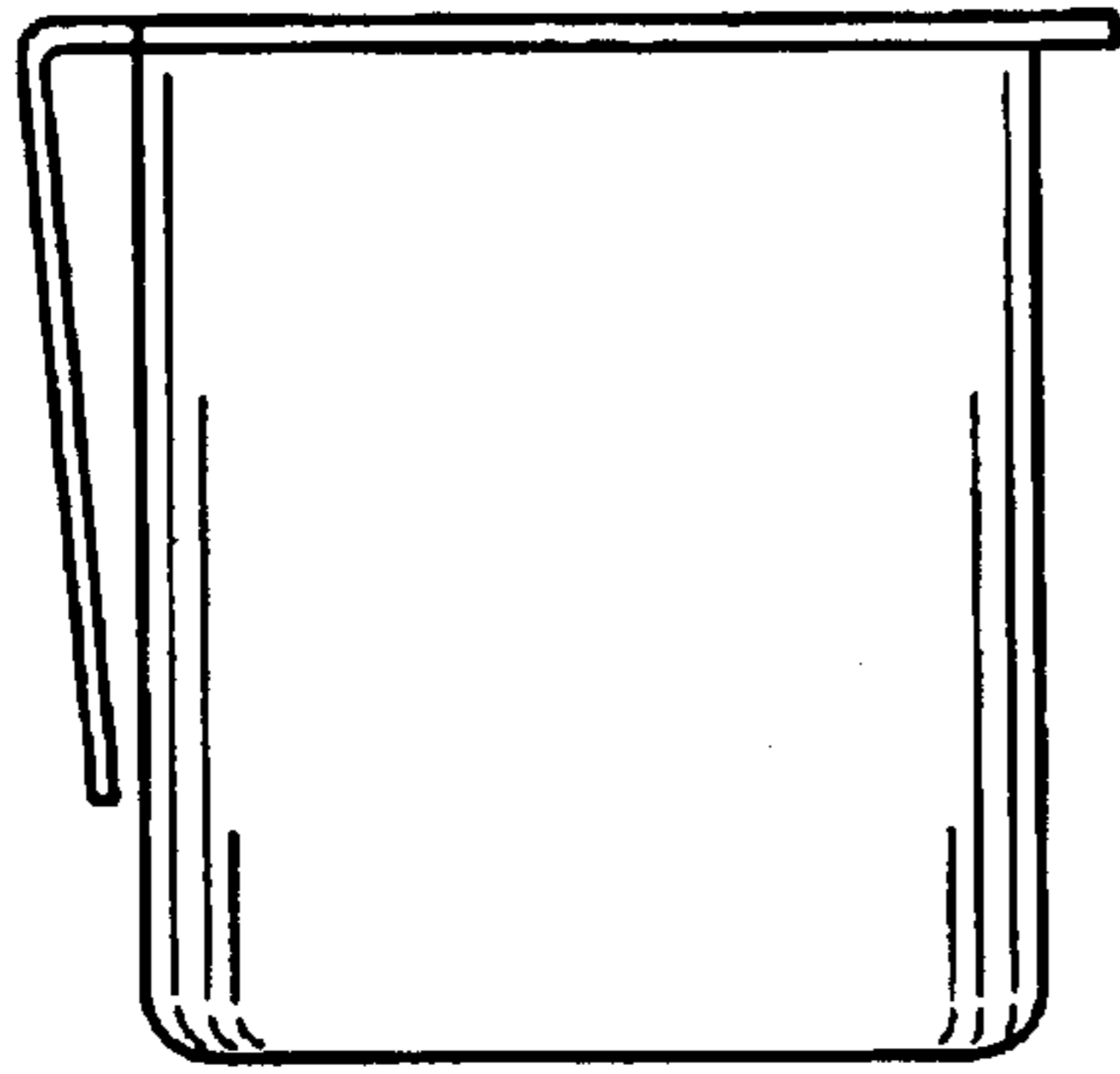


Fig. 2

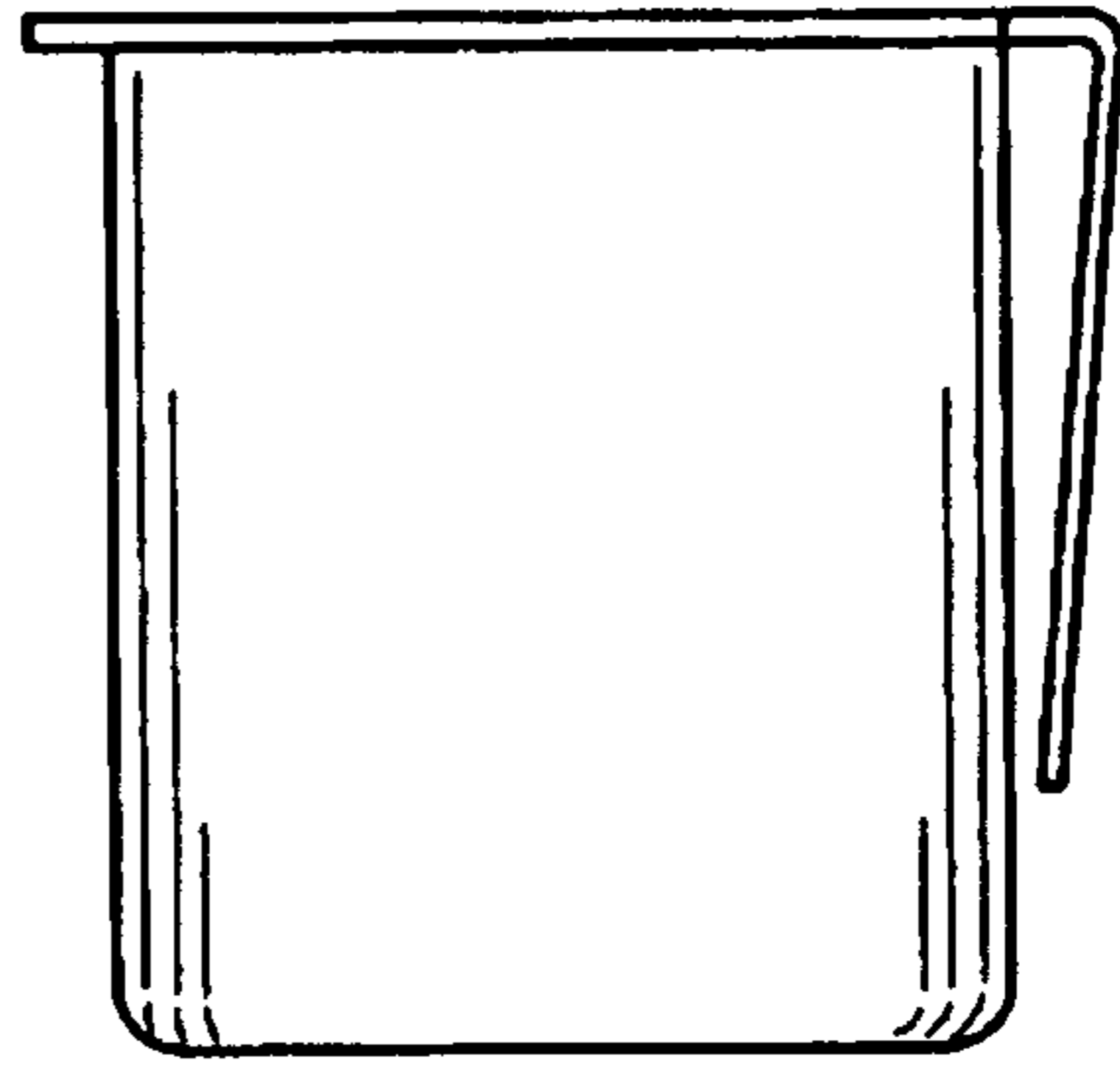


Fig. 3

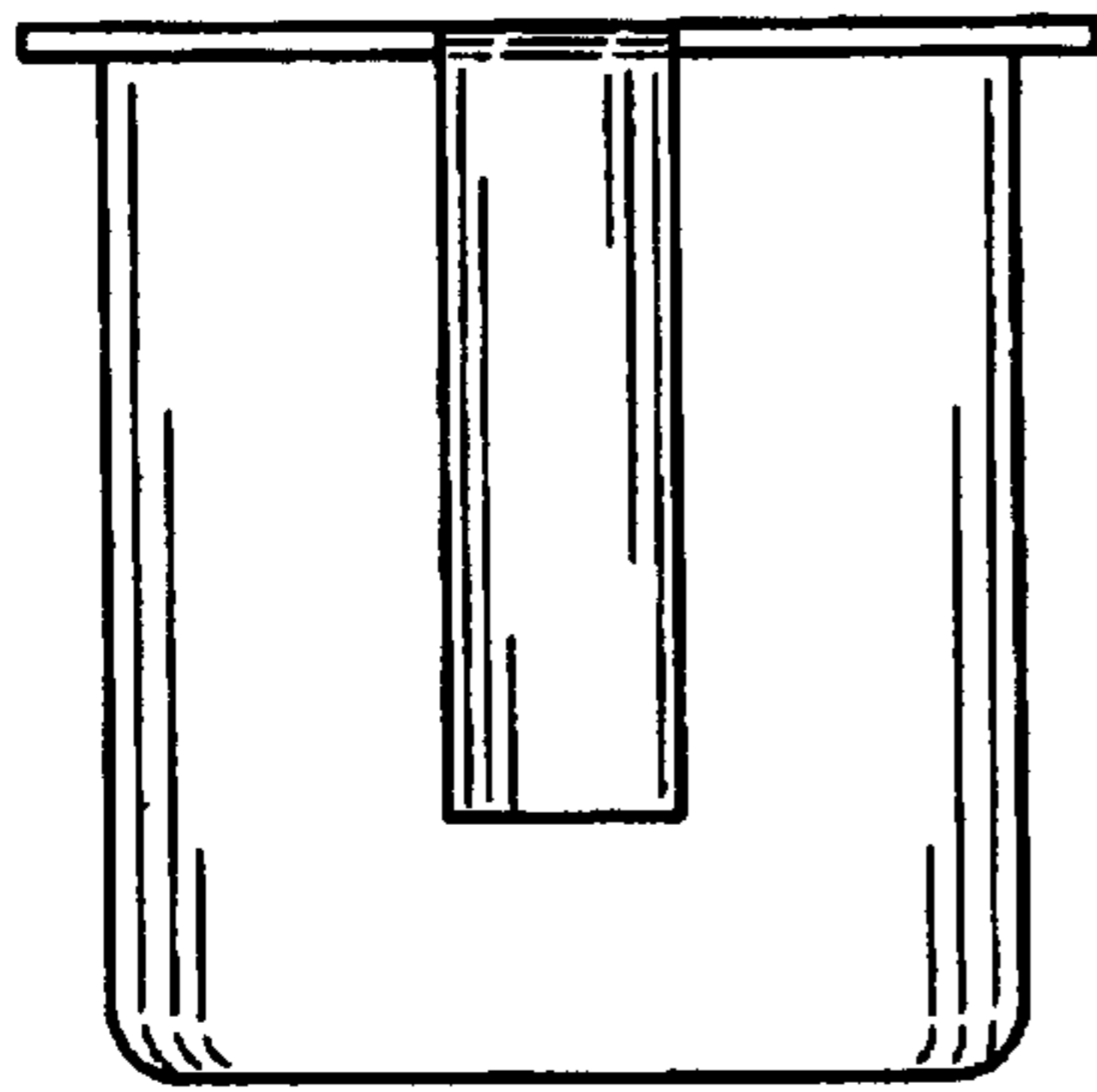


Fig. 4

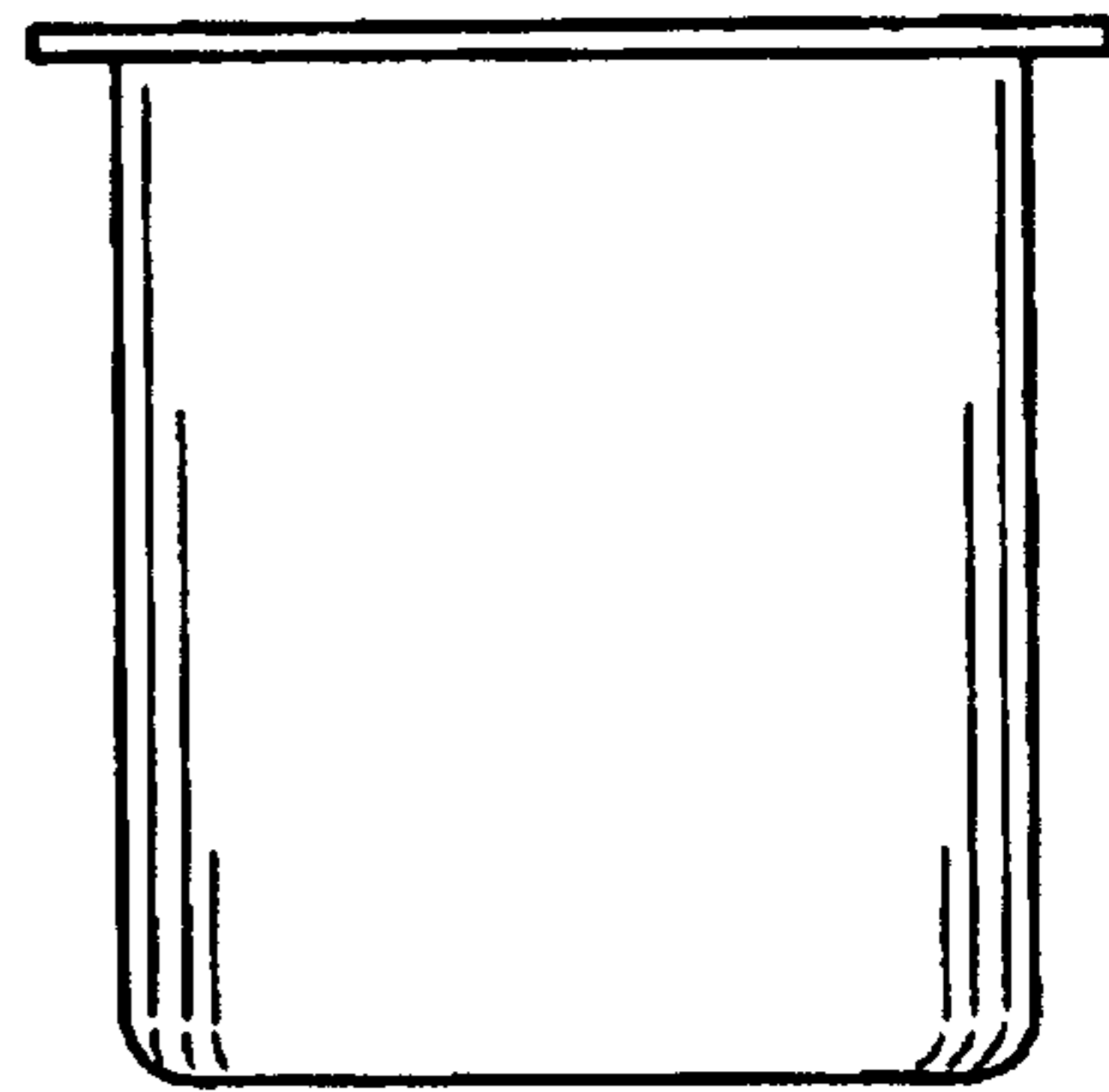


Fig. 5

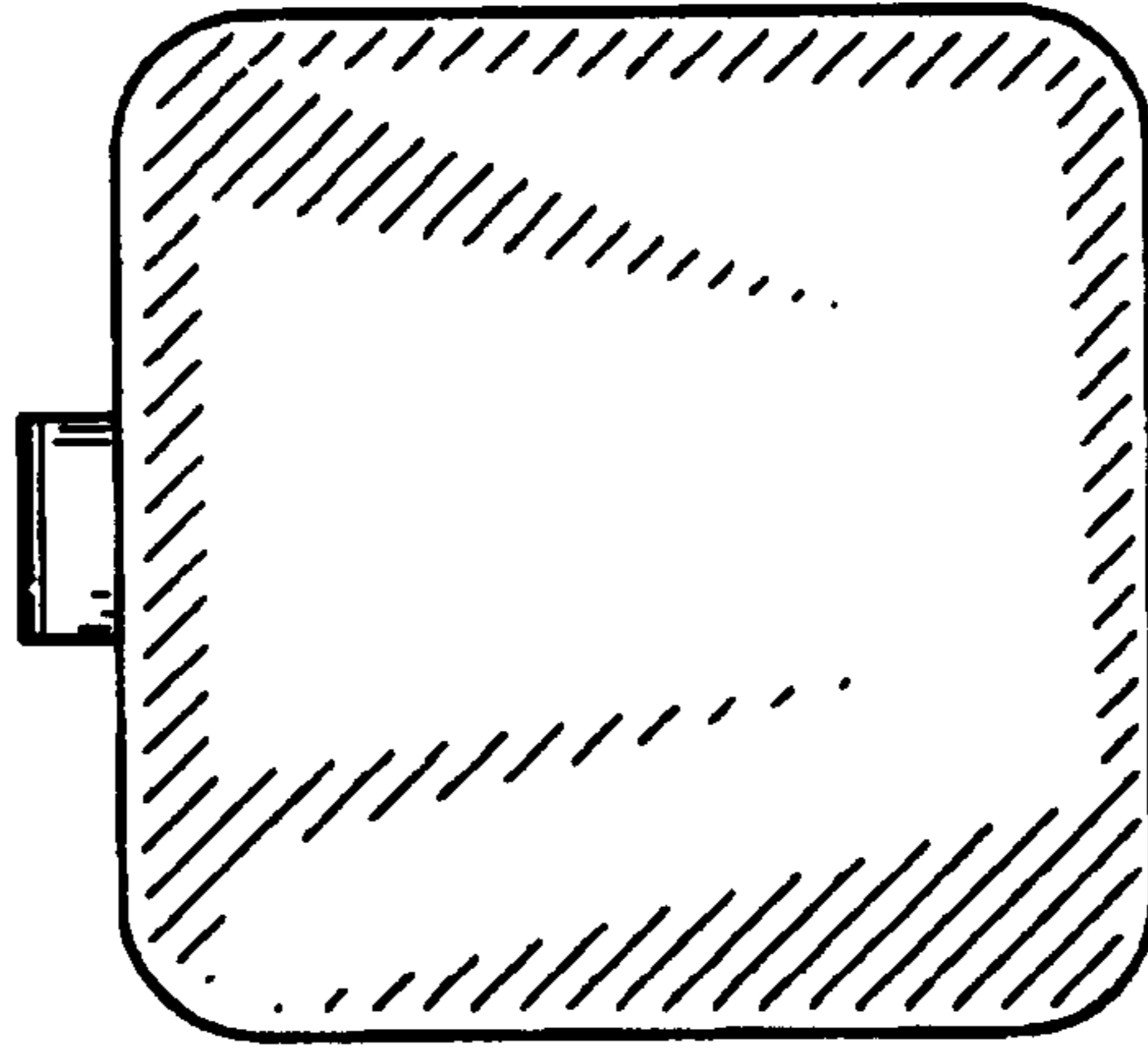


Fig. 6

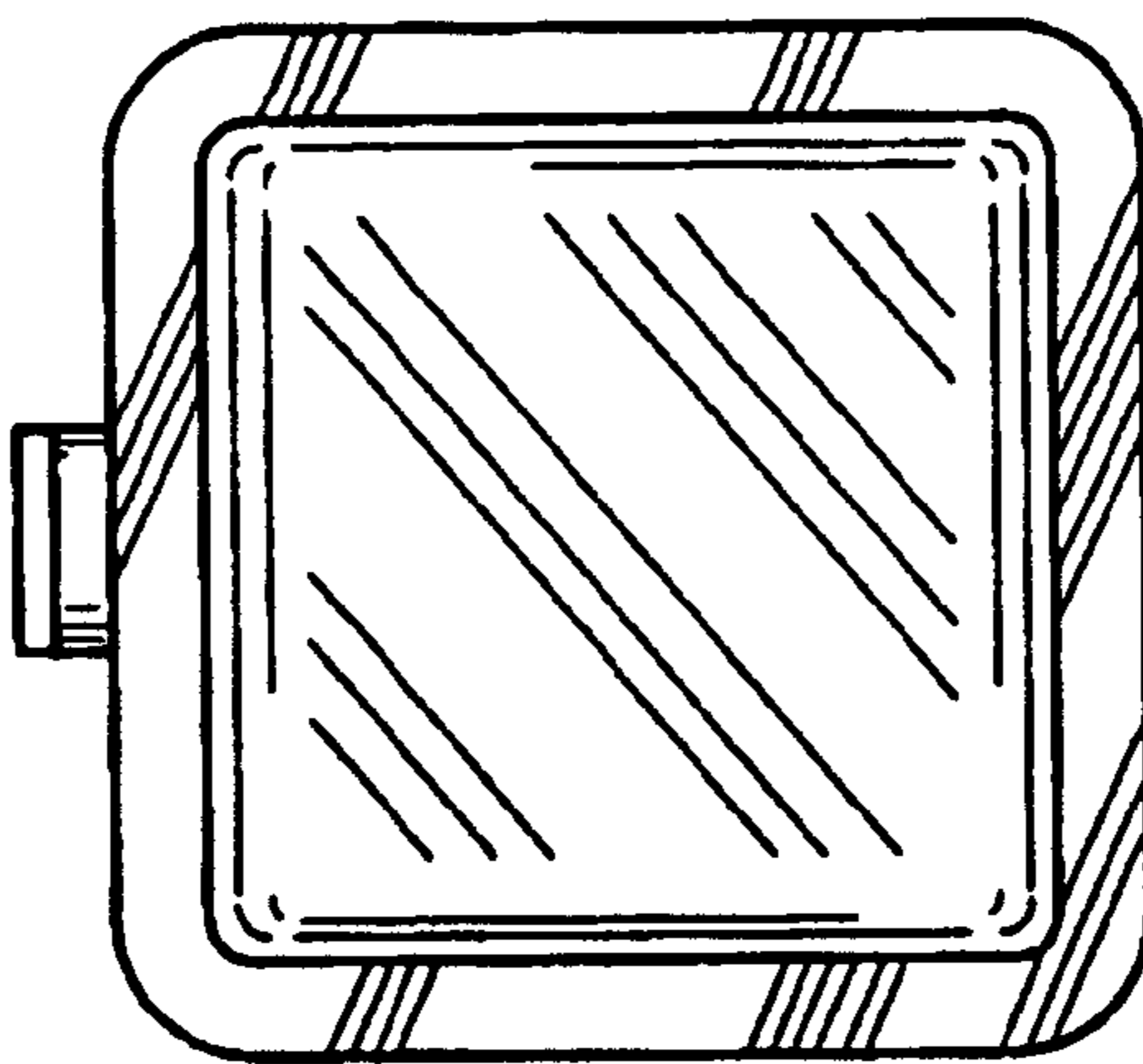


Fig. 7