



US00D479987S

(12) **United States Design Patent**  
**Langan**

(10) **Patent No.:** **US D479,987 S**

(45) **Date of Patent:** **\*\* Sep. 30, 2003**

(54) **TRANSPARENT PACKAGING ASSEMBLY  
SUITABLE FOR MAILING**

5,692,833 A \* 12/1997 DeLuca ..... 383/3  
D397,292 S \* 8/1998 Tabaroni et al. .... D9/416  
D446,445 S \* 8/2001 Croft et al. .... 40/586  
6,520,333 B1 \* 2/2003 Tschantz ..... 206/522

(76) **Inventor:** **Edith J. Langan**, 5002 Longleaf Pine  
Dr., Montgomery, AL (US) 36116

\* cited by examiner

(\*\*) **Term:** **14 Years**

*Primary Examiner*—Paula A. Mortimer

(21) **Appl. No.:** **29/171,060**

(57) **CLAIM**

(22) **Filed:** **Nov. 15, 2002**

The ornamental design for a transparent packaging assembly suitable for mailing, as shown and described.

(51) **LOC (7) Cl.** ..... **09-05**

**DESCRIPTION**

(52) **U.S. Cl.** ..... **D9/306**

(58) **Field of Search** ..... D9/305, 306, 307,  
D9/416, 522, 523, 564; 206/314, 522, 457,  
536; 383/3, 103, 107, 119, 907

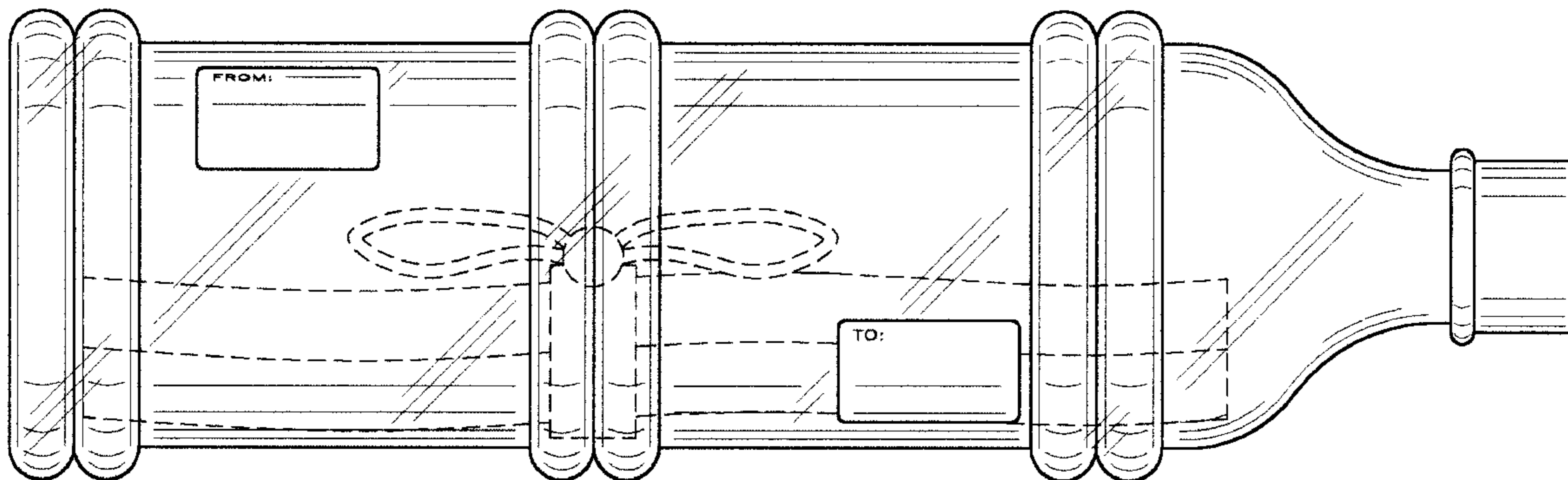
FIG. 1 is a front elevational view of a transparent packaging assembly suitable for mailing showing my new design; FIG. 2 is a side view, taken from the left side of FIG. 1; and, FIG. 3 is a side view, taken from the right side of FIG. 1. The broken lines in all views are for illustrative purposes only and forms no part of the claimed design.

(56) **References Cited**

**U.S. PATENT DOCUMENTS**

D369,544 S \* 5/1996 Culliss ..... D9/305

**1 Claim, 1 Drawing Sheet**



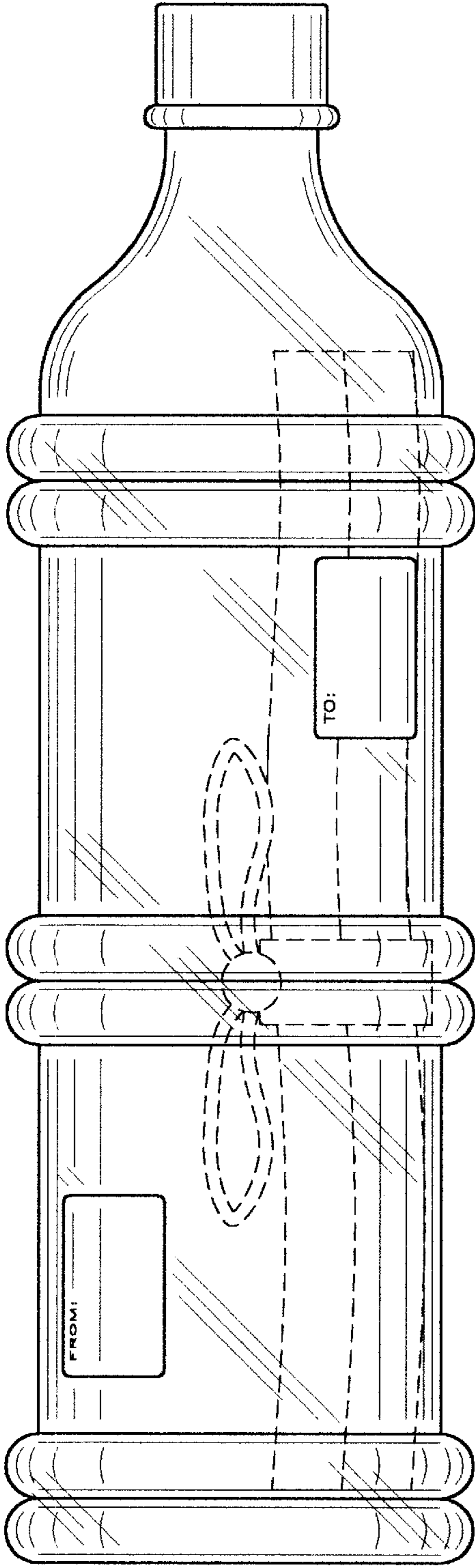


FIG. 1

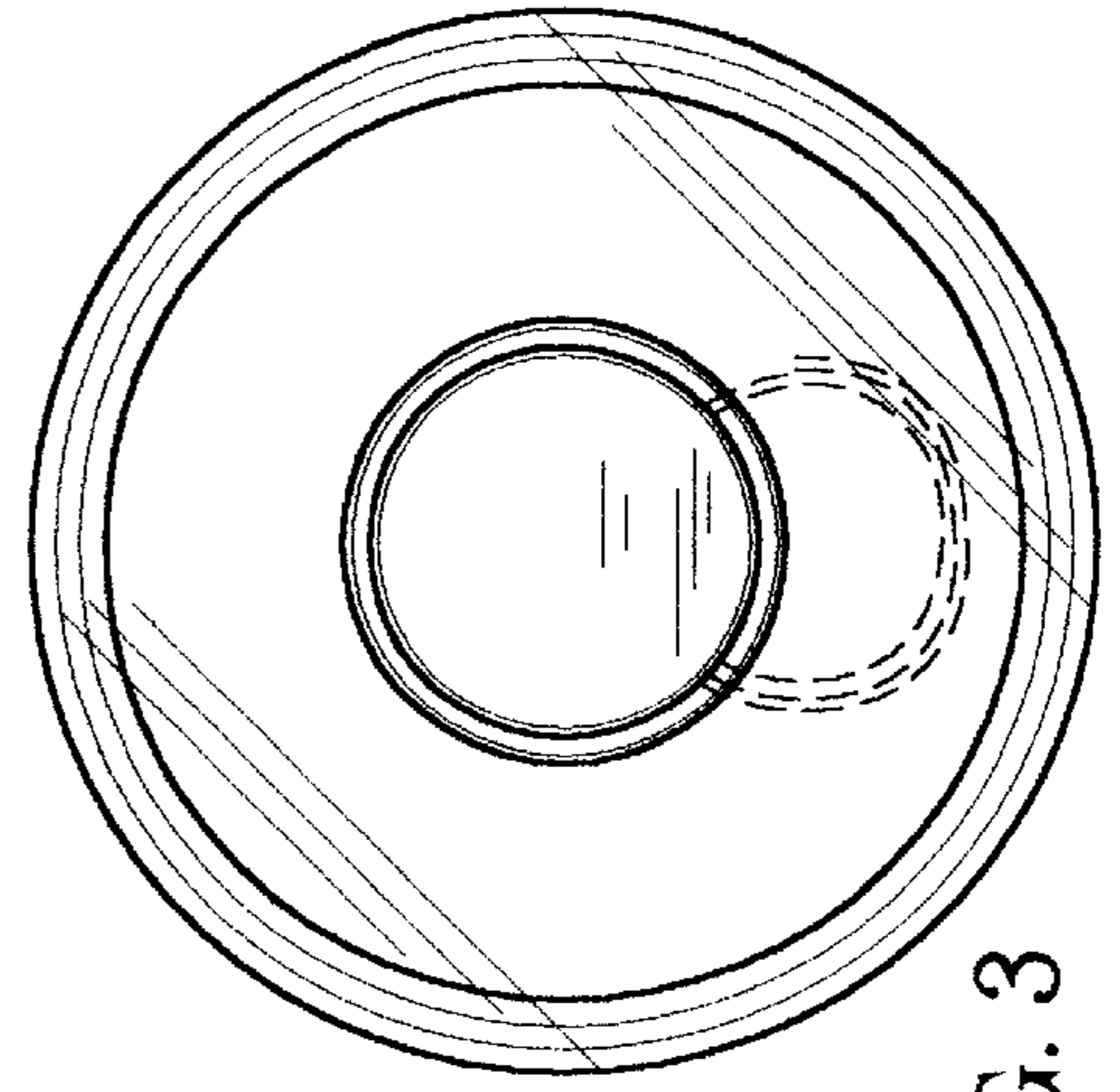


FIG. 3

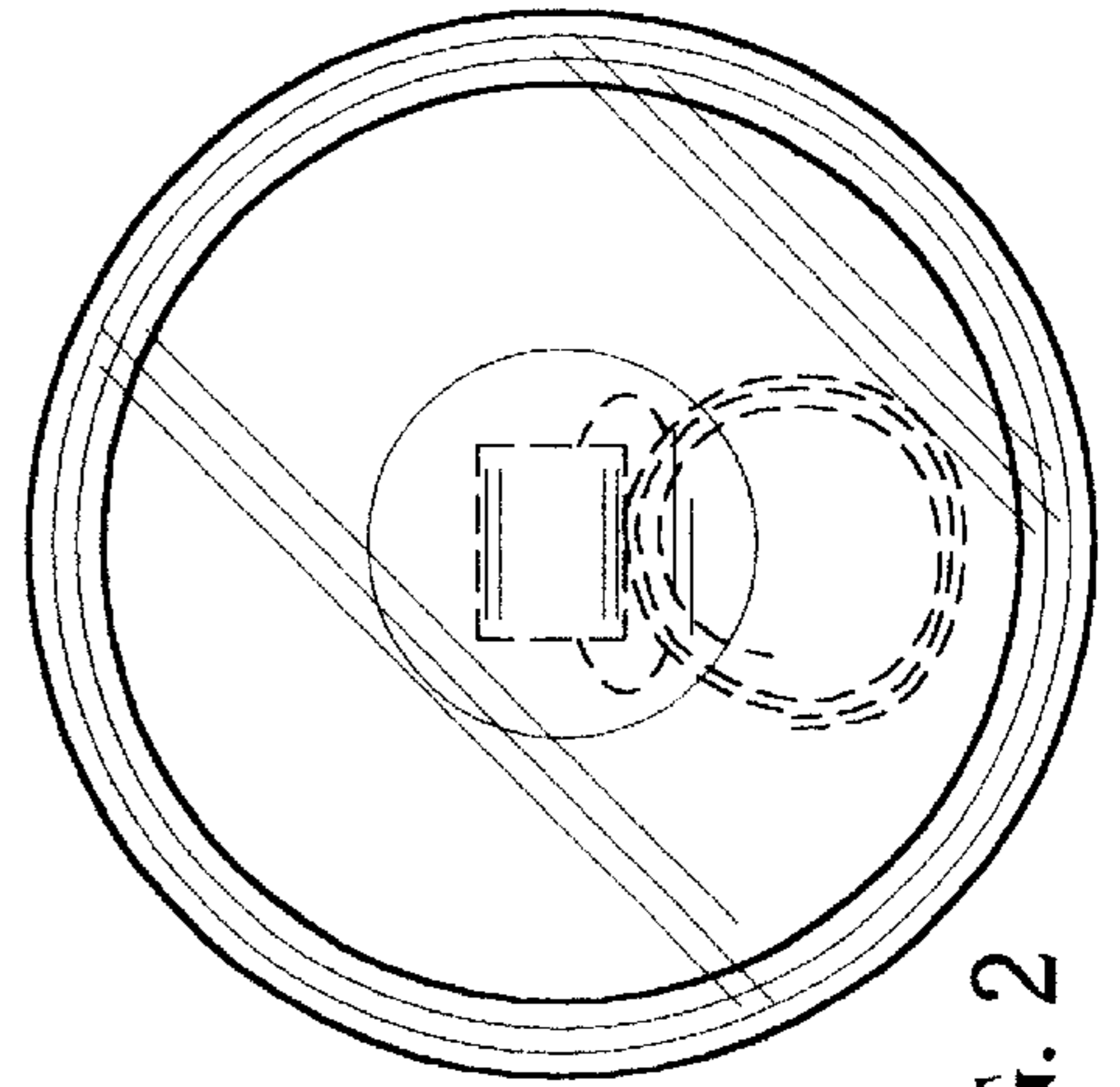


FIG. 2