



US00D479983S

(12) **United States Design Patent**
Wall

(10) **Patent No.:** **US D479,983 S**

(45) **Date of Patent:** **** Sep. 30, 2003**

(54) **CONNECTION ELEMENT FOR SHEET PILES**

(76) **Inventor:** **Georg Wall**, Hans-Graessel-Weg 20,
D-81375 Munich (DE)

(**) **Term:** **14 Years**

(21) **Appl. No.:** **29/154,335**

(22) **Filed:** **Jan. 22, 2002**

(51) **LOC (7) Cl.** **08-08**

(52) **U.S. Cl.** **D8/382; D25/119**

(58) **Field of Search** D8/382, 394, 395,
D8/499; D25/119; 403/DIG. 10, 363, 357,
381; 405/70, 278, 279; 52/579; 248/74.1;
24/67.9, 336, 455, 457, 459, 485, 488,
531, 545, 546, 547, 555, 563, 716, 907,
DIG. 9, DIG. 28

(56) **References Cited**

U.S. PATENT DOCUMENTS

- 1,070,833 A * 8/1913 Neilson 405/278
- 1,171,281 A * 2/1916 Vandevort 405/281
- 1,183,403 A * 5/1916 Quimby, Jr. 405/278
- 3,225,407 A * 12/1965 Daniels 24/457

- 3,688,508 A * 9/1972 Taylor 405/278
- D242,035 S * 10/1976 Drawsky D25/119
- D252,668 S * 8/1979 Rudinski D25/119
- 4,521,035 A * 6/1985 Berezowsky 24/555
- D283,352 S * 4/1986 Bancroft D25/119
- 5,292,208 A * 3/1994 Berger 405/274
- 5,642,557 A * 7/1997 Clews 24/298
- 6,282,762 B1 * 9/2001 Wall 24/346
- 6,430,782 B1 * 8/2002 Torres et al. 24/DIG. 11

* cited by examiner

Primary Examiner—Alan P. Douglas

Assistant Examiner—Clare E. Heflin

(74) *Attorney, Agent, or Firm*—Milde & Hoffberg, LLP

(57) **CLAIM**

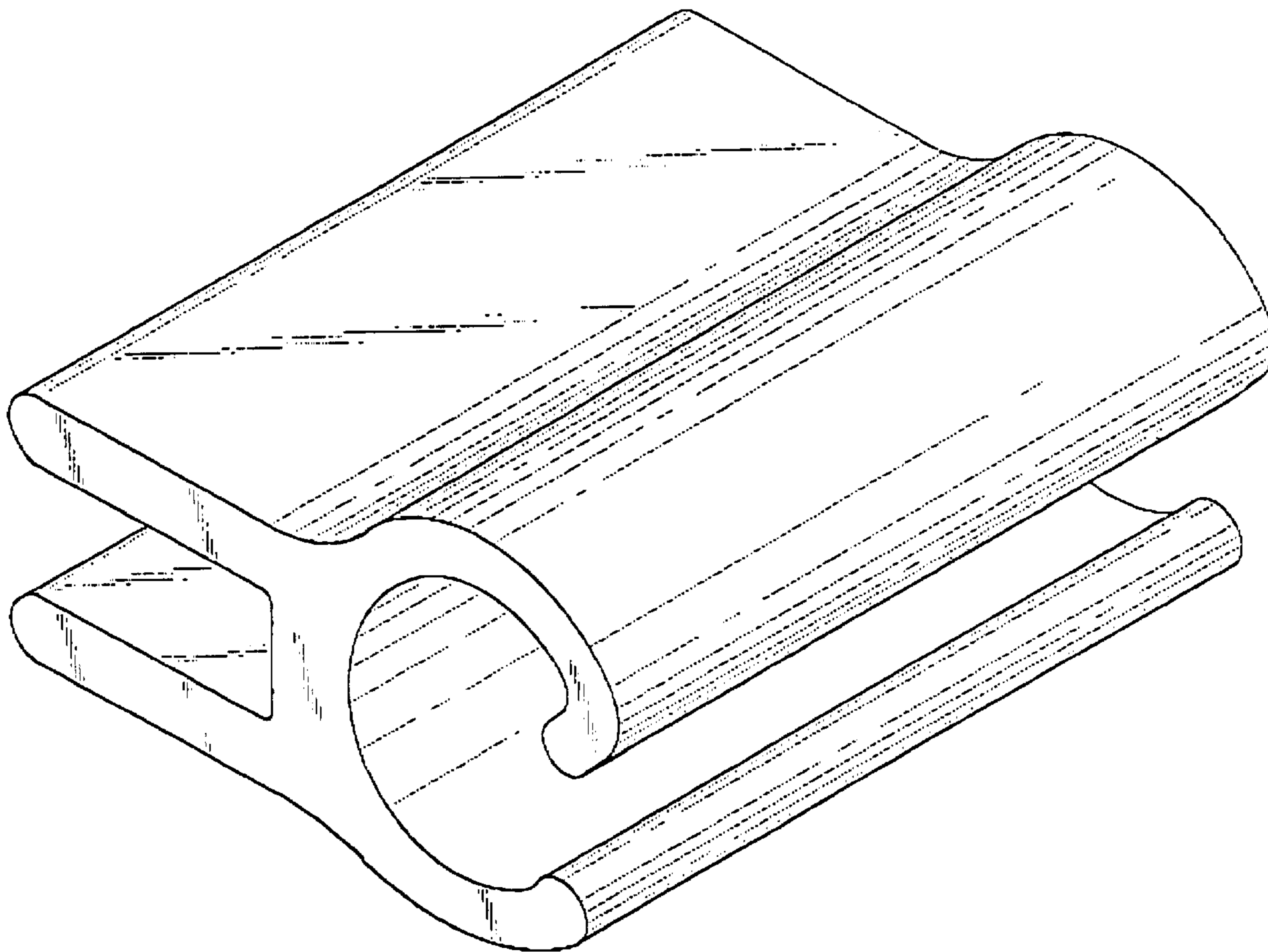
The ornamental design for a connection element for sheet piles, as shown and described.

DESCRIPTION

FIG. 1 is a perspective view of the connection element for sheet piles according to my design; and,

FIG. 2 is an end view of the connection element for sheet piles according to my design.

1 Claim, 2 Drawing Sheets



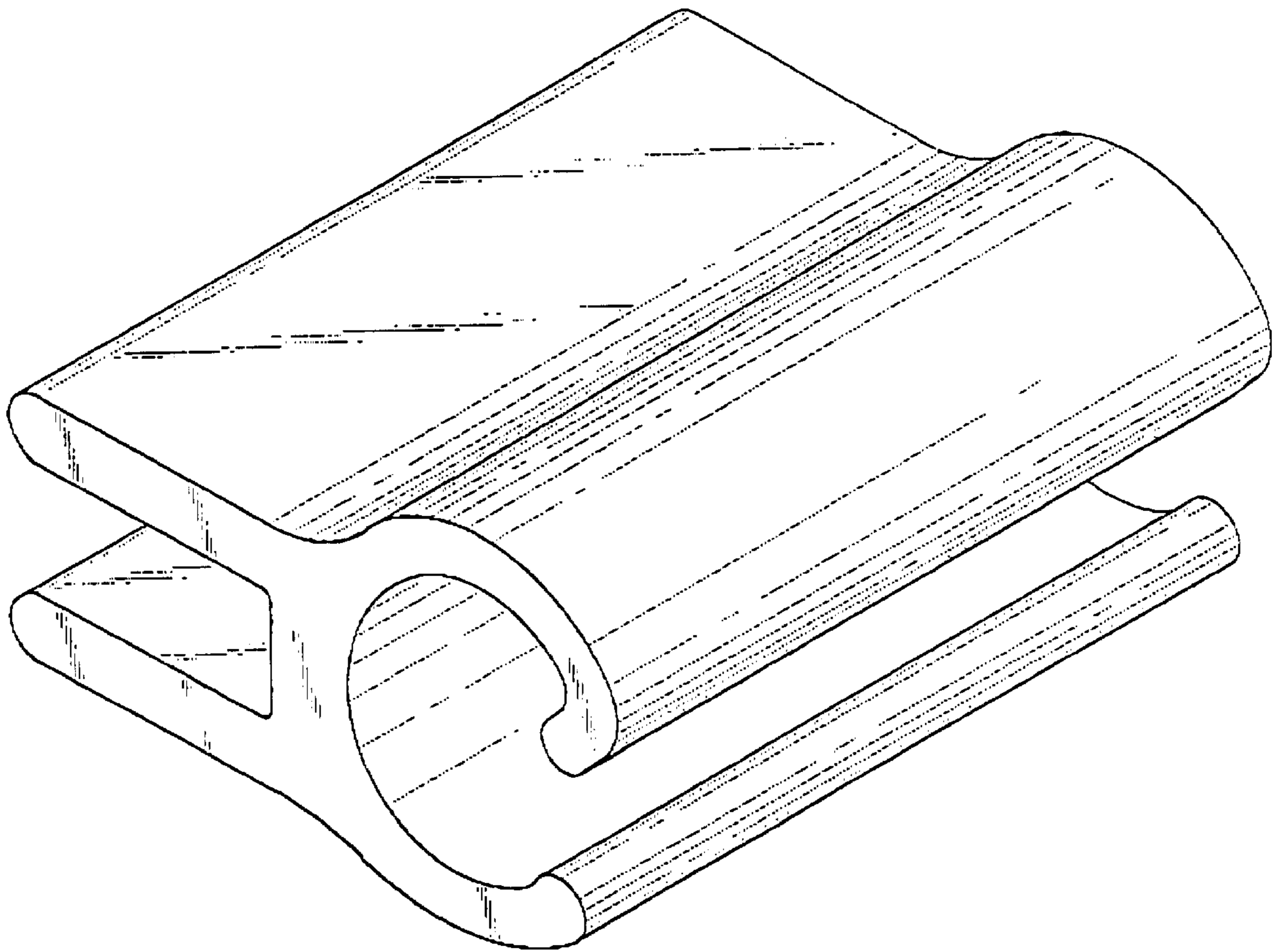


FIG. 1

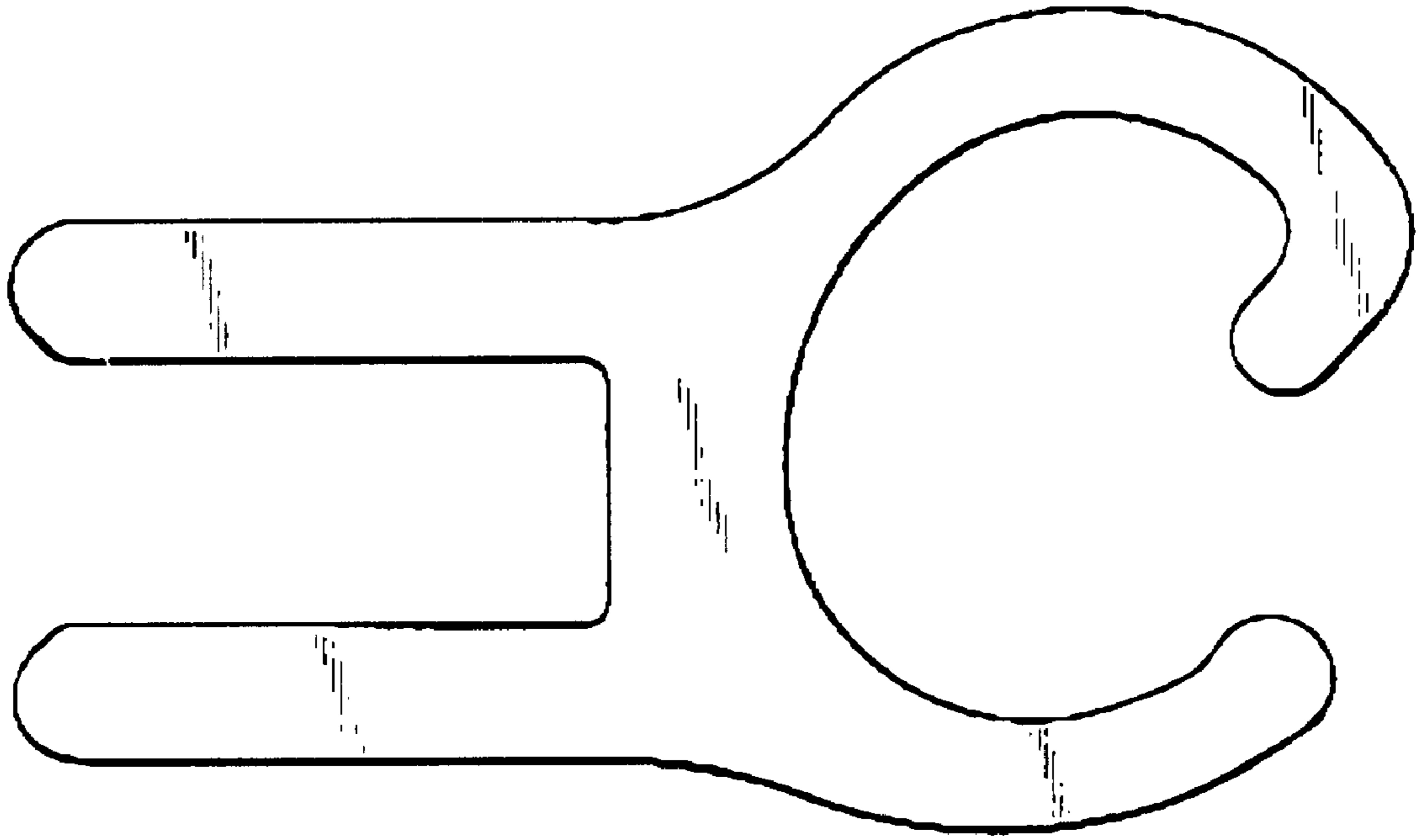


FIG. 2