



US00D479981S

(12) **United States Design Patent**  
**Snell**

(10) **Patent No.:** **US D479,981 S**

(45) **Date of Patent:** **\*\* Sep. 30, 2003**

(54) **OVER DOOR DOUBLE HOOK**

(75) Inventor: **Russell Benton Snell**, Bentleyville, OH (US)

(73) Assignee: **InterDesign, Inc.**, Solon, OH (US)

(\*\*) Term: **14 Years**

(21) Appl. No.: **29/175,620**

(22) Filed: **Feb. 6, 2003**

(51) **LOC (7) Cl.** ..... **08-05**

(52) **U.S. Cl.** ..... **D8/372**

(58) **Field of Search** ..... D8/367, 372; D6/323; 160/348, 349.2; 211/106.01, 13.1, 60.1, 66, 113, 123, 118; 248/489, 216.1, 251, 214-215, 339, 497, 302-304, 231.91; 29/7

(56) **References Cited**

**U.S. PATENT DOCUMENTS**

448,224 A	*	3/1891	Glover	.....	29/7
D32,124 S	*	1/1900	Hutson et al.	.....	D8/366
D247,146 S	*	2/1978	Watt, Jr.	.....	D6/323
D421,713 S		3/2000	Snell		
D421,895 S		3/2000	Snell		
D422,198 S		4/2000	Snell		
D422,199 S		4/2000	Snell		
D422,418 S		4/2000	Snell		
D424,816 S		5/2000	Snell		
D425,316 S		5/2000	Snell		
D425,317 S		5/2000	Snell		
6,223,914 B1		5/2001	Snell		

D446,108 S		8/2001	Snell		
D456,695 S	*	5/2002	Goodman et al.	.....	D8/367
D463,730 S		10/2002	Snell		
D466,396 S		12/2002	Snell		

**OTHER PUBLICATIONS**

*storage organization*, 1999 InterDesign, Inc. product brochure, p. 11 and back cover.  
*decorative hardware*, four pages from 1999 InterDesign, Inc. product brochure.

\* cited by examiner

*Primary Examiner*—Pamela Burgess

(74) *Attorney, Agent, or Firm*—D. Peter Hochberg; Katherine R. Vieyra; Sean Mellino

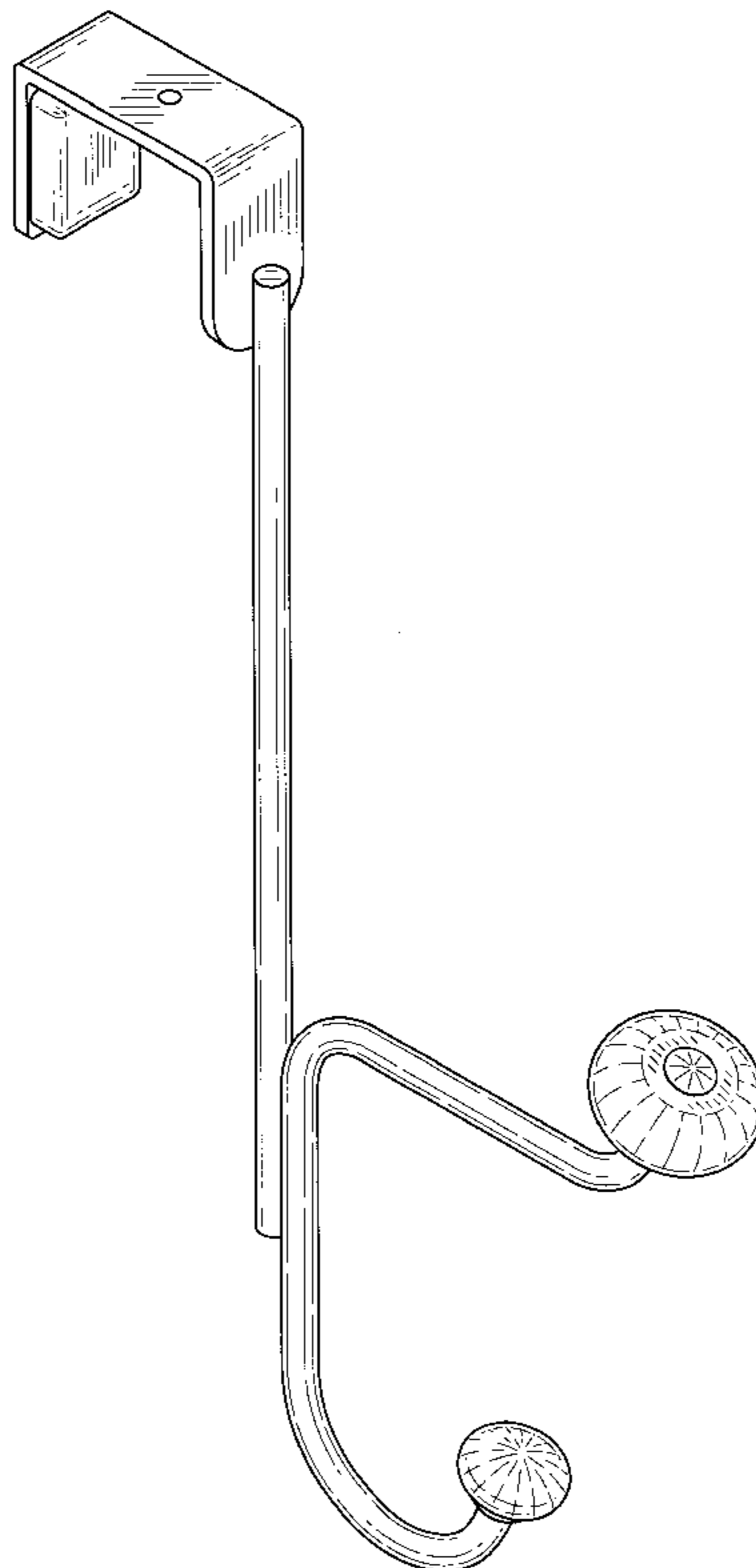
(57) **CLAIM**

The ornamental design for an over door double hook, as shown and described.

**DESCRIPTION**

FIG. 1 is a perspective view of an over door double hook embodying this invention;  
FIG. 2 is a top view of the hook shown in FIG. 1;  
FIG. 3 is a left side elevation view of the hook shown in FIG. 1;  
FIG. 4 is a front view of the hook shown in FIG. 1;  
FIG. 5 is a right side elevation view of the hook shown in FIG. 1;  
FIG. 6 is a rear view of the hook shown in FIG. 1; and,  
FIG. 7 is a bottom view of the hook shown in FIG. 1.

**1 Claim, 3 Drawing Sheets**



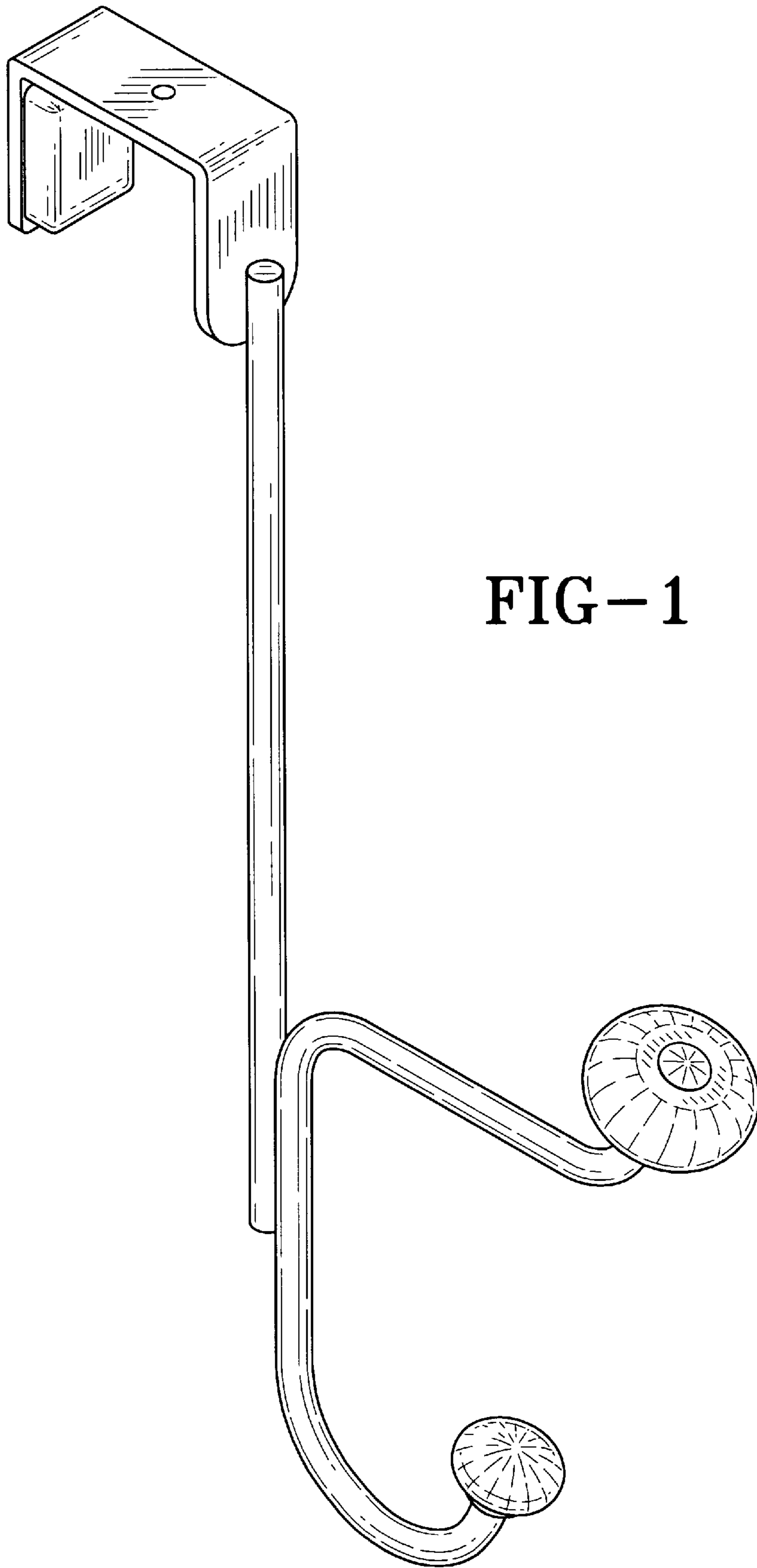


FIG-1



FIG-2

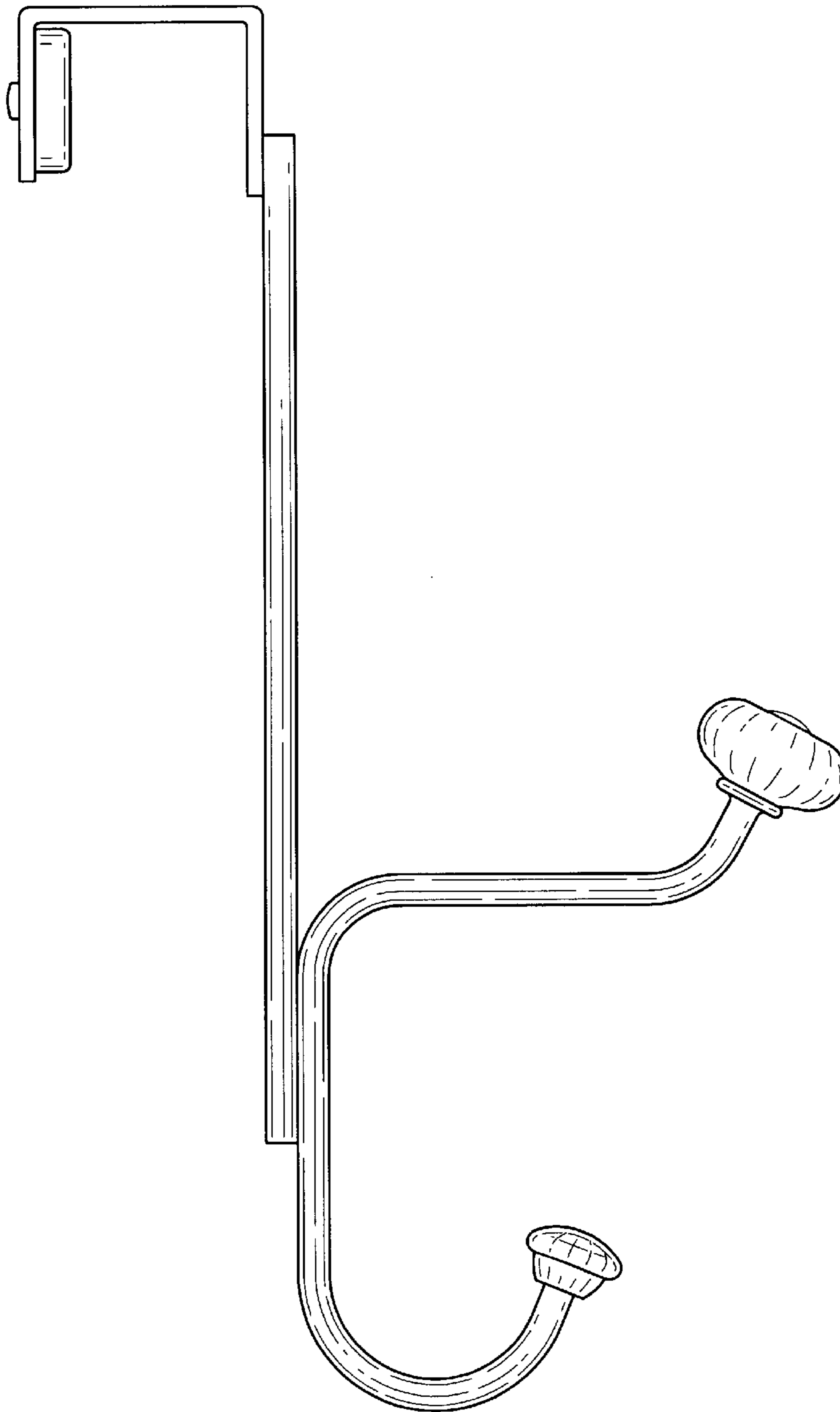


FIG-3

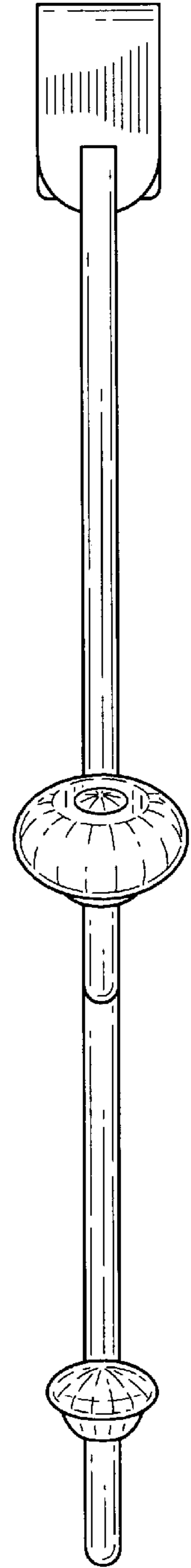


FIG-4

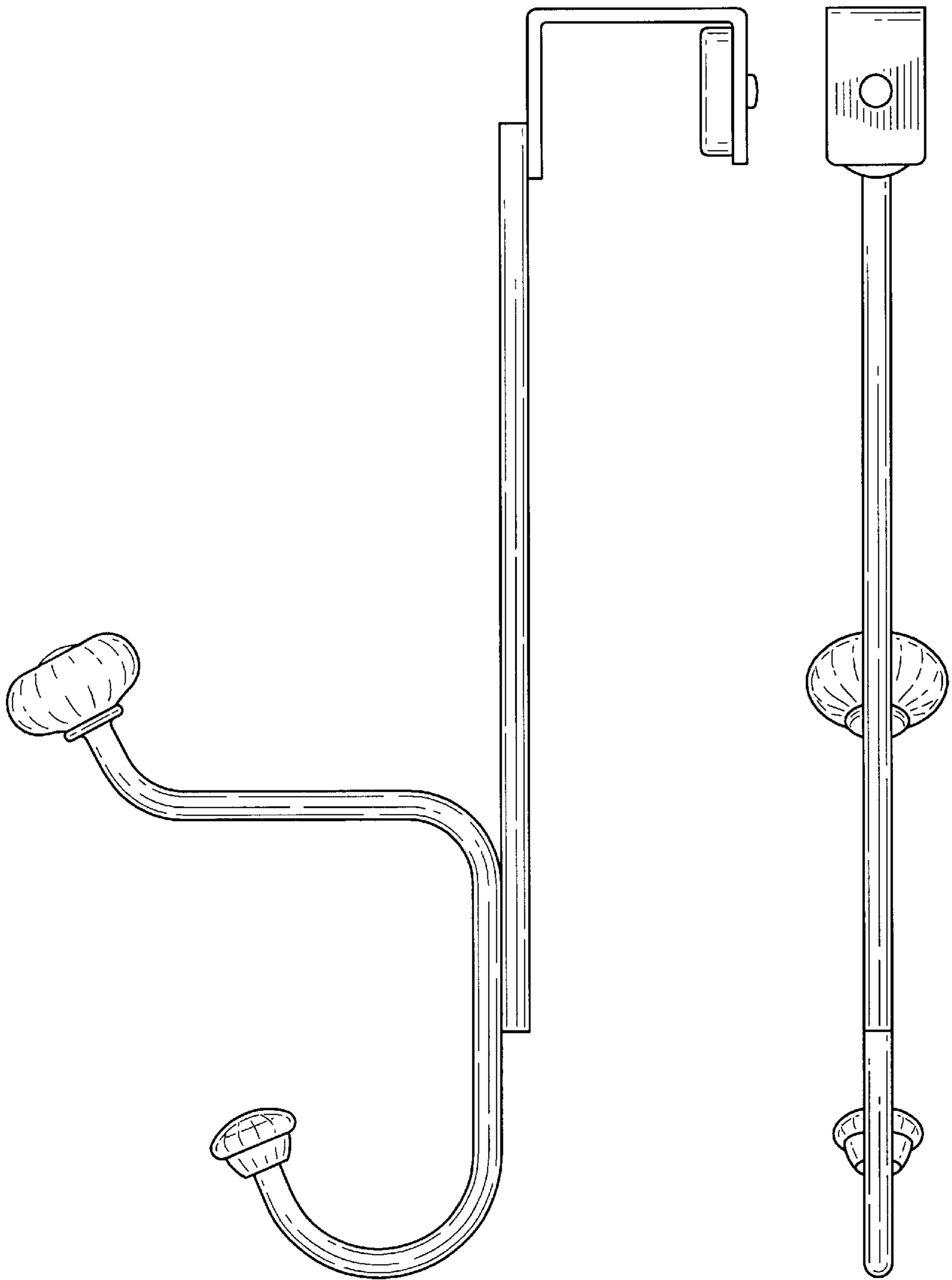


FIG-5

FIG-6

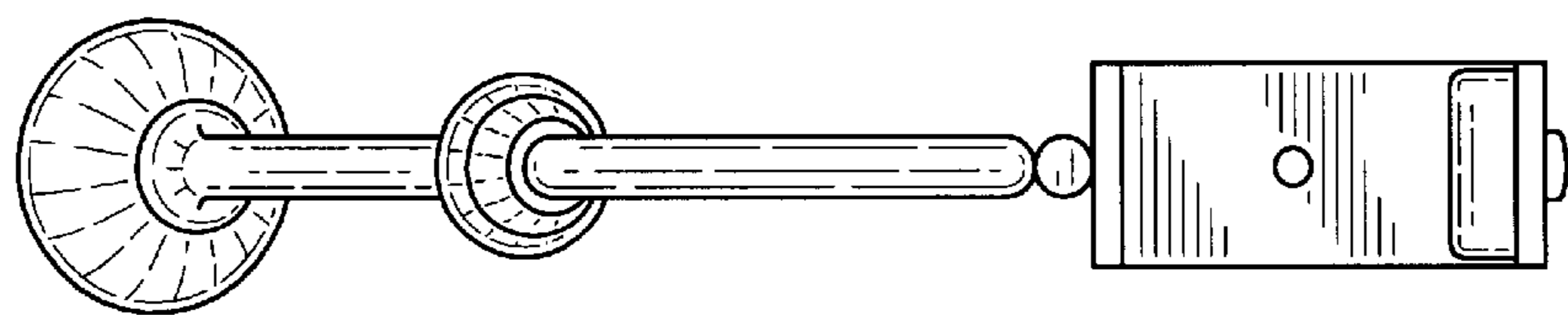


FIG-7