



US00D479980S

(12) **United States Design Patent**
Utz

(10) **Patent No.:** **US D479,980 S**

(45) **Date of Patent:** **** Sep. 30, 2003**

(54) **CABLE LOOP**

6,279,208 * 8/2001 Gillis 24/343
D461,705 * 8/2002 Bentrim D8/371

(75) Inventor: **Zachary Utz**, North Canton, OH (US)

* cited by examiner

(73) Assignee: **Diebold Self Service Systems, a
division of Diebold, Incorporated,**
North Canton, OH (US)

Primary Examiner—Holly Baynham
(74) *Attorney, Agent, or Firm*—Nancy Lynn Reeves; Ralph
E. Jocke; Walker & Jocke

(**) Term: **14 Years**

(57) **CLAIM**

(21) Appl. No.: **29/177,417**

I claim the ornamental design for a cable loop, as shown.

(22) Filed: **Mar. 10, 2003**

DESCRIPTION

(51) **LOC (7) Cl.** **08-05**

(52) **U.S. Cl.** **D8/367**

(58) **Field of Search** D8/367, 356, 395,
D8/394; 24/343, 115 H, 115 R, 336, 339

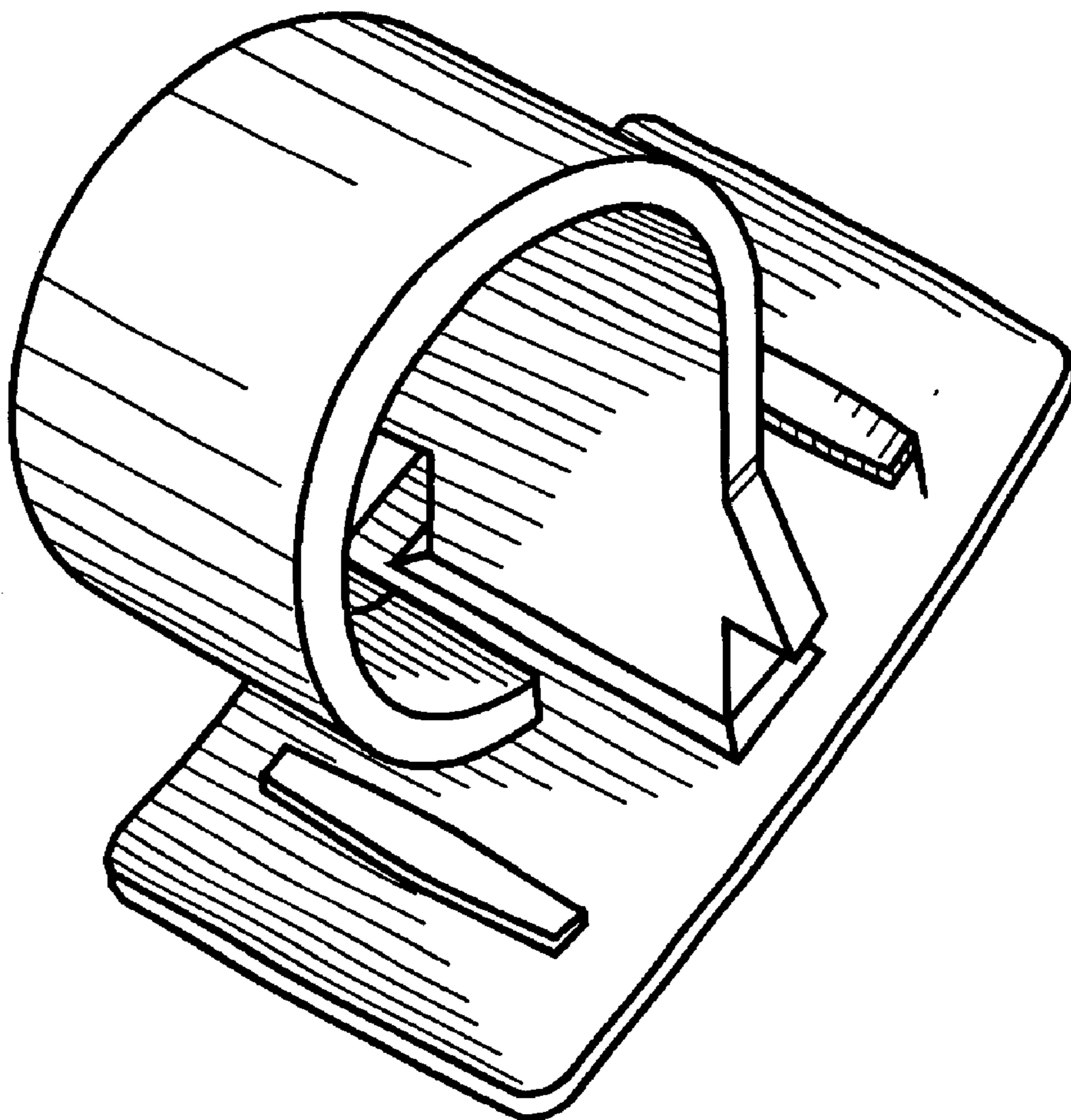
FIG. 1 is a top view of the top of the cable loop.
FIG. 2 is a side view thereof.
FIG. 3 is a rear elevational view thereof;
FIG. 4 is a front elevation view thereof; and,
FIG. 5 is a reduced scale front, side perspective view
thereof.

(56) **References Cited**

U.S. PATENT DOCUMENTS

D408,271 * 4/1999 Ohnemus D8/367

1 Claim, 2 Drawing Sheets



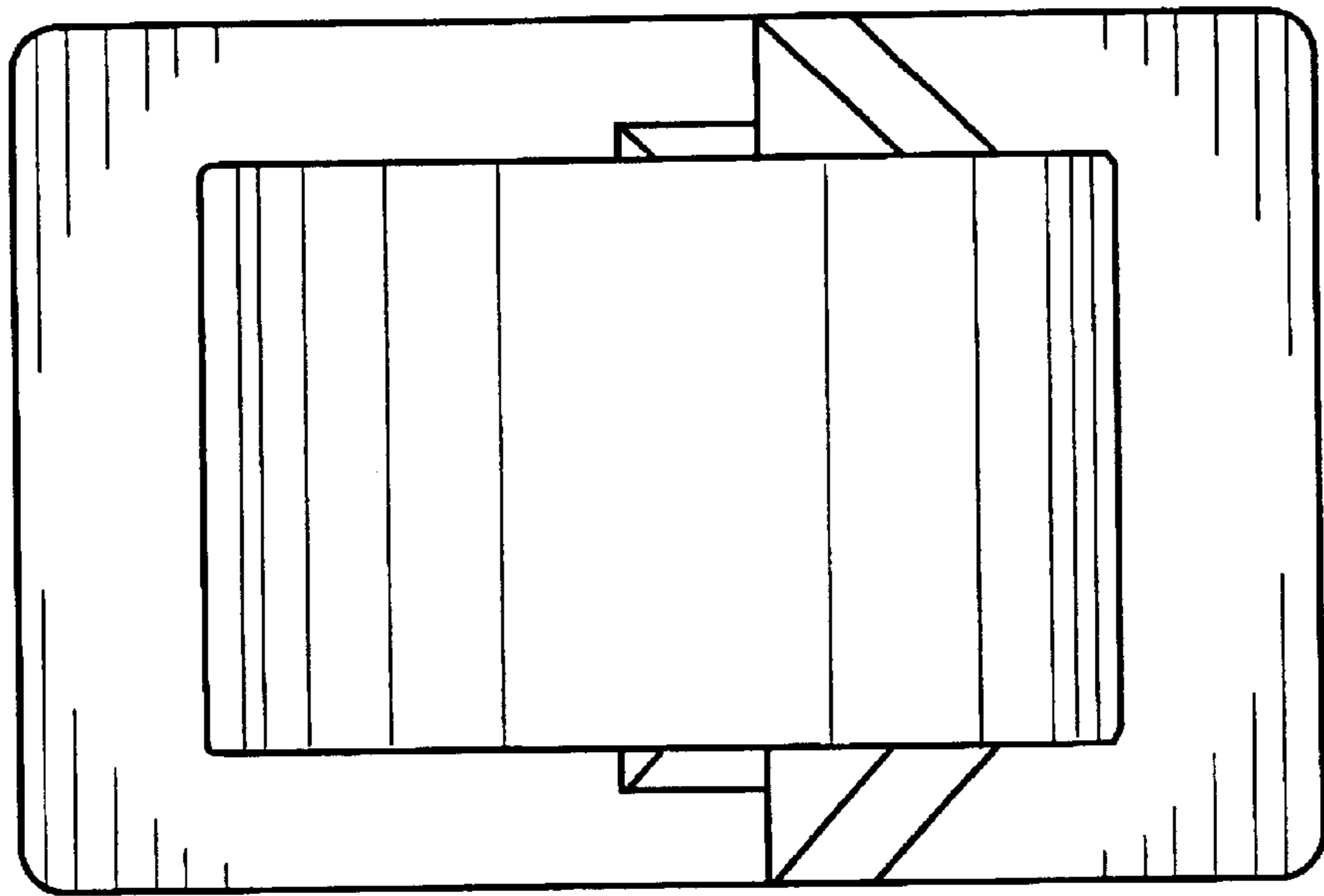


Fig 1

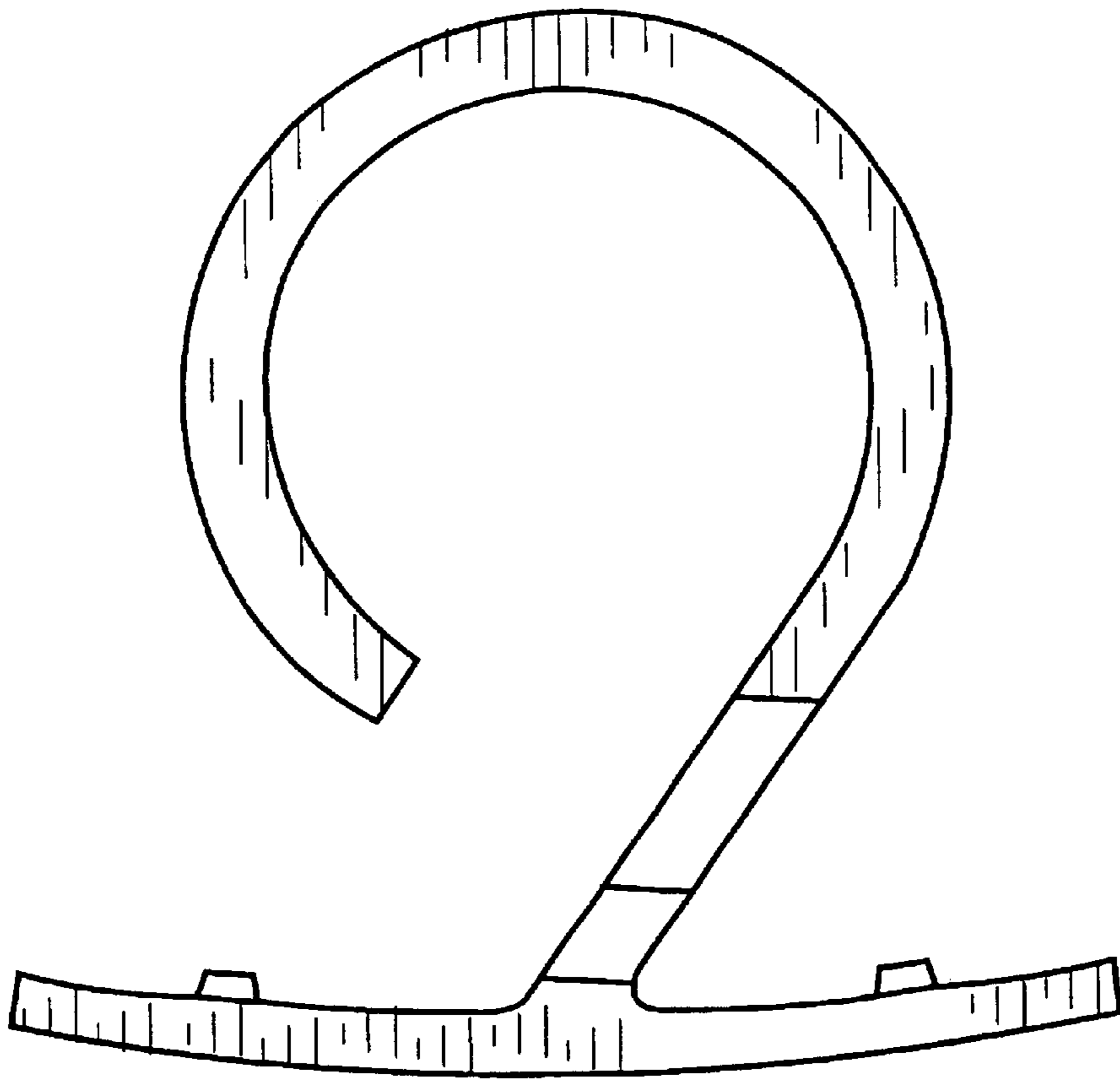


Fig 2

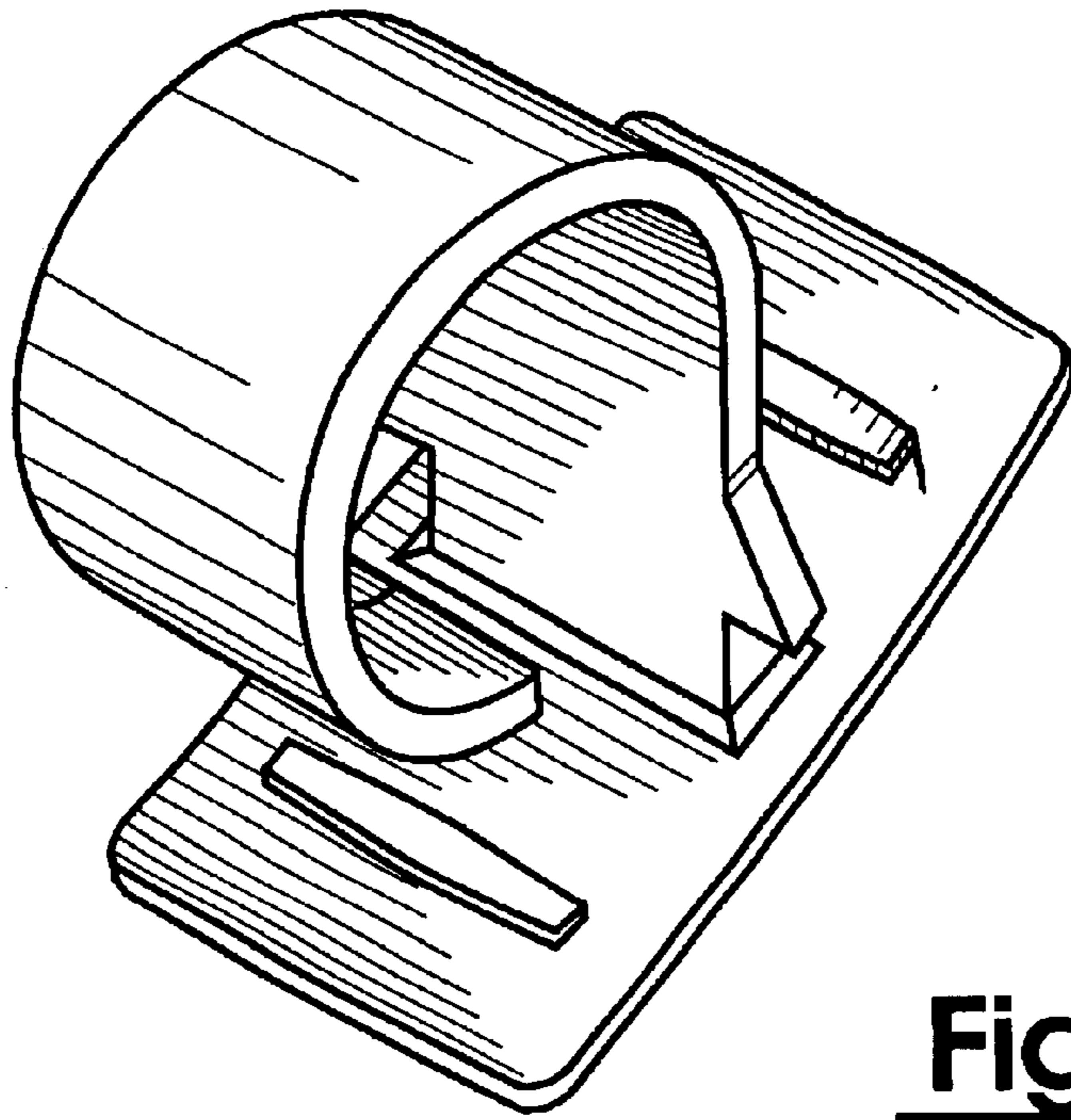


Fig 5

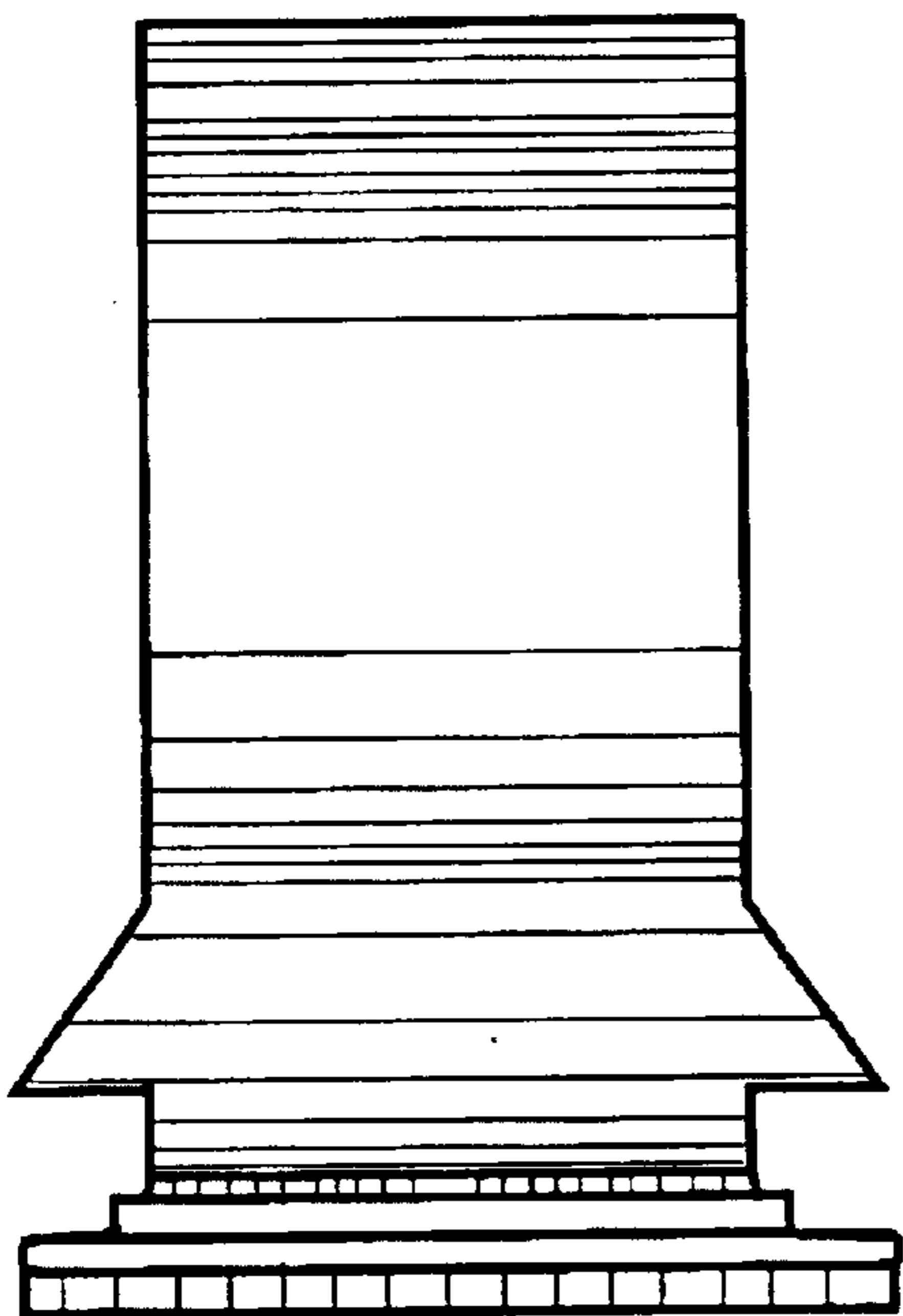


Fig 3

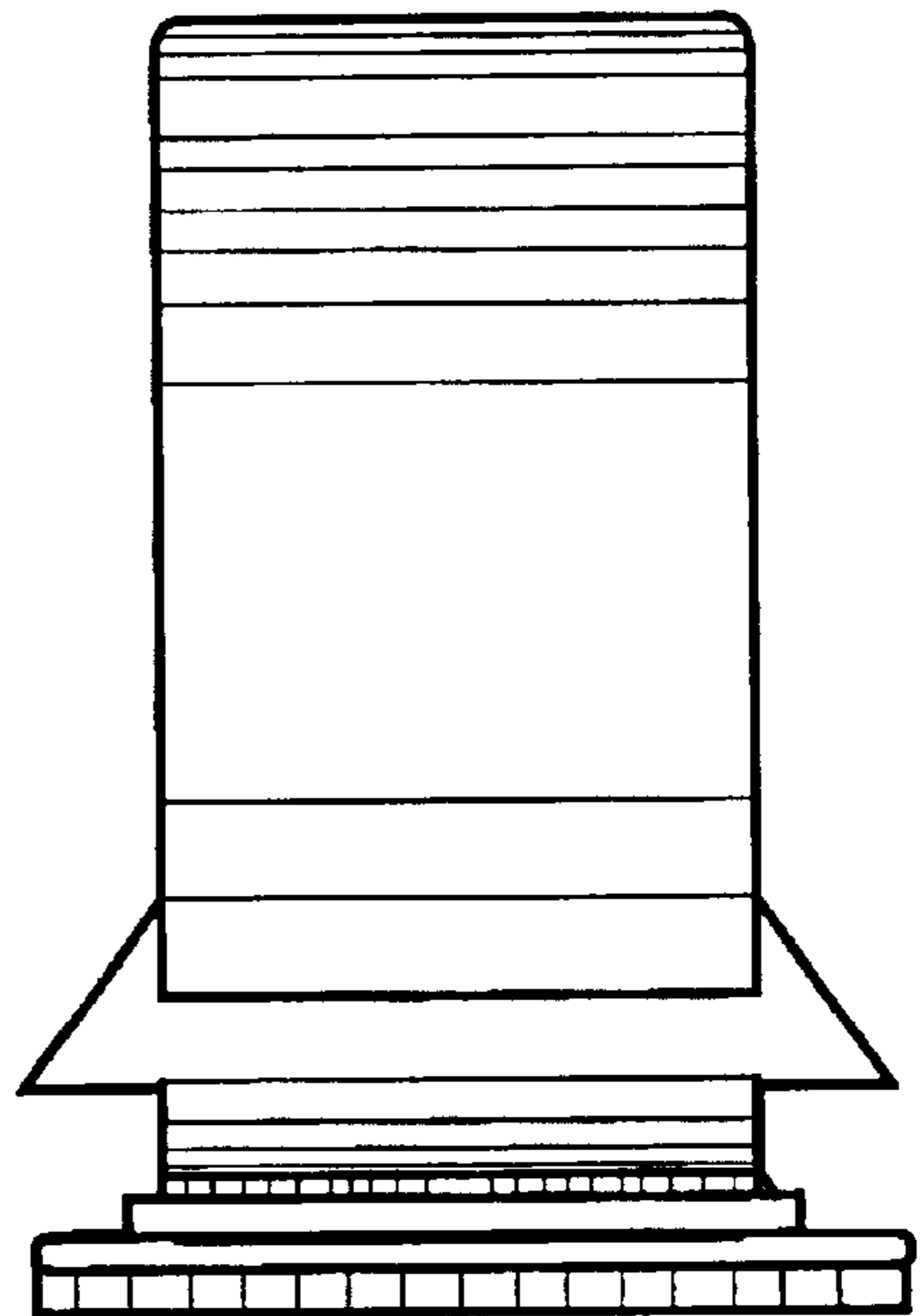


Fig 4