



US00D479979S

(12) **United States Design Patent**
Kovacik et al.

(10) **Patent No.: US D479,979 S**

(45) **Date of Patent: ** Sep. 30, 2003**

(54) **AIR HOSE REEL**

(75) Inventors: **James D. Kovacik**, Brecksville, OH (US); **Paul S. Blanch**, Broadview Heights, OH (US); **Joseph J. Smith**, Wooster, OH (US)

(73) Assignee: **Alert Stamping & Mfg. Co, INC**, Bedford Heights, OH (US)

(**) Term: **14 Years**

(21) Appl. No.: **29/176,569**

(22) Filed: **Feb. 24, 2003**

(51) **LOC (7) Cl. 08-05**

(52) **U.S. Cl. D8/358**

(58) **Field of Search** D8/356, 358, 359, D8/360.1; D13/137.4, 153, 154; D22/137; 137/355.16, 355.26; 191/12.2 R; 242/378.1, 379, 379.2, 380, 385.1, 388, 388.1, 388.5, 395, 398, 404.3, 405, 405.3, 600, 608, 609, 609.1, 609.4; 439/4, 501

(56) **References Cited**

U.S. PATENT DOCUMENTS

3,099,415	A	*	7/1963	Matsuura	242/586.5
3,619,518	A		11/1971	Blanch et al.		
3,715,526	A		2/1973	Blanch et al.		
3,808,382	A		4/1974	Blanch et al.		
4,244,536	A	*	1/1981	Harrill	242/405.3
D260,073	S		8/1981	Wells		
4,350,850	A		9/1982	Kovacik et al.		
4,467,979	A	*	8/1984	Koehler	242/397
4,520,239	A	*	5/1985	Schwartz	191/12.4
D289,492	S		4/1987	Clivio et al.		
4,725,697	A		2/1988	Kovacik et al.		
4,726,538	A		2/1988	Kovacik et al.		
D296,661	S		7/1988	Kovacik et al.		
D313,167	S		12/1990	Kovacik et al.		
D374,166	S		10/1996	Czerwinski et al.		
5,645,147	A		7/1997	Kovacik et al.		
5,666,992	A	*	9/1997	Robins	137/355.23
5,732,733	A	*	3/1998	Negus et al.	137/355.27

D419,426	S		1/2000	Kovacik et al.		
D431,179	S		9/2000	Kovacik et al.		
D432,084	S		10/2000	Miller		
D434,000	S		11/2000	Miller		
6,170,775	B1	*	1/2001	Kovacik et al.	242/379.2
6,186,433	B1	*	2/2001	Kovacik et al.	242/395
6,273,354	B1		8/2001	Kovacik et al.		
D448,651	S	*	10/2001	Kovacik et al.	D8/358
6,439,360	B1		8/2002	Miller		
D468,189	S	*	1/2003	Kovacik et al.	D8/358

* cited by examiner

Primary Examiner—Doris V. Coles

Assistant Examiner—Elizabeth Albert

(74) *Attorney, Agent, or Firm*—MacMillan, Sobanski & Todd, LLC

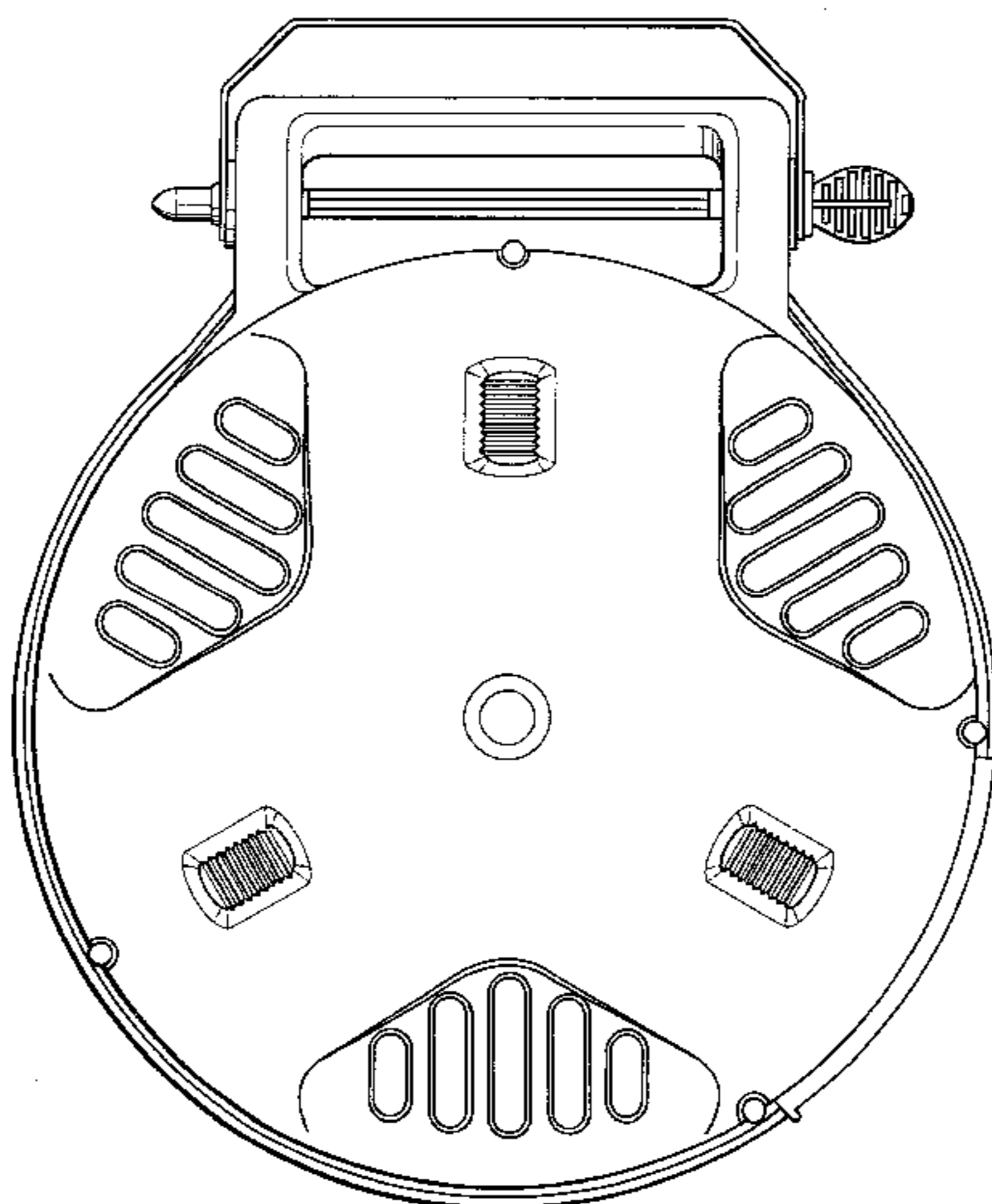
(57) **CLAIM**

We claim the ornamental design for the air hose reel, as shown and described.

DESCRIPTION

FIG. 1 is a front perspective view of the air hose reel of the present invention;
 FIG. 2 is a front elevation view on a reduced scale thereof;
 FIG. 3 is a rear elevation view on a reduced scale thereof;
 FIG. 4 is a bottom plan view on a reduced scale thereof;
 FIG. 5 is a top plan view on a reduced scale thereof;
 FIG. 6 is a right side elevation view on a reduced scale thereof;
 FIG. 7 is a left side elevation view on a reduced scale thereof;
 FIG. 8 is a front perspective view of an alternate embodiment of the air hose reel of the present invention;
 FIG. 9 is a front elevation view on a reduced scale thereof;
 FIG. 10 is a rear elevation view on a reduced scale thereof;
 FIG. 11 is a bottom plan view on a reduced scale thereof;
 FIG. 12 is a top plan view on a reduced scale thereof;
 FIG. 13 is a right side elevation view on a reduced scale thereof; and,
 FIG. 14 is a left side elevation view on a reduced scale thereof.

1 Claim, 10 Drawing Sheets



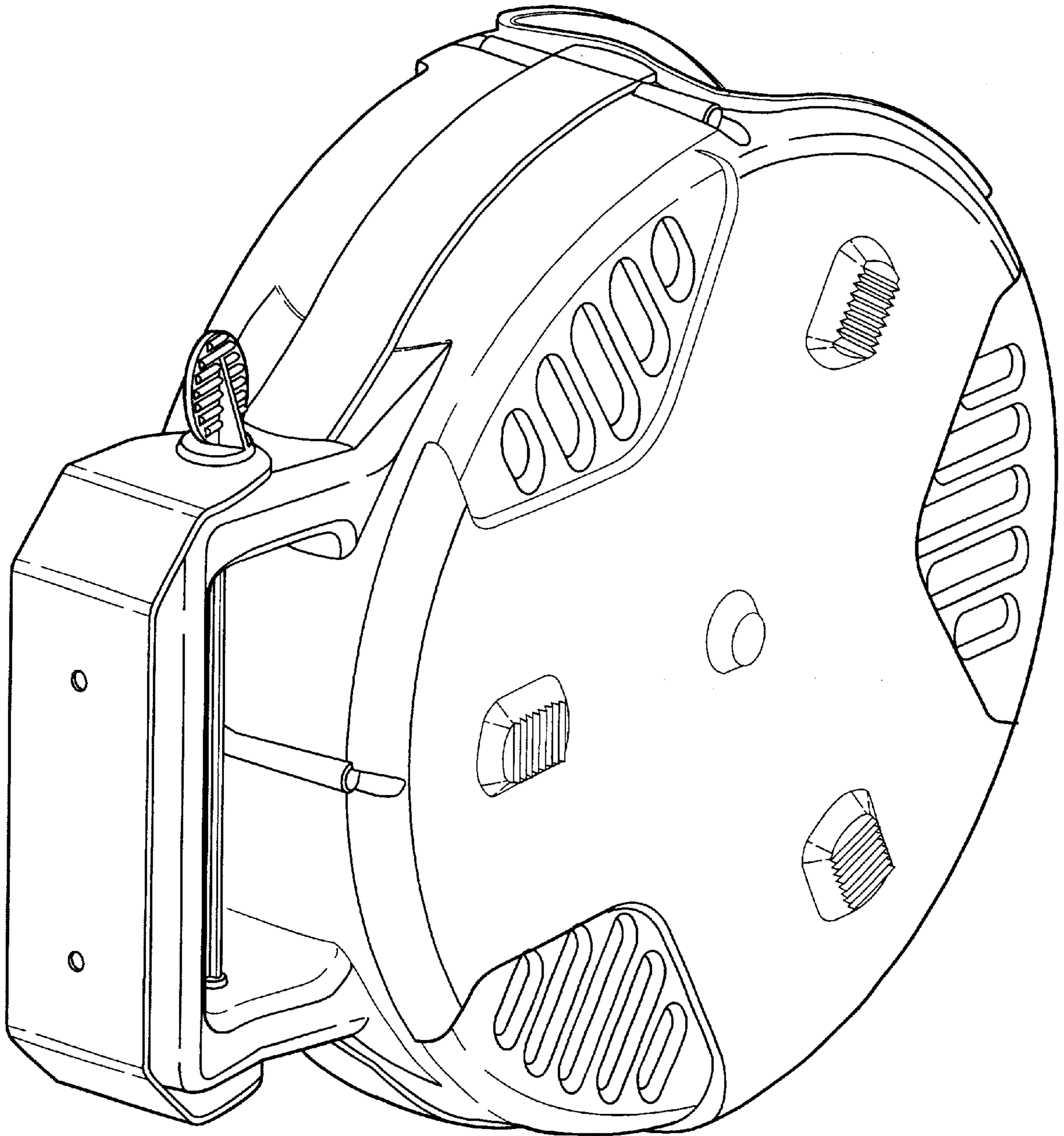


FIG - 1

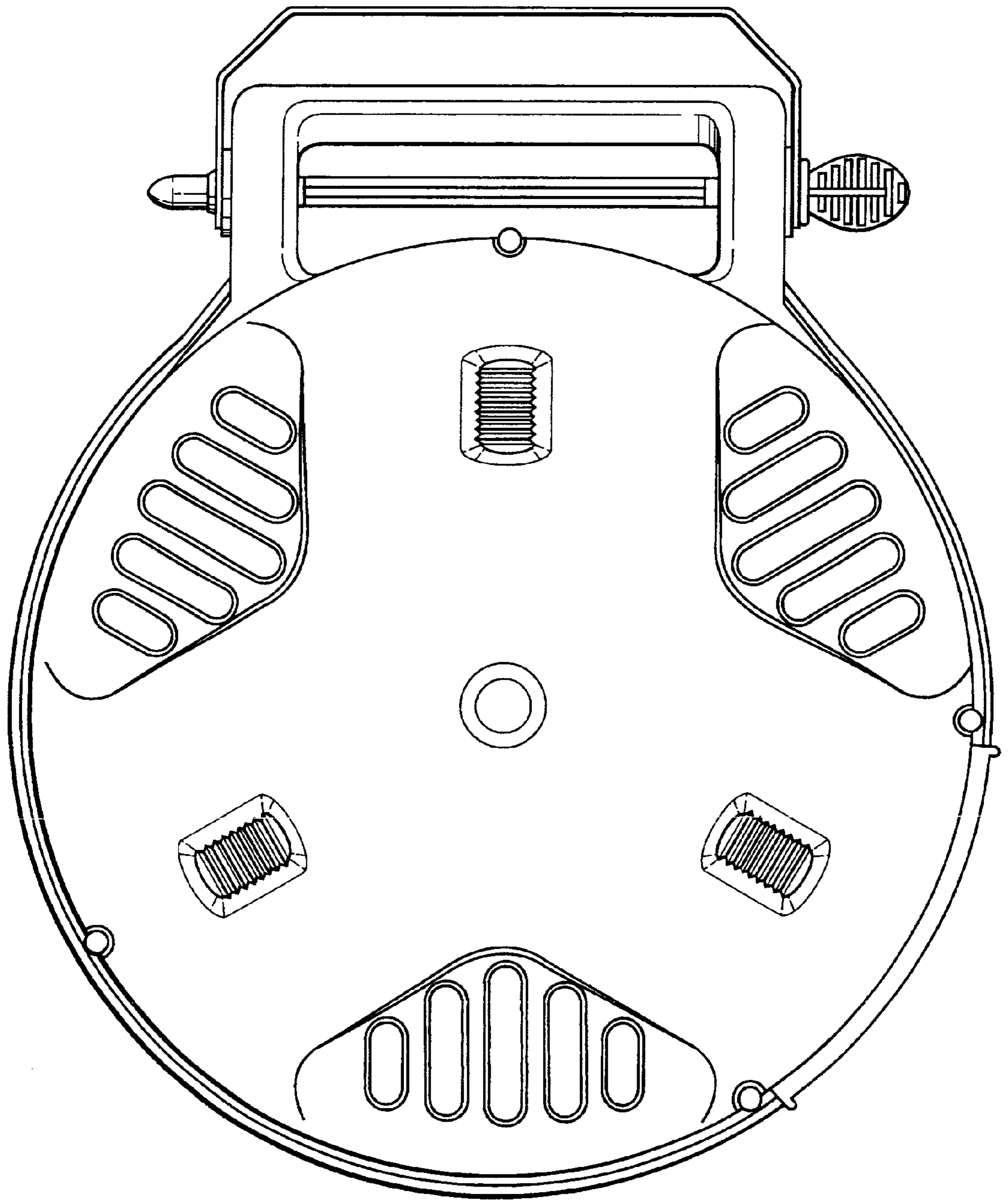


FIG - 2

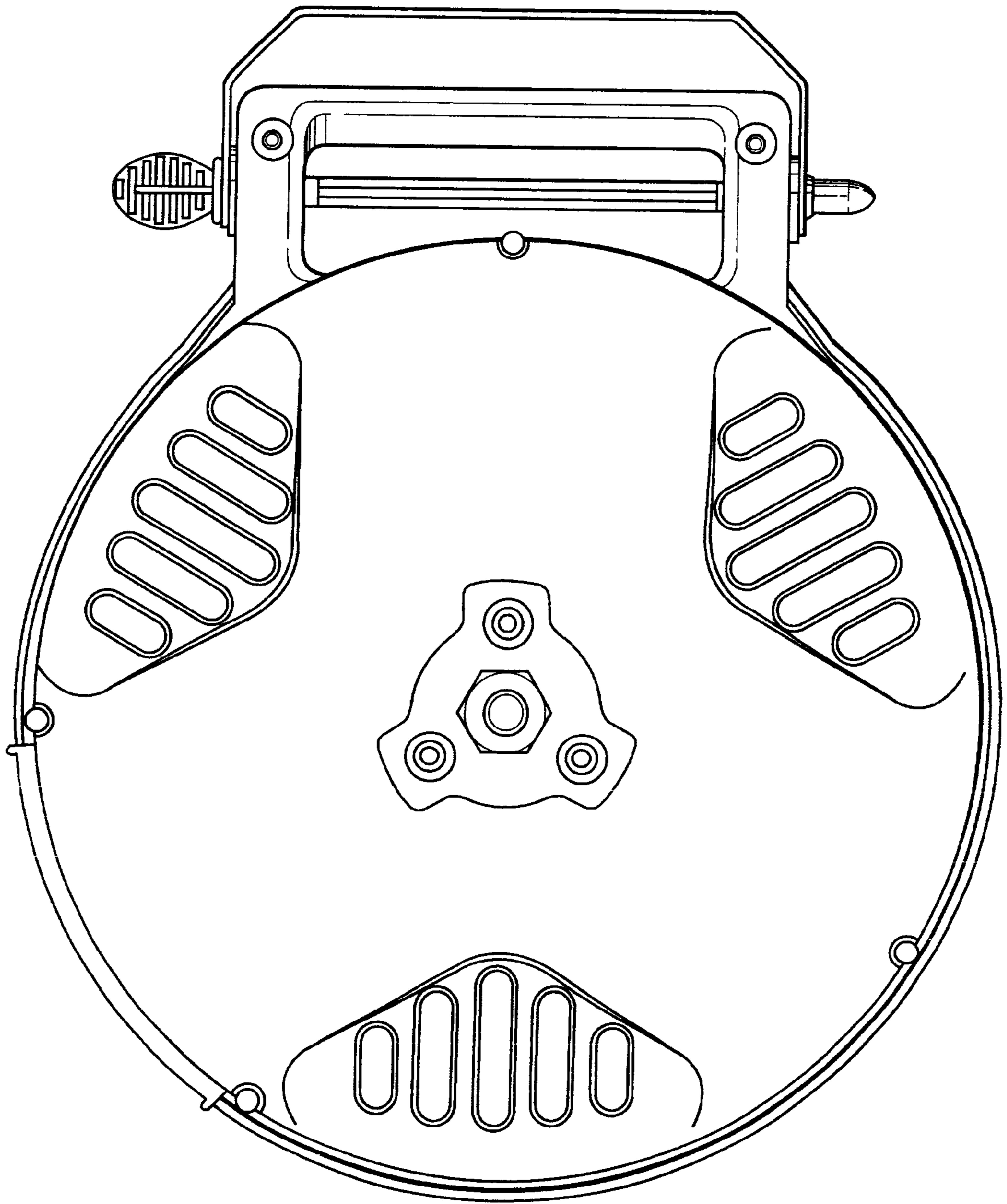


FIG - 3

FIG - 5

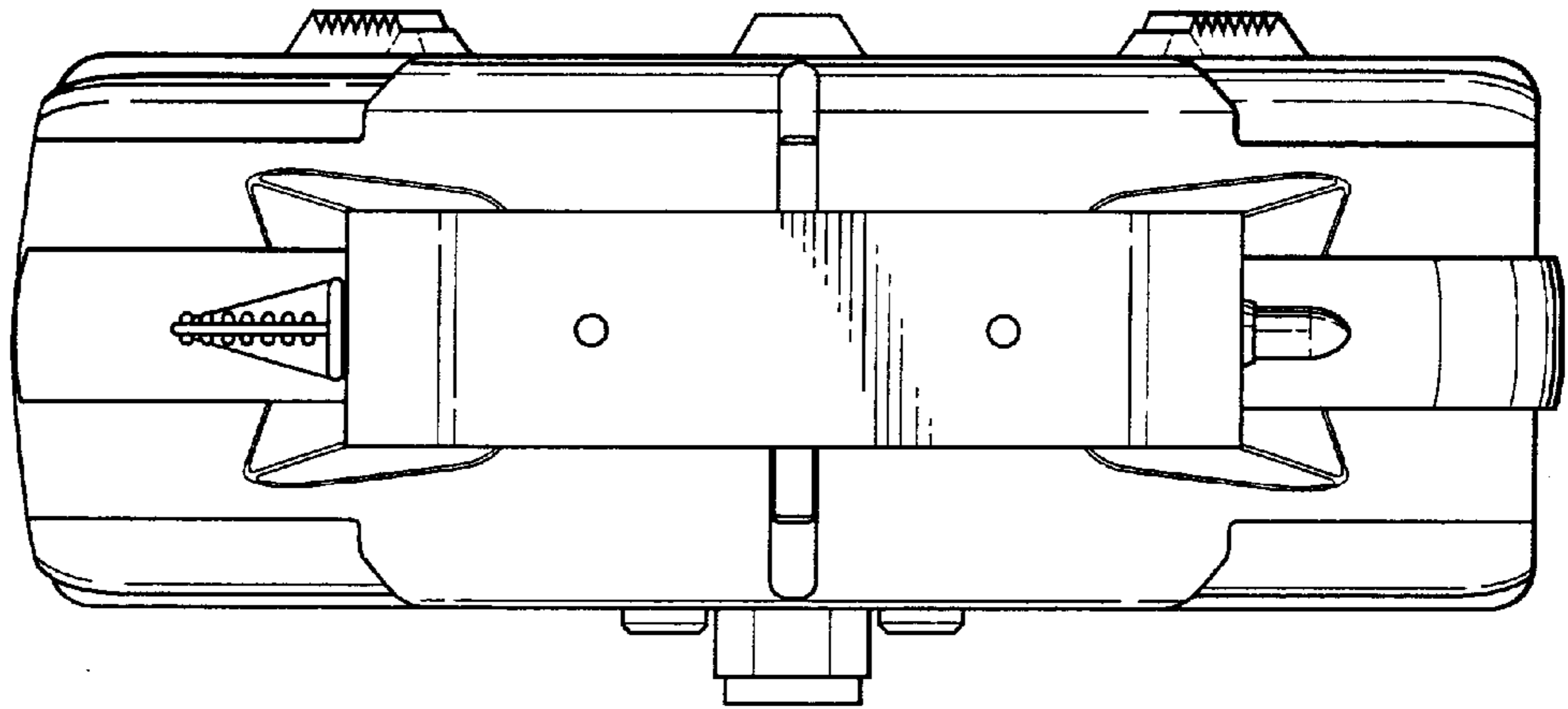
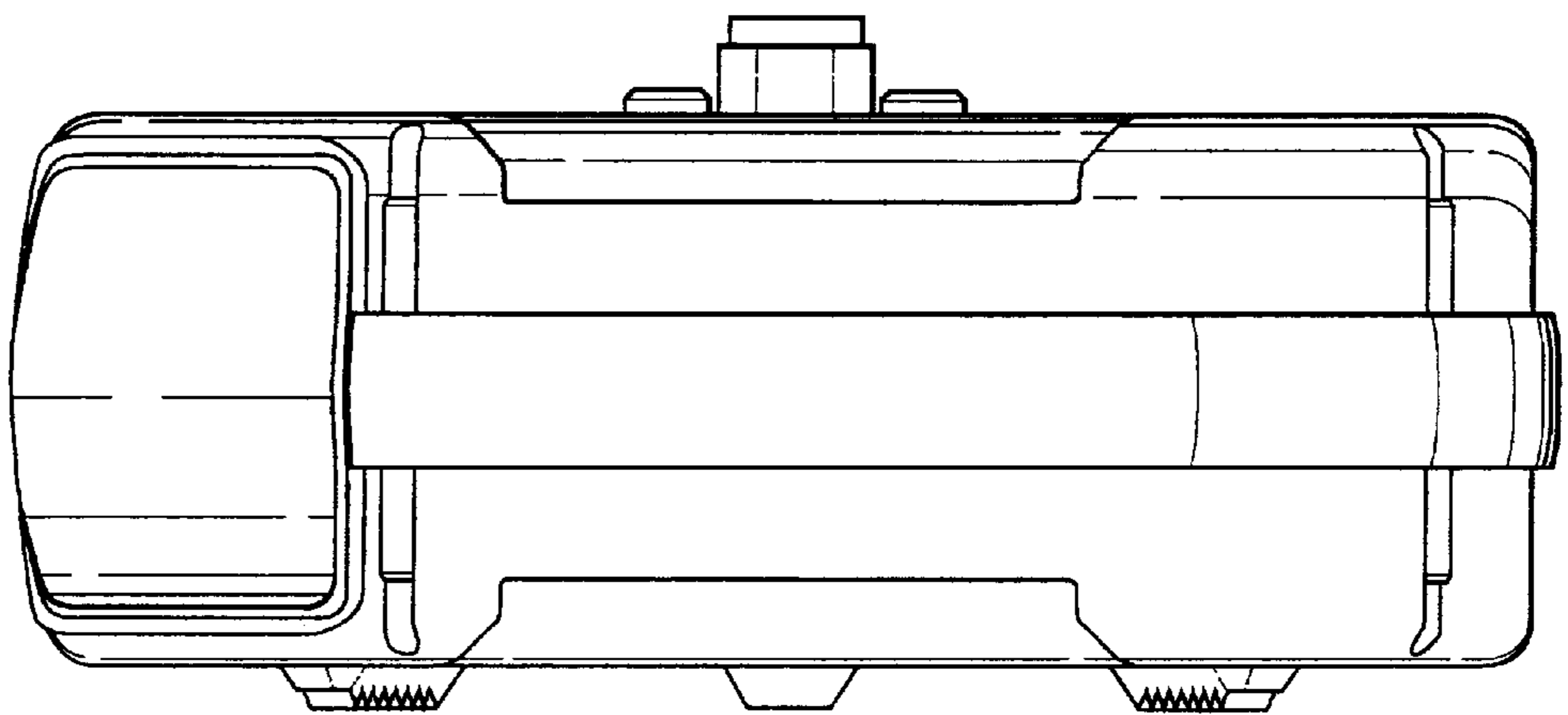


FIG - 4



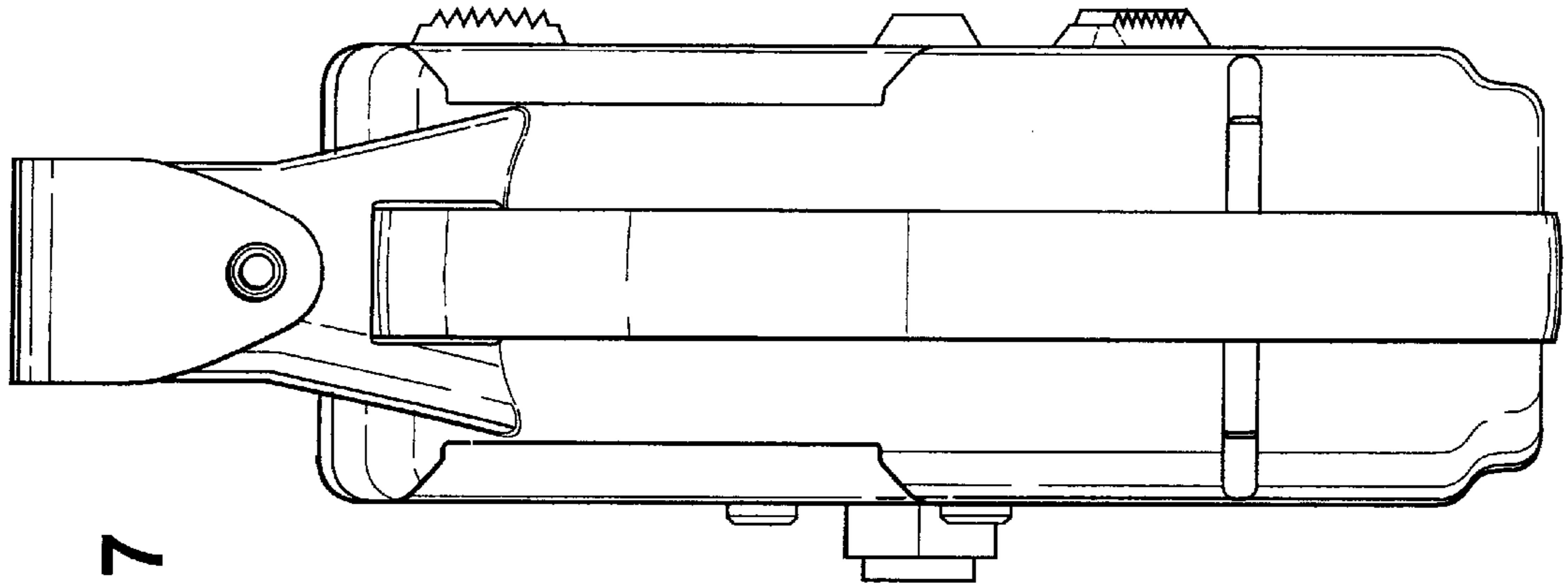


FIG - 7

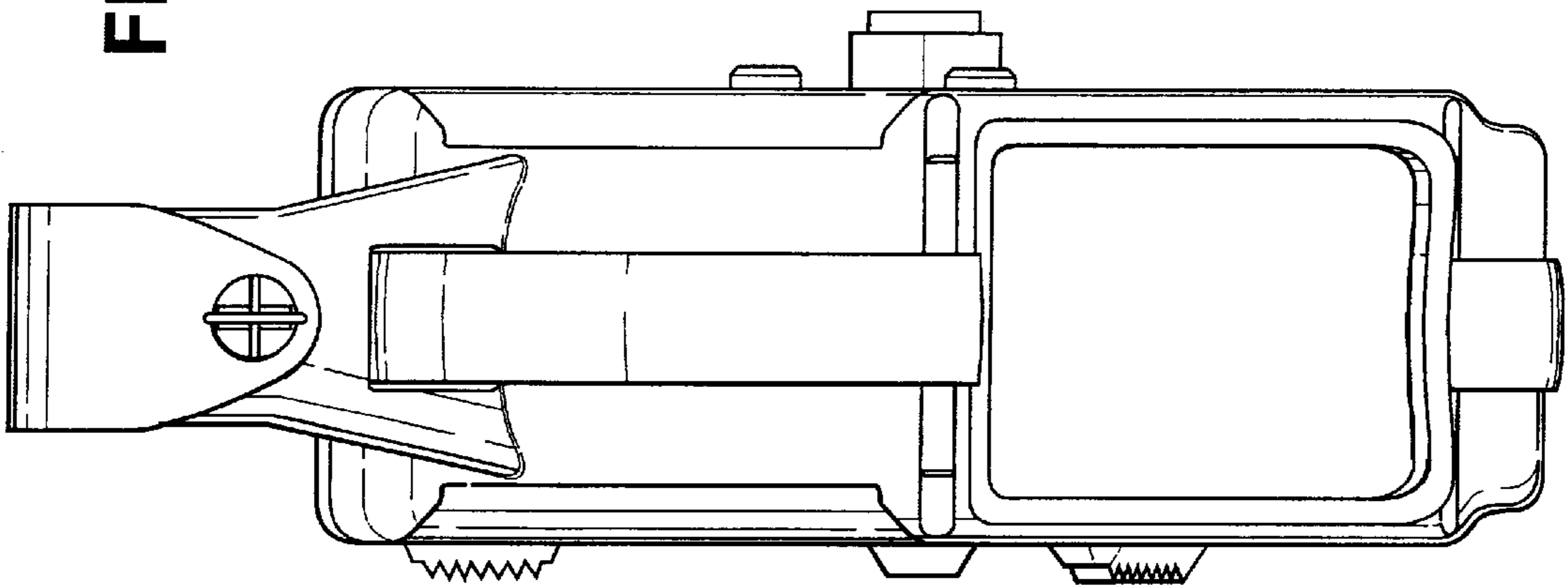


FIG - 6

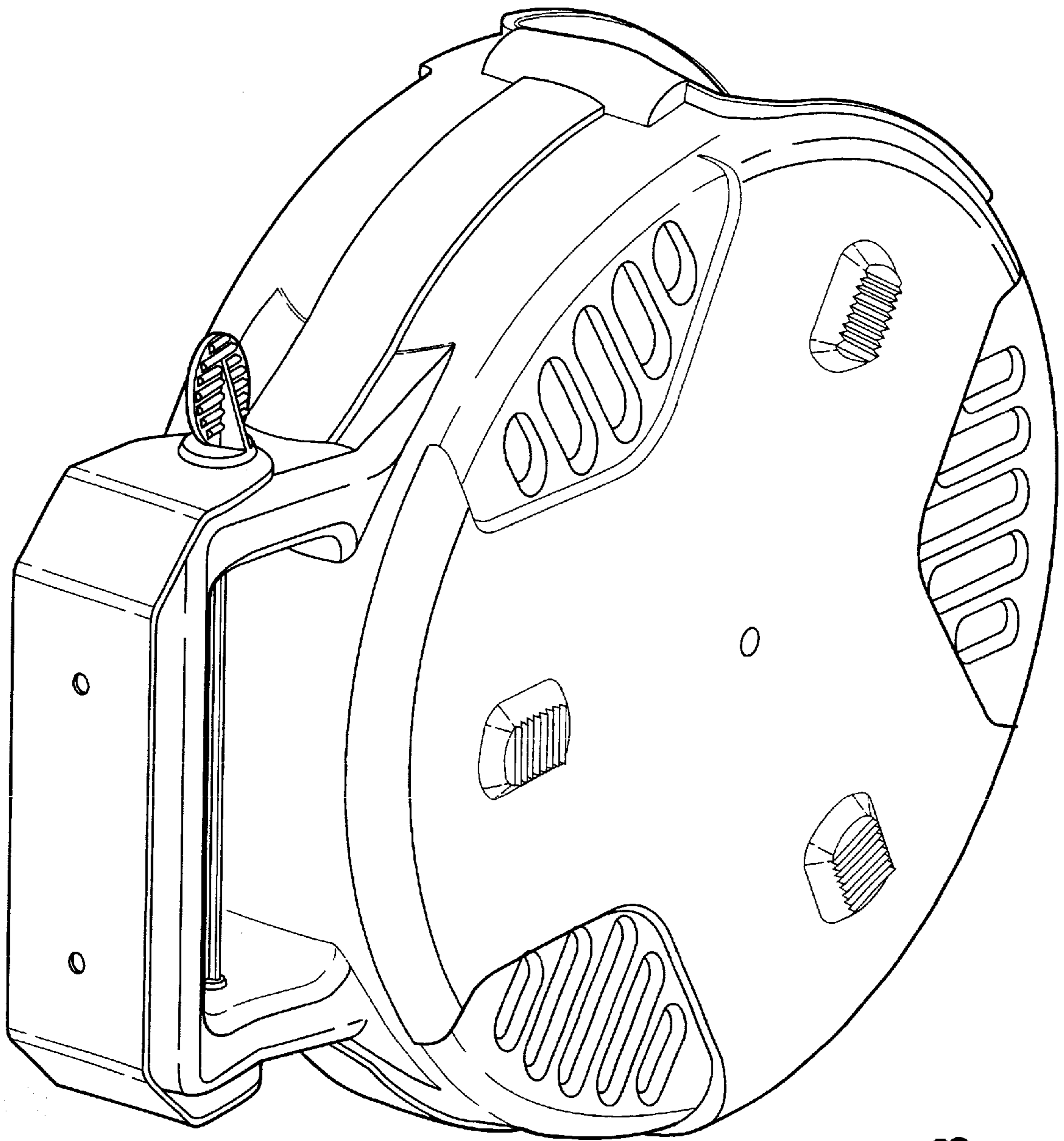


FIG - 8

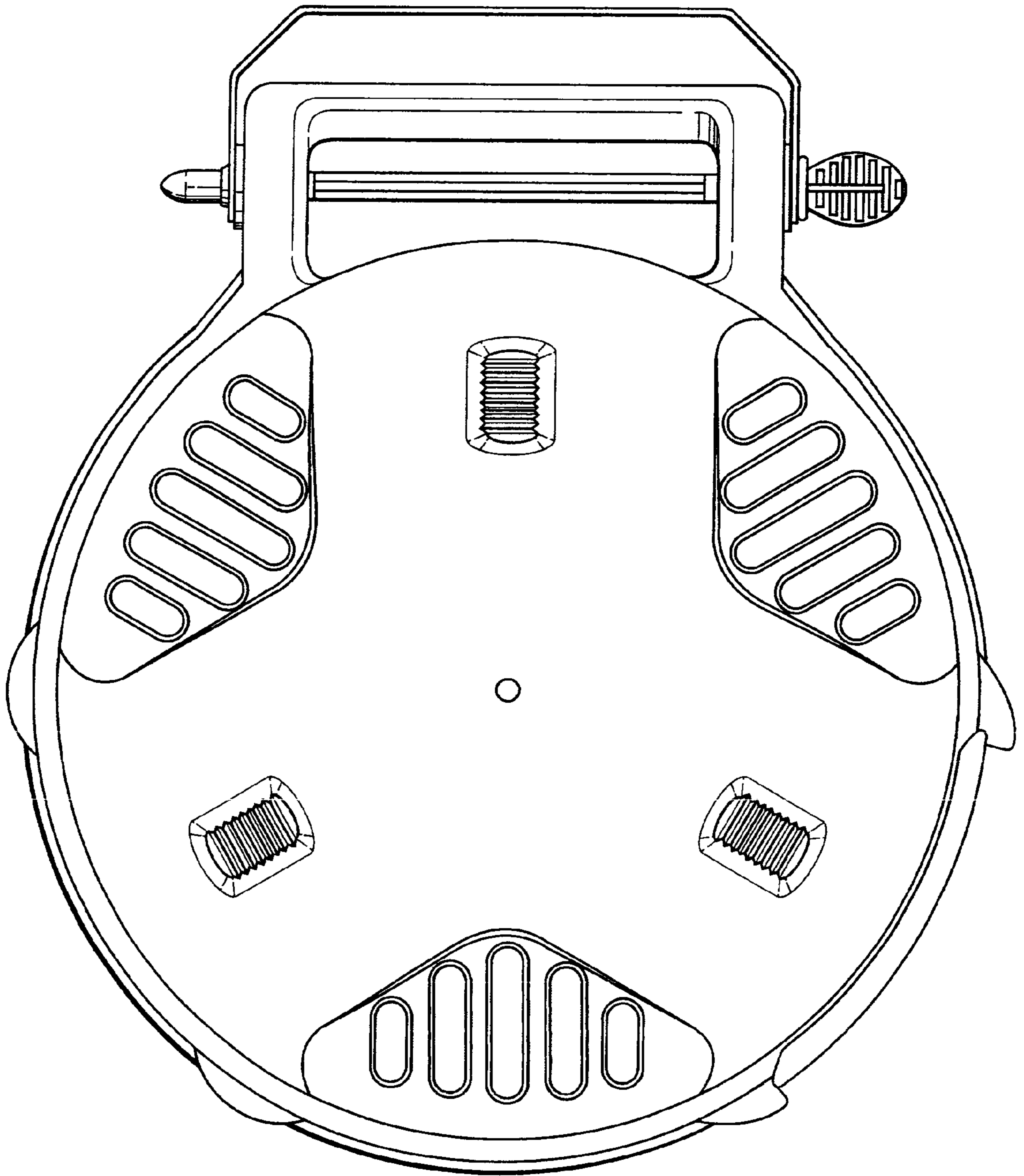


FIG - 9

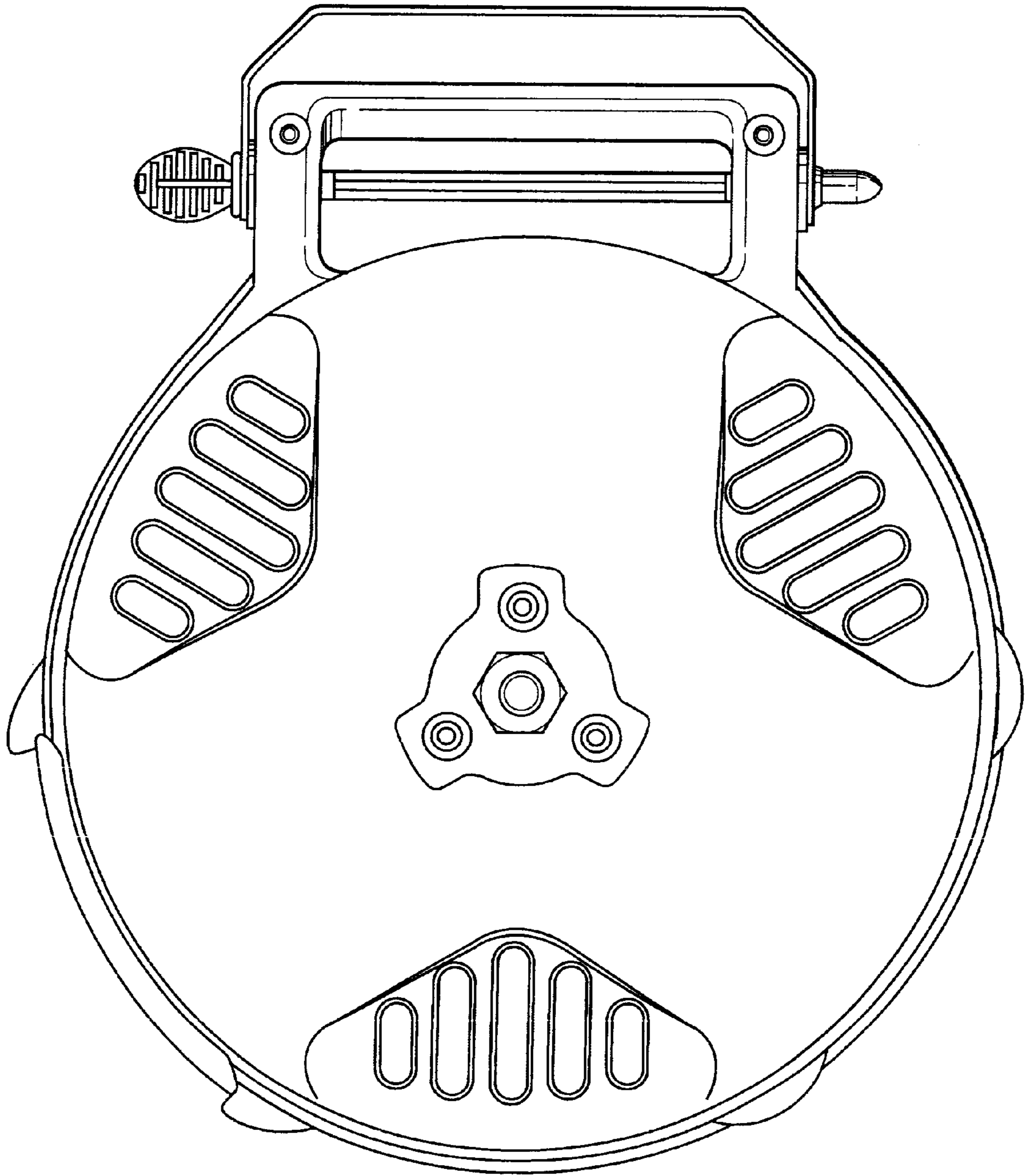


FIG - 10

FIG - 12

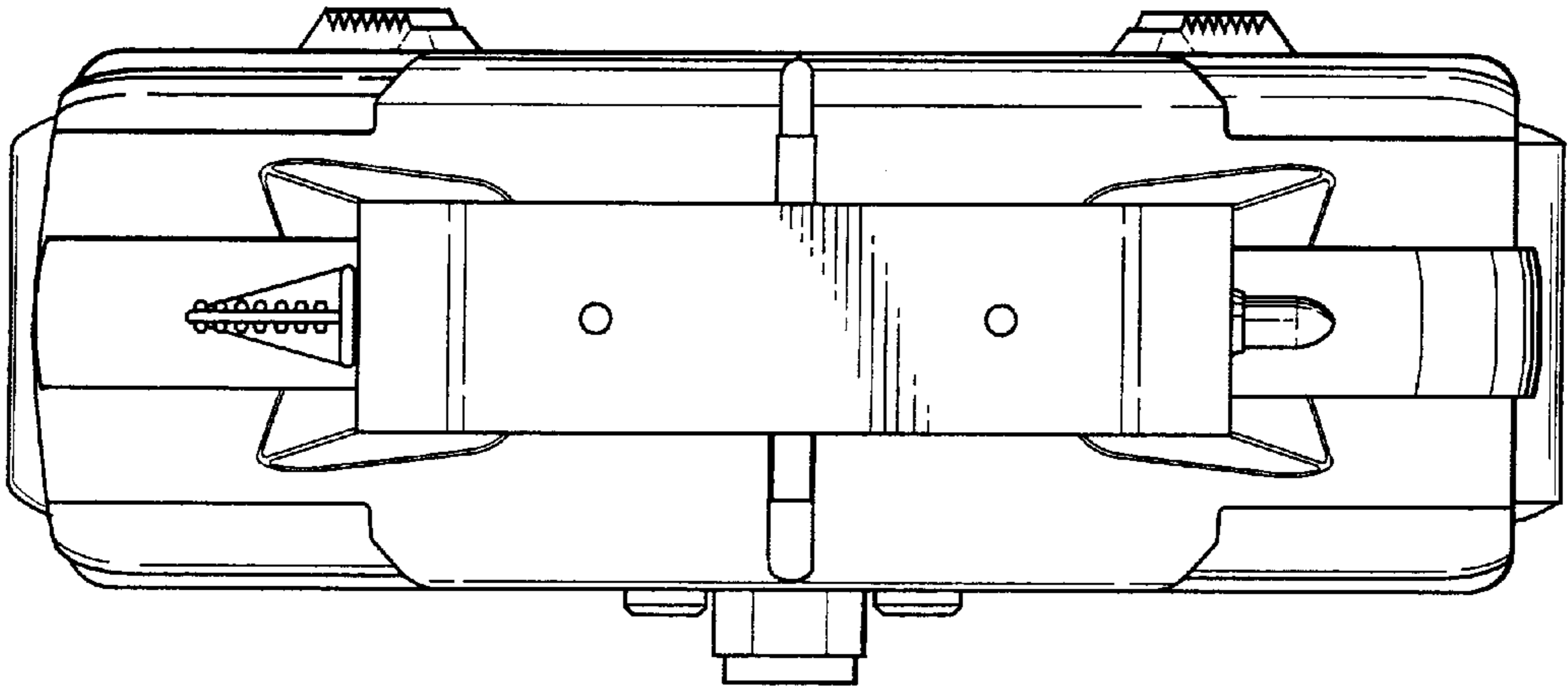
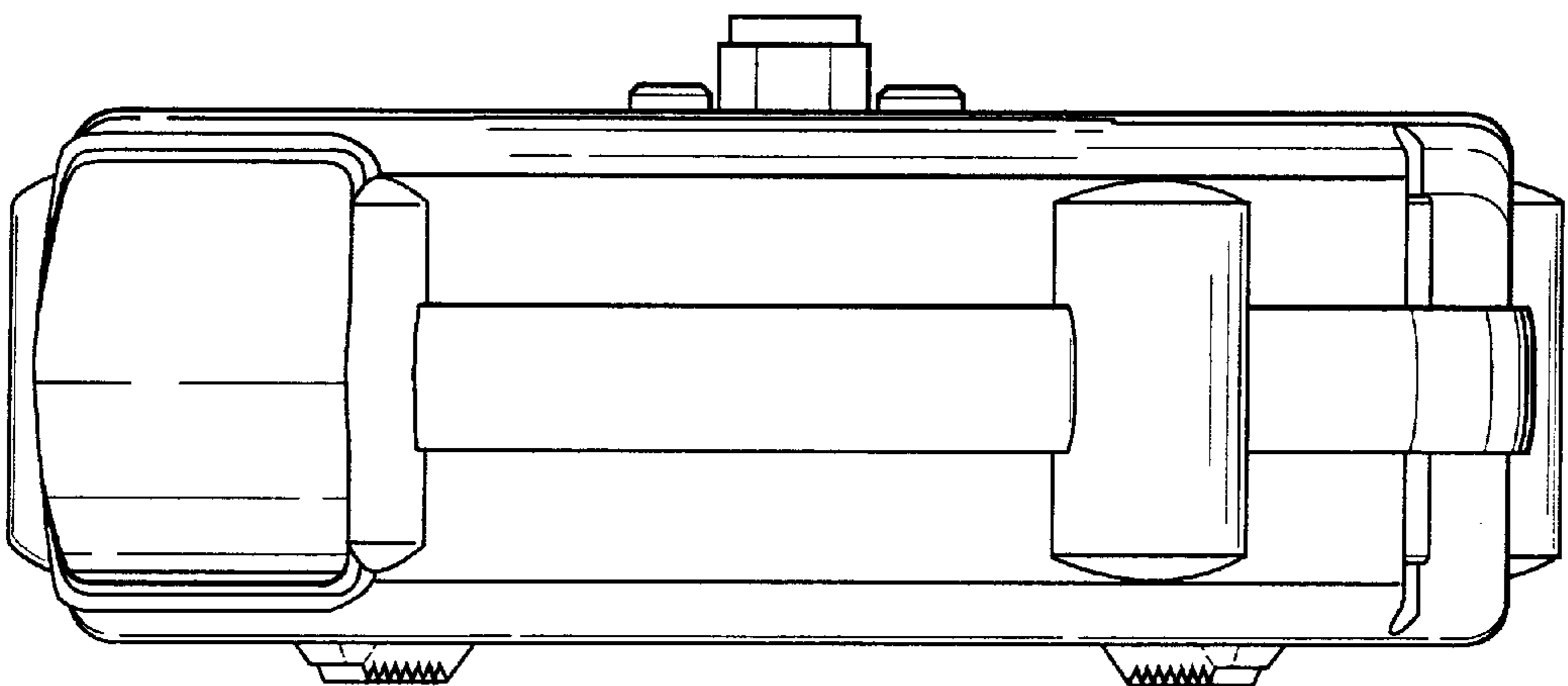


FIG - 11



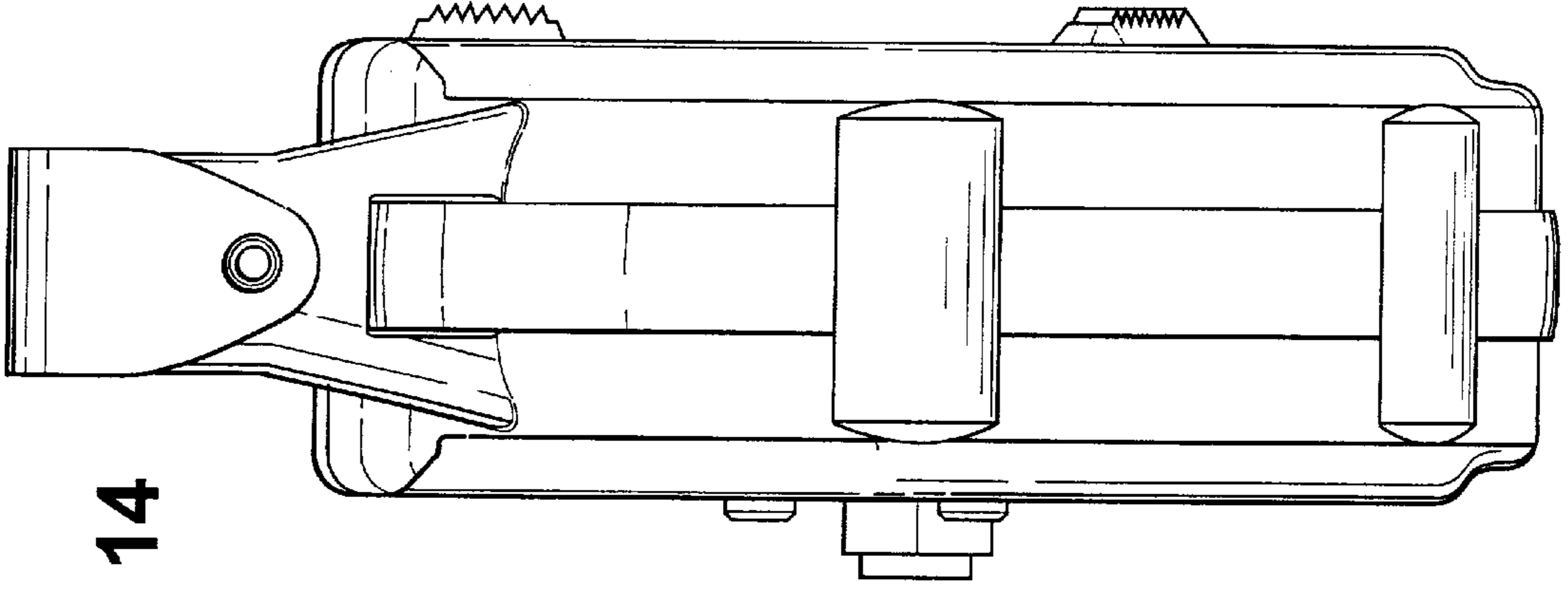


FIG - 14

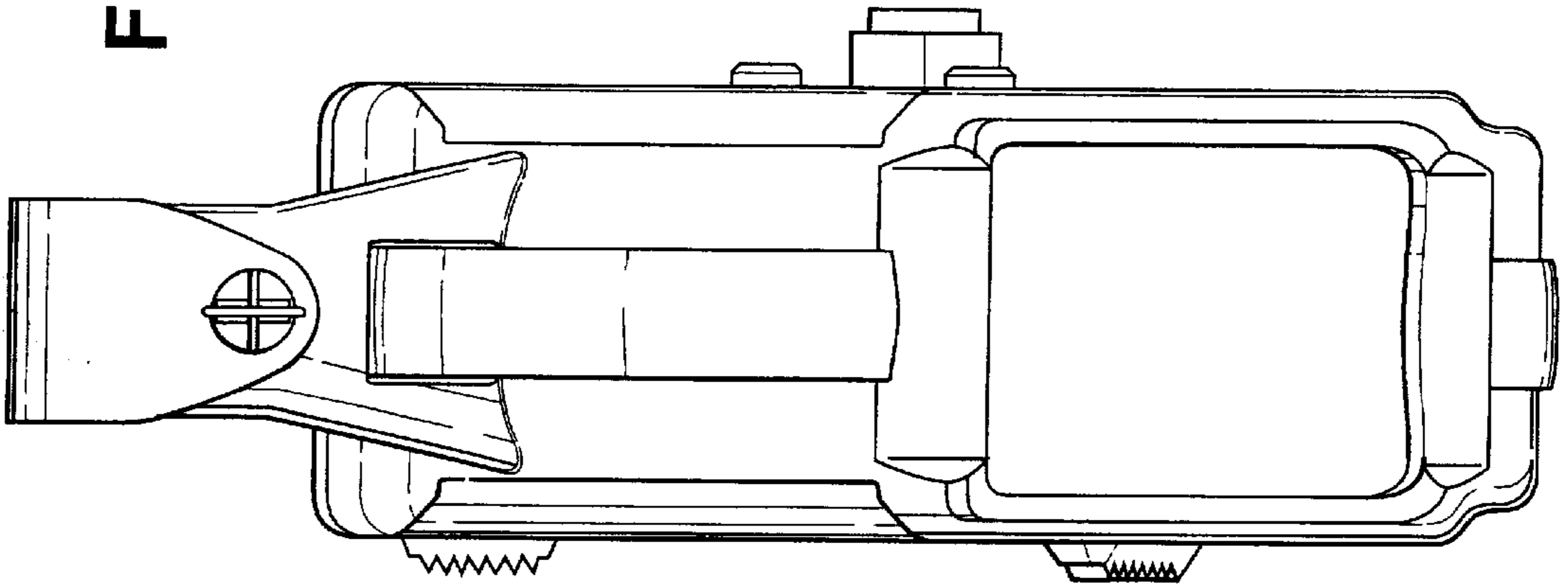


FIG - 13