



US00D479975S

(12) **United States Design Patent**  
**Winocoor**

(10) **Patent No.:** **US D479,975 S**

(45) **Date of Patent:** **\*\* Sep. 30, 2003**

(54) **TEMPORARY DOOR LOCK**

(76) **Inventor:** **Larry Winocoor**, 10343 Coventry Ct.,  
Boca Raton, FL (US) 33428

(\*\*) **Term:** **14 Years**

(21) **Appl. No.:** **29/163,102**

(22) **Filed:** **Jun. 28, 2002**

(51) **LOC (7) Cl.** ..... **08-07**

(52) **U.S. Cl.** ..... **D8/331**

(58) **Field of Search** ..... D8/330, 331, 336,  
D8/338, 343, 344; 16/233; 70/14, 91, 101,  
102, 103; 292/210, 281, 297, 298, 340,  
341.17, 346

(56) **References Cited**

**U.S. PATENT DOCUMENTS**

D215,266 S \* 9/1969 Woodcock ..... D8/331  
4,917,422 A \* 4/1990 Rose ..... 292/297  
D317,111 S \* 5/1991 Johns ..... D8/344

D319,964 S \* 9/1991 Johns ..... D8/344  
5,291,760 A \* 3/1994 Schrader ..... 70/14  
D433,308 S \* 11/2000 Winston ..... D8/330  
D442,465 S \* 5/2001 Johns ..... D8/336

\* cited by examiner

*Primary Examiner*—Brian N. Vinson

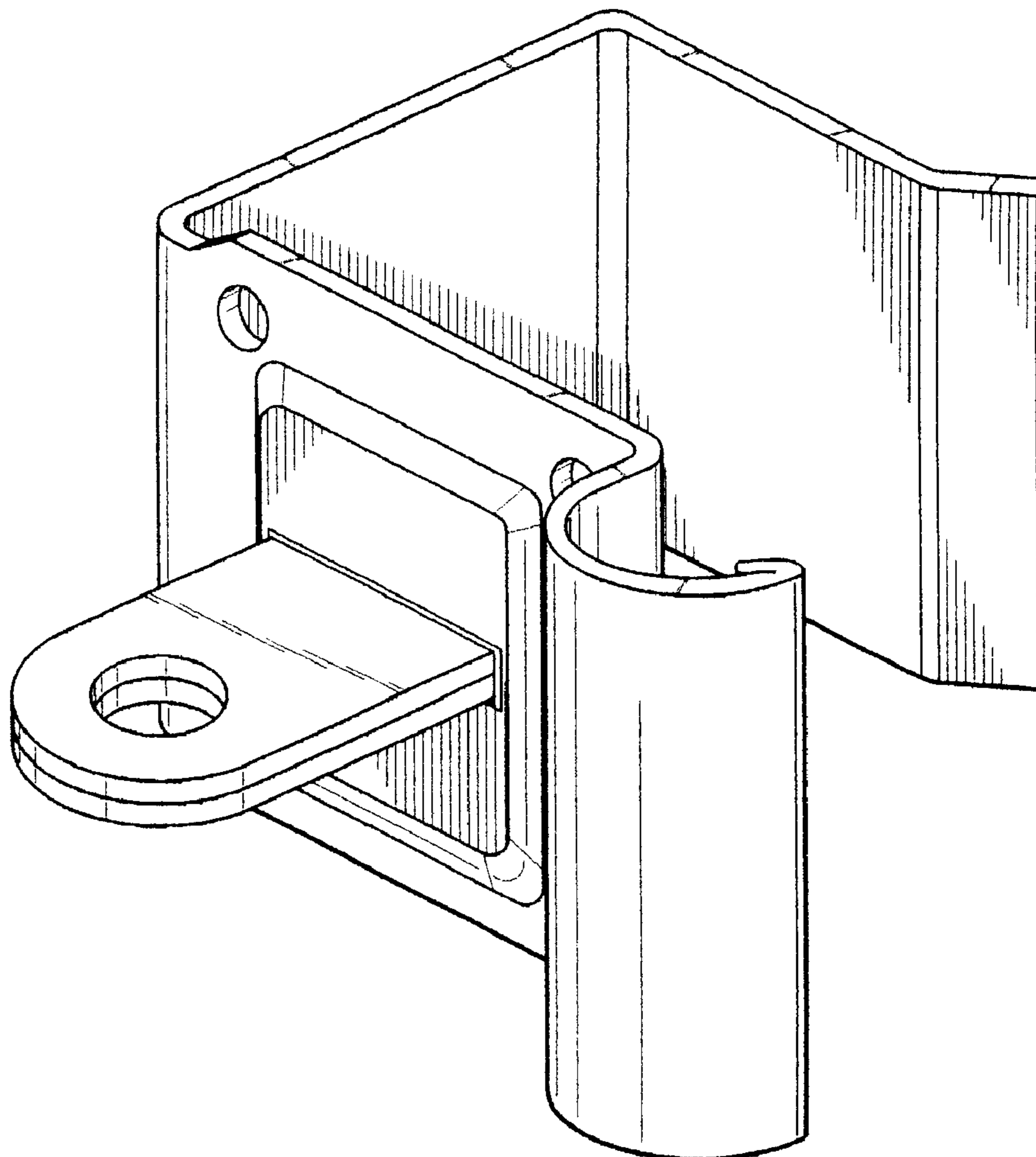
(57) **CLAIM**

The ornamental design for a temporary door lock, as shown and described.

**DESCRIPTION**

FIG.1 is a perspective view of a temporary door lock showing my new design;  
FIG. 2 is a front elevational view thereof;  
FIG. 3 is a rear elevational view thereof;  
FIG. 4 is a top plan view thereof;  
FIG. 5 is a bottom plan view thereof;  
FIG. 6 is a right end elevational view thereof; and,  
FIG. 7 is a left end elevational view thereof.

**1 Claim, 2 Drawing Sheets**



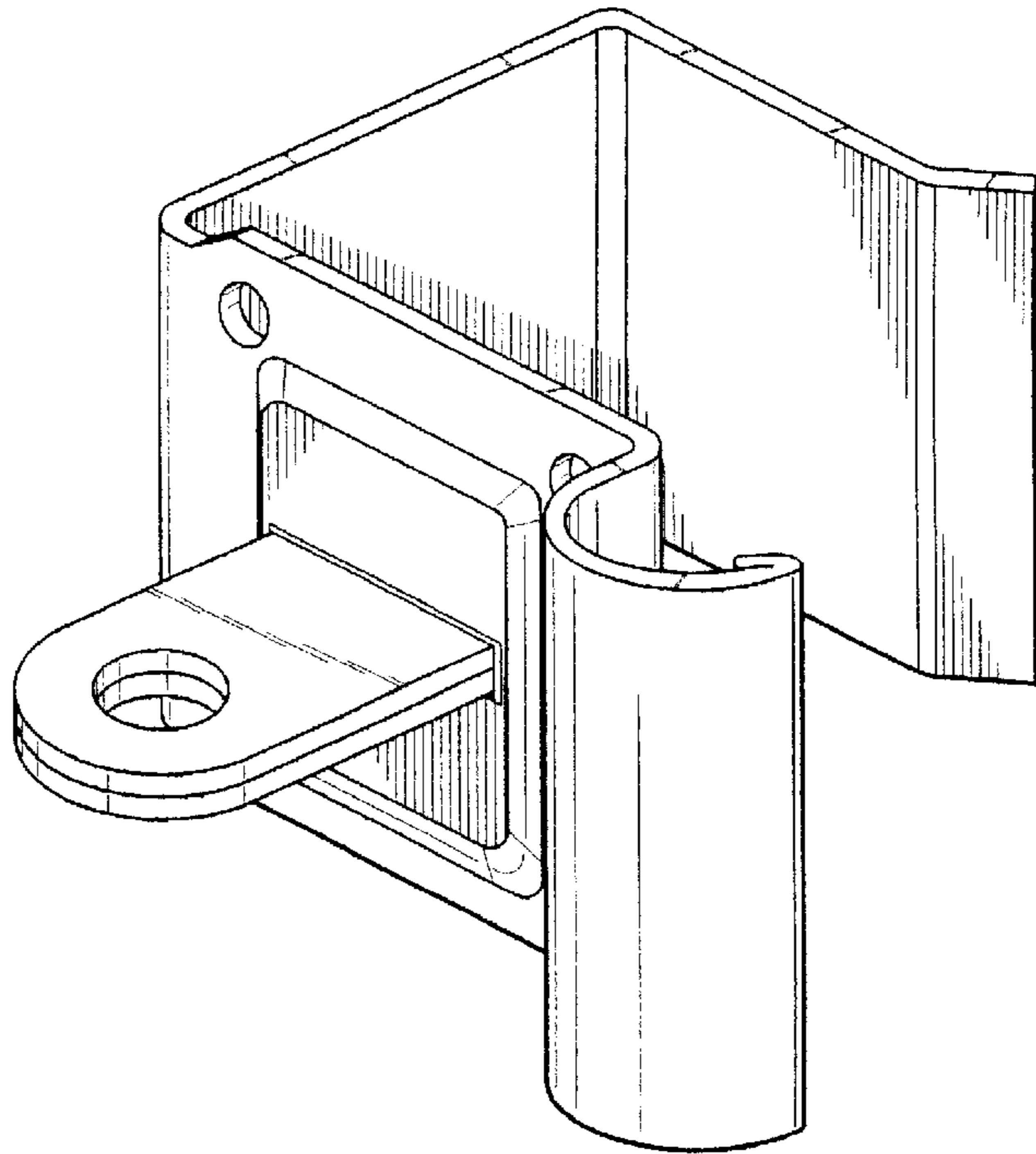


FIG. 1

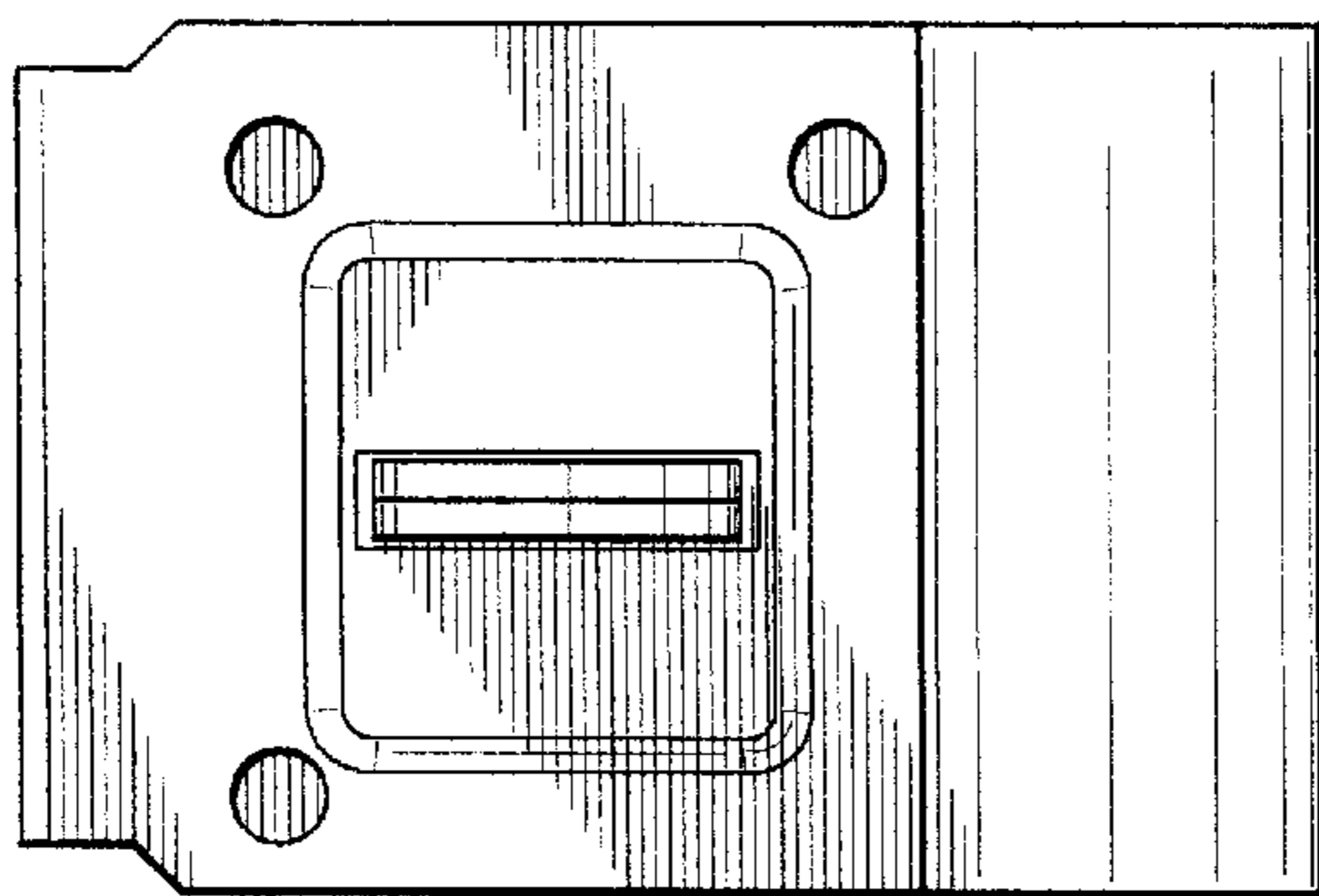


FIG. 2

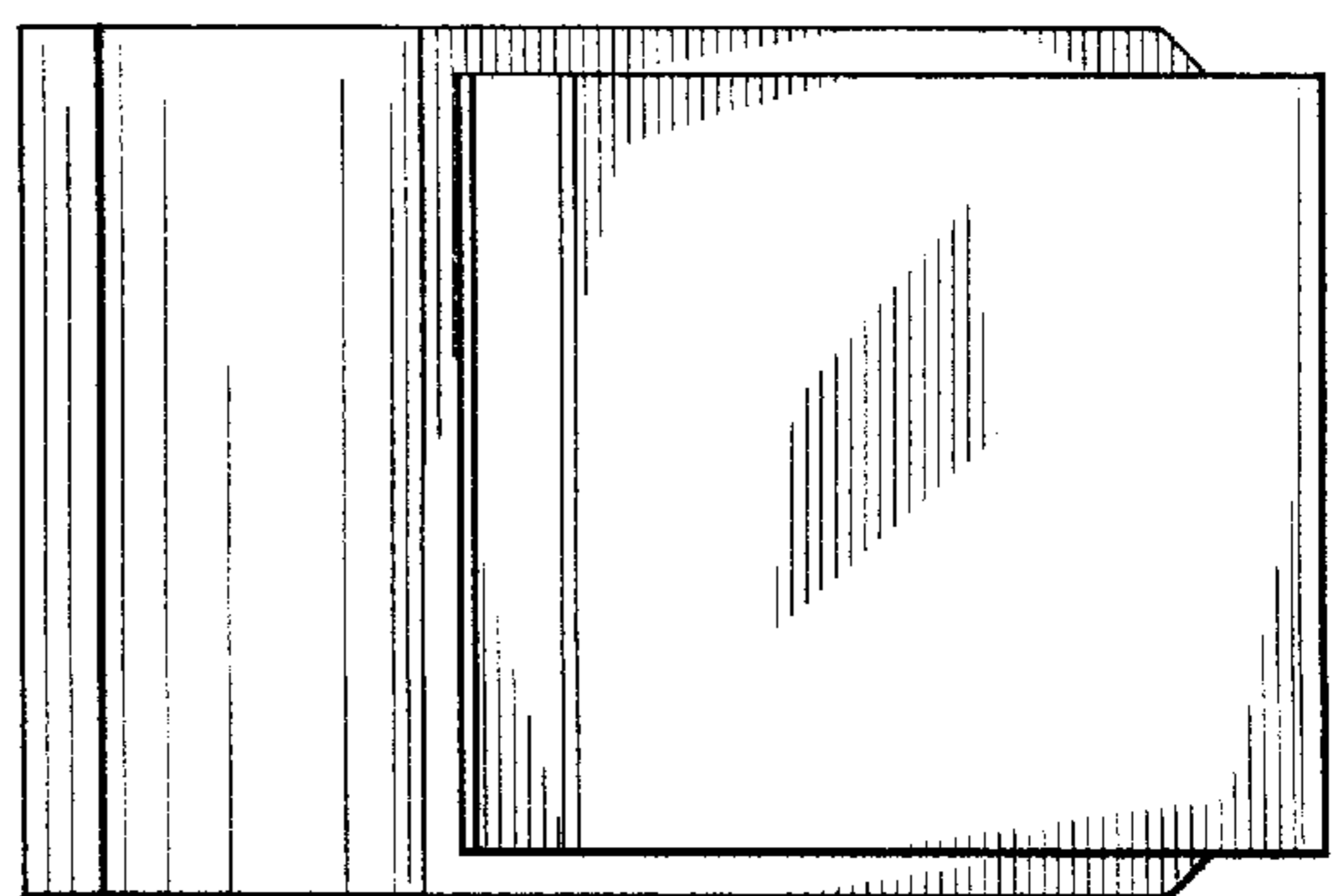


FIG. 3

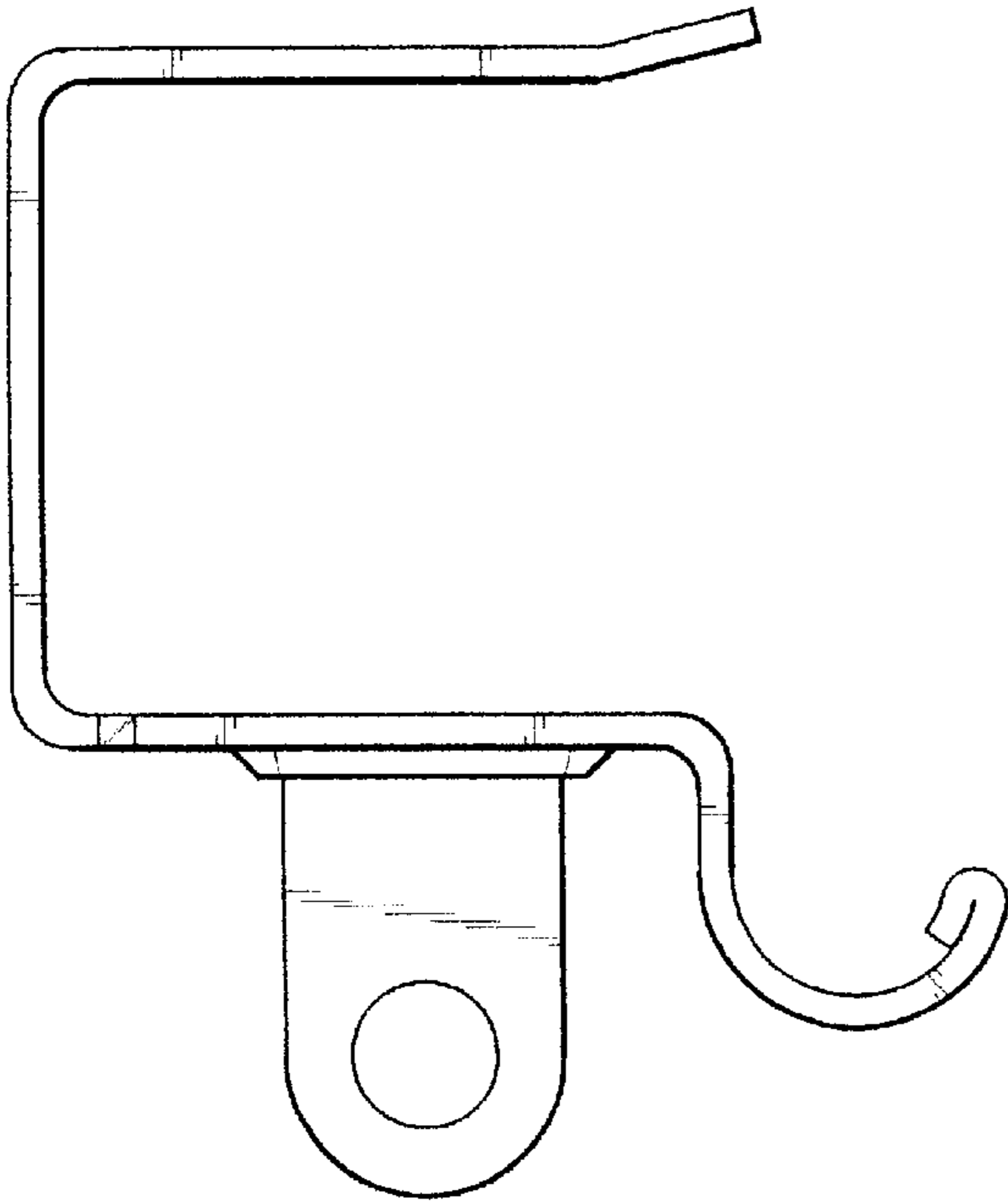


FIG. 4

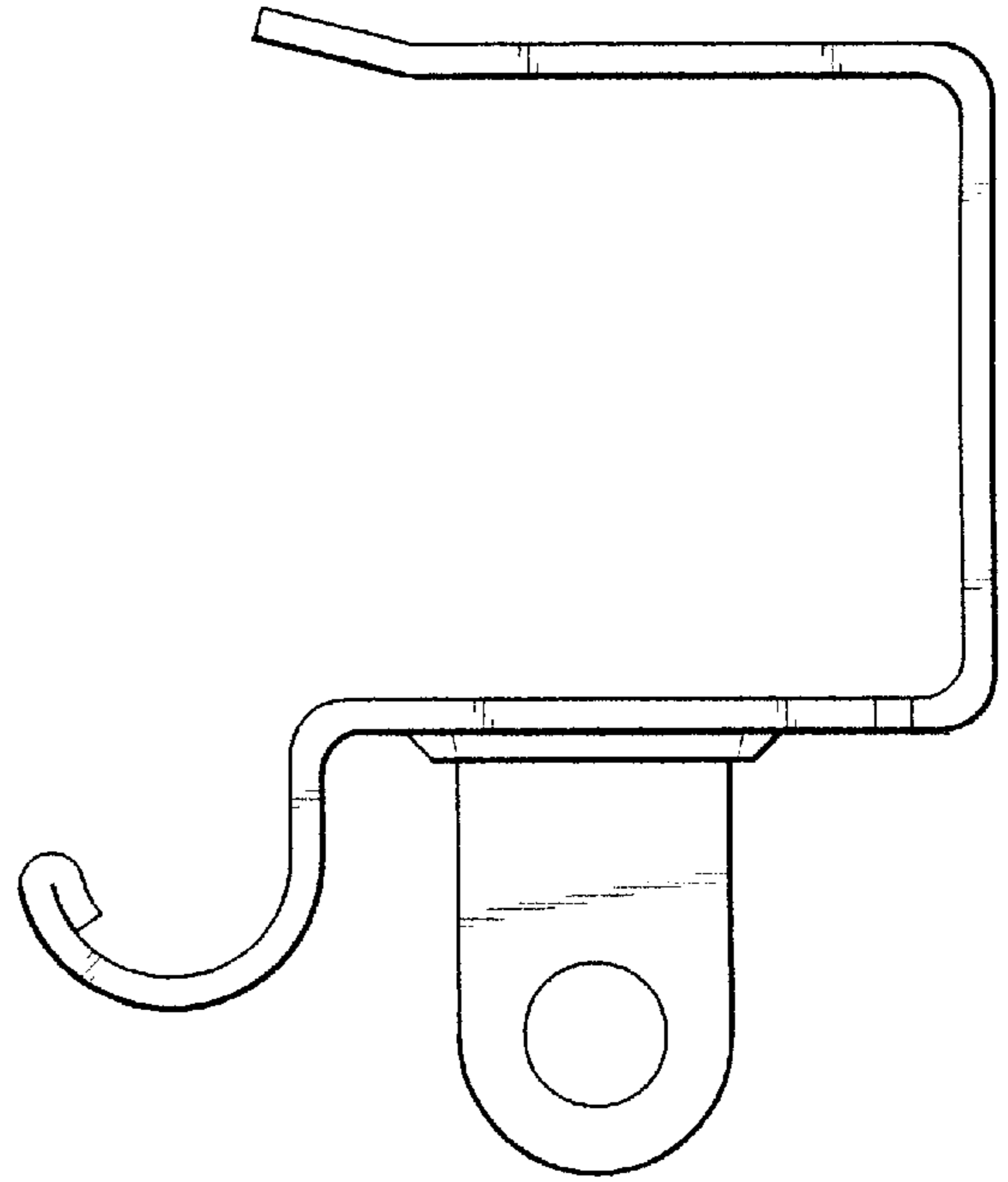


FIG. 5

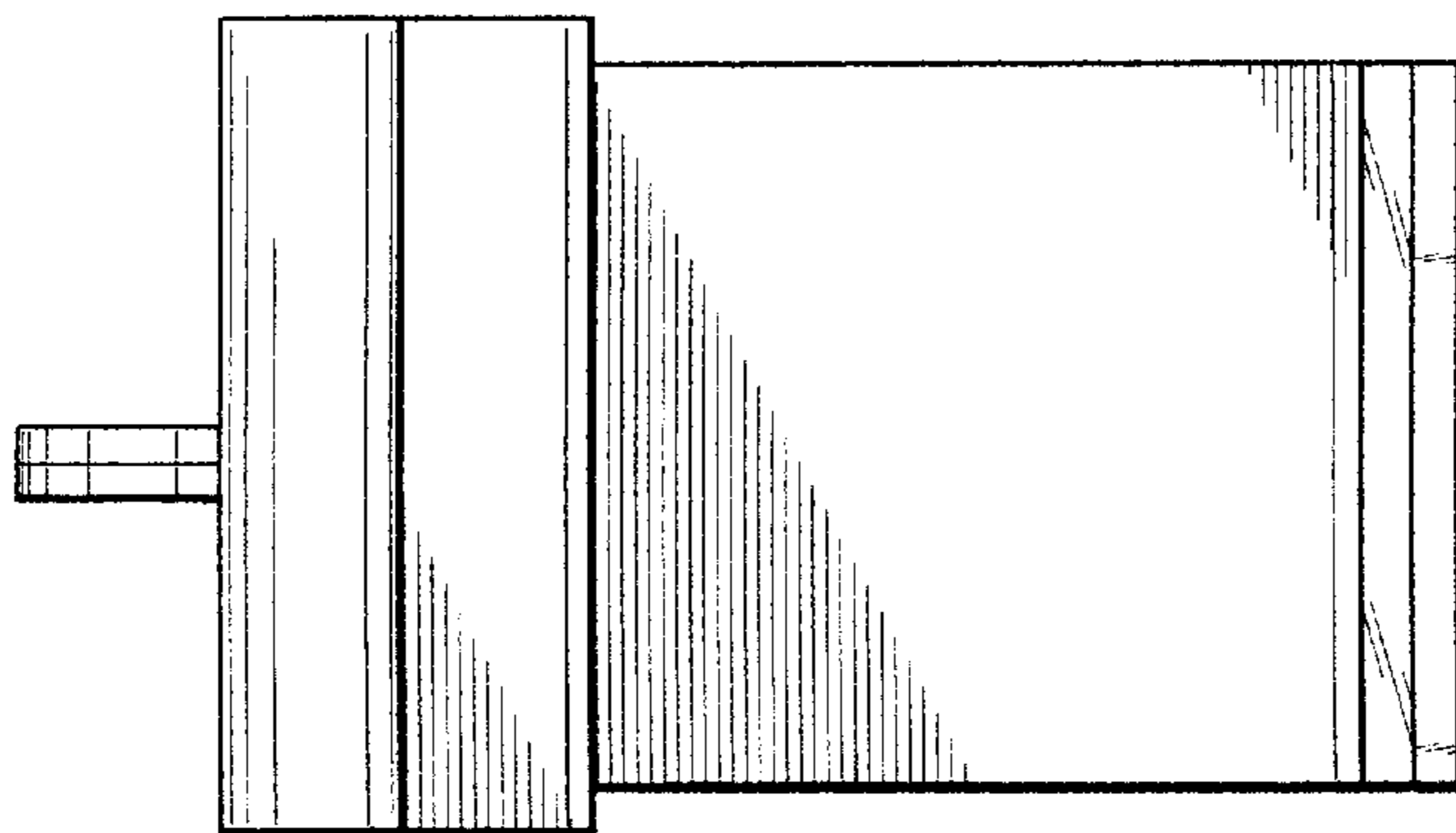


FIG. 6

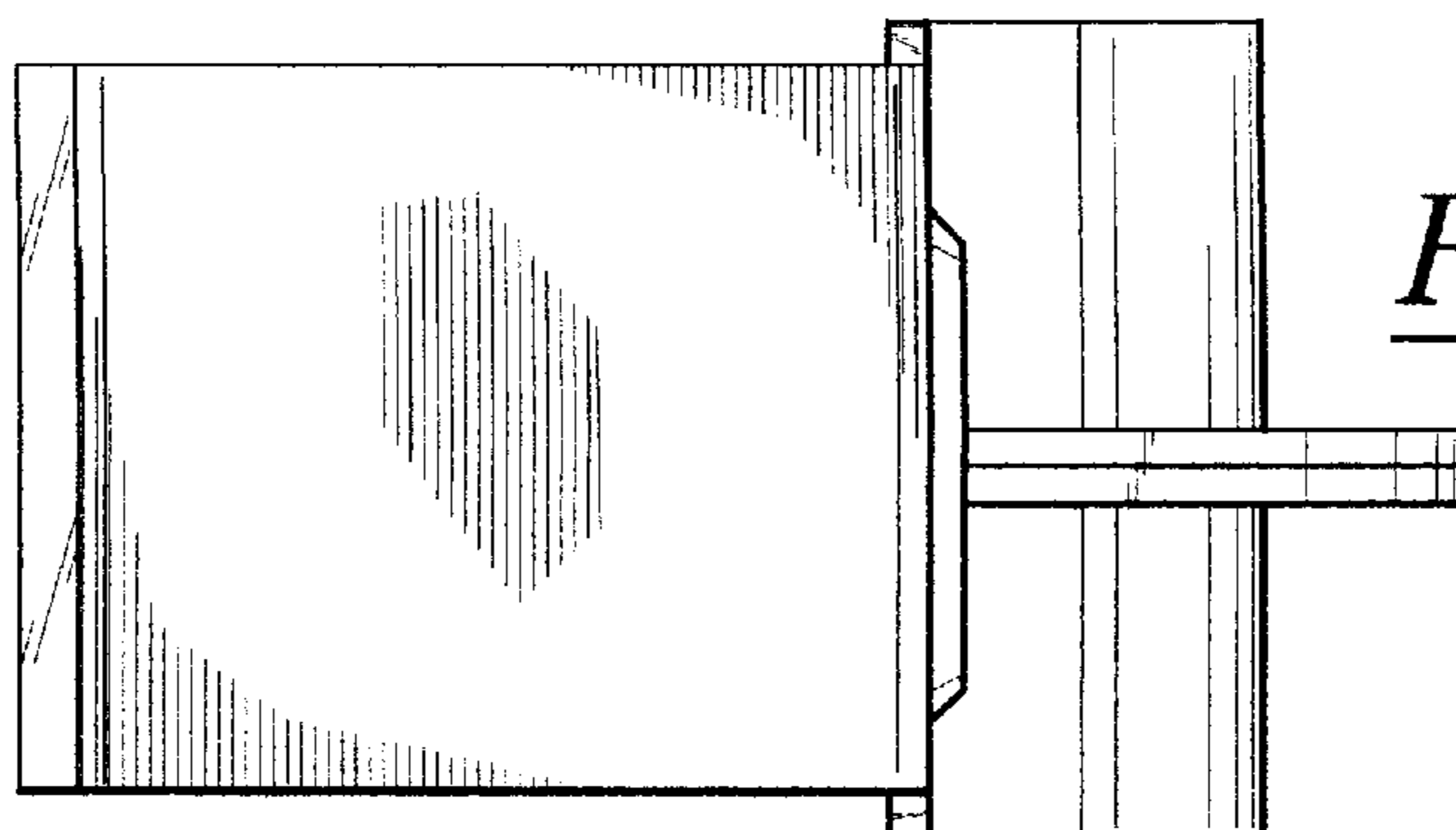


FIG. 7