



US00D479974S

(12) **United States Design Patent**
Sugimura

(10) **Patent No.:** **US D479,974 S**

(45) **Date of Patent:** **** Sep. 30, 2003**

(54) **DOOR LOCKING HANDLE FOR AN ELECTRICAL APPARATUS BOX**

(75) **Inventor:** **Aturou Sugimura, Tokyo (JP)**

(73) **Assignee:** **Takigen Manufacturing Co. Ltd., Tokyo (JP)**

(**) **Term:** **14 Years**

(21) **Appl. No.:** **29/159,059**

(22) **Filed:** **Apr. 15, 2002**

(51) **LOC (7) Cl. 08-07**

(52) **U.S. Cl. D8/330**

(58) **Field of Search** D8/330, 331, 300, D8/301, 302, 306, 336-338, 341; 292/336.3, DIG. 30, DIG. 31; 70/207, 208, 215

(56) **References Cited**

U.S. PATENT DOCUMENTS

- 4,631,937 A * 12/1986 Debus et al. 70/207
- D292,171 S * 10/1987 Berg D8/331
- D343,347 S * 1/1994 Lau et al. D8/301

- D353,530 S * 12/1994 Gartner D8/330
- D360,124 S * 7/1995 Gartner D8/330
- D391,143 S * 2/1998 Jancsek D8/338
- D406,040 S * 2/1999 Kuehn D8/301
- D444,372 S * 7/2001 Segawa D8/338

* cited by examiner

Primary Examiner—Brian N. Vinson

(74) *Attorney, Agent, or Firm*—Martin Smolowitz

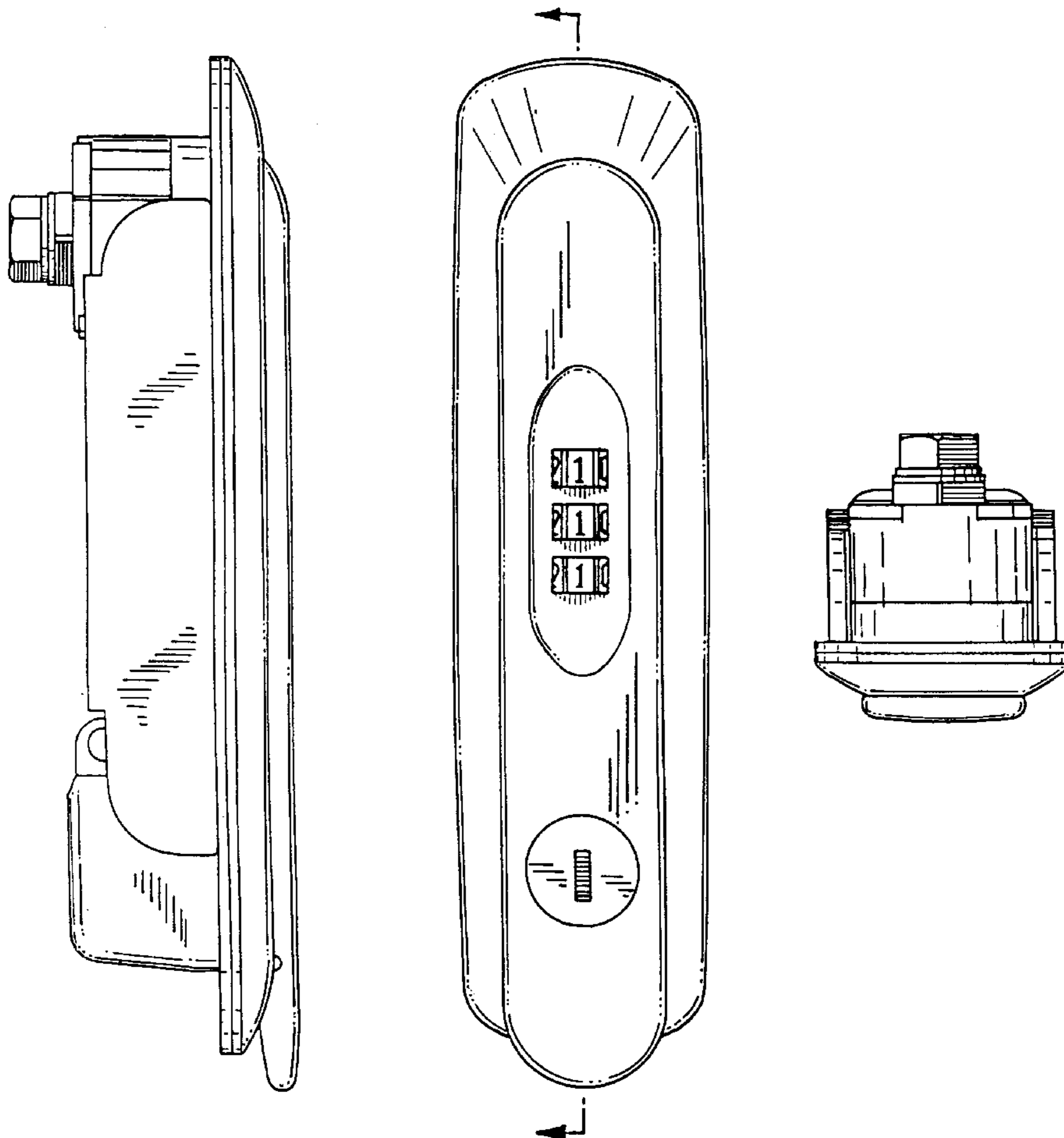
(57) **CLAIM**

The ornamental design of a door locking handle for an electrical apparatus box, as shown and described.

DESCRIPTION

FIG. 1 is a left side view of the door locking handle for an electrical apparatus box showing my new design;
 FIG. 2 is a front elevational view thereof;
 FIG. 3 is a right side elevational view thereof;
 FIG. 4 is a rear elevational view thereof;
 FIG. 5 is a top plan view thereof,
 FIG. 6 is a bottom plan view thereof; and,
 FIG. 7 is a cross-sectional view taken at 7—7 of FIG. 2.

1 Claim, 2 Drawing Sheets



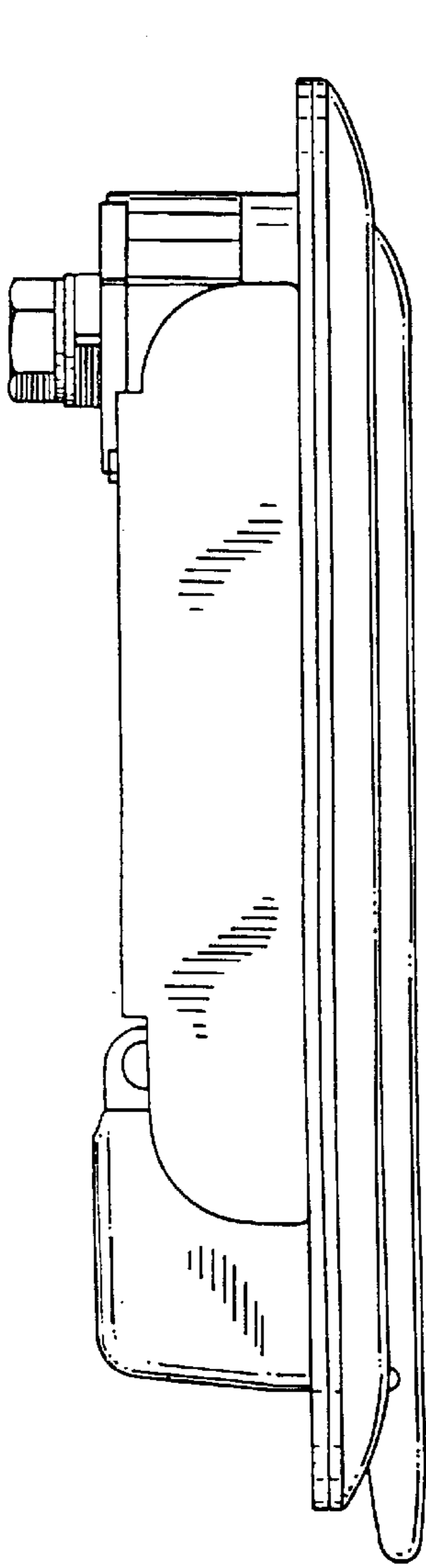


FIG. 1

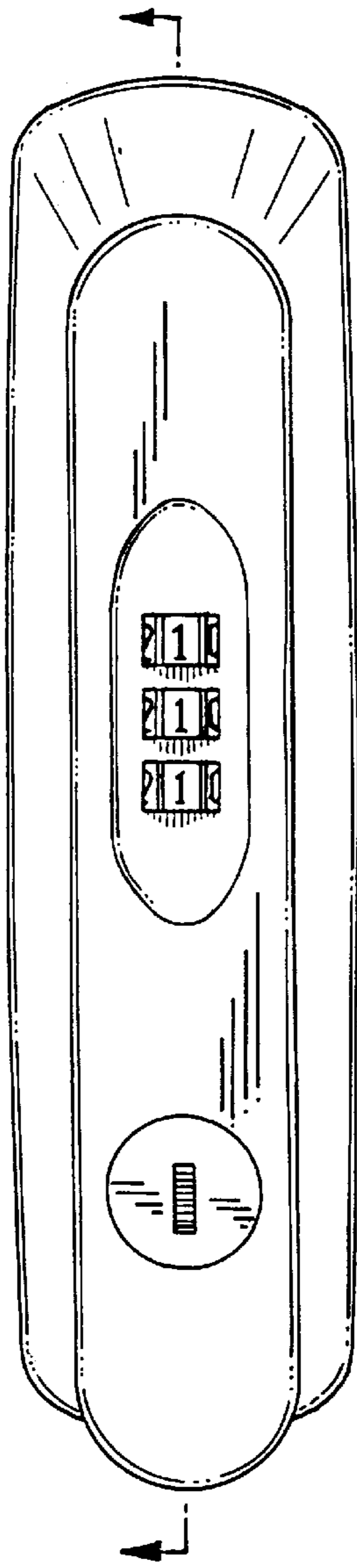


FIG. 2

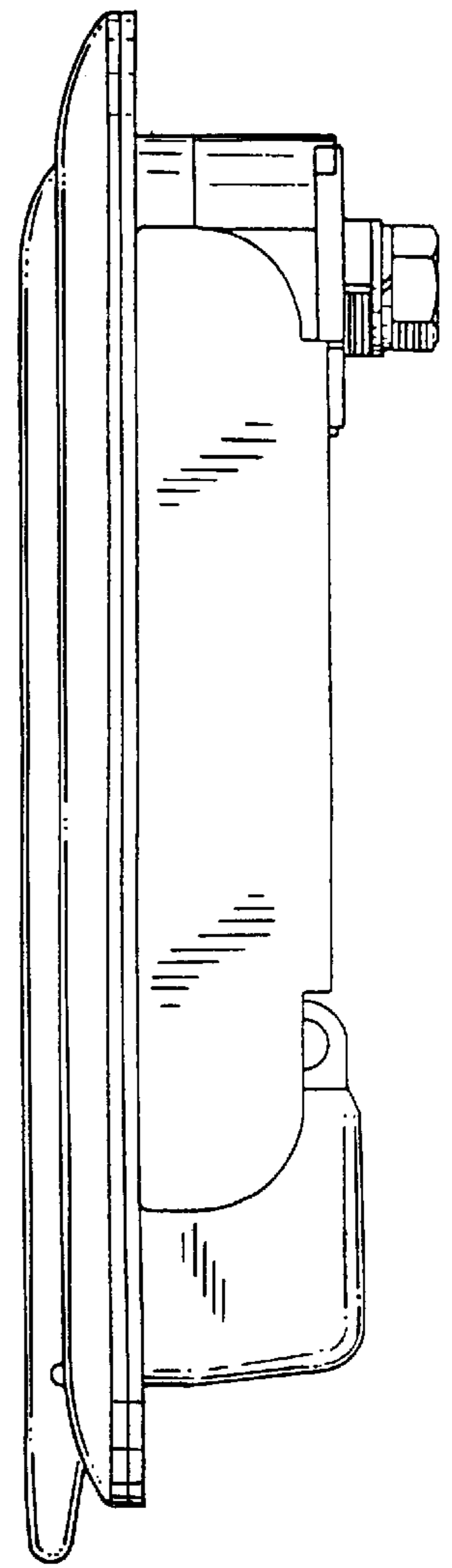


FIG. 3

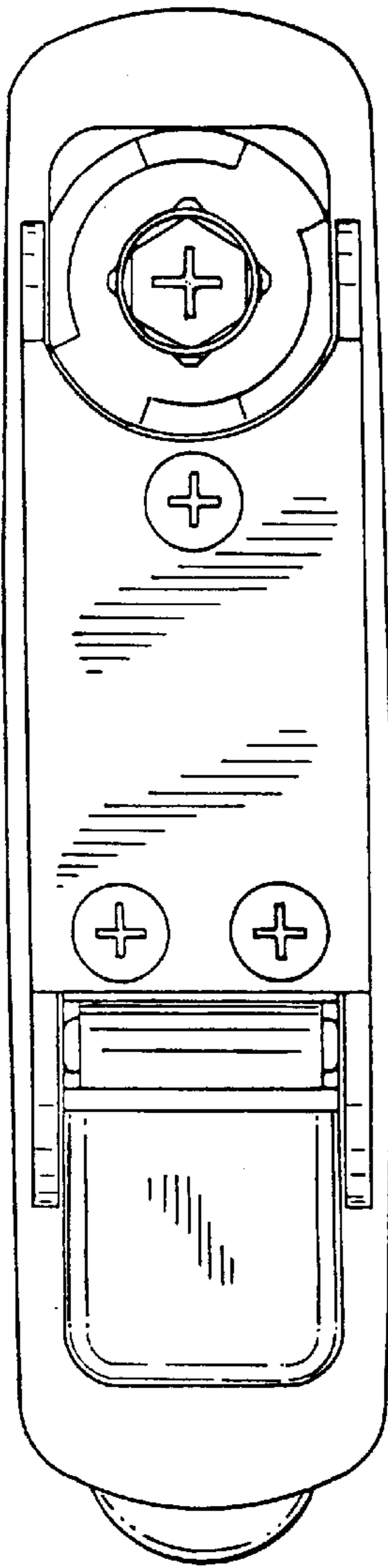


FIG. 4

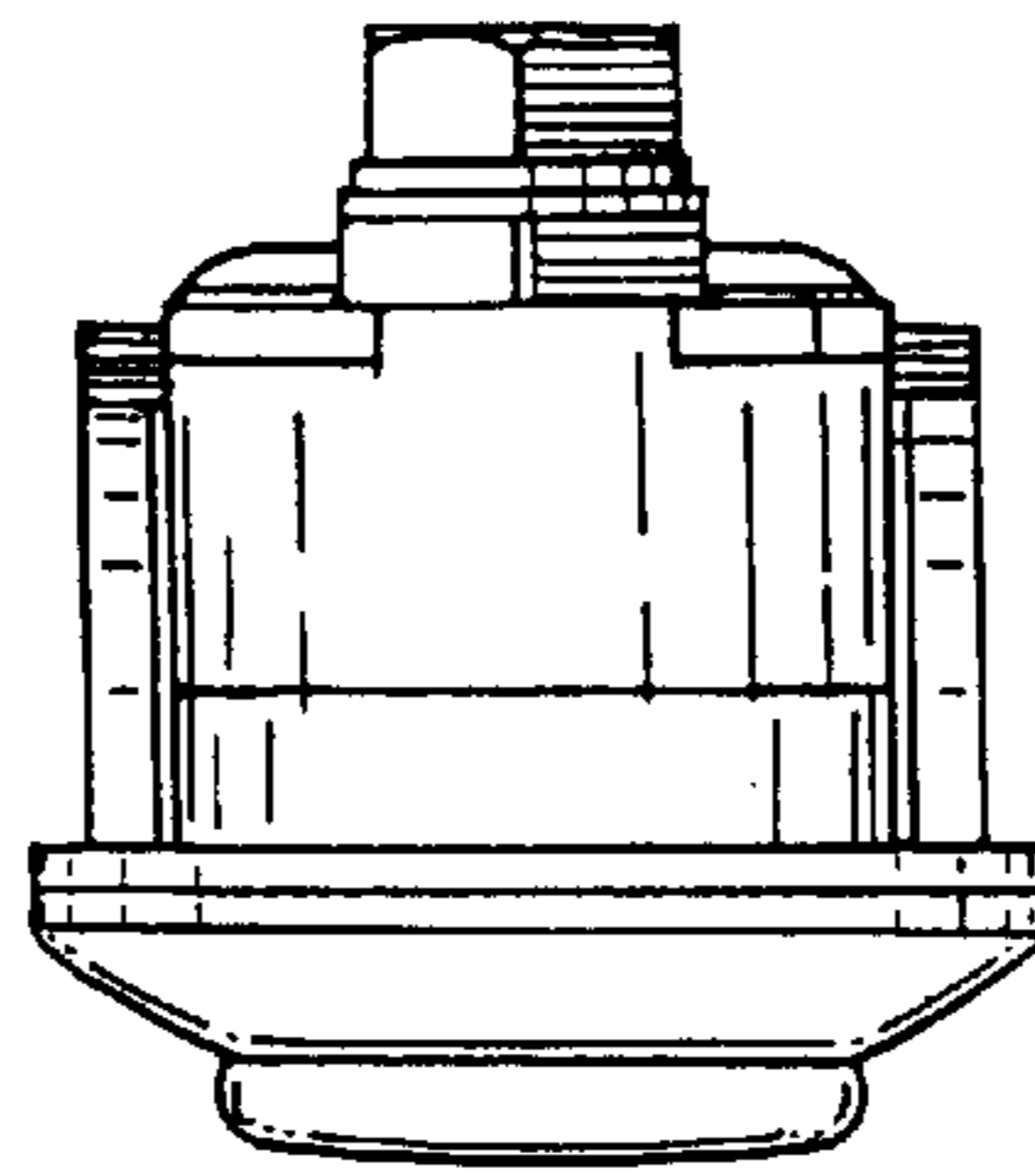


FIG. 5

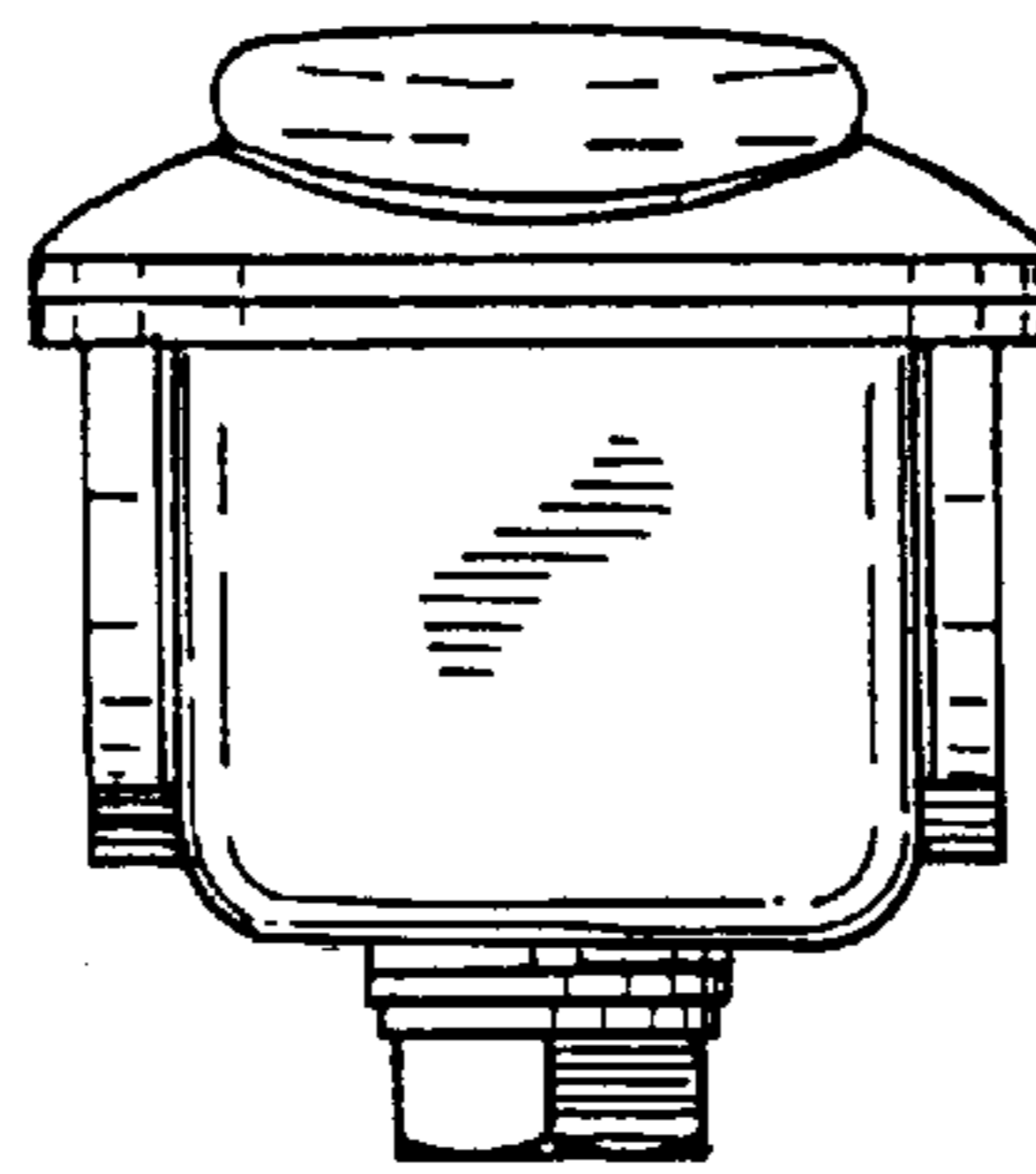


FIG. 6

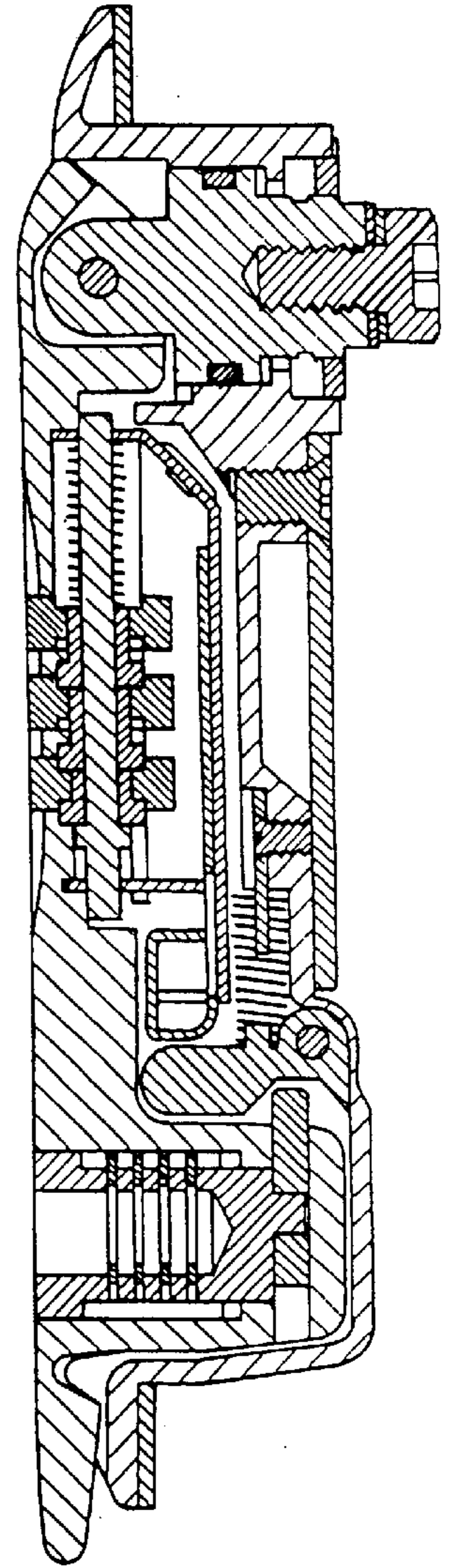


FIG. 7