



US00D479969S

(12) **United States Design Patent**
Robson et al.

(10) **Patent No.:** **US D479,969 S**

(45) **Date of Patent:** **** Sep. 30, 2003**

(54) **ANGLE GRINDER**

(75) Inventors: **Nigel Robson**, Newton Hall (GB); **Sion Netzler**, Newton Aycliffe (GB)

(73) Assignee: **Black & Decker, Inc.**, Newark, DE (US)

(**) Term: **14 Years**

(21) Appl. No.: **29/159,375**

(22) Filed: **Apr. 19, 2002**

(30) **Foreign Application Priority Data**

Nov. 15, 2001 (GB) 2106270

(51) **LOC (7) Cl.** **08-01**

(52) **U.S. Cl.** **D8/62**

(58) **Field of Search** D8/61, 62, 67, D8/69, 70; D32/15, 19; 15/97.1, 98; 310/50; 451/294, 344, 353, 354, 355, 356, 357, 358, 451, 453, 456

(56) **References Cited**

U.S. PATENT DOCUMENTS

- D301,830 S * 6/1989 Ogawa et al. D8/62
- D347,153 S 5/1994 Uneyama
- D351,772 S * 10/1994 Price D8/62
- D378,183 S * 2/1997 Dognini D8/62
- 5,637,035 A * 6/1997 Yee 451/358
- D394,594 S * 5/1998 Chung D8/62

- D408,244 S * 4/1999 Price D8/62
- D423,898 S * 5/2000 Kelley D8/61
- D433,906 S * 11/2000 Heun D8/62
- D437,199 S * 2/2001 Robson D8/62
- D438,077 S * 2/2001 Schmid D8/61
- D450,989 S 11/2001 Schoen
- D453,098 S * 1/2002 Pretzell D8/62
- D453,288 S 2/2002 Lui

* cited by examiner

Primary Examiner—Doris V. Coles

Assistant Examiner—Elizabeth Albert

(74) *Attorney, Agent, or Firm*—Bruce S. Shapiro; Michael P. Leary

(57) **CLAIM**

The ornamental design for an angle grinder, as shown and described.

DESCRIPTION

FIG. 1 is a front perspective view of an angle grinder showing our new design.

FIG. 2 is a rear perspective view thereof.

FIG. 3 is a left side elevational view thereof.

FIG. 4 is a right side elevational view thereof.

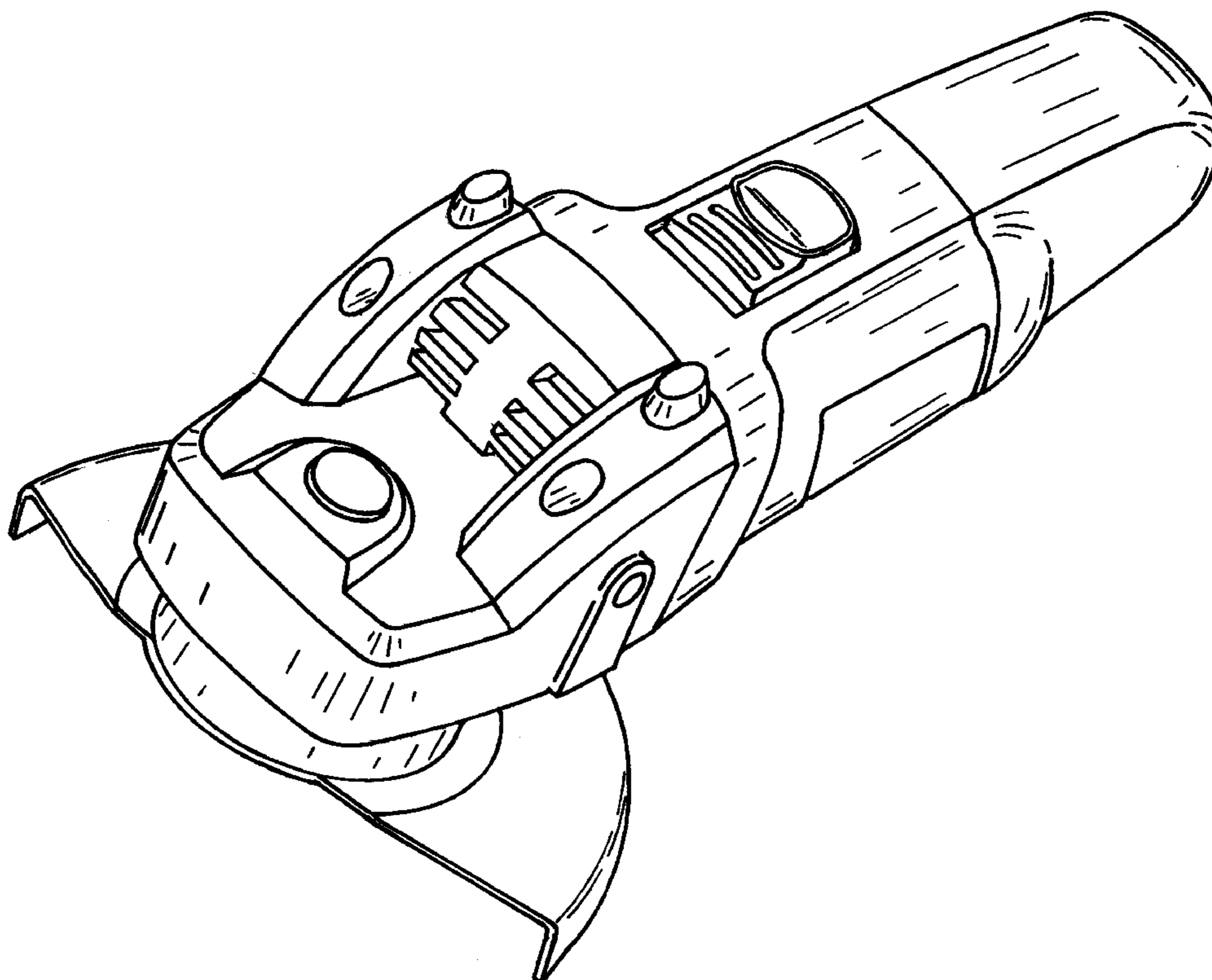
FIG. 5 is a top plan view thereof.

FIG. 6 is a bottom plan view thereof.

FIG. 7 is a front elevational view thereof; and,

FIG. 8 is a rear elevational view thereof.

1 Claim, 7 Drawing Sheets



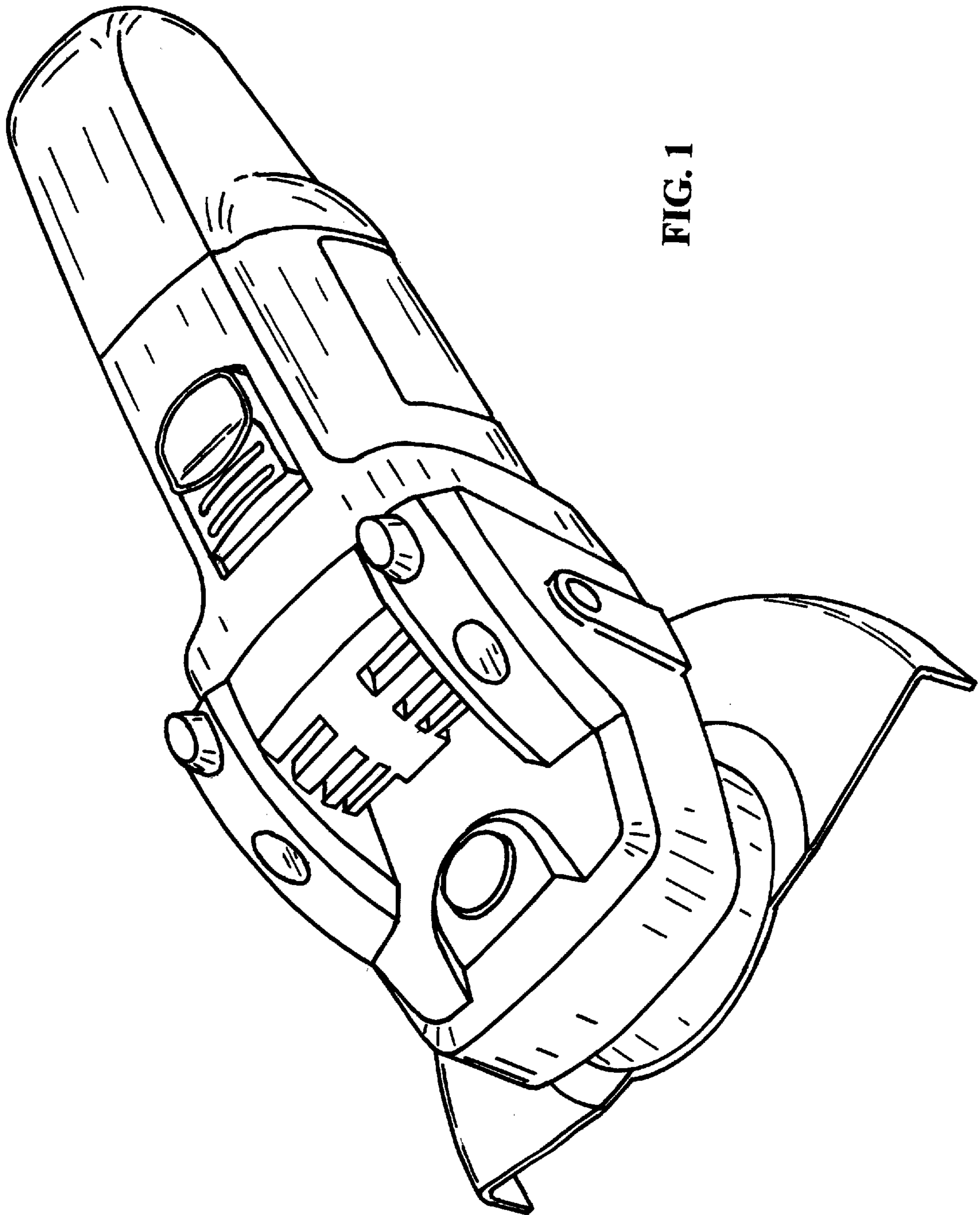


FIG. 1

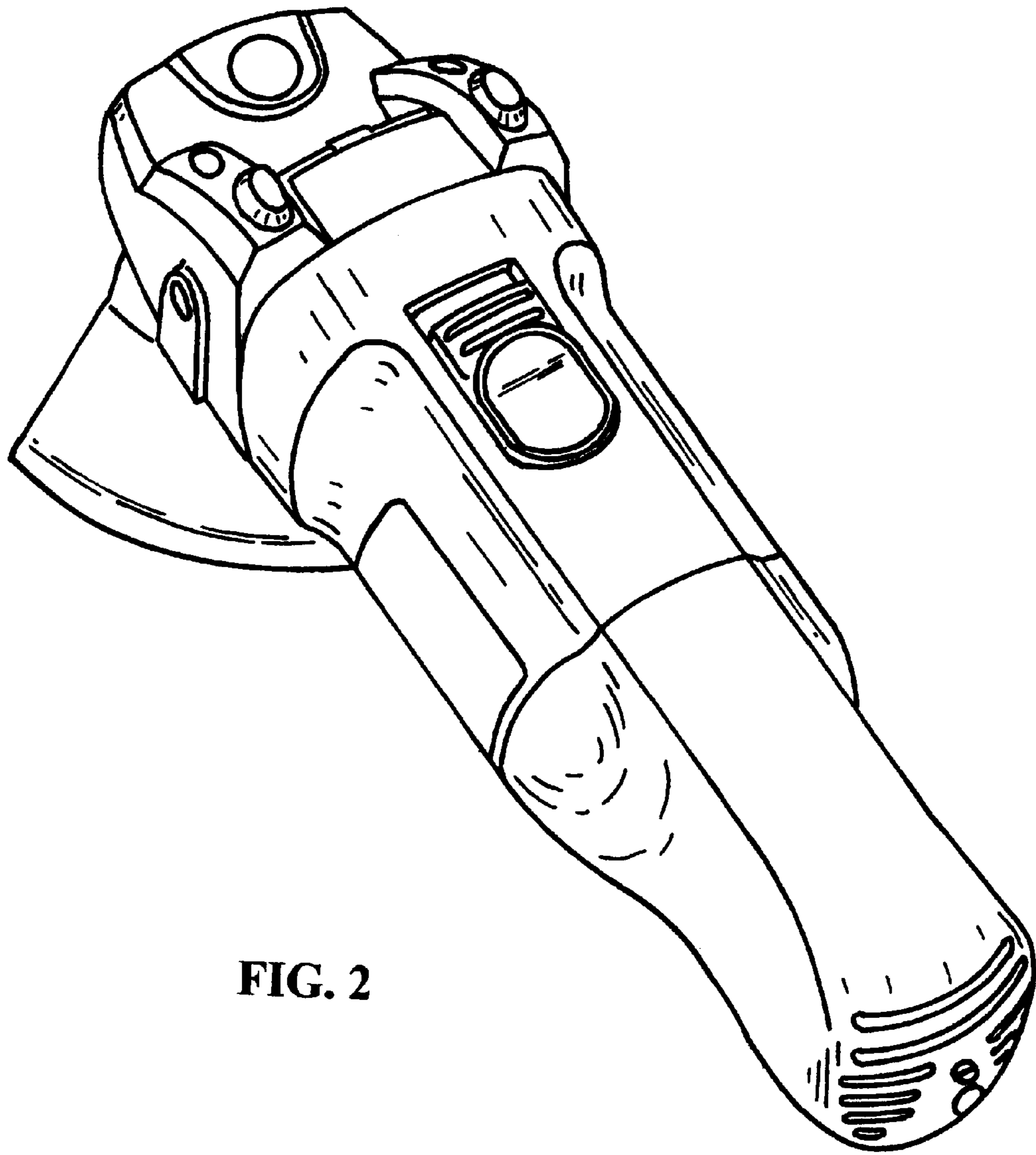


FIG. 2

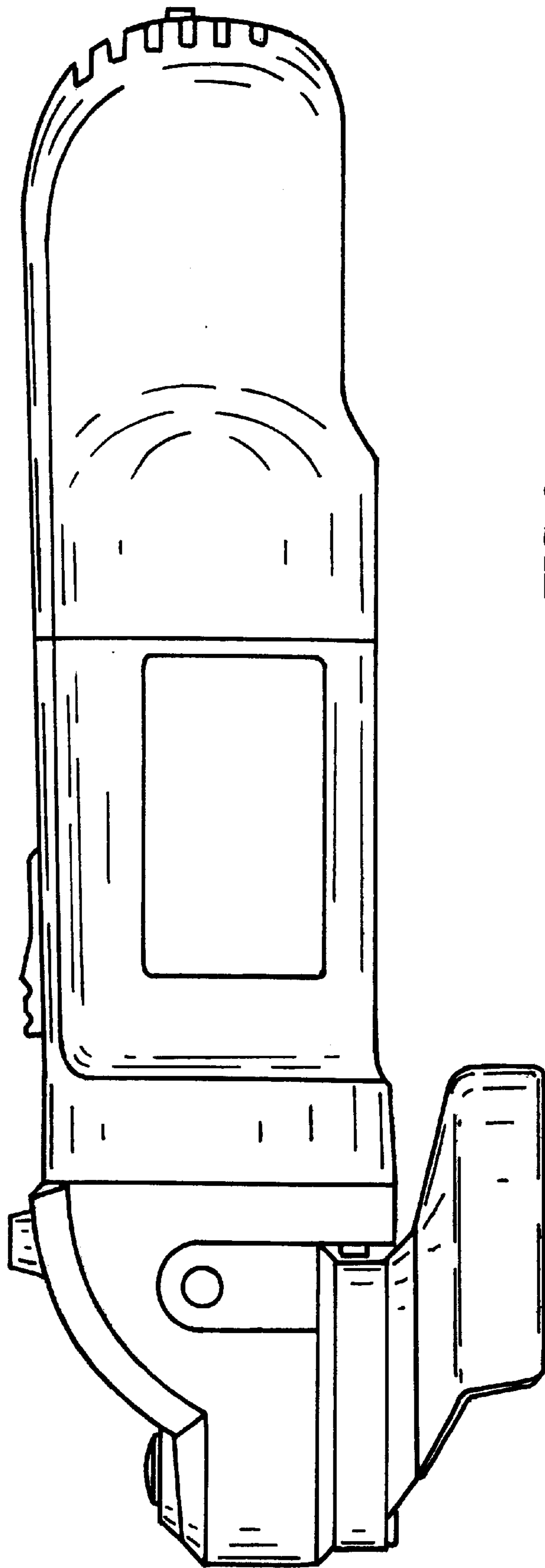


FIG. 3

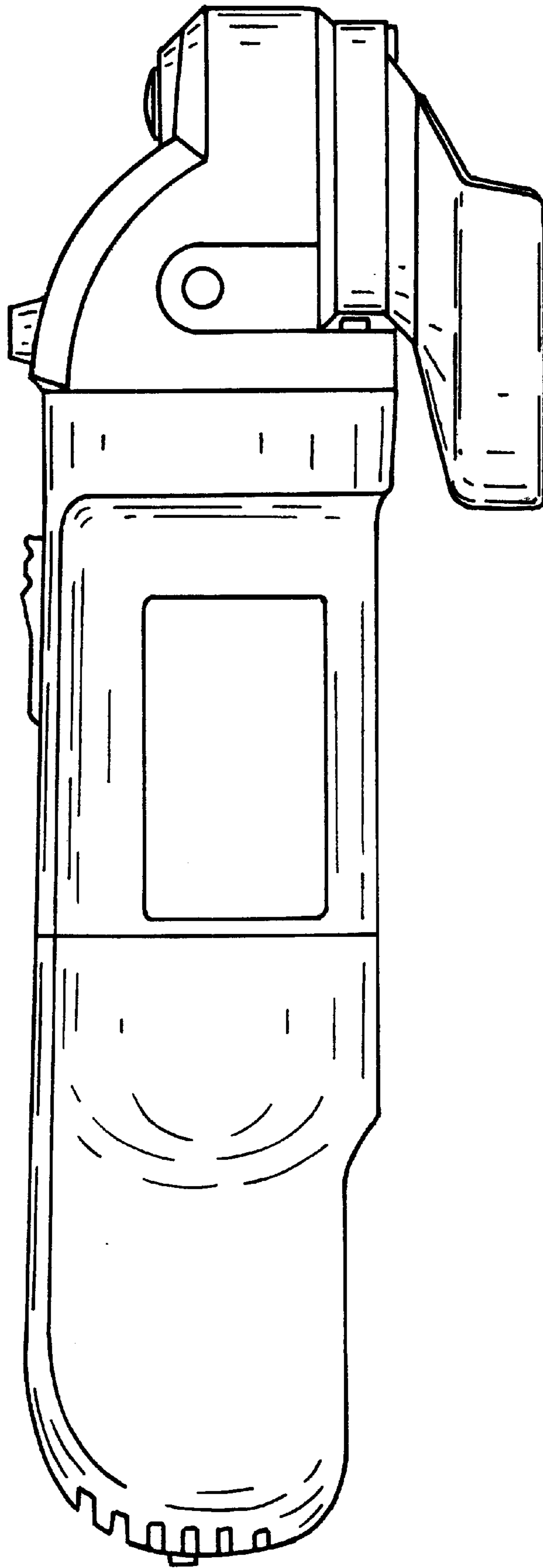


FIG. 4

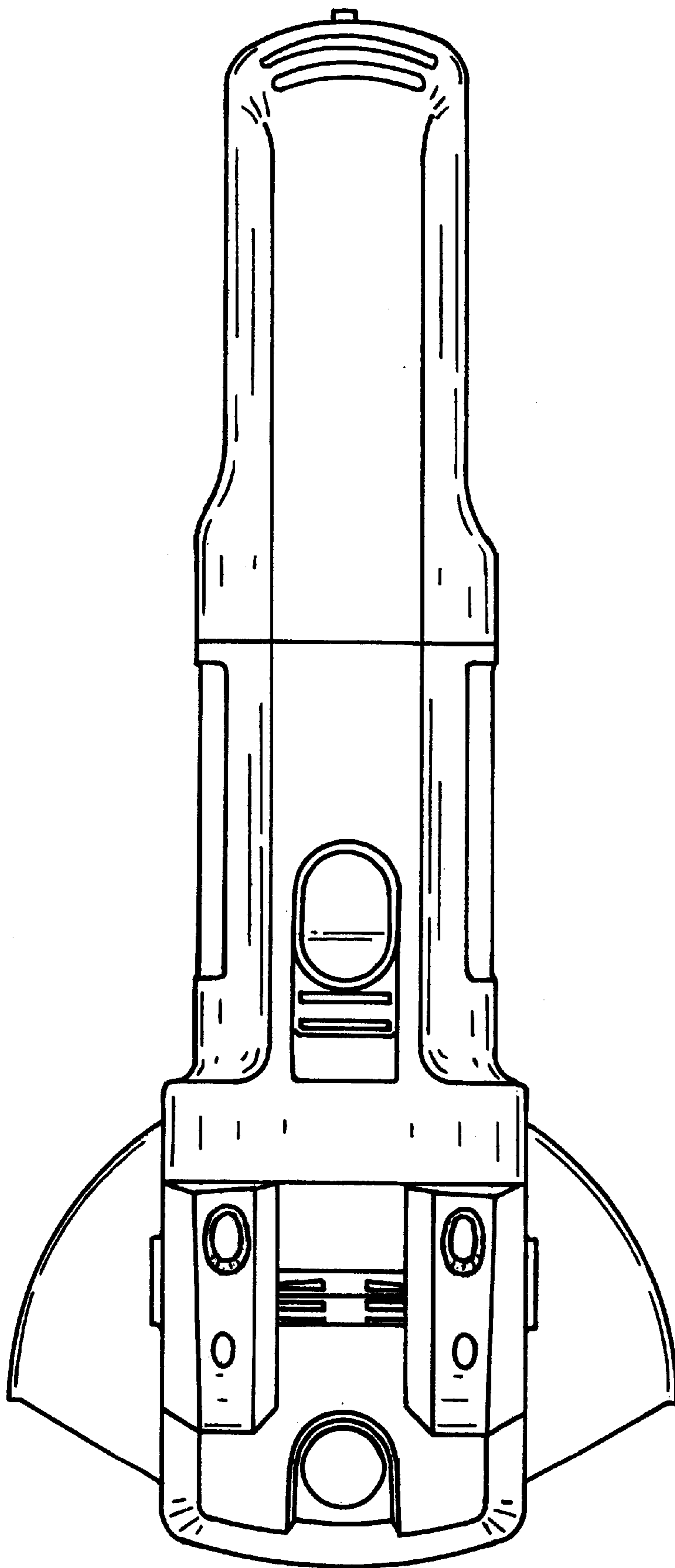


FIG. 5

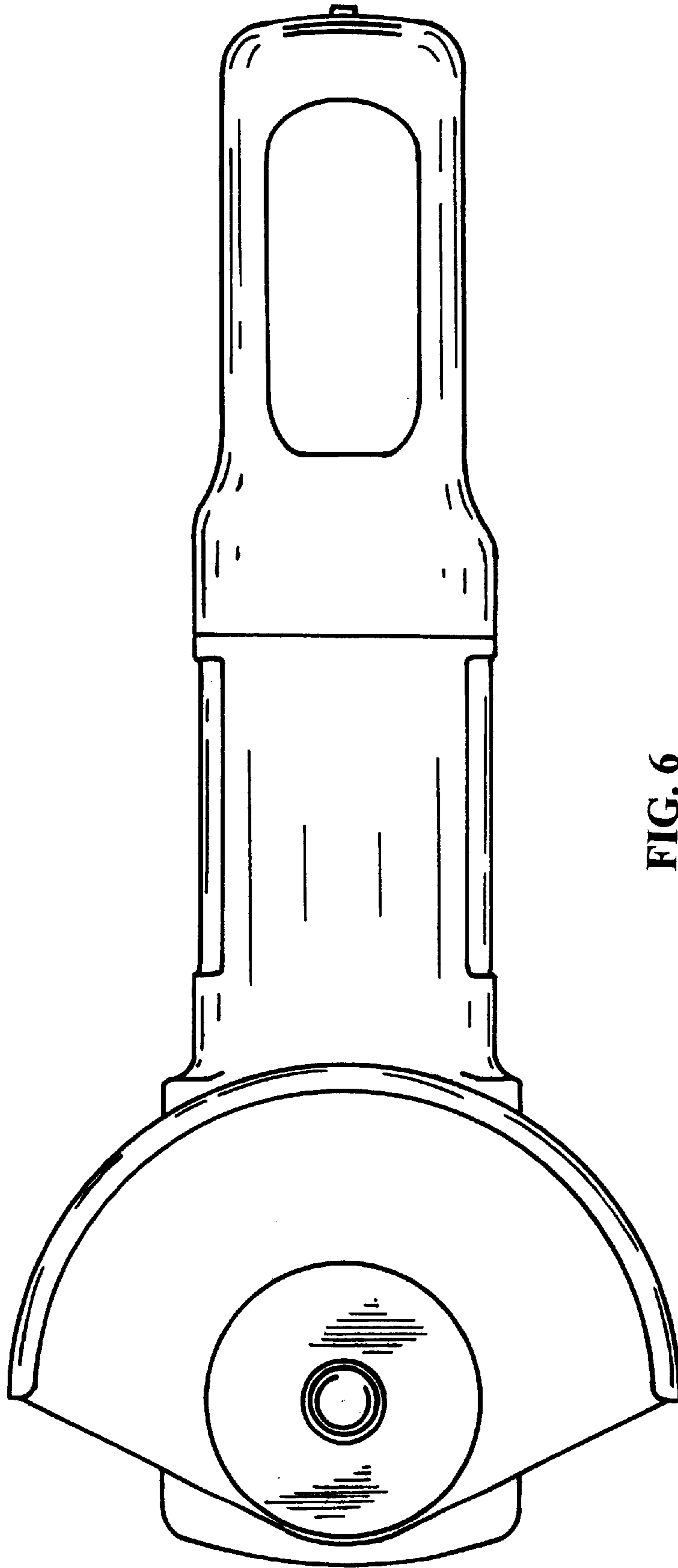


FIG. 6

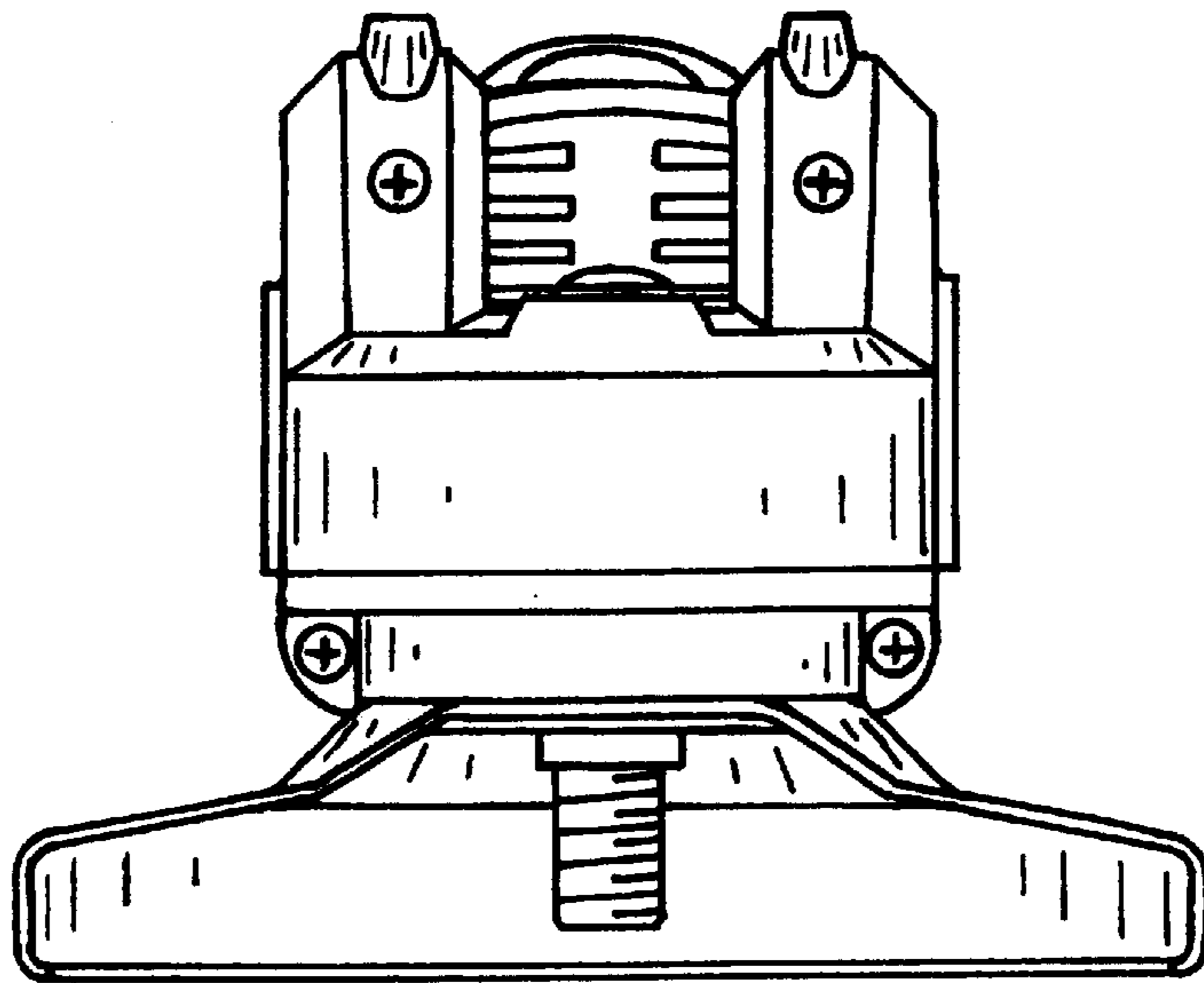


FIG. 7

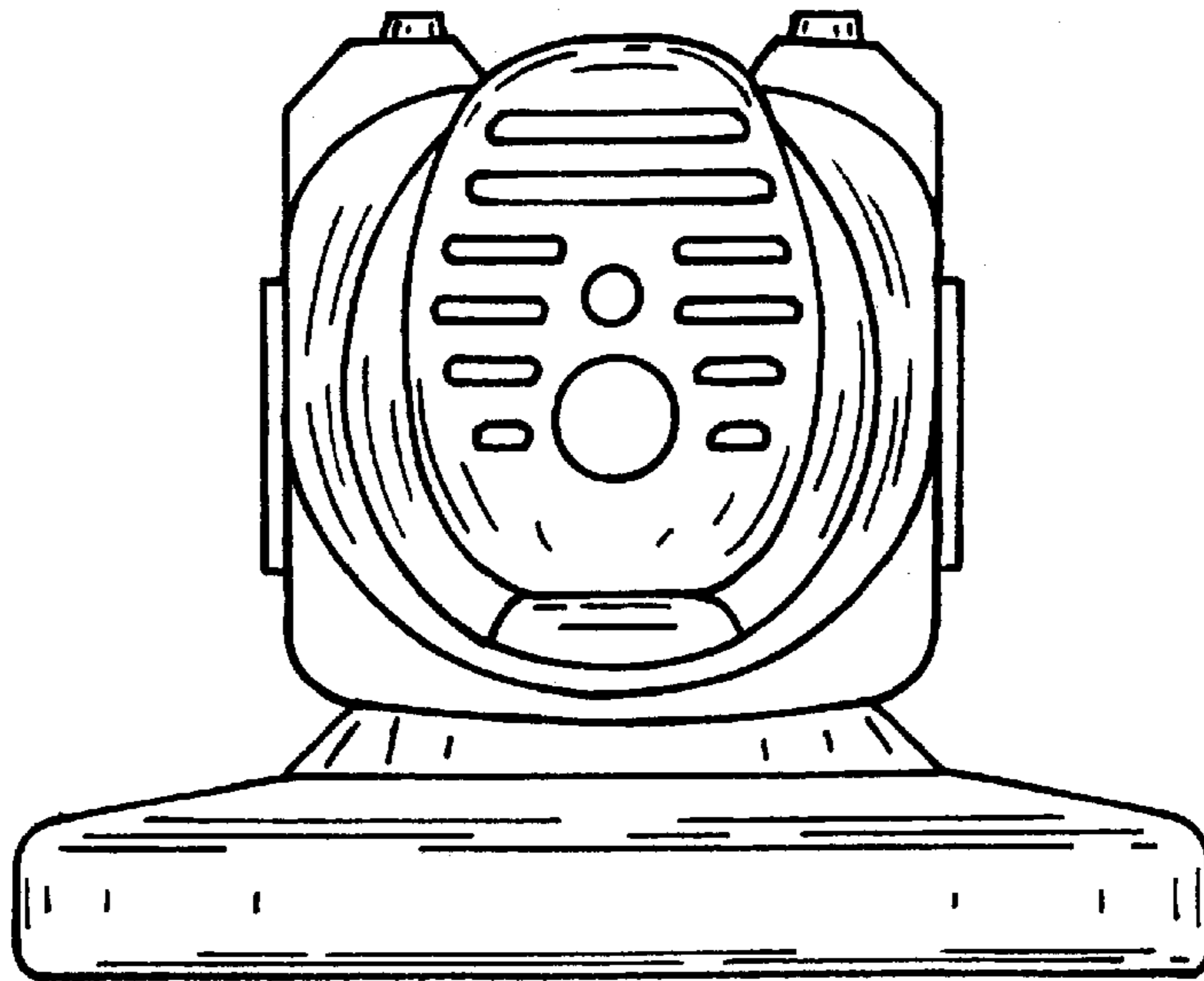


FIG. 8