



US00D479967S

(12) **United States Design Patent**
Schülein

(10) **Patent No.:** **US D479,967 S**

(45) **Date of Patent:** **** Sep. 30, 2003**

(54) **BOTTLE OPENER**

(75) Inventor: **Rolf-Günter Schülein**, Singhofen (DE)

(73) Assignee: **Leifheit AG**, Nassau (DE)

(**) Term: **14 Years**

(21) Appl. No.: **29/165,600**

(22) Filed: **Aug. 13, 2002**

(30) **Foreign Application Priority Data**

Feb. 13, 2002 (DE) 4 02 01 222

(51) **LOC (7) Cl.** **07-99**

(52) **U.S. Cl.** **D8/40**

(58) **Field of Search** D8/33-43; 7/151-156;
30/400-450; 81/3.07-3.49

(56) **References Cited**

U.S. PATENT DOCUMENTS

D109,695 S * 5/1938 Calencia D8/18

D196,249 S * 9/1963 Kominik D8/40
D278,203 S * 4/1985 Braukmann D8/40
D278,950 S * 5/1985 Vaughan D3/208

* cited by examiner

Primary Examiner—Caron D. Veynar

(74) *Attorney, Agent, or Firm*—Frishauf, Holtz, Goodman & Chick, P.C.

(57) **CLAIM**

The ornamental design for a bottle opener, as shown and described.

DESCRIPTION

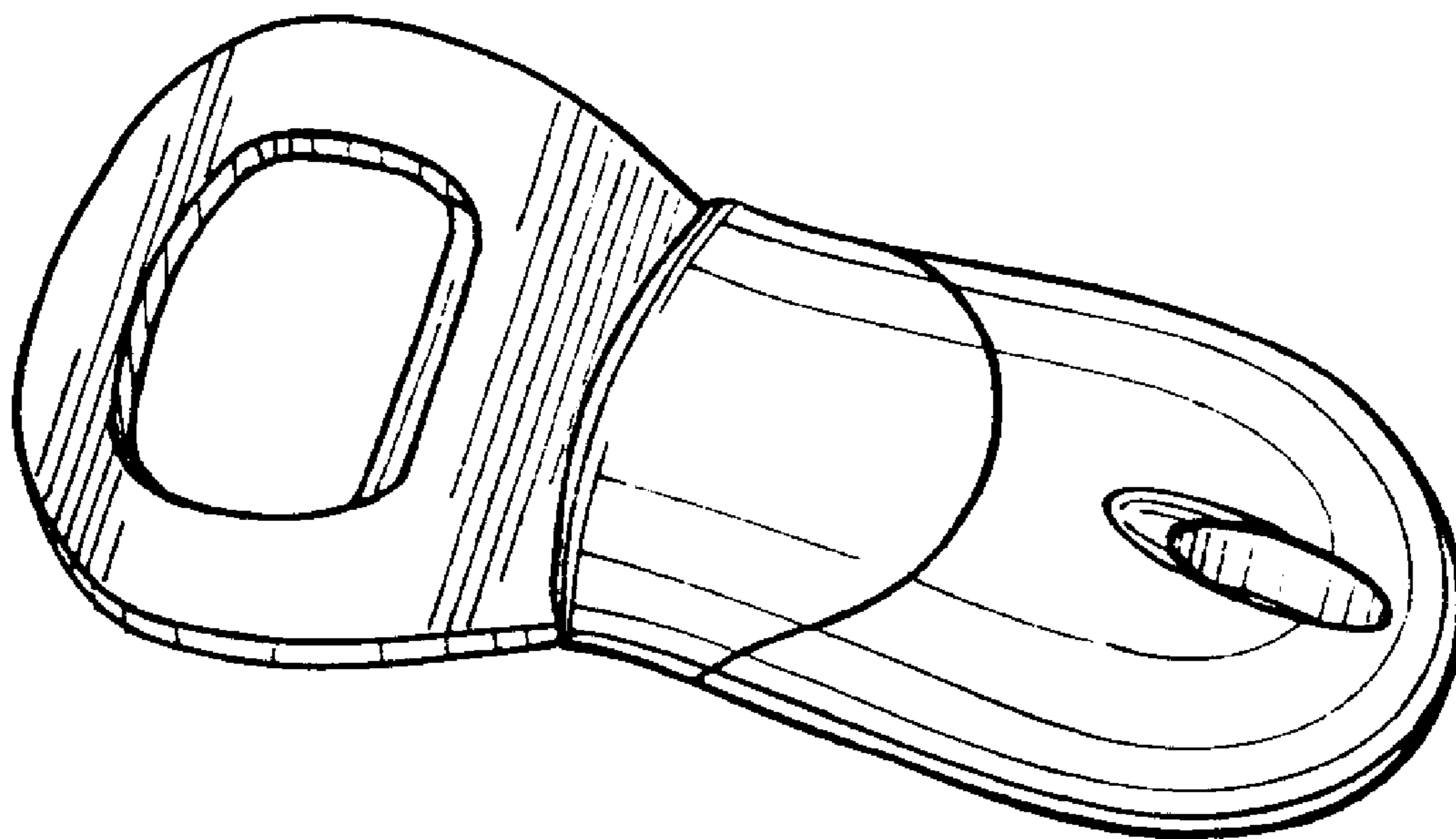
FIG. 1 is a top, front, left-side perspective view of a bottle opener showing my new design;

FIG. 2 is a top view thereof;

FIG. 3 is a right side view thereof, the left side view being a mirror image; and,

FIG. 4 is a bottom view thereof.

1 Claim, 1 Drawing Sheet



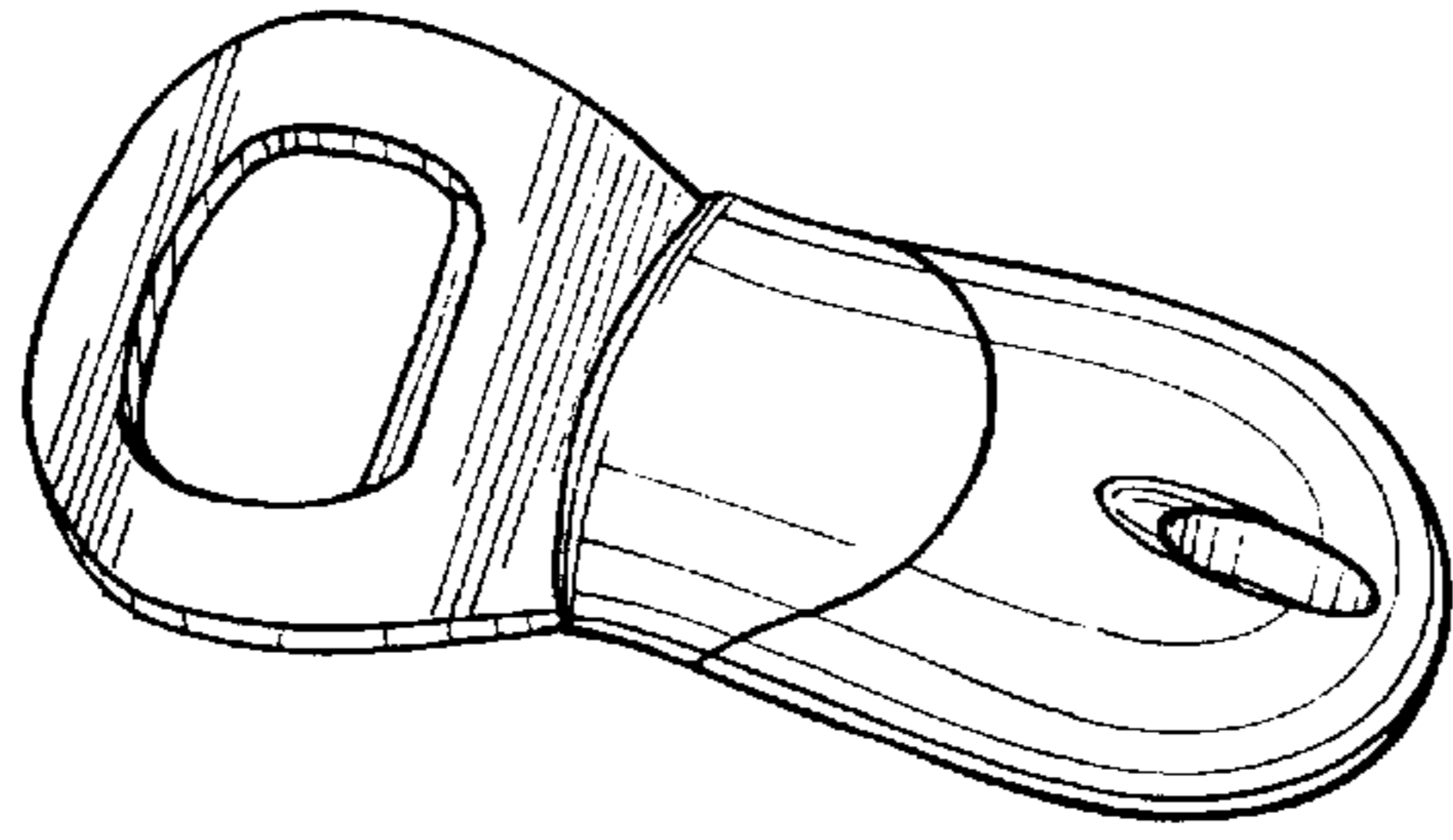


Fig. 1

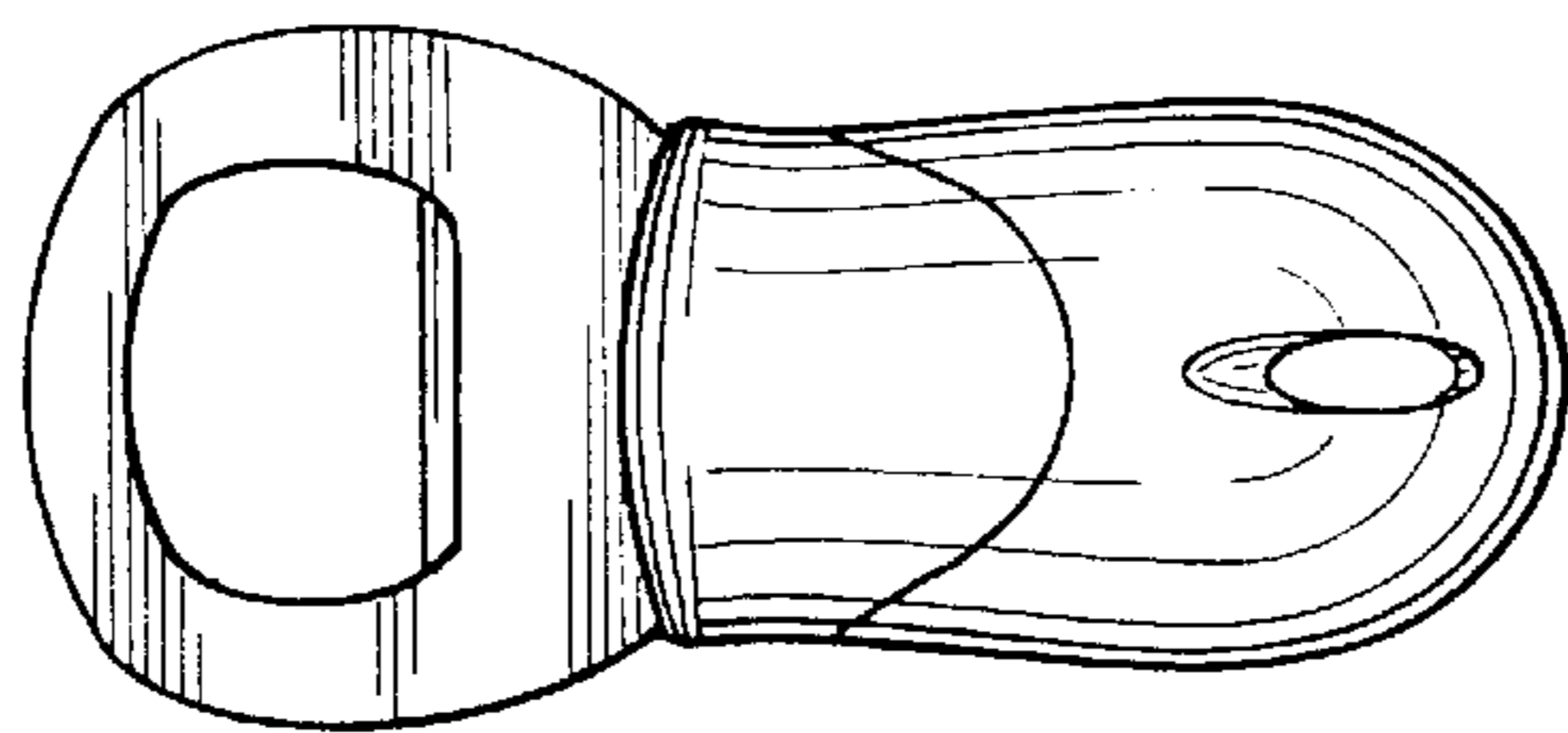


Fig. 2

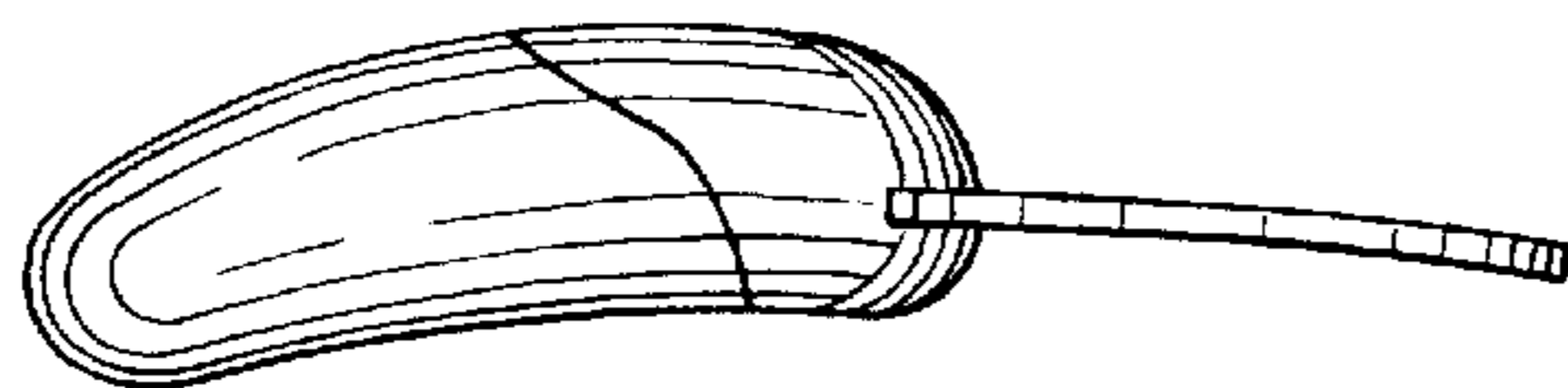


Fig. 3

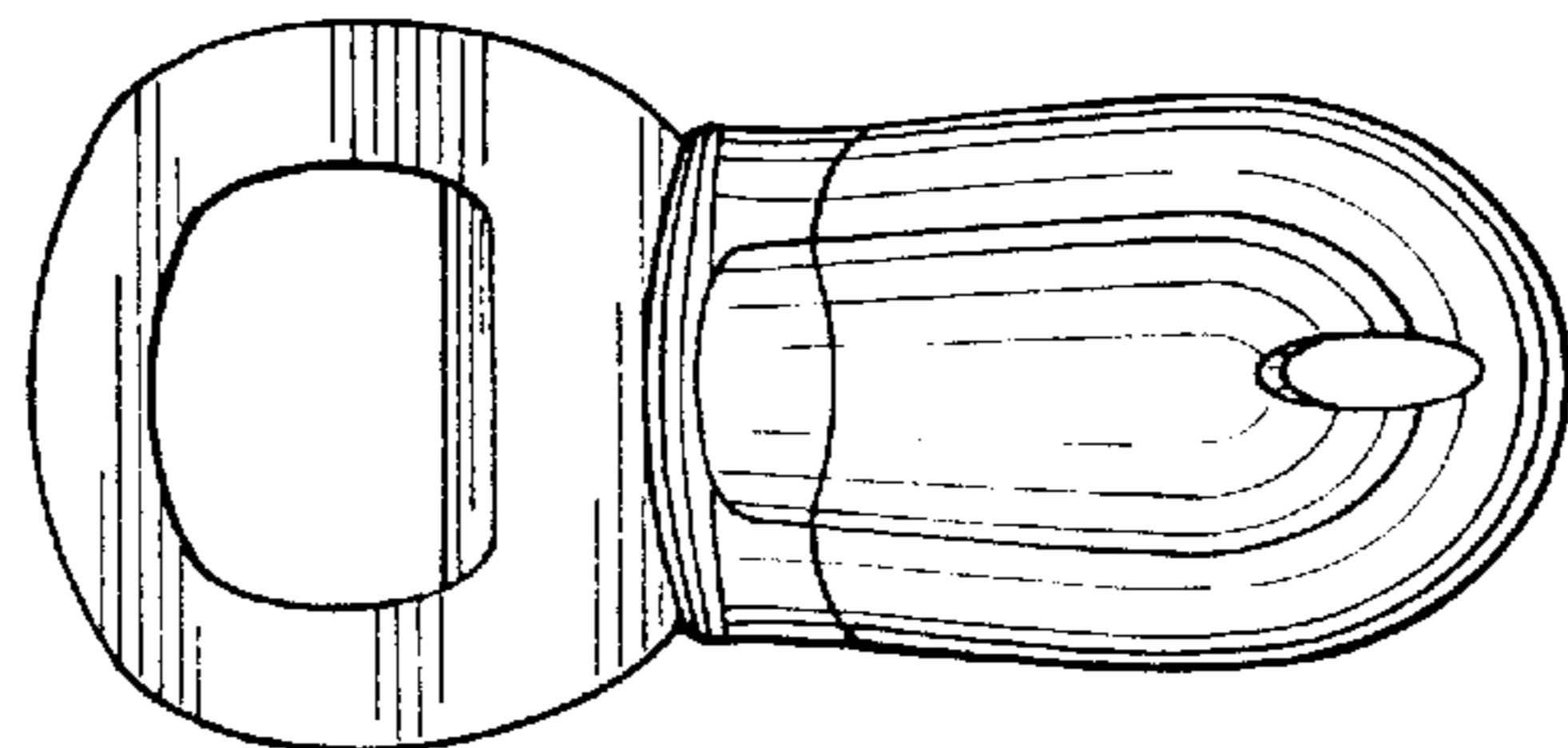


Fig. 4