



US00D479966S

(12) **United States Design Patent**
Falt et al.

(10) **Patent No.:** **US D479,966 S**

(45) **Date of Patent:** **** Sep. 30, 2003**

(54) **WOOD GOLF CLUB-HEAD BOTTLE
OPENER**

D410,057 S * 5/1999 Ortiz D21/752
D458,325 S * 6/2002 Antonious D21/733

(76) Inventors: **Douglas C. Falt**, 2208 Arabian Pl.,
Corona, CA (US) 92879; **Layne M.
Barry**, 2208 Arabian Pl., Corona, CA
(US) 92879

* cited by examiner

Primary Examiner—Caron D. Veynar
(74) *Attorney, Agent, or Firm*—Stradling Yocca Carlson &
Rauth

(**) Term: **14 Years**

(57) **CLAIM**

(21) Appl. No.: **29/171,814**

The ornamental design for a wood golf club-head bottle
opener, as shown and described.

(22) Filed: **Nov. 27, 2002**

DESCRIPTION

(51) **LOC (7) Cl.** **07-99**

(52) **U.S. Cl.** **D8/38; D21/735**

(58) **Field of Search** D8/33-43; 7/151-156;
30/400-450; 81/3.07-3.49; D21/733-752;
D11/157, 158

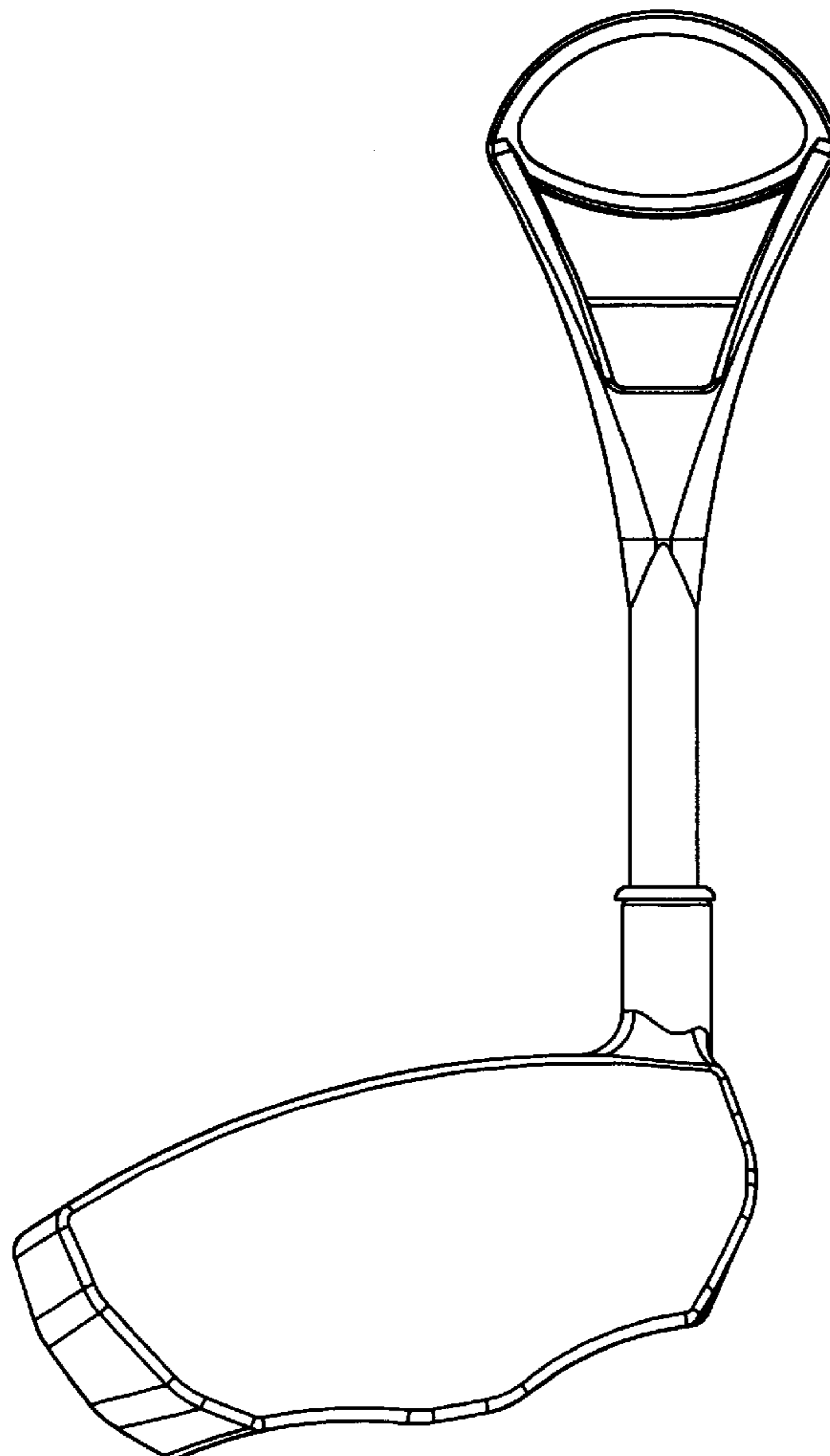
FIG. 1 is a front plan view of the wood golf club-head bottle
opener according to the invention;
FIG. 2 is a top plan view thereof;
FIG. 3 is a side view looking from the shaft and hosel
portion along the club.
FIG. 4 is a rear plan view of the wood golf club-head bottle
opener according to the invention; and,
FIG. 5 is a perspective view thereof.

(56) **References Cited**

U.S. PATENT DOCUMENTS

D365,614 S * 12/1995 Su D21/752
D397,387 S * 8/1998 Allen D21/733

1 Claim, 3 Drawing Sheets



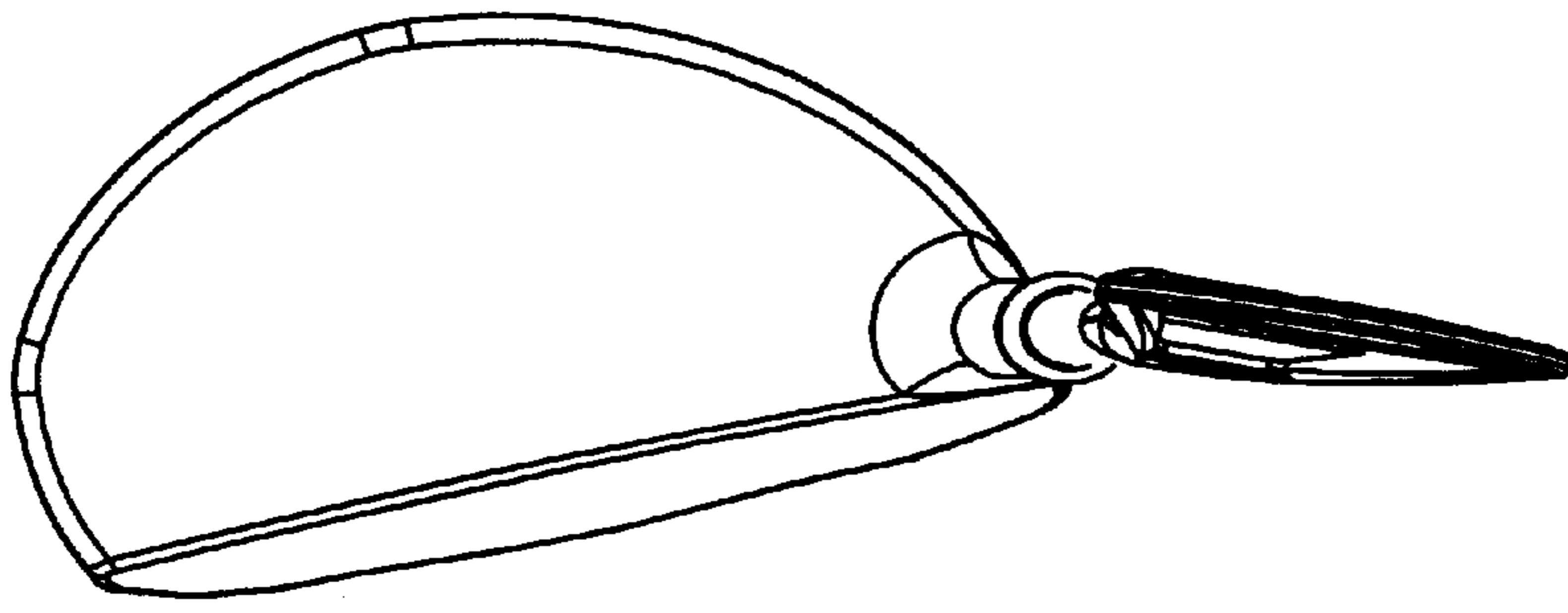


Fig. 2

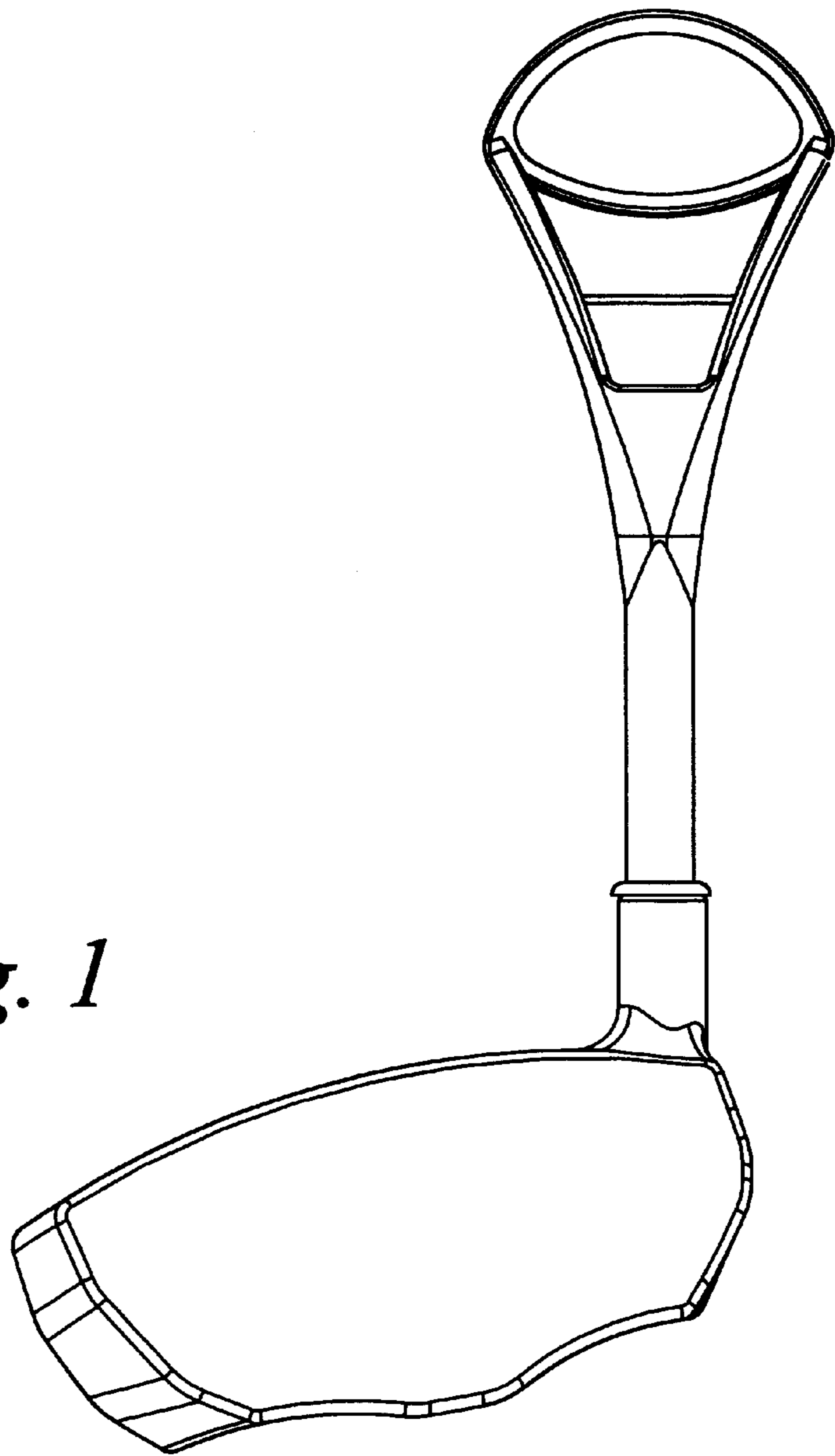


Fig. 1

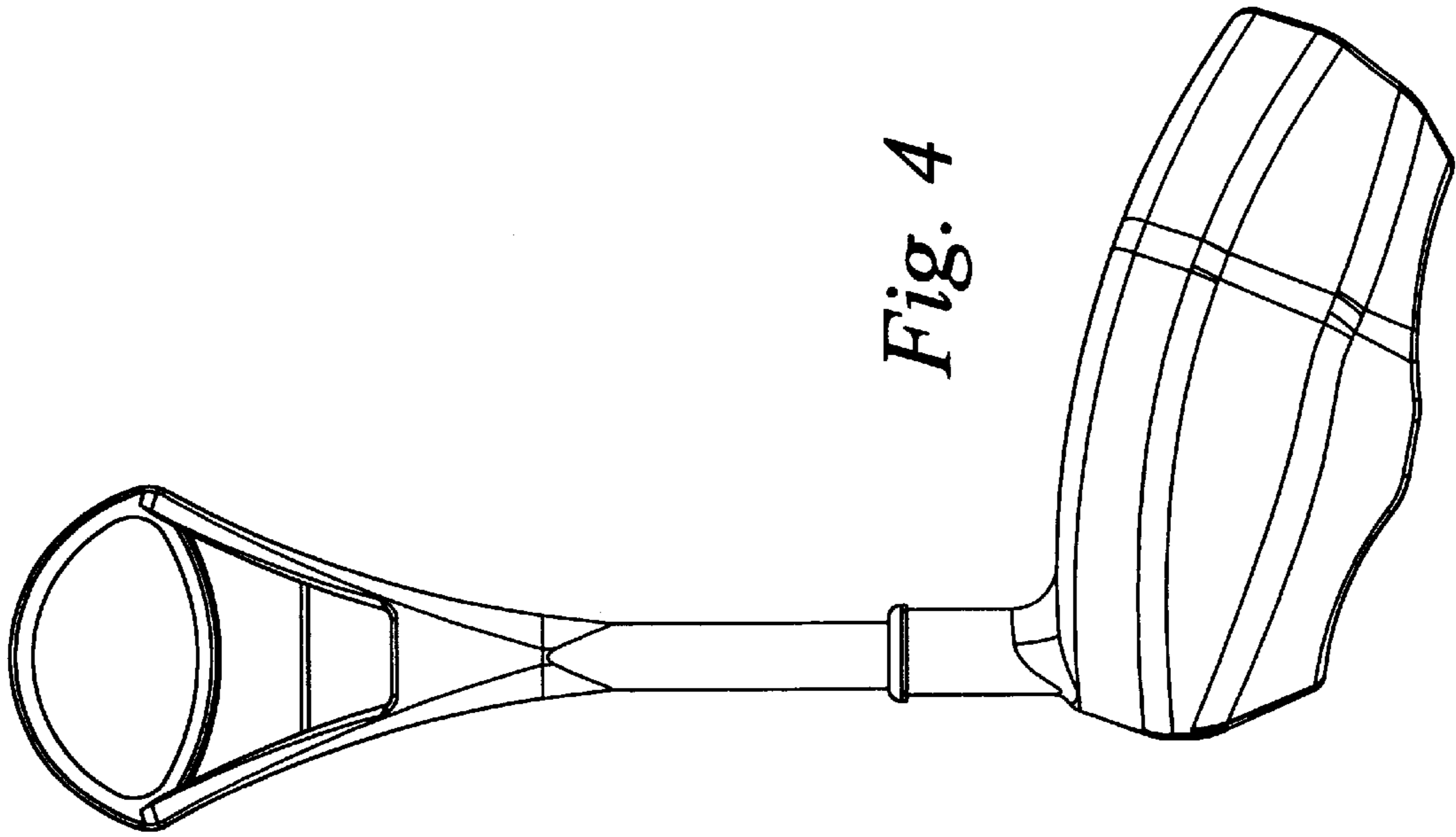


Fig. 4

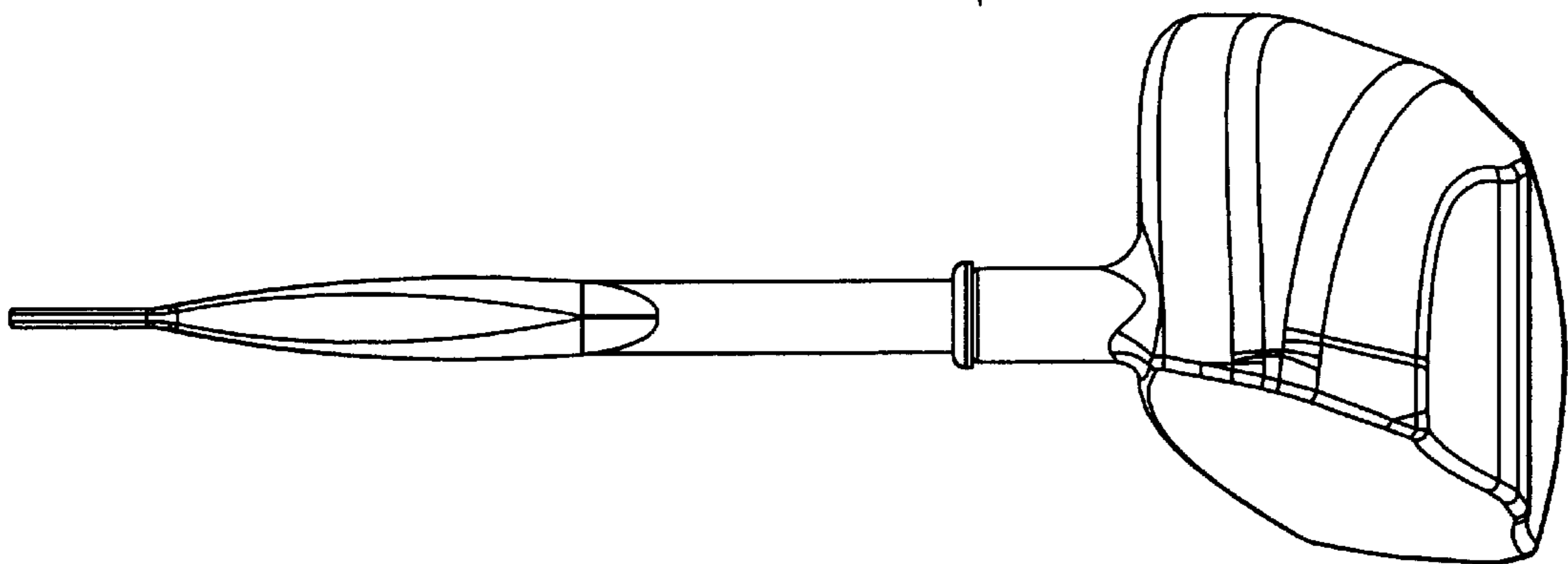


Fig. 3

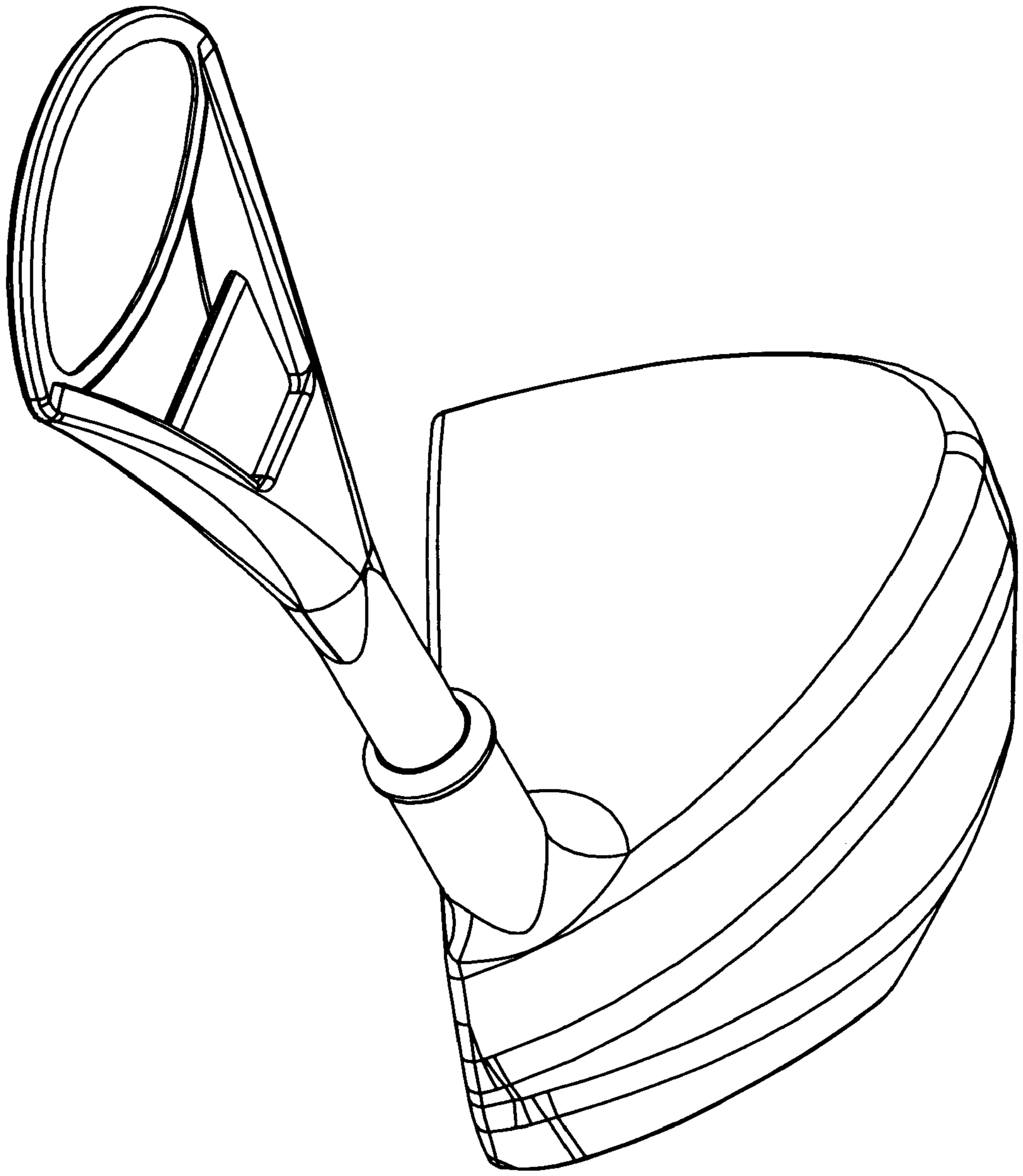


FIG. 5