



US00D479963S

(12) **United States Design Patent**
Chang

(10) **Patent No.:** **US D479,963 S**

(45) **Date of Patent:** **** Sep. 30, 2003**

(54) **FOLDING HEX KEY**

(76) **Inventor:** **Hungming Chang**, No. 3-1, Lane 63,
Sec. 3, Junghe City, Taipei (TW)

(**) **Term:** **14 Years**

(21) **Appl. No.:** **29/173,323**

(22) **Filed:** **Dec. 27, 2002**

(51) **LOC (7) Cl.** **08-05**

(52) **U.S. Cl.** **D8/21; D8/105**

(58) **Field of Search** D8/14, 55, 83,
D8/93-94, 104-105, 21-23, 85, 87, 99,
107; 7/118, 128, 131, 135; 30/169, 123,
154-155, 186, 191; 81/440

(56) **References Cited**

U.S. PATENT DOCUMENTS

D156,677 S	*	12/1949	Smith	D8/21
D364,327 S	*	11/1995	Graham	D8/105
D382,190 S	*	8/1997	Blackston et al.	D8/107
D410,188 S	*	5/1999	Dossett	D8/99
D416,184 S	*	11/1999	Gathmann	D8/107
6,112,351 A	*	9/2000	Hawkins et al.	7/138
6,128,981 A	*	10/2000	Bondhus et al.	81/440
D434,961 S	*	12/2000	Elsener, Sr.	D8/107

D447,041 S * 8/2001 Rivera D8/107

D455,630 S * 4/2002 Chiu D8/105

D471,421 S * 3/2003 Lang D8/105

* cited by examiner

Primary Examiner—Nelson C. Holtje

(74) *Attorney, Agent, or Firm*—Birch, Stewart, Kolasch &
Birch, LLP

(57) **CLAIM**

The ornamental design for 'folding hex key', as shown and described.

DESCRIPTION

FIG. 1 is a perspective view of a folding hex key showing my new design;

FIG. 2 is a right side elevational view thereof;

FIG. 3 is a top plan view thereof;

FIG. 4 is a front elevational view thereof;

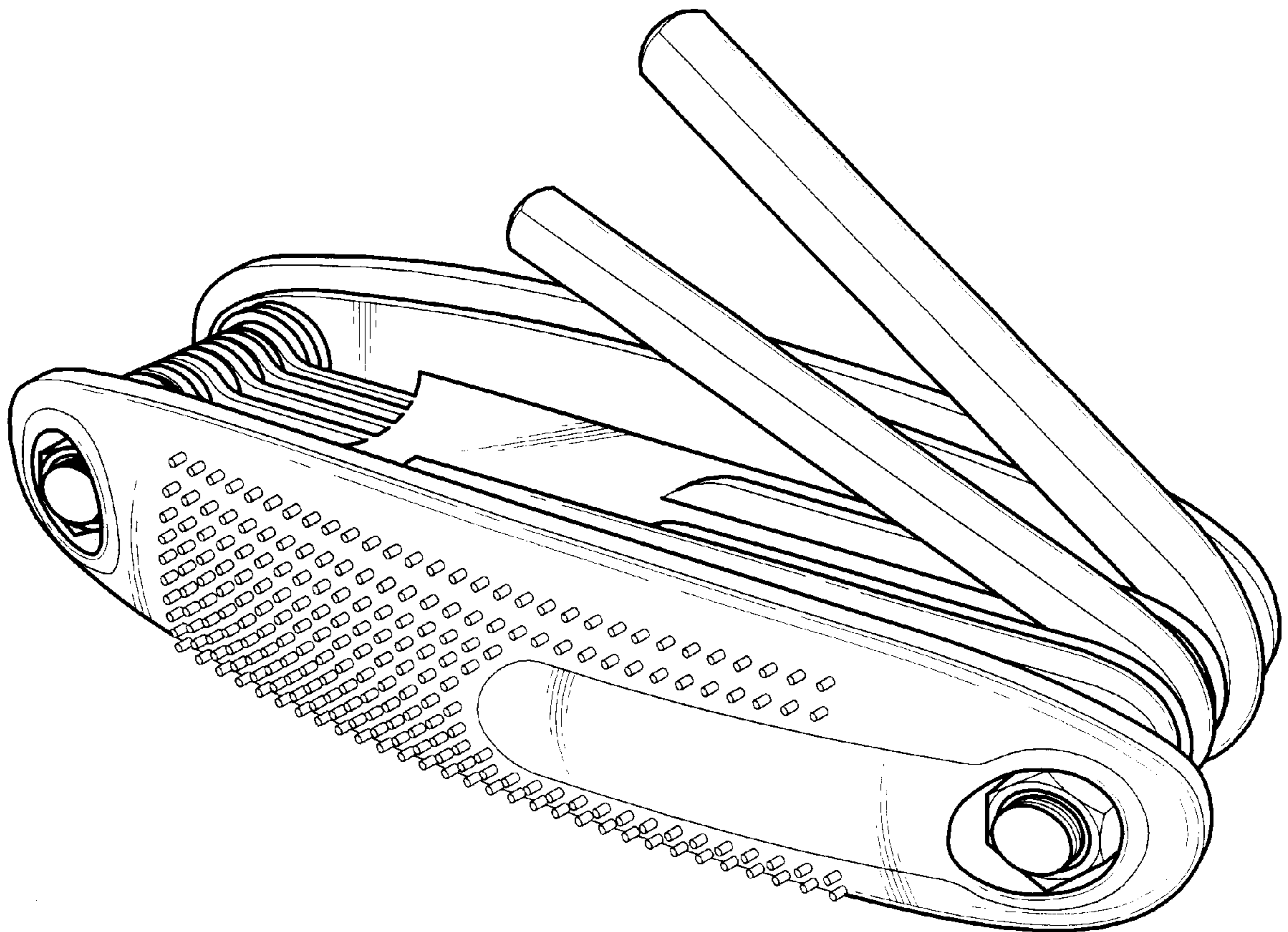
FIG. 5 is a bottom plan view thereof;

FIG. 6 is a left side elevational view thereof;

FIG. 7 is a rear elevational view thereof; and,

FIG. 8 is another perspective view of FIG. 1 in an open position.

1 Claim, 4 Drawing Sheets



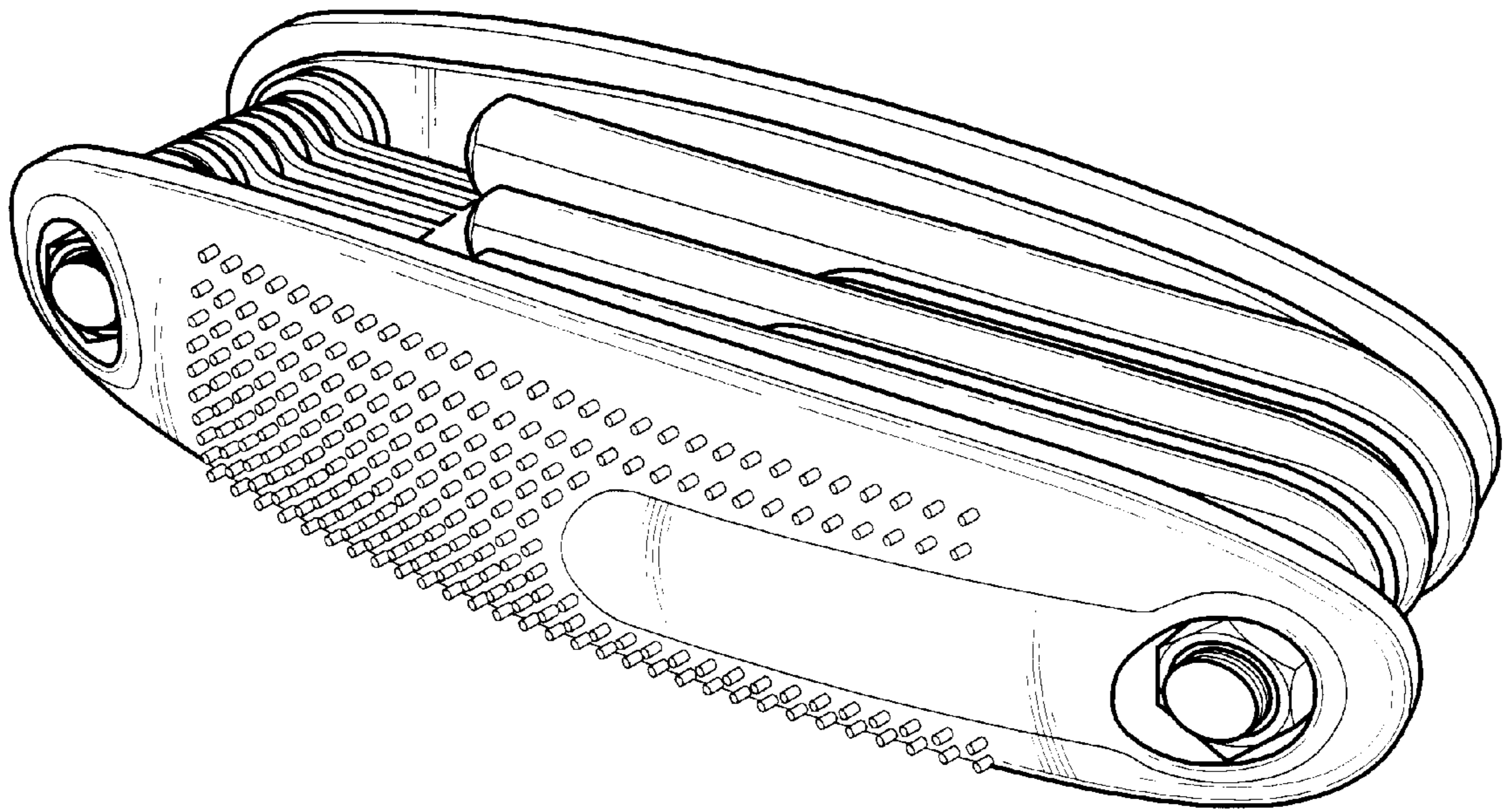


Fig.1

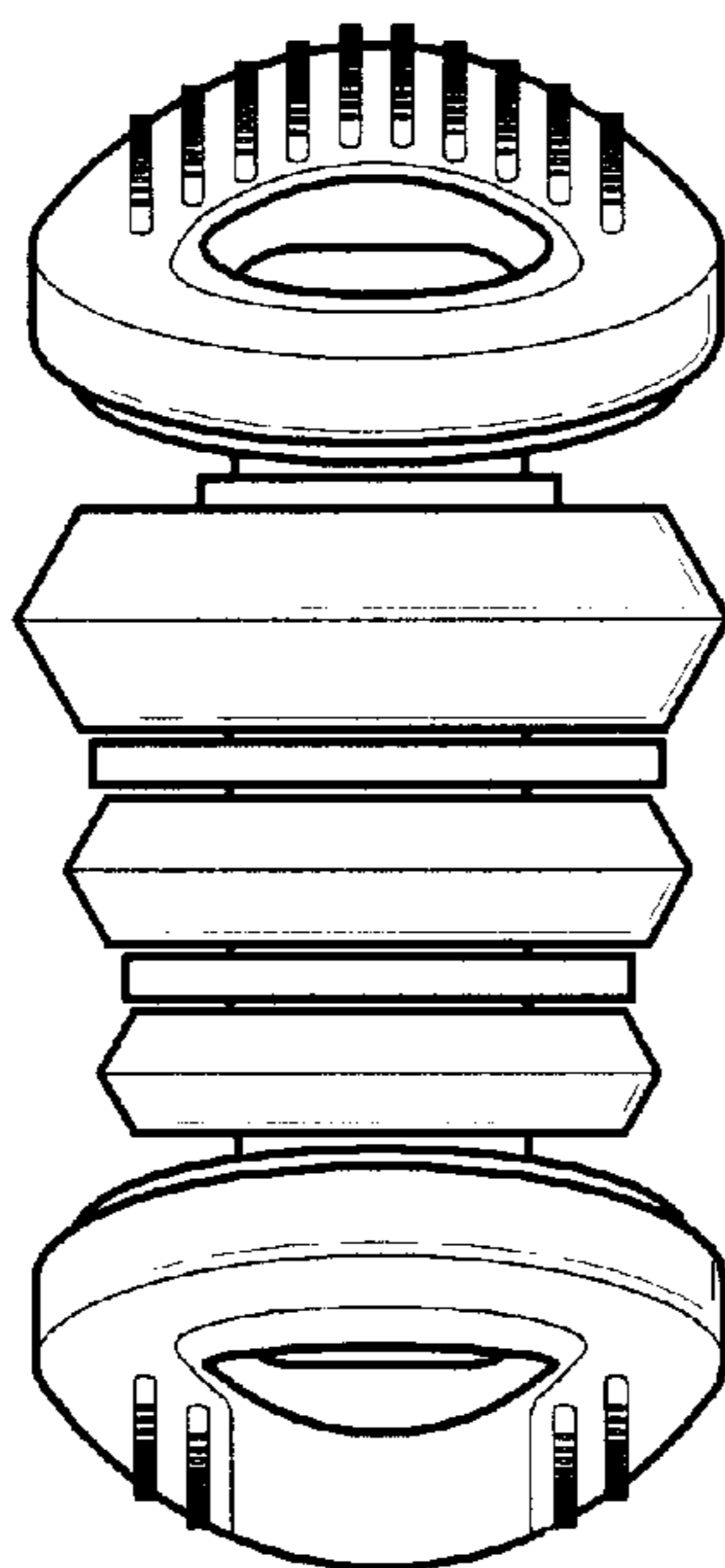


Fig.2

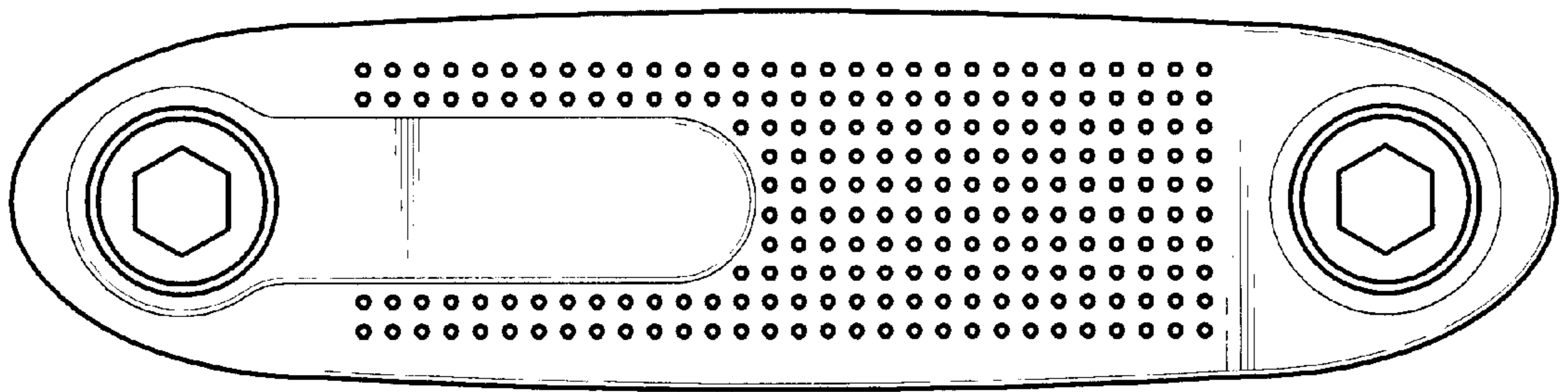


Fig.3

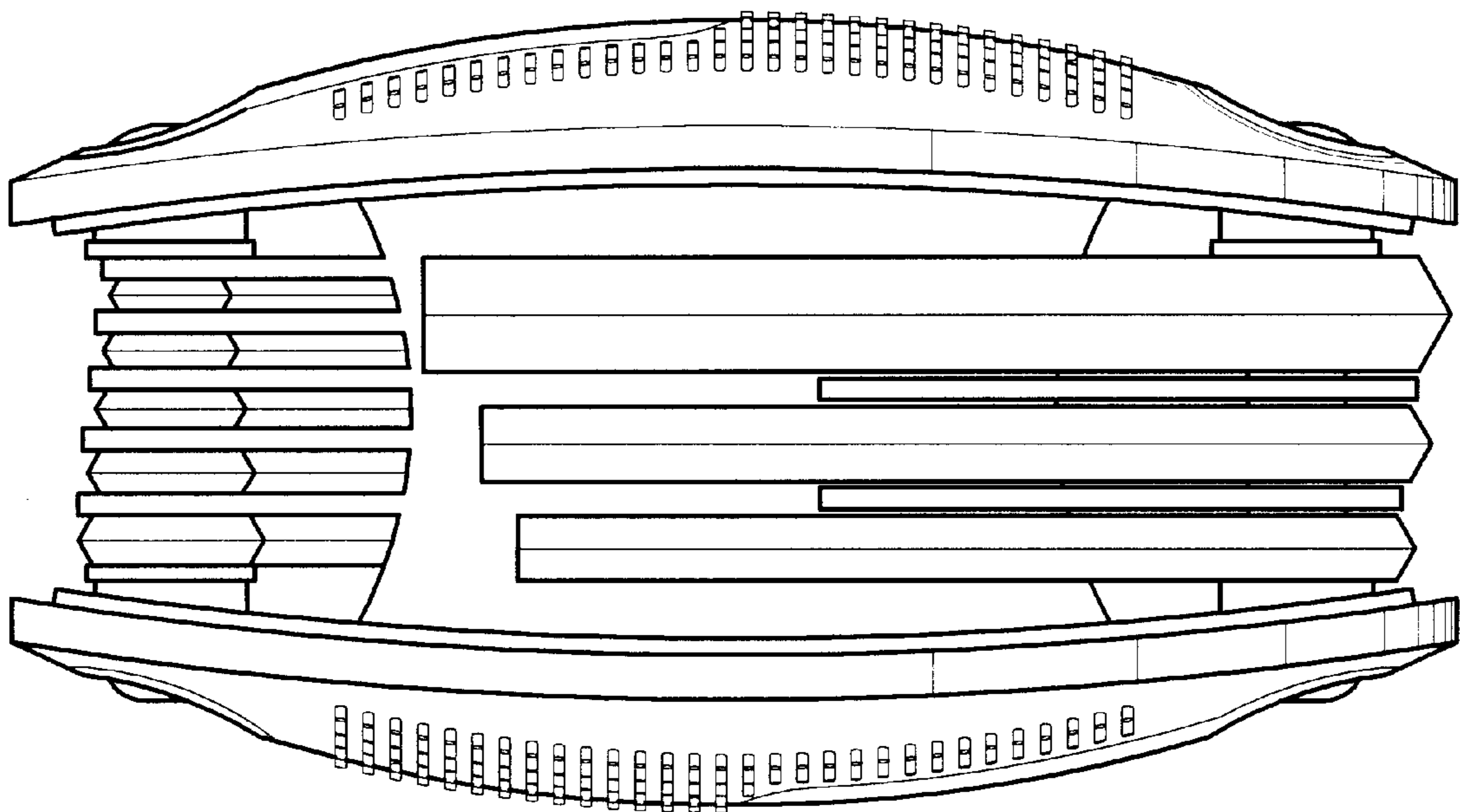


Fig.4

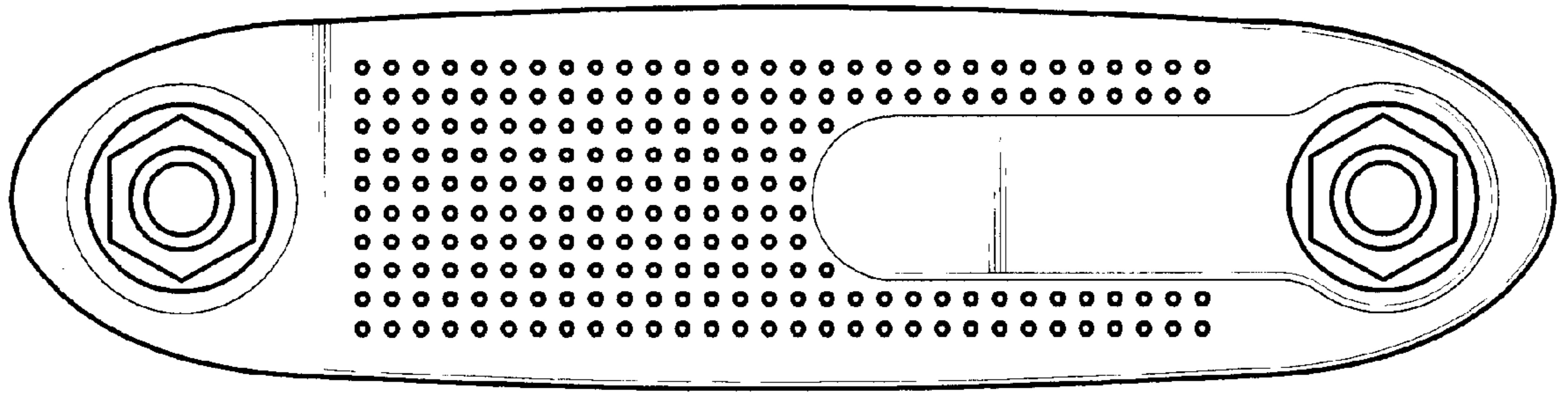


Fig. 5

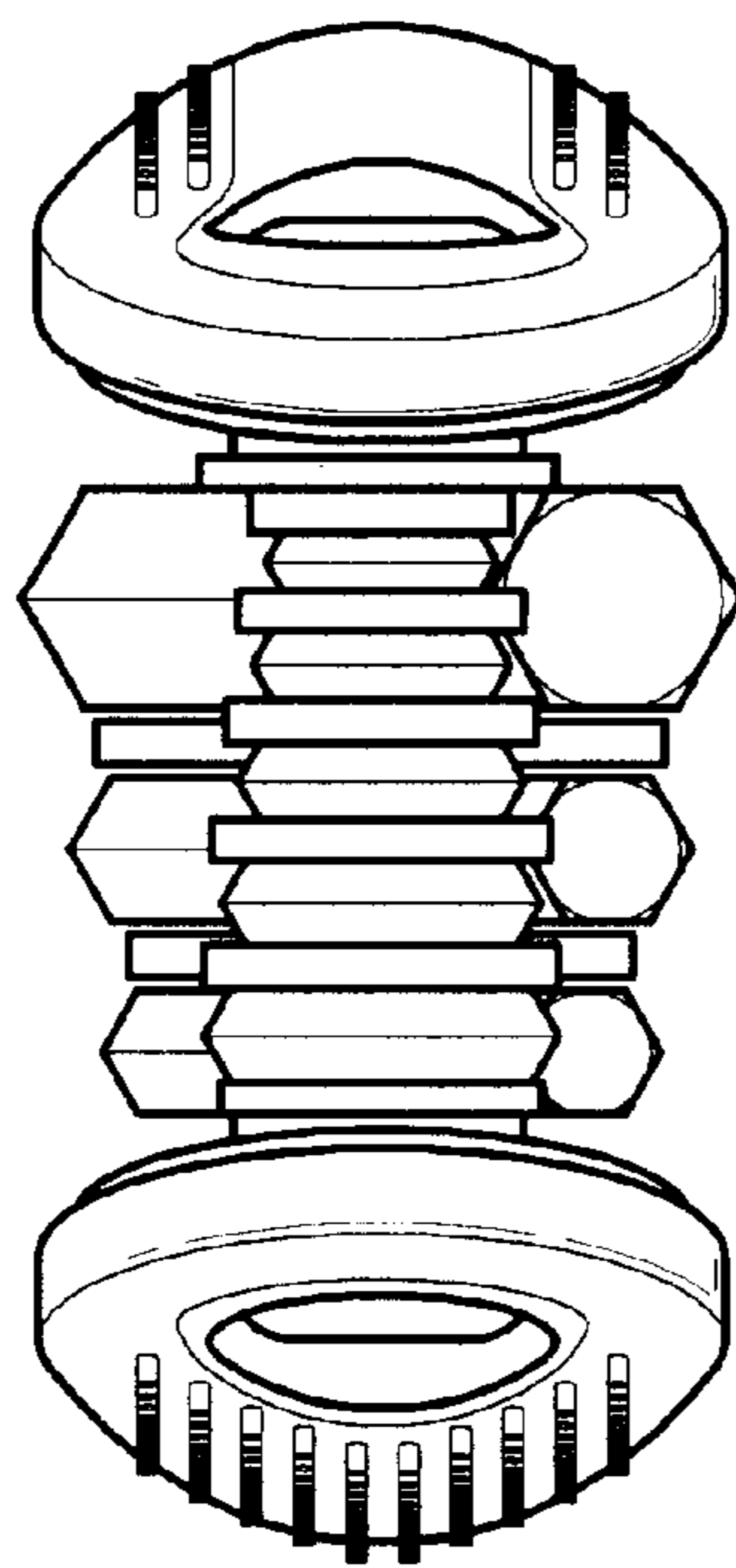


Fig. 6

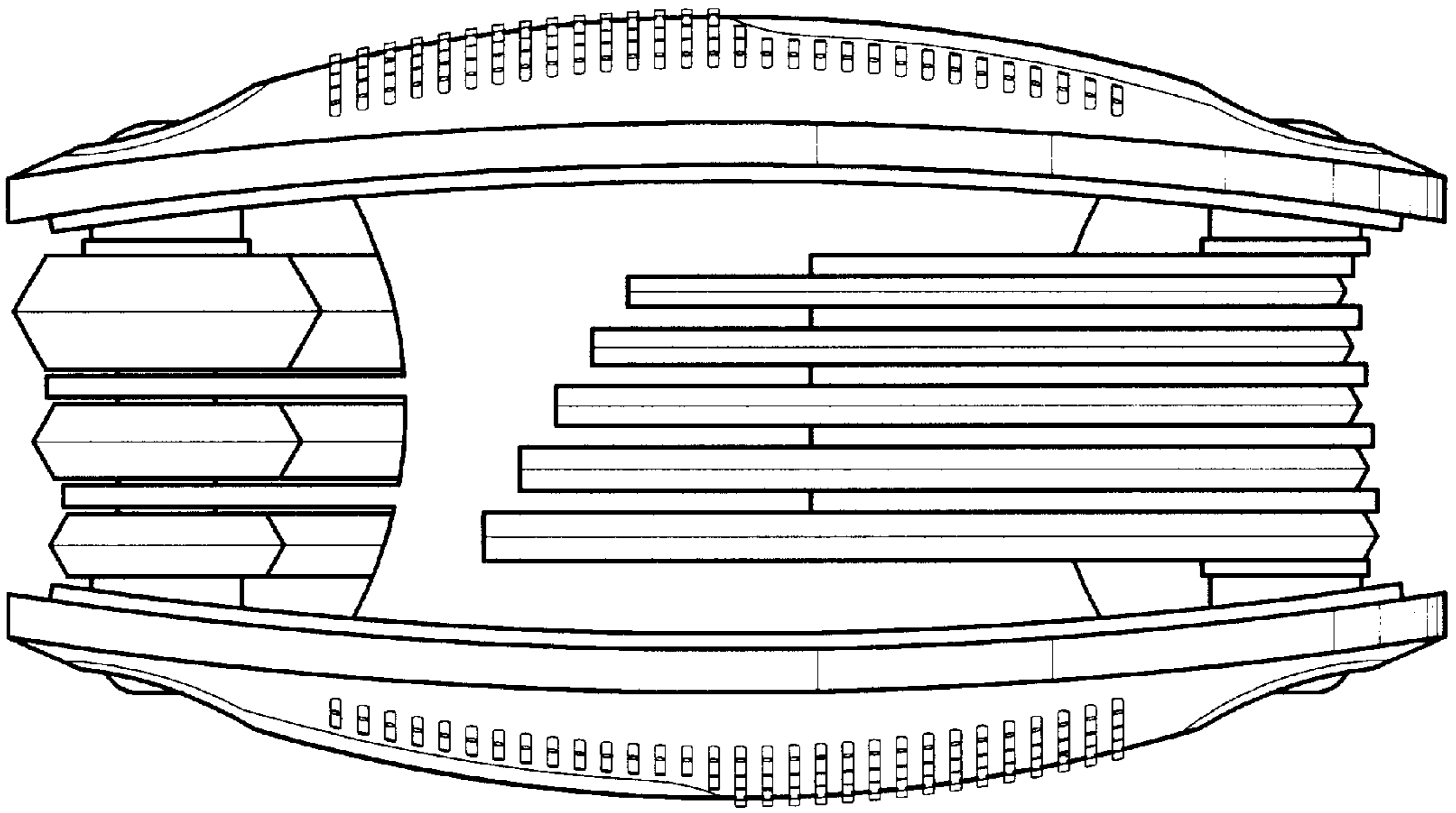


Fig. 7

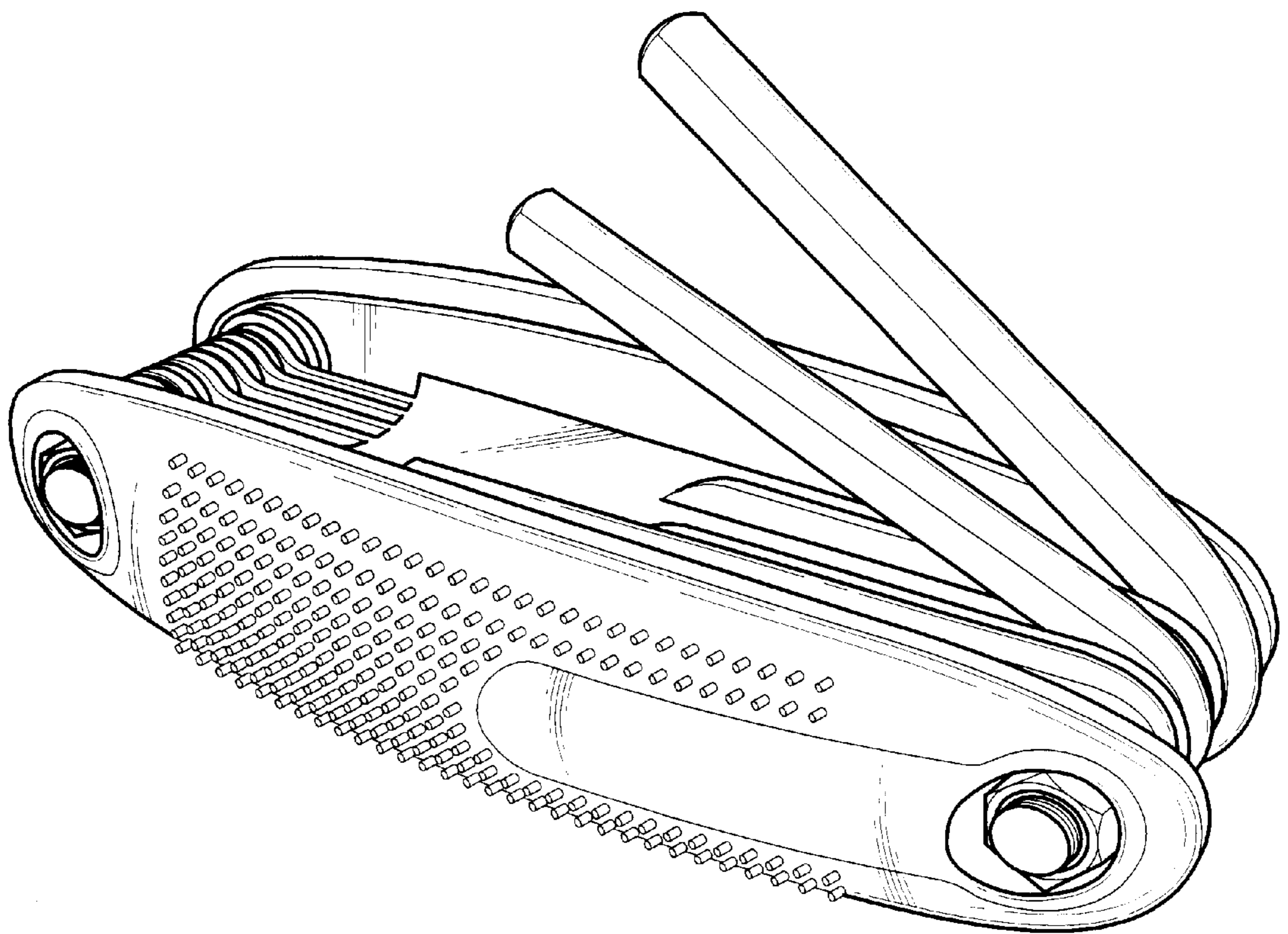


Fig. 8