



US00D479961S

(12) **United States Design Patent**  
**Iacona**

(10) **Patent No.:** **US D479,961 S**

(45) **Date of Patent:** **\*\* Sep. 30, 2003**

(54) **ROTARY CUTTING HEAD**

(76) Inventor: **Fernando R. Iacona**, 14357 E.  
Geronimo Rd., Scottsdale, AZ (US)  
85259

(\*\*) Term: **14 Years**

(21) Appl. No.: **29/150,967**

(22) Filed: **Oct. 31, 2001**

(51) **LOC (7) Cl.** ..... **08-01**

(52) **U.S. Cl.** ..... **D8/8**

(58) **Field of Search** ..... D8/8, 9, 1; 56/127,  
56/295; 30/276

(56) **References Cited**

**U.S. PATENT DOCUMENTS**

D254,173 S	*	2/1980	Proulx	.....	D8/8
D302,779 S	*	8/1989	Baba	.....	D8/8
5,461,787 A	*	10/1995	Araki et al.	.....	30/276
6,163,964 A	*	12/2000	Calcinai	.....	30/347

\* cited by examiner

*Primary Examiner*—Robin V. Taylor

(74) *Attorney, Agent, or Firm*—Anthony J. Casella; Gerald E. Hespos

(57) **CLAIM**

The ornamental design for a rotary cutting head, as shown and described.

**DESCRIPTION**

FIG. 1 is a perspective view of a rotary cutting head showing my new design;

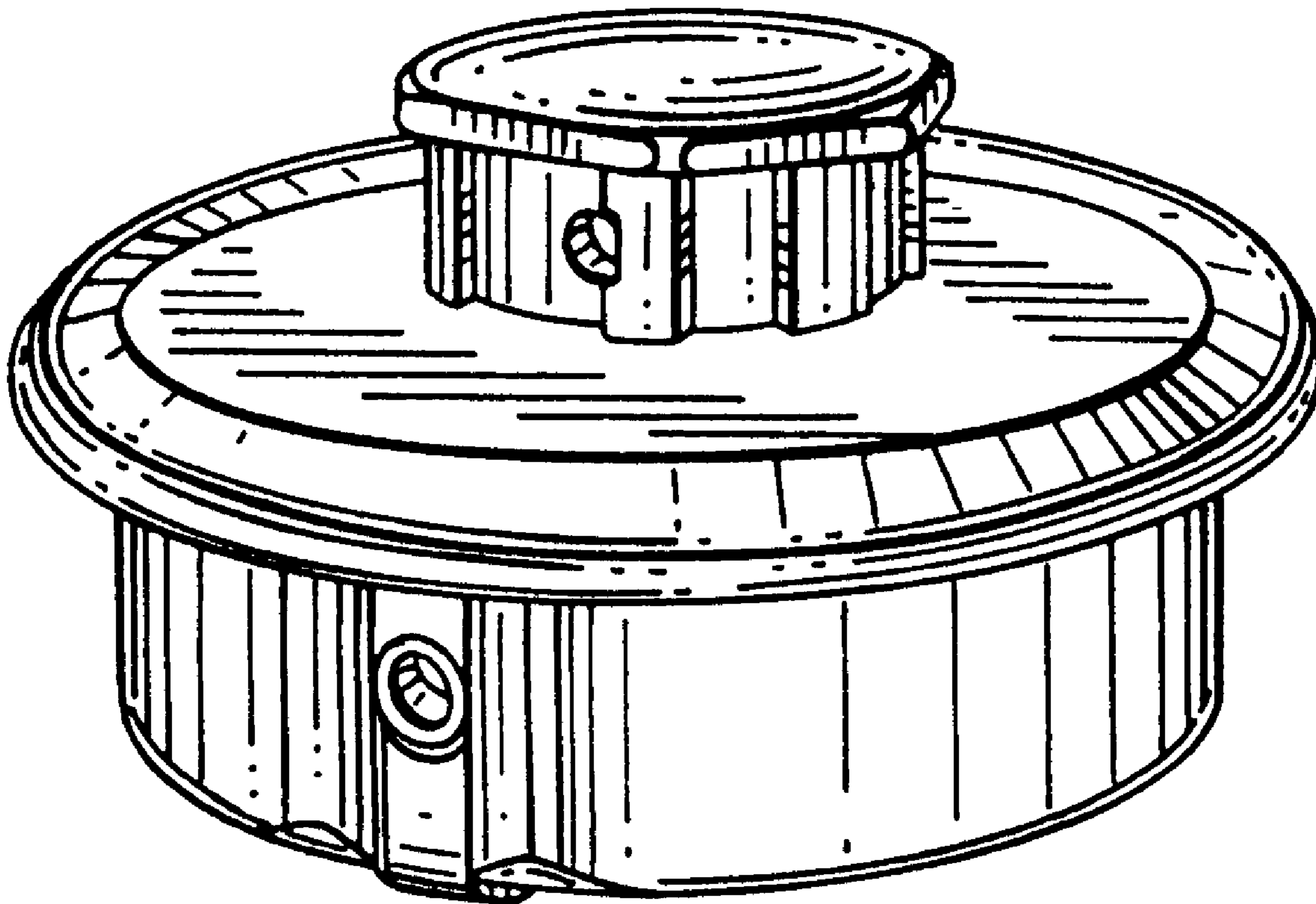
FIG. 2 is a top plan view of the rotary cutting head of FIG. 1;

FIG. 3 is an end elevational view thereof opposite to that shown in FIG. 1;

FIG. 4 is a side elevational view of the rotary cutting head of FIG. 1, the opposite side being a mirror image of the side shown; and,

FIG. 5 is a bottom plan view of thereof.

**1 Claim, 1 Drawing Sheet**



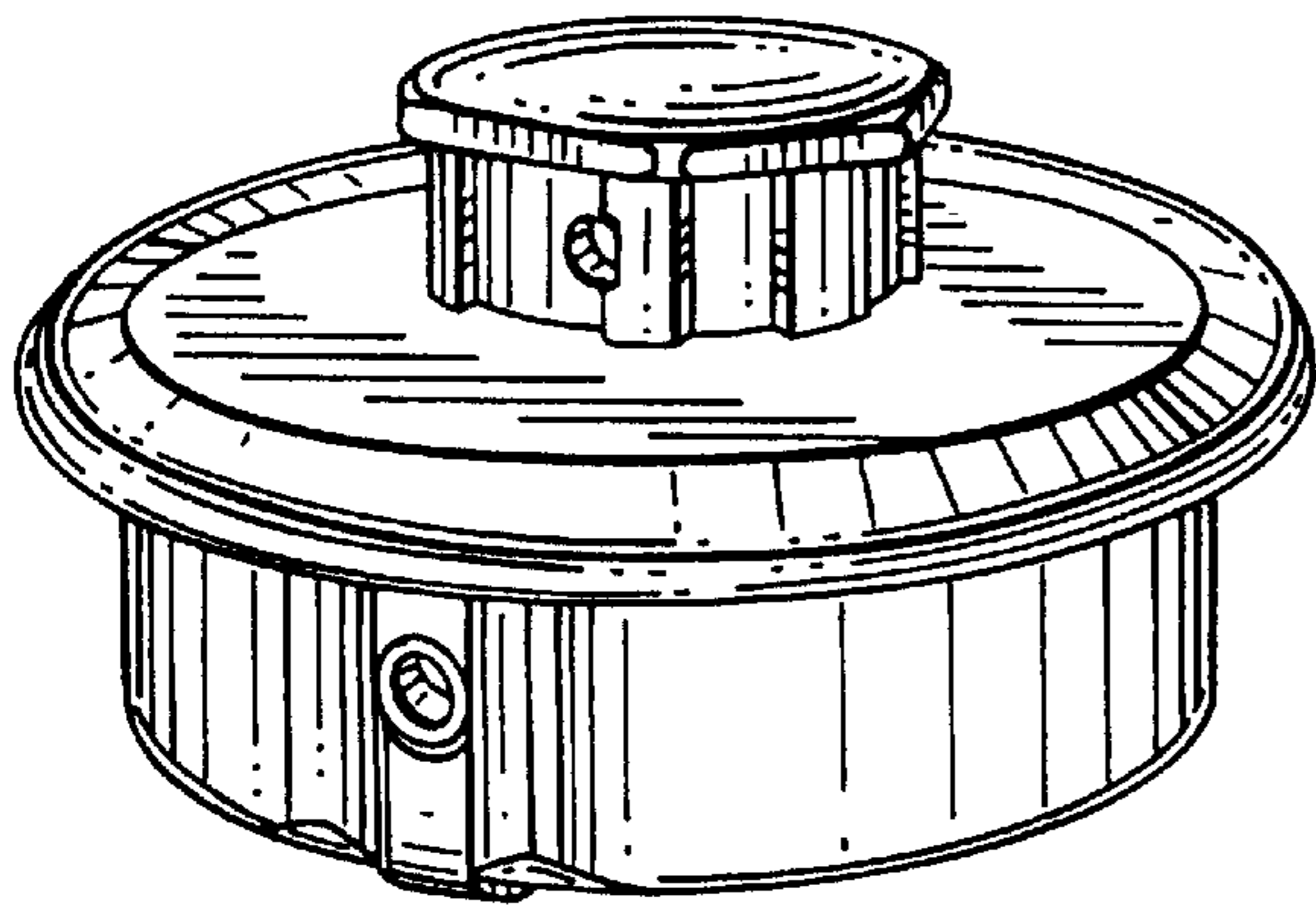


FIG. 1

FIG. 2

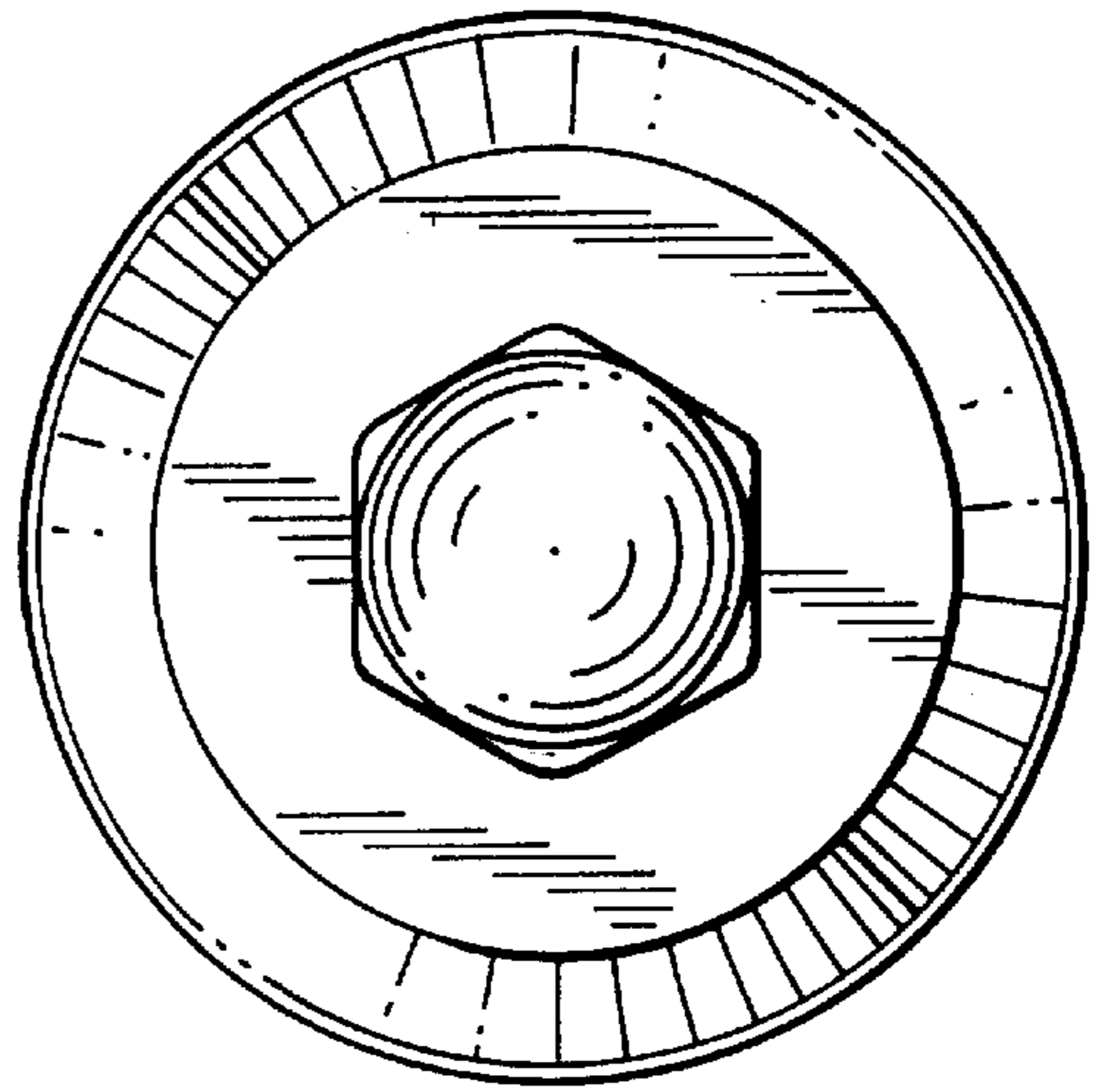


FIG. 3

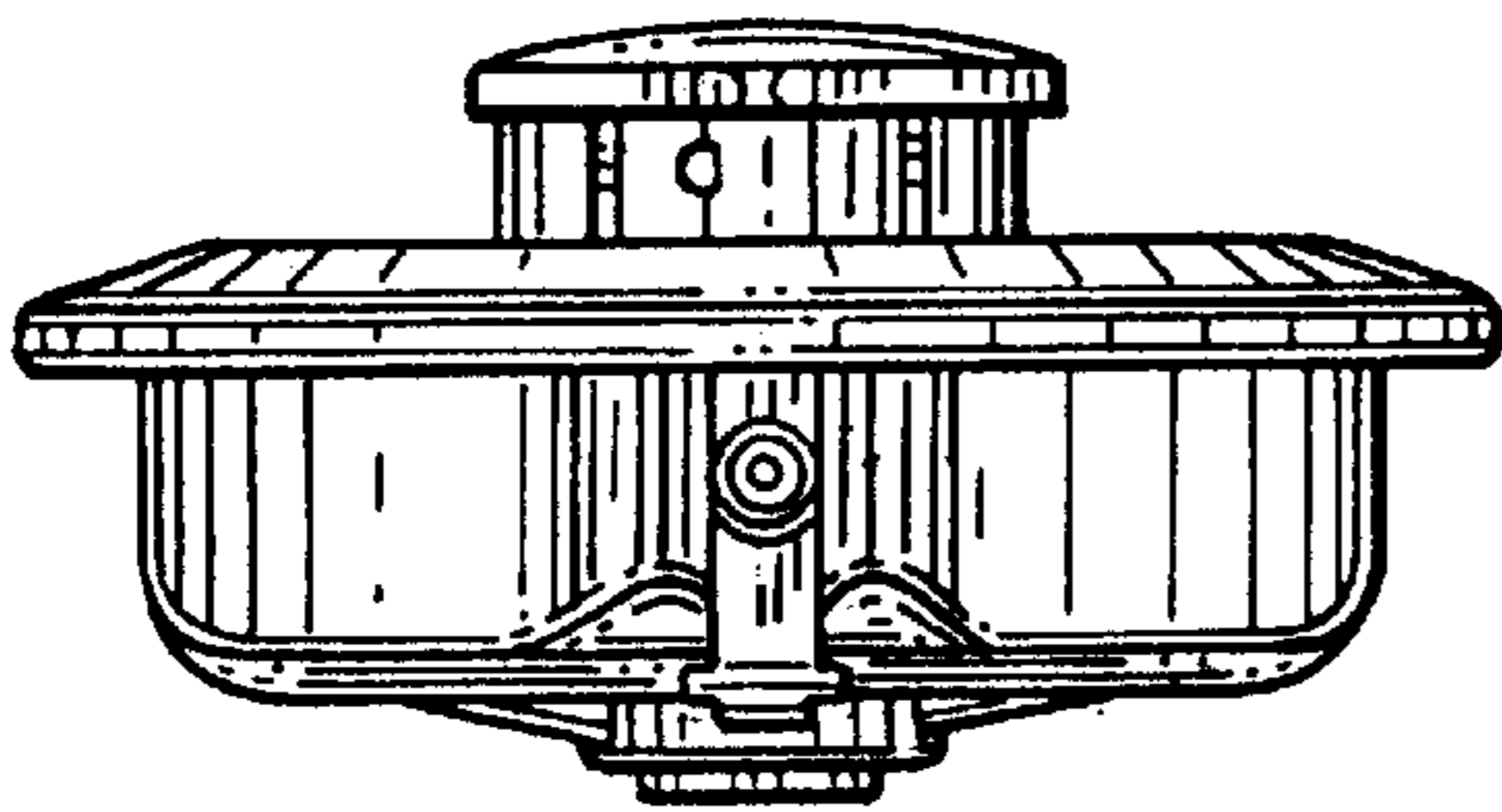


FIG. 4

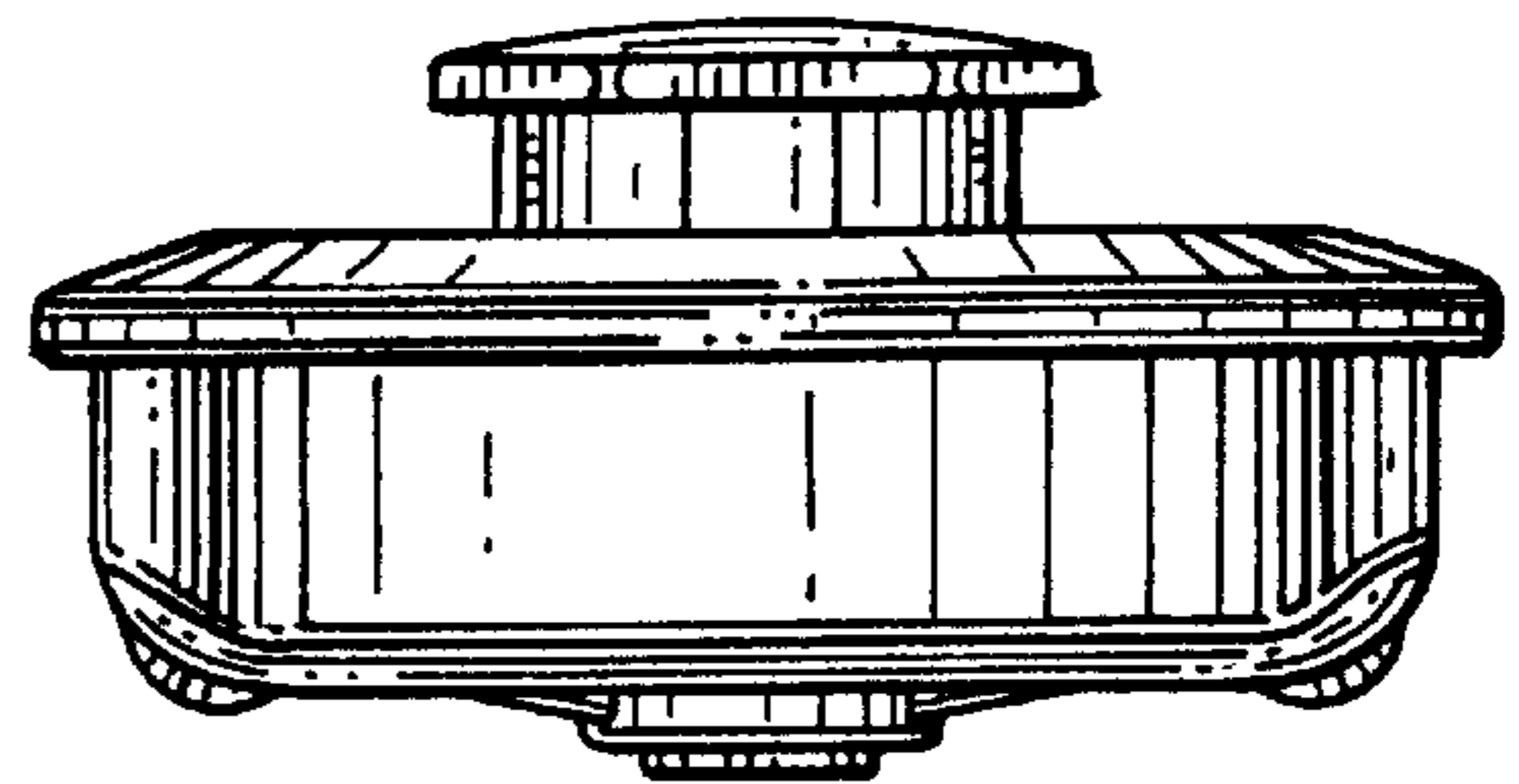


FIG. 5

