



US00D479957S

(12) **United States Design Patent**
Anthony

(10) **Patent No.:** **US D479,957 S**

(45) **Date of Patent:** **** *Sep. 30, 2003**

(54) **CONDIMENT SPREADER**

5,373,968 A 12/1994 Nelson
5,381,929 A 1/1995 Salz

(76) Inventor: **Maurice J Anthony**, 2138 Silva Dr.,
Conley, GA (US) 30288

* cited by examiner

(*) Notice: This patent is subject to a terminal dis-
claimer.

Primary Examiner—Terry A. Wallace

(**) Term: **14 Years**

(57) **CLAIM**

The ornamental design for a condiment spreader, as shown.

(21) Appl. No.: **29/141,732**

DESCRIPTION

(22) Filed: **May 11, 2001**

FIG. 1 is a front plan view of the condiment spreader of the
present invention;

(51) **LOC (7) Cl.** **07-99**

(52) **U.S. Cl.** **D7/669; D6/541**

FIG. 2 is a rear plan view of the condiment spreader of FIG.
1;

(58) **Field of Search** D7/669; D6/541;
222/95, 99, 107, 100, 103

FIG. 3 is a right side plan view of the condiment spreader of
FIG. 1;

(56) **References Cited**

U.S. PATENT DOCUMENTS

2,162,295	A	*	6/1939	Benedict	222/99
2,656,065	A	*	10/1953	Breeze	D6/541 X
D319,161	S	*	8/1991	Giannotti	D6/541
D322,528	S		12/1991	Matheopoulos		
5,101,562	A		4/1992	Horvath et al.		
5,108,008	A		4/1992	Ryder		
5,178,301	A		1/1993	McGanty		

FIG. 4 is a left side plan view of the condiment spreader of
FIG. 1;

FIG. 5 is a top plan view of the condiment spreader of FIG.
1;

FIG. 6 is a bottom plan view of the condiment spreader of
FIG. 1; and,

FIG. 7 is a front, right, top perspective view of the condi-
ment spreader of FIG. 1.

1 Claim, 3 Drawing Sheets

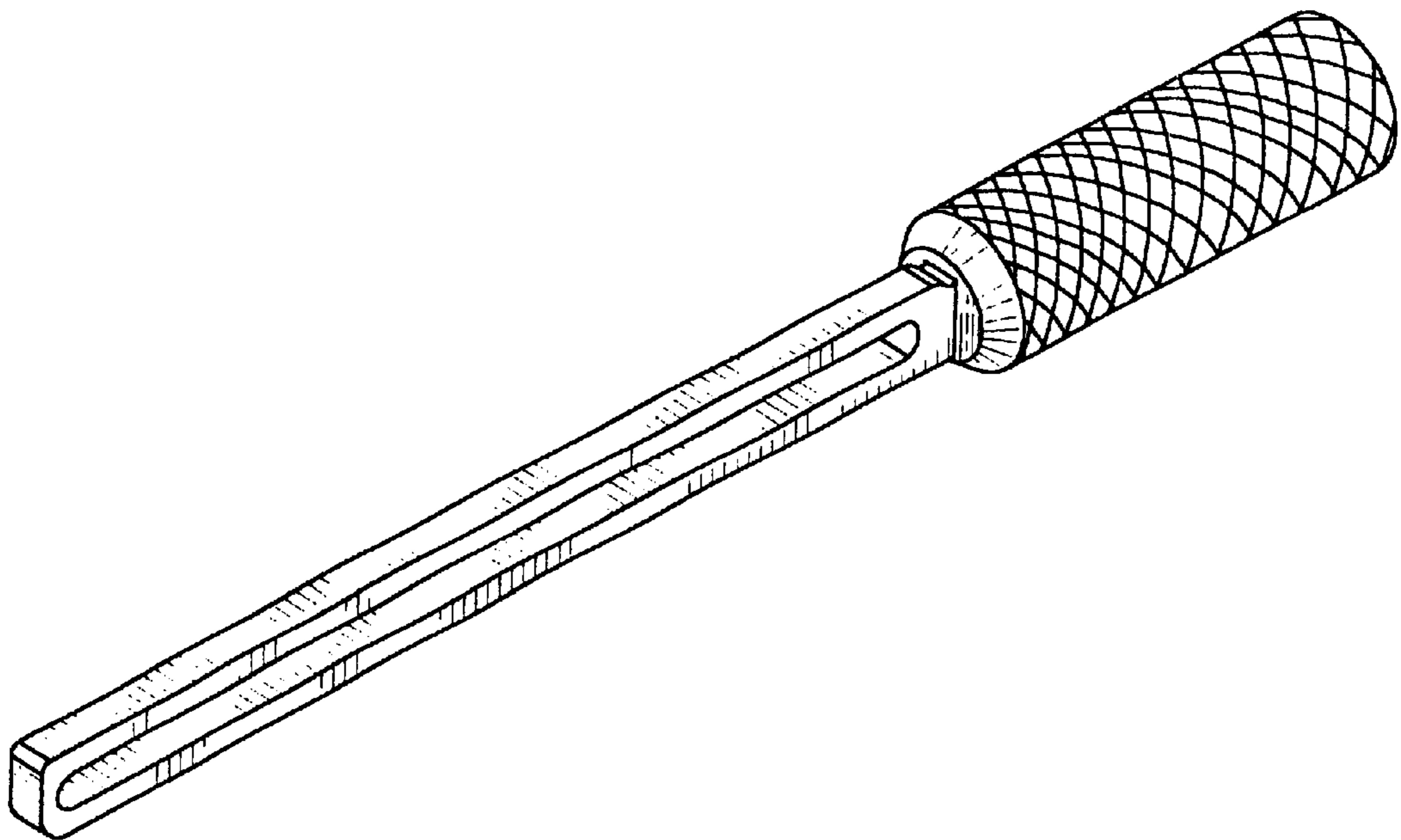


Fig. 1

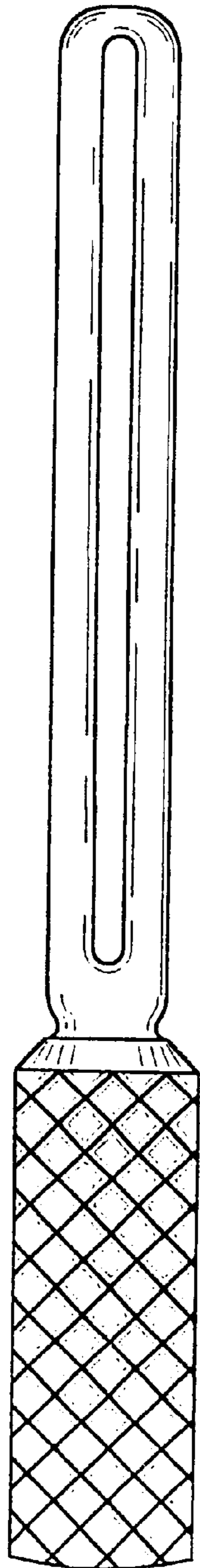
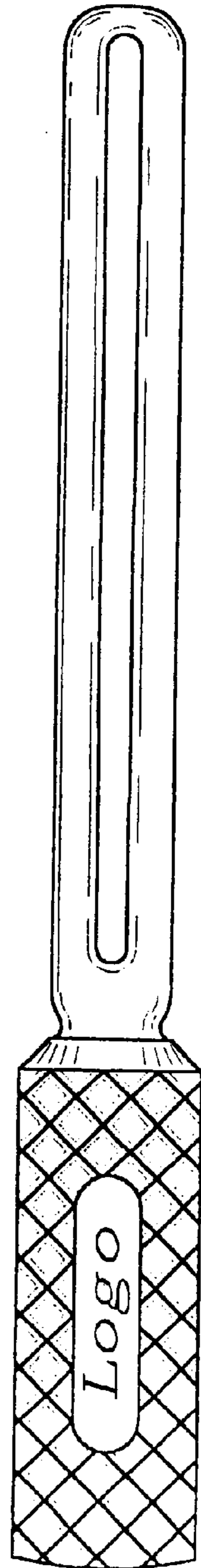


Fig. 2



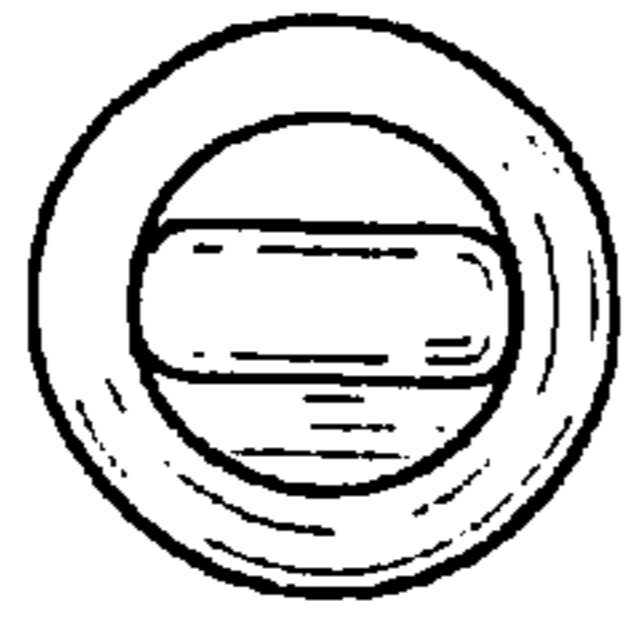


Fig. 5

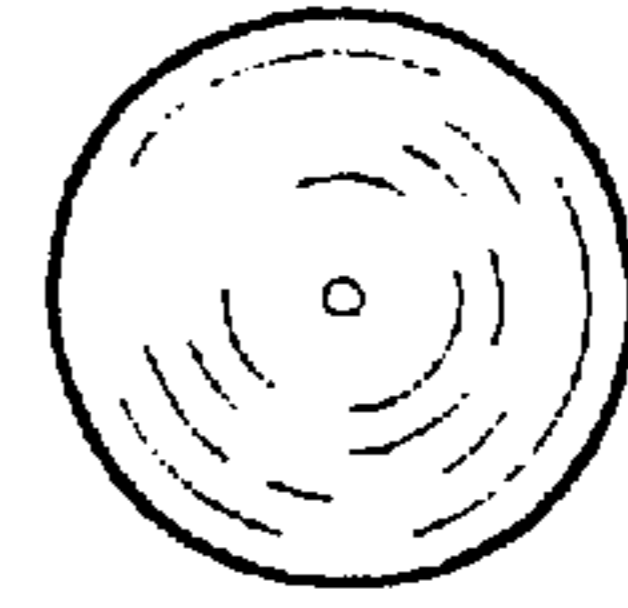


Fig. 6

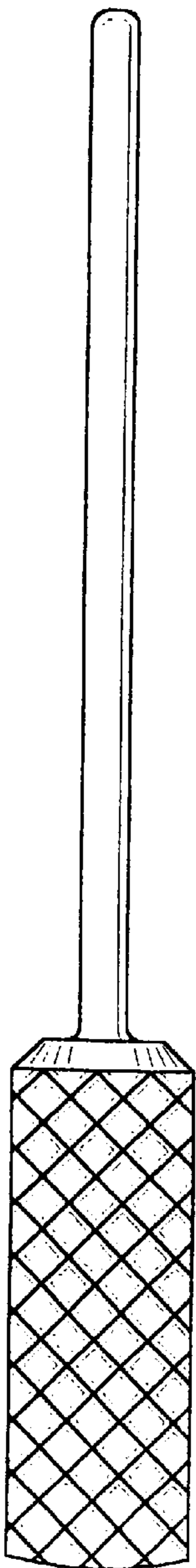


Fig. 3

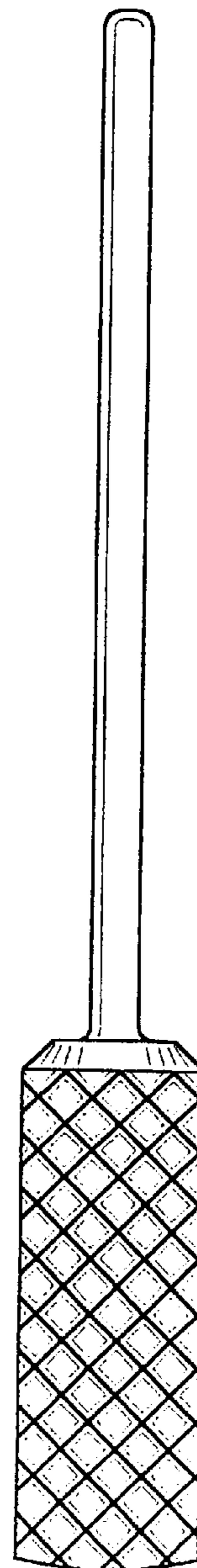


Fig. 4

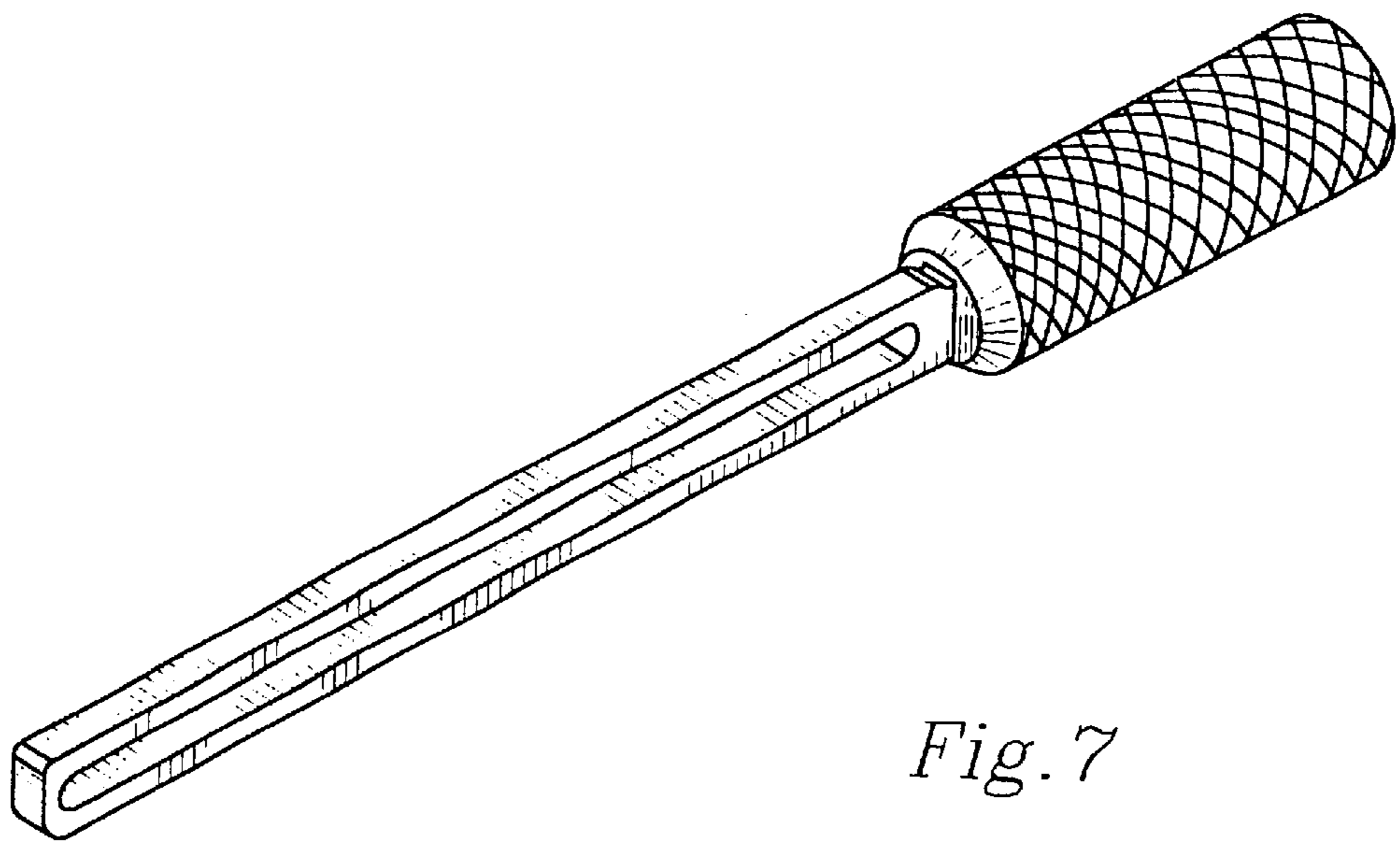


Fig. 7