



US00D479955S

(12) **United States Design Patent**
Samartgis

(10) **Patent No.:** **US D479,955 S**

(45) **Date of Patent:** **** Sep. 30, 2003**

(54) **LUNCH BOX**

(75) **Inventor:** **Jim Samartgis, Eltham (AU)**

(73) **Assignee:** **The Decor Corporation Pty. Ltd.,
Victoria (AU)**

(**) **Term:** **14 Years**

(21) **Appl. No.:** **29/166,738**

(22) **Filed:** **Aug. 30, 2002**

(51) **LOC (7) Cl. 07-01**

(52) **U.S. Cl. D7/629; D7/710**

(58) **Field of Search D7/601, 602, 629,
D7/538-542; D9/414, 424-432; D3/201,
203, 206, 273, 274, 302; 220/23.83, 281,
662, 675, 780-788, 792-99, 805; 206/216,
223, 541-546**

(56) **References Cited**

U.S. PATENT DOCUMENTS

- D235,195 S * 5/1975 Sauey, Jr. D9/425
- 4,976,370 A * 12/1990 Cassel 220/792
- D314,307 S * 2/1991 Bush D7/540
- D373,953 S * 9/1996 Gale D9/425
- D379,138 S * 5/1997 Carlson D7/629

D381,512 S * 7/1997 Green D3/273

* cited by examiner

Primary Examiner—Terry A. Wallace

(74) *Attorney, Agent, or Firm*—Milde & Hoffberg, LLP

(57) **CLAIM**

The ornamental design for a lunch box, as shown and described.

DESCRIPTION

FIG. 1 is a perspective view of the lunch box according to my design, as seen from above.

FIG. 2 is a perspective view of the lunch box of FIG. 1, as seen from below.

FIG. 3 is a perspective view of the lunch box of FIG. 1, as seen from above, with parts separated.

FIG. 4 is a perspective view of the lunch box of FIG. 1, as seen from below, with parts separated.

FIG. 5 is a plan view of the lunch box of FIG. 1.

FIG. 6 is a bottom view of the lunch box of FIG. 1.

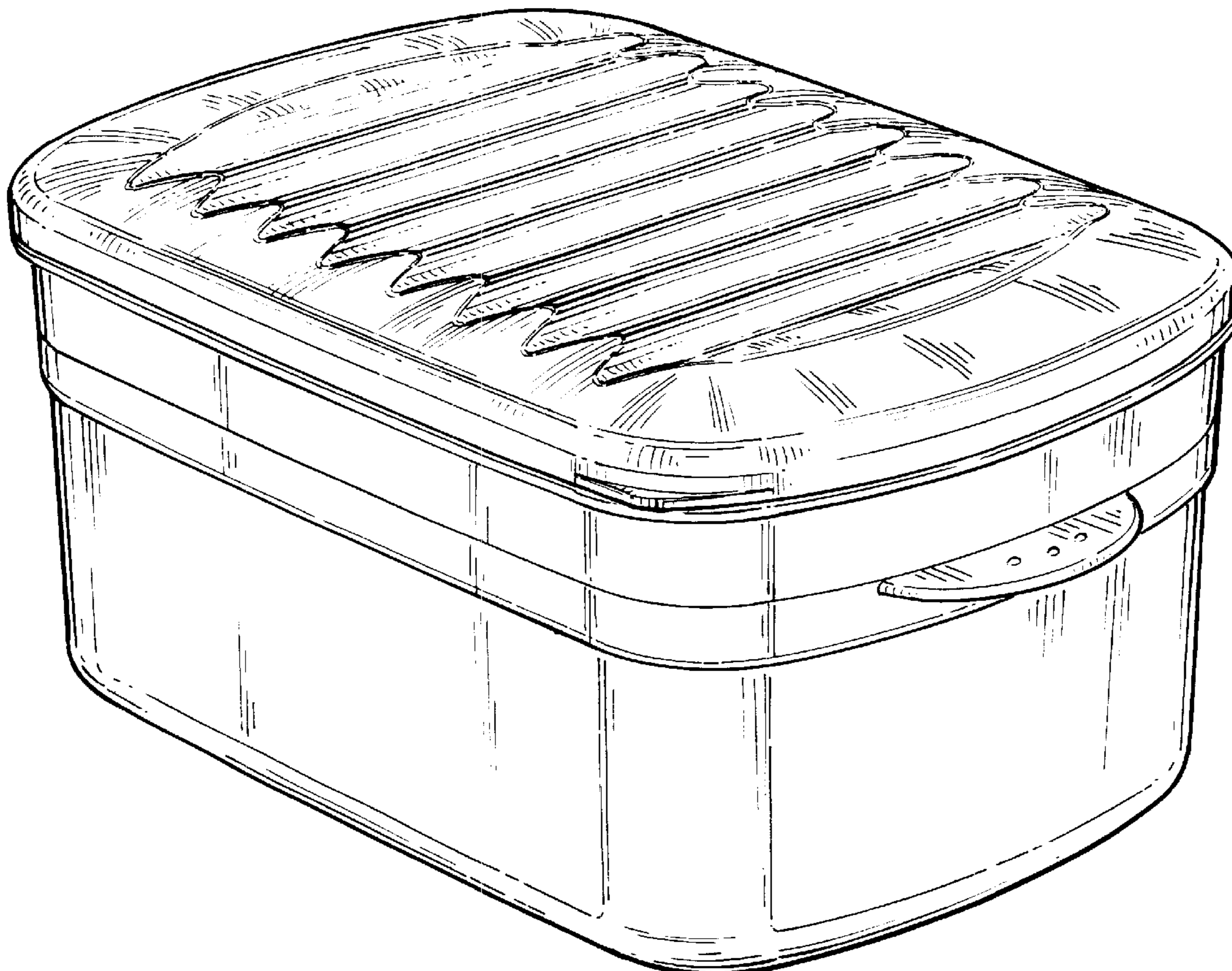
FIG. 7 is an side of the lunch box of FIG. 1.

FIG. 8 is an end view of the lunch box of FIG. 1.

FIG. 9 is a partial sectional view of the lunch box of FIG. 1, with parts separated; and,

FIG. 10 is a partial sectional view of the lunch box of FIG. 1.

1 Claim, 6 Drawing Sheets



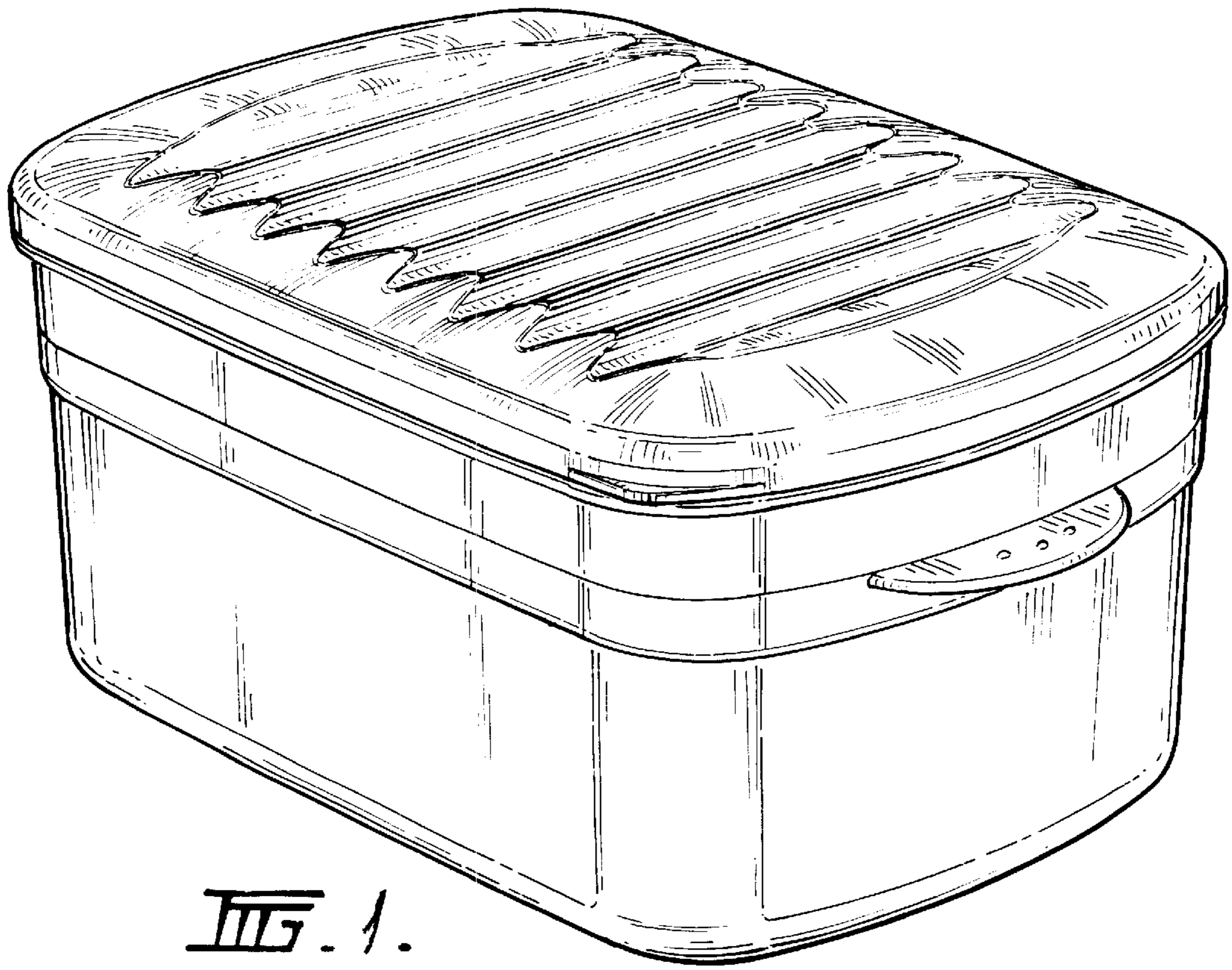


FIG. 1.

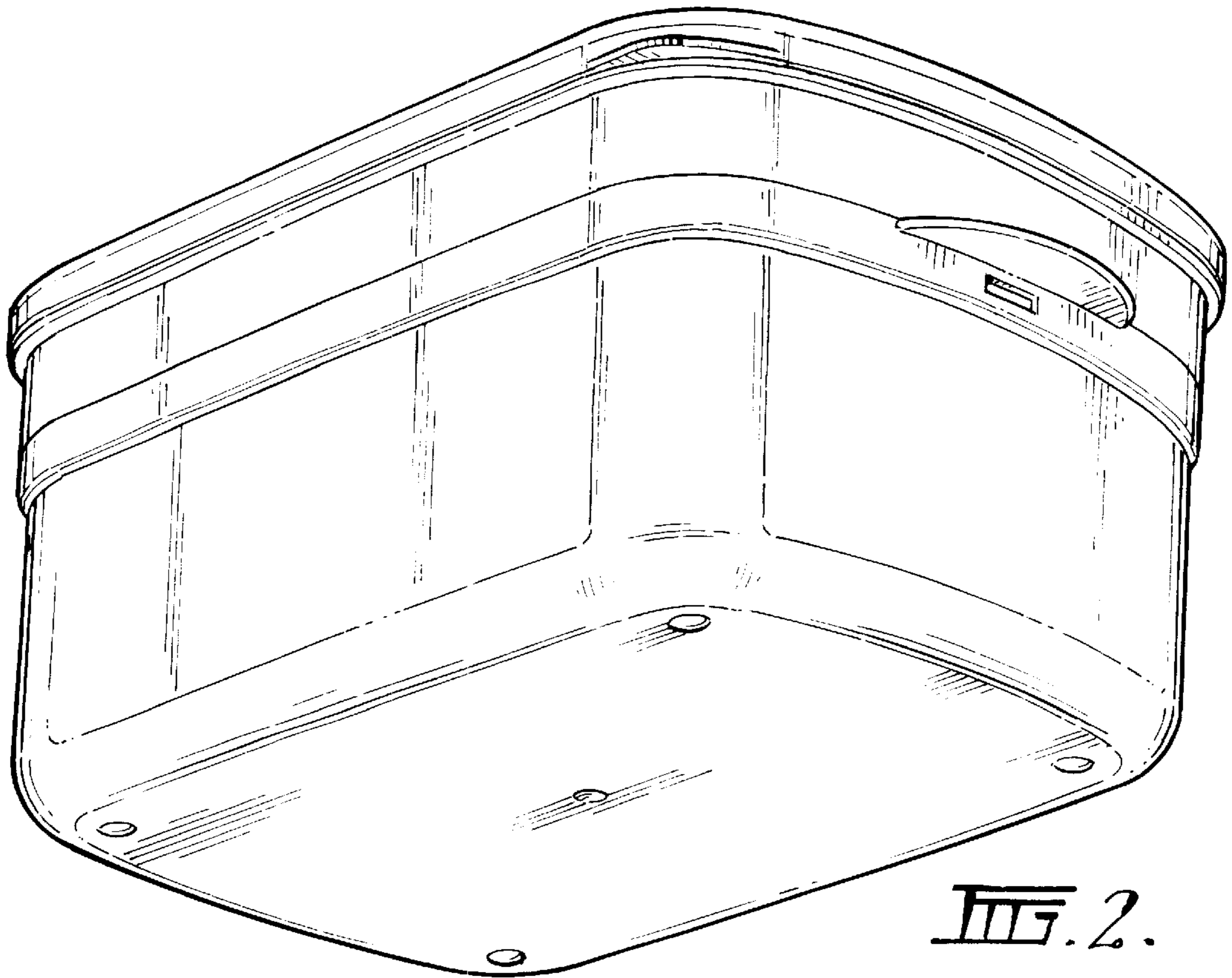
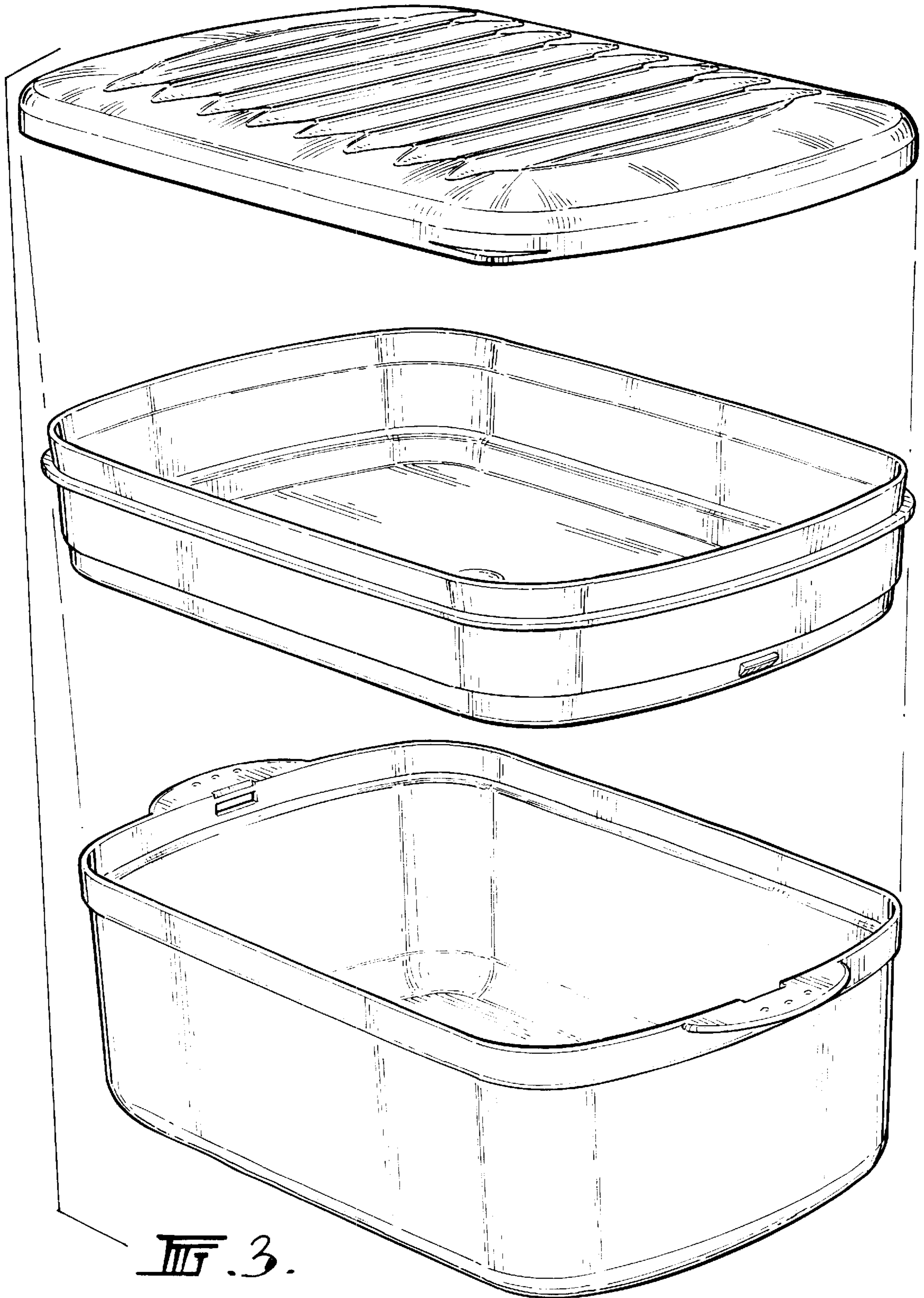


FIG. 2.



III. 3.

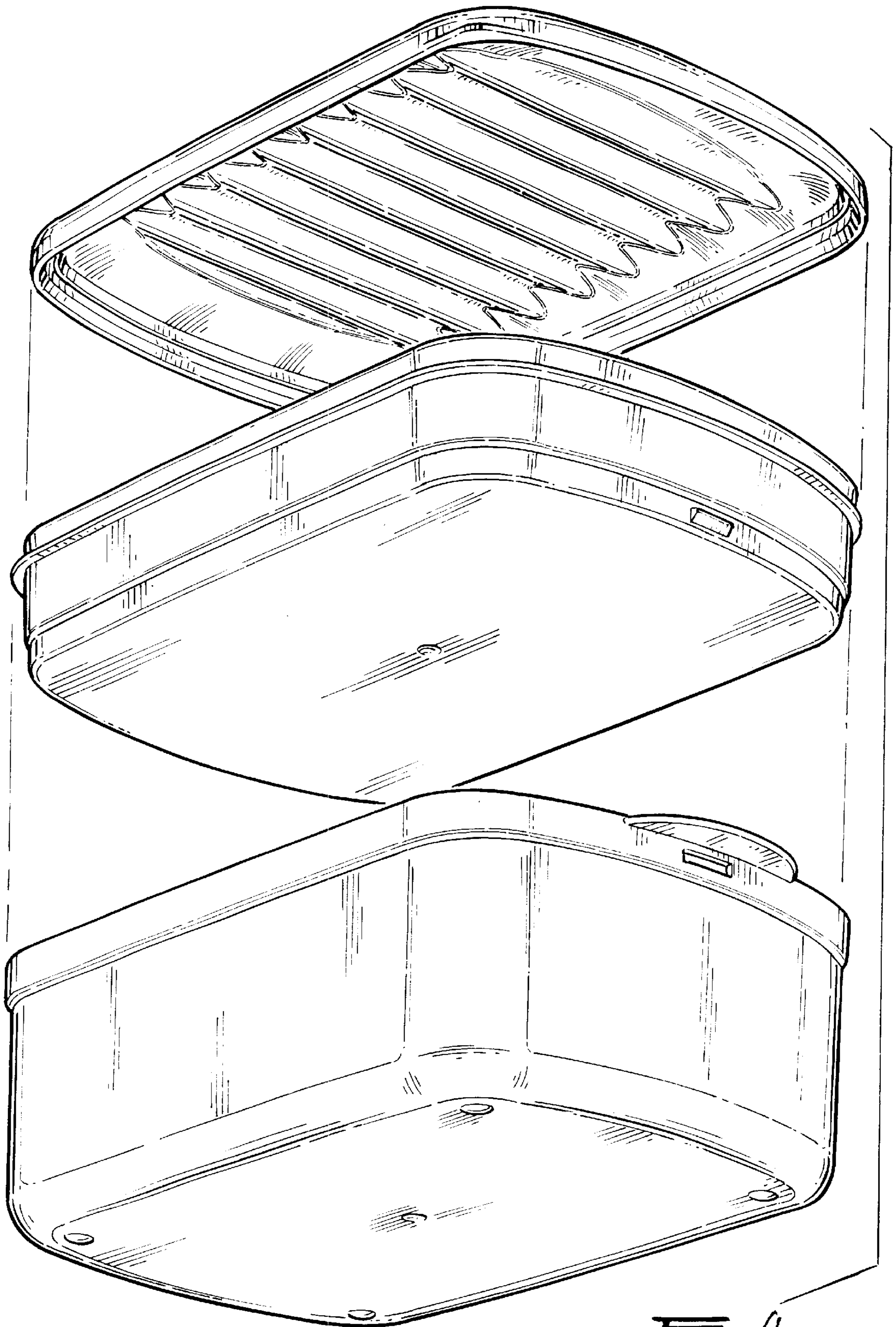


FIG. 4.

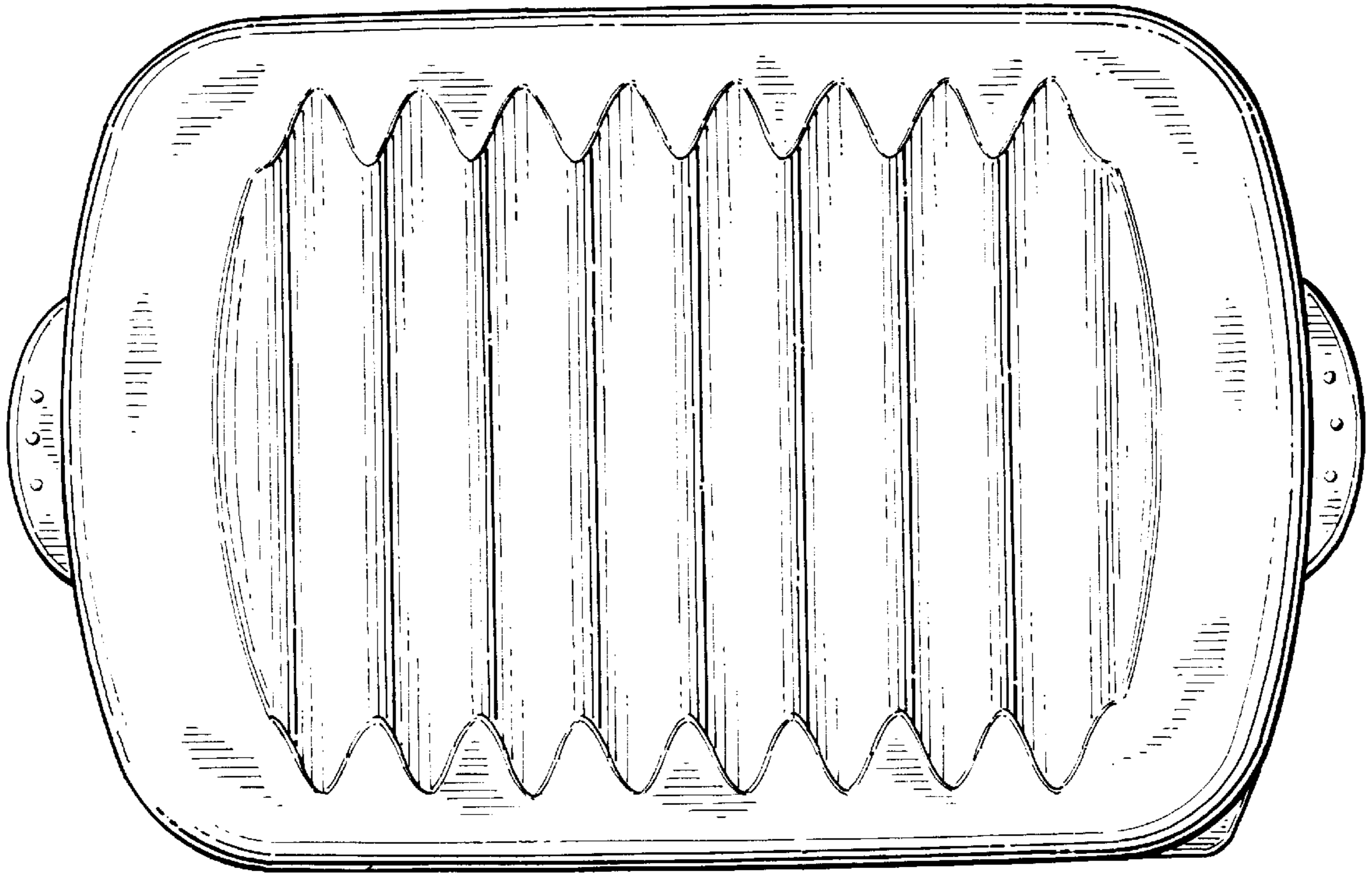


FIG. 5.

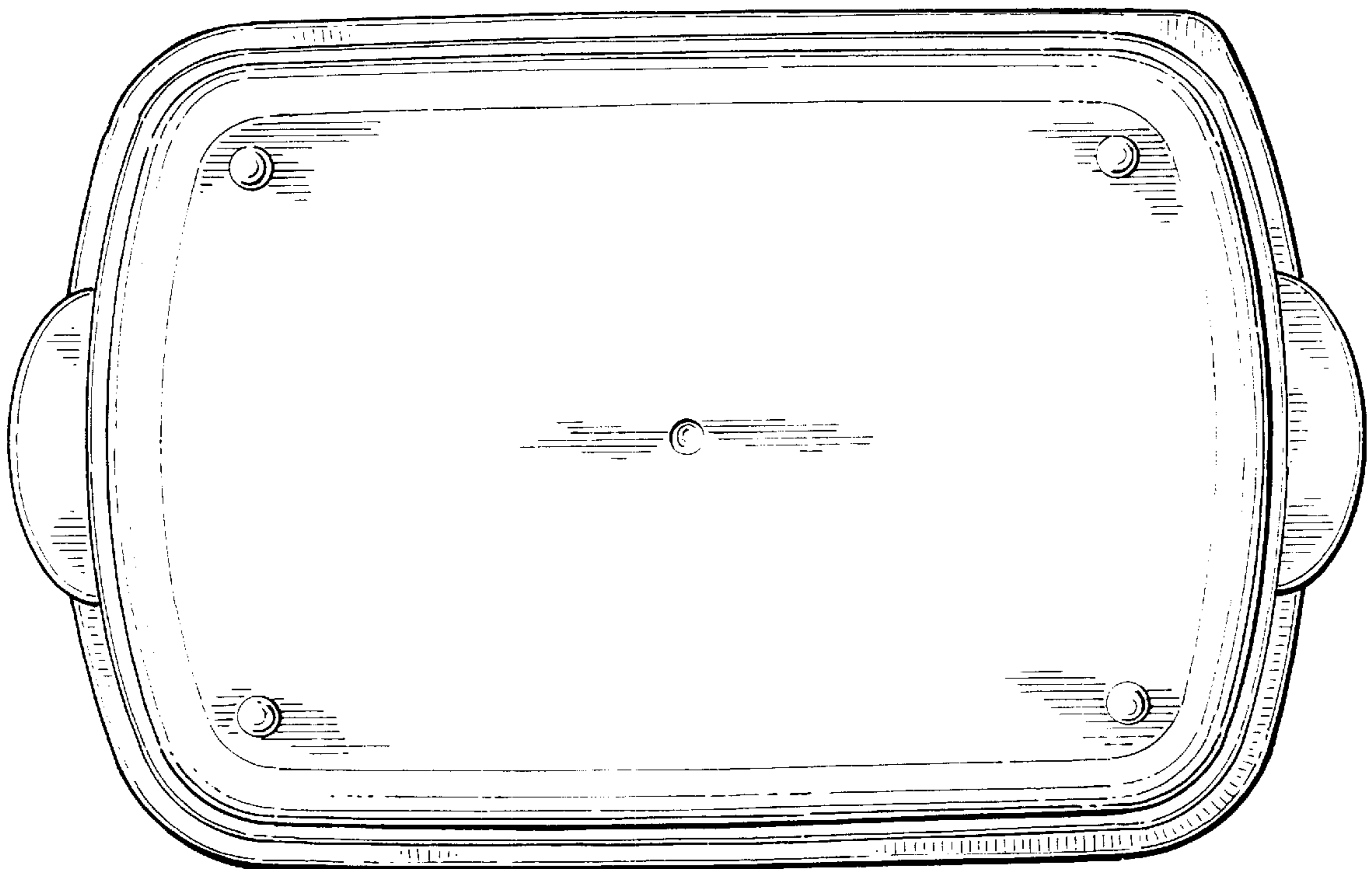


FIG. 6.

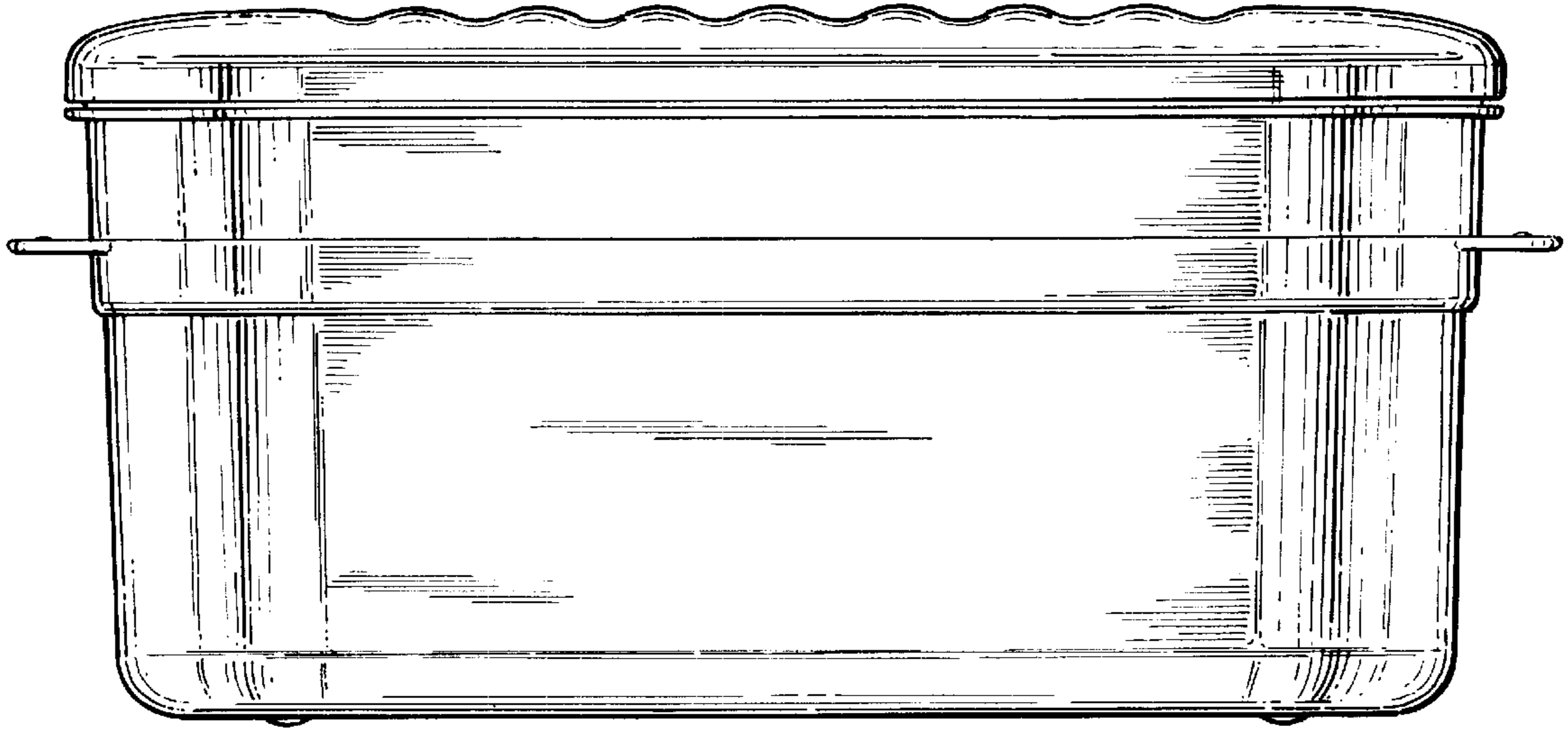


FIG. 7.

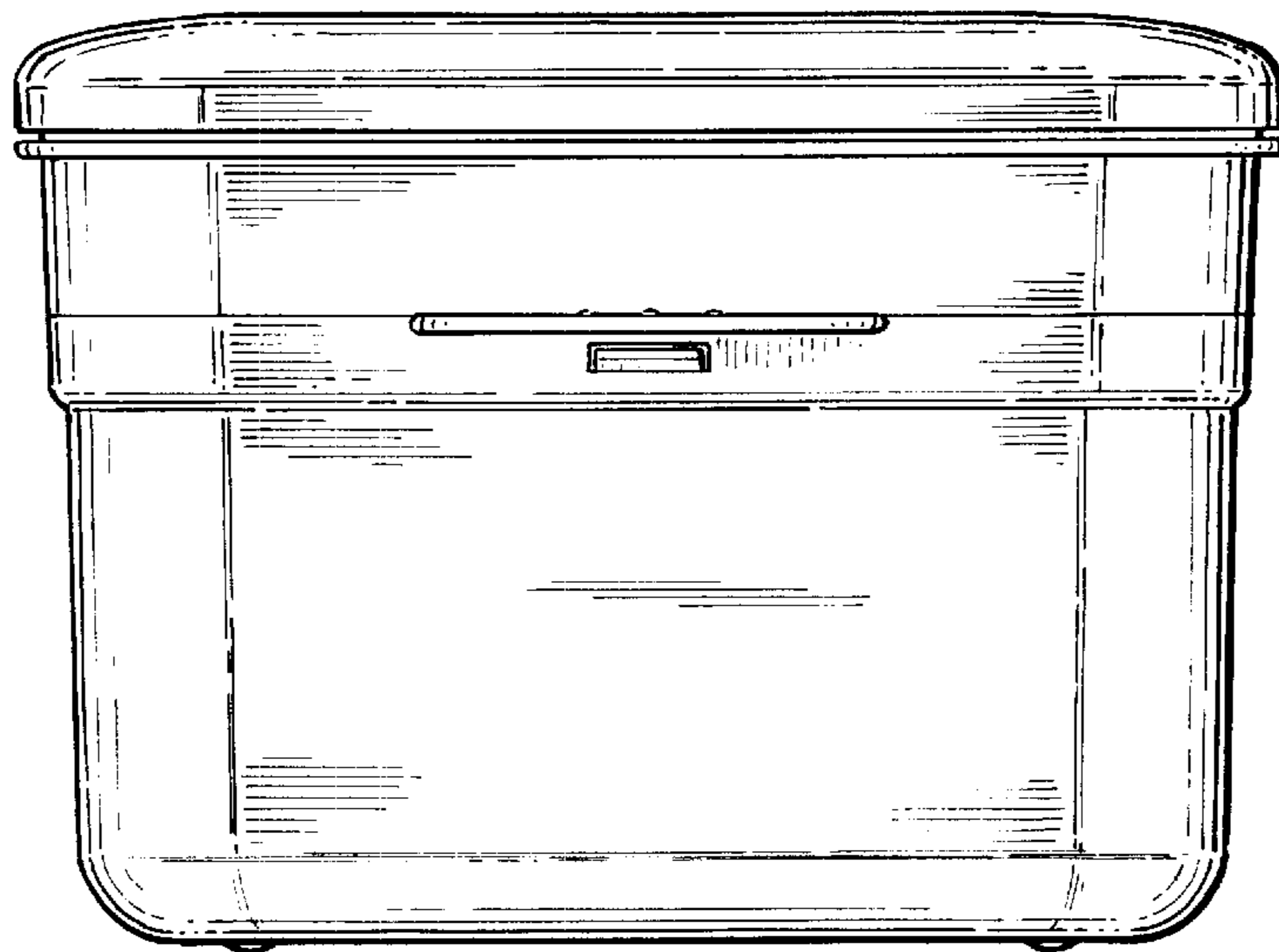


FIG. 8.

