



US00D479948S

(12) **United States Design Patent**  
**Deary**

(10) **Patent No.:** **US D479,948 S**

(45) **Date of Patent:** **\*\* Sep. 30, 2003**

(54) **ROTISSERIE FORK**

6,508,167 B1 \* 1/2003 Lu ..... 99/421 H  
6,509,549 B1 \* 1/2003 Chasen et al. .... 219/386

(75) Inventor: **David Deary**, Corona, CA (US)

\* cited by examiner

(73) Assignee: **Dynamic Cooking Systems, Inc.**,  
Huntington Beach, CA (US)

*Primary Examiner*—Ruth McInroy

(\*\*) Term: **14 Years**

(74) *Attorney, Agent, or Firm*—Knobbe, Martens, Olson &  
Bear, LLP

(21) Appl. No.: **29/162,055**

(57) **CLAIM**

(22) Filed: **Jun. 7, 2002**

The ornamental design for a rotisserie fork, as shown and described.

(51) **LOC (7) Cl.** ..... **07-02**

**DESCRIPTION**

(52) **U.S. Cl.** ..... **D7/402**

(58) **Field of Search** ..... D7/332–337, 402–404;  
126/25 R, 25 A, 25 AA, 9 R, 9 A, 9 B,  
38, 40, 41 R, 26, 29–30; 99/419, 421 R,  
421 H, 421 HV

FIG. 1 is a perspective view of a rotisserie fork showing my new design, the details shown in broken lines are for illustrative purposes only and form no part of the claimed design;

(56) **References Cited**

**U.S. PATENT DOCUMENTS**

- 3,248,518 A \* 4/1966 Ogle, Jr. et al. .... 219/450.1
- 3,931,758 A \* 1/1976 Blake ..... 99/419
- D261,092 S \* 10/1981 Menard ..... D7/409
- D336,593 S \* 6/1993 Yeuan ..... D7/402
- D403,919 S \* 1/1999 Battioli ..... D7/402
- D409,047 S \* 5/1999 Battioli ..... D7/402

FIG. 2 is a perspective view of the right fork thereof;

FIG. 3 is an enlarged left side of the right fork thereof;

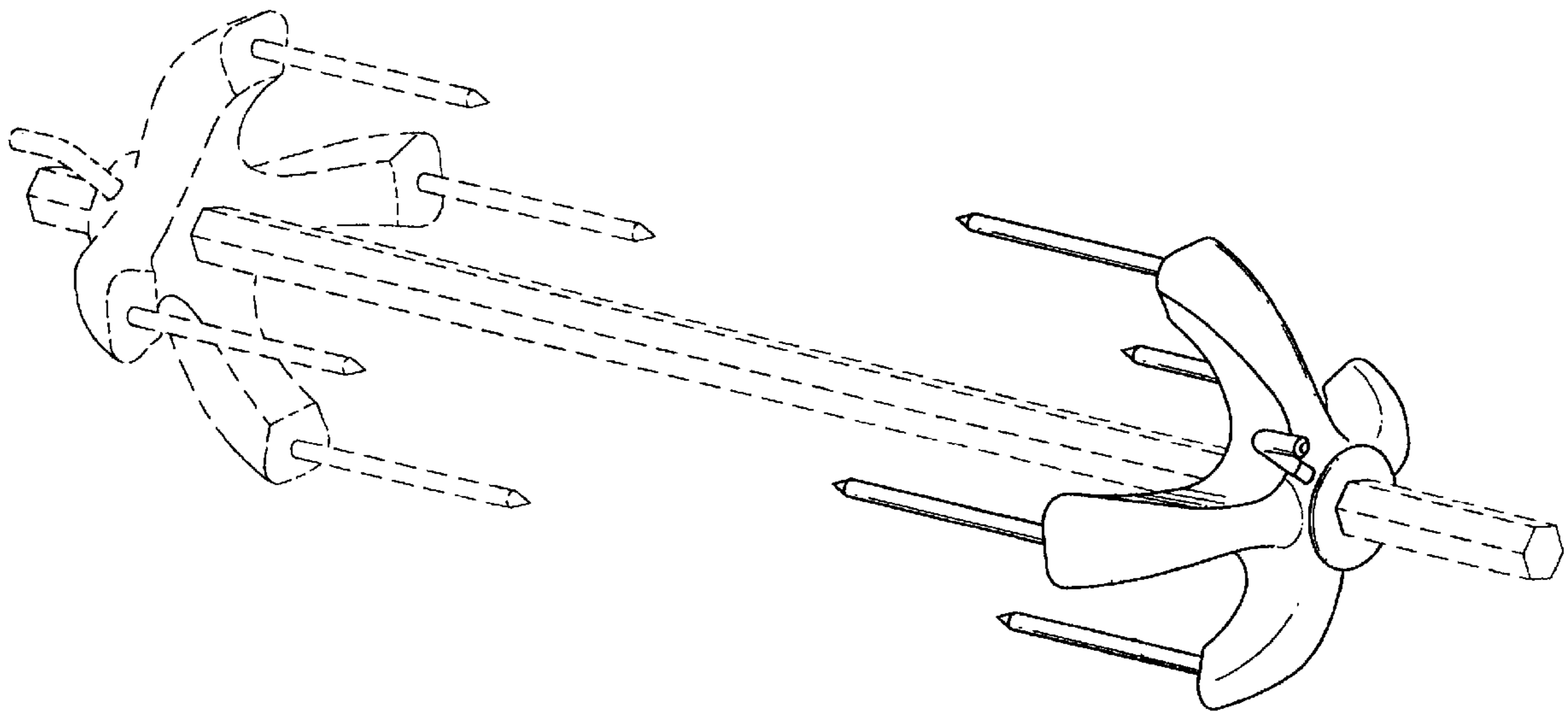
FIG. 4 is an enlarged right side view of the right fork thereof;

FIG. 5 is an enlarged top plan view of the right fork thereof;

and,

FIG. 6 is an enlarged bottom plan view of the right fork thereof.

**1 Claim, 6 Drawing Sheets**



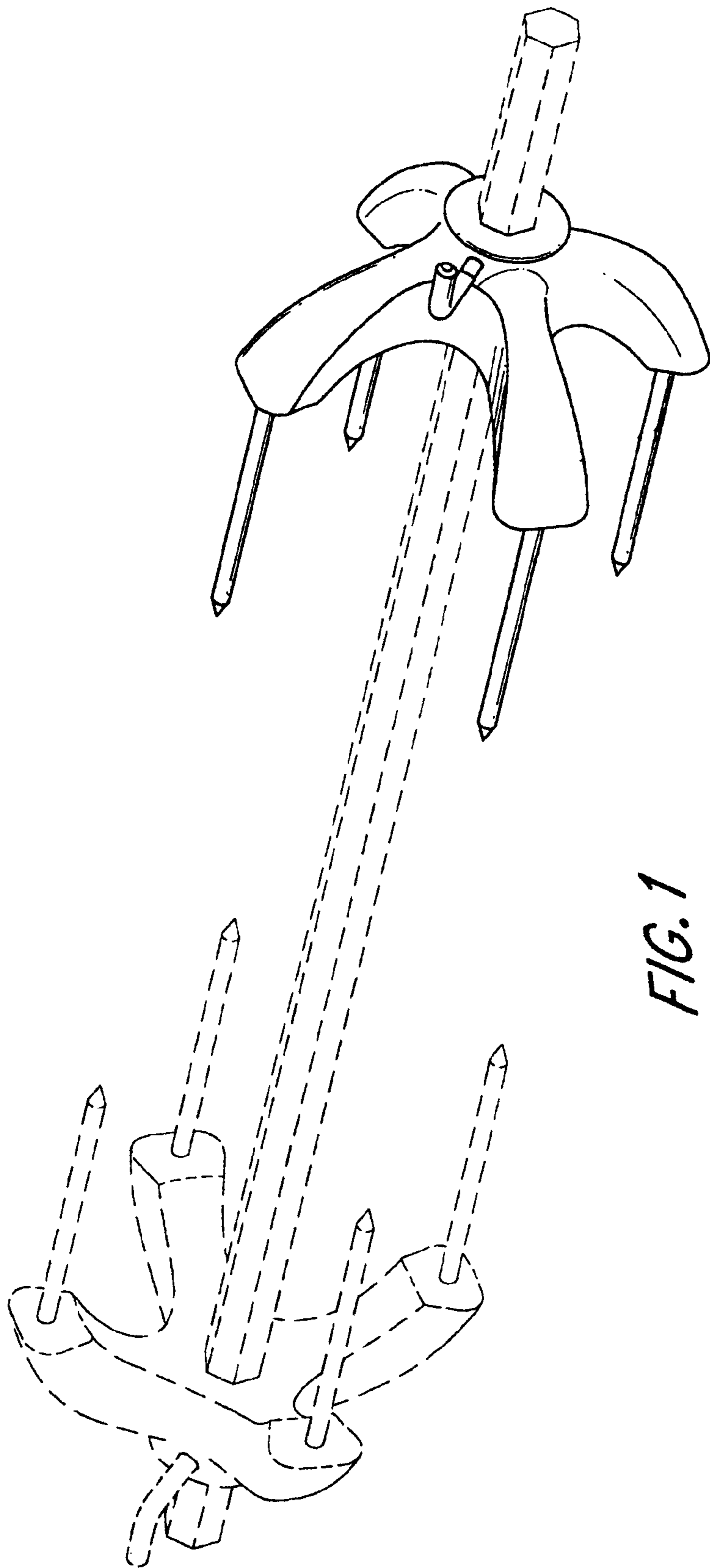
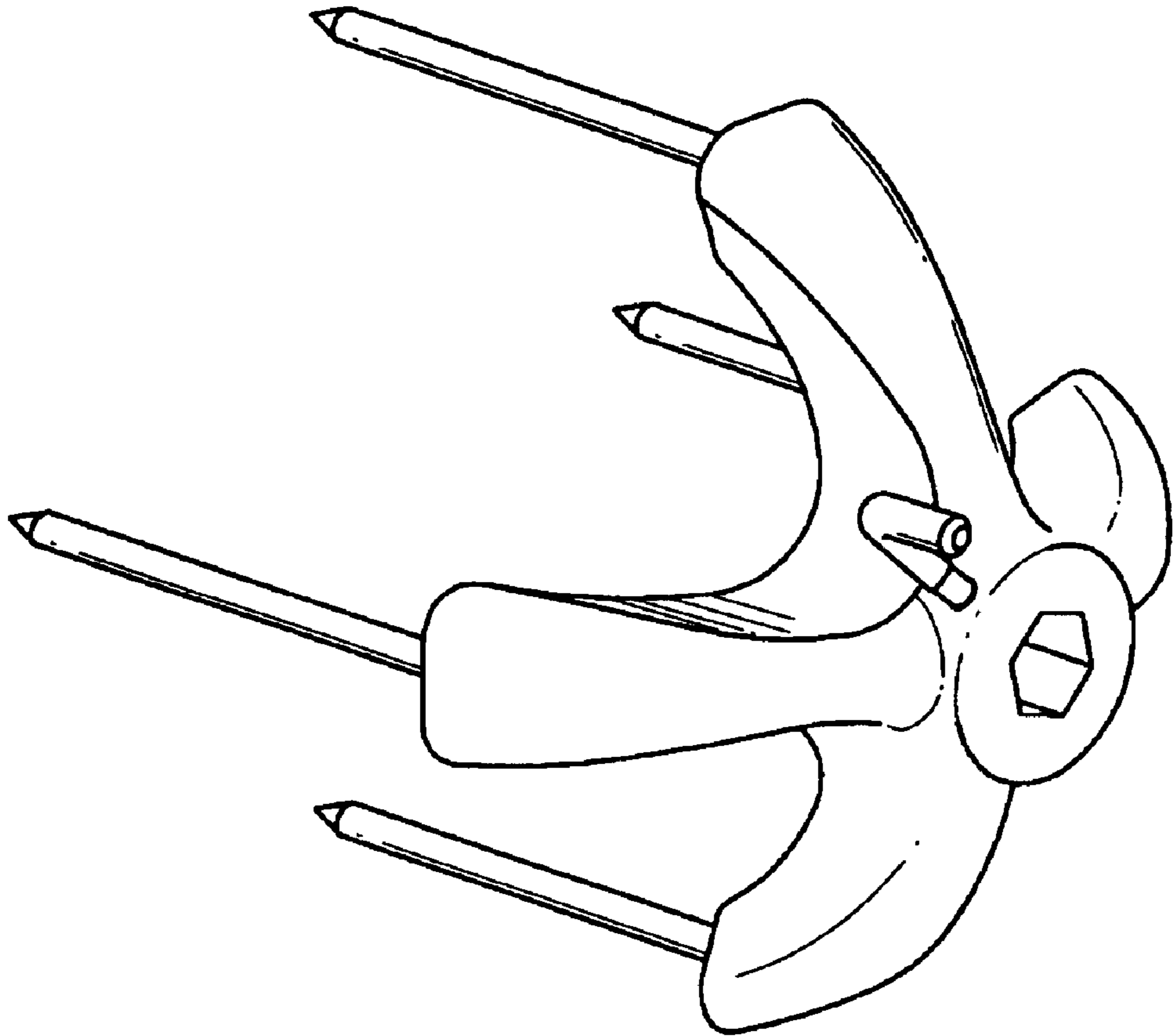
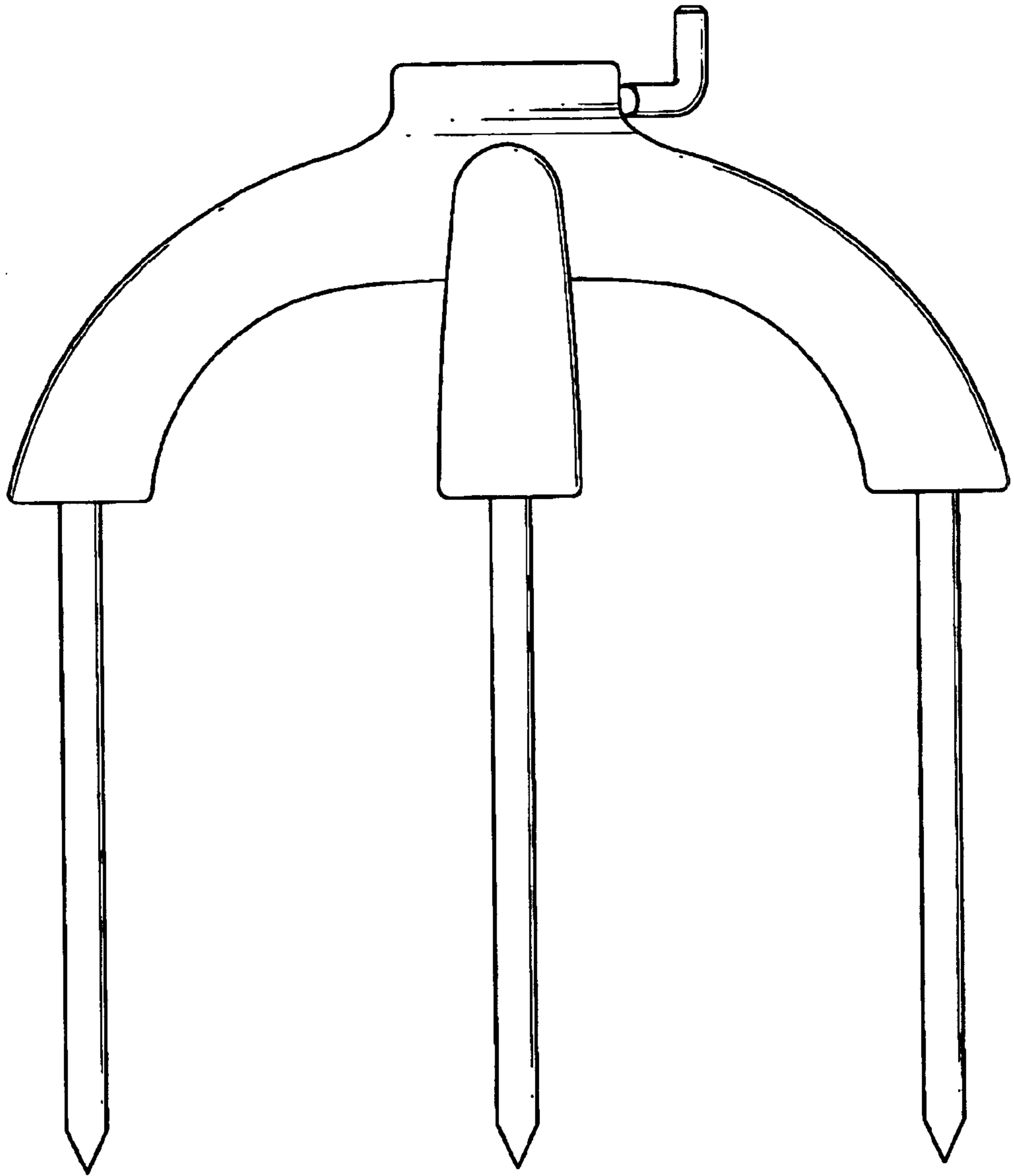


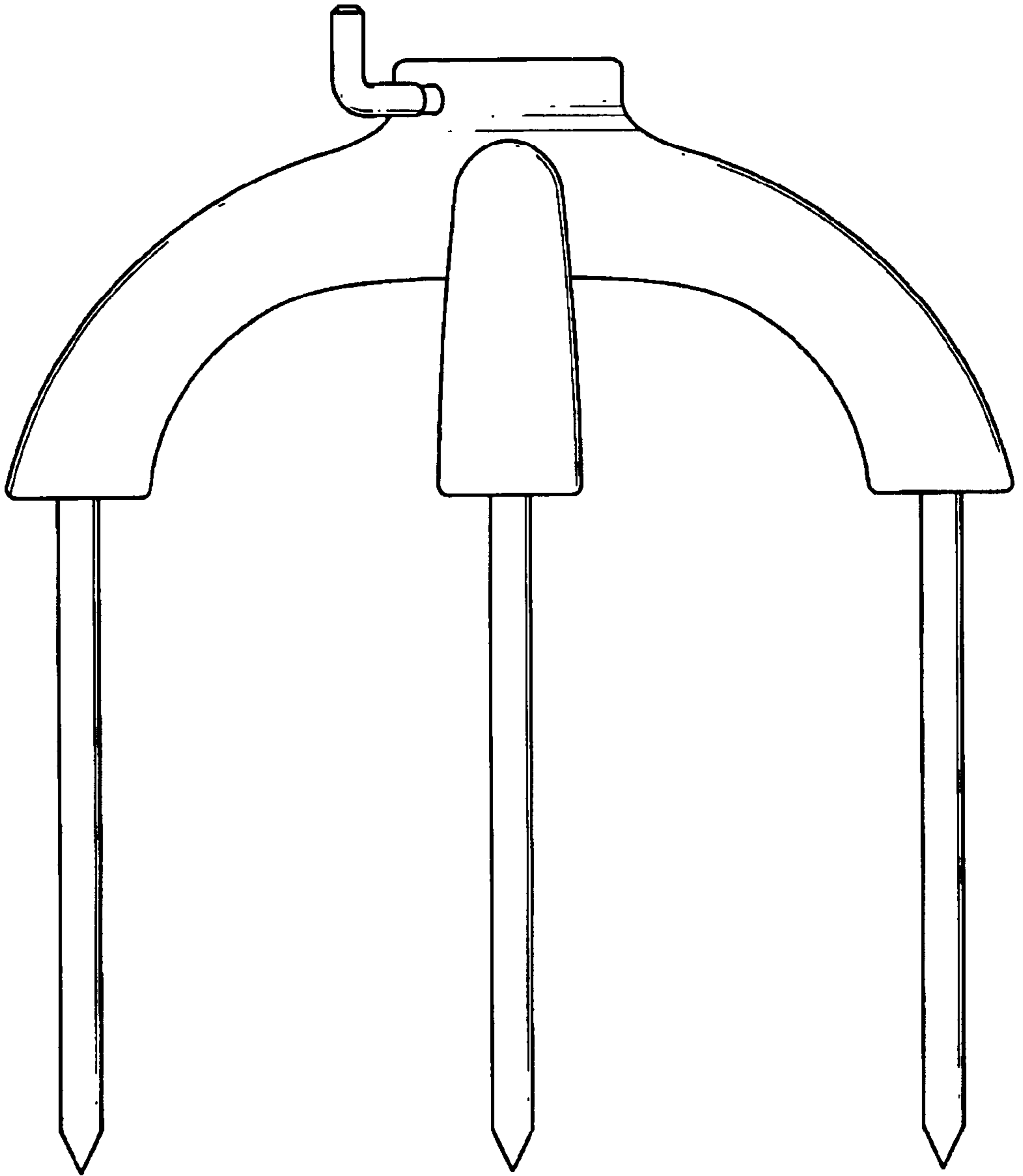
FIG. 1



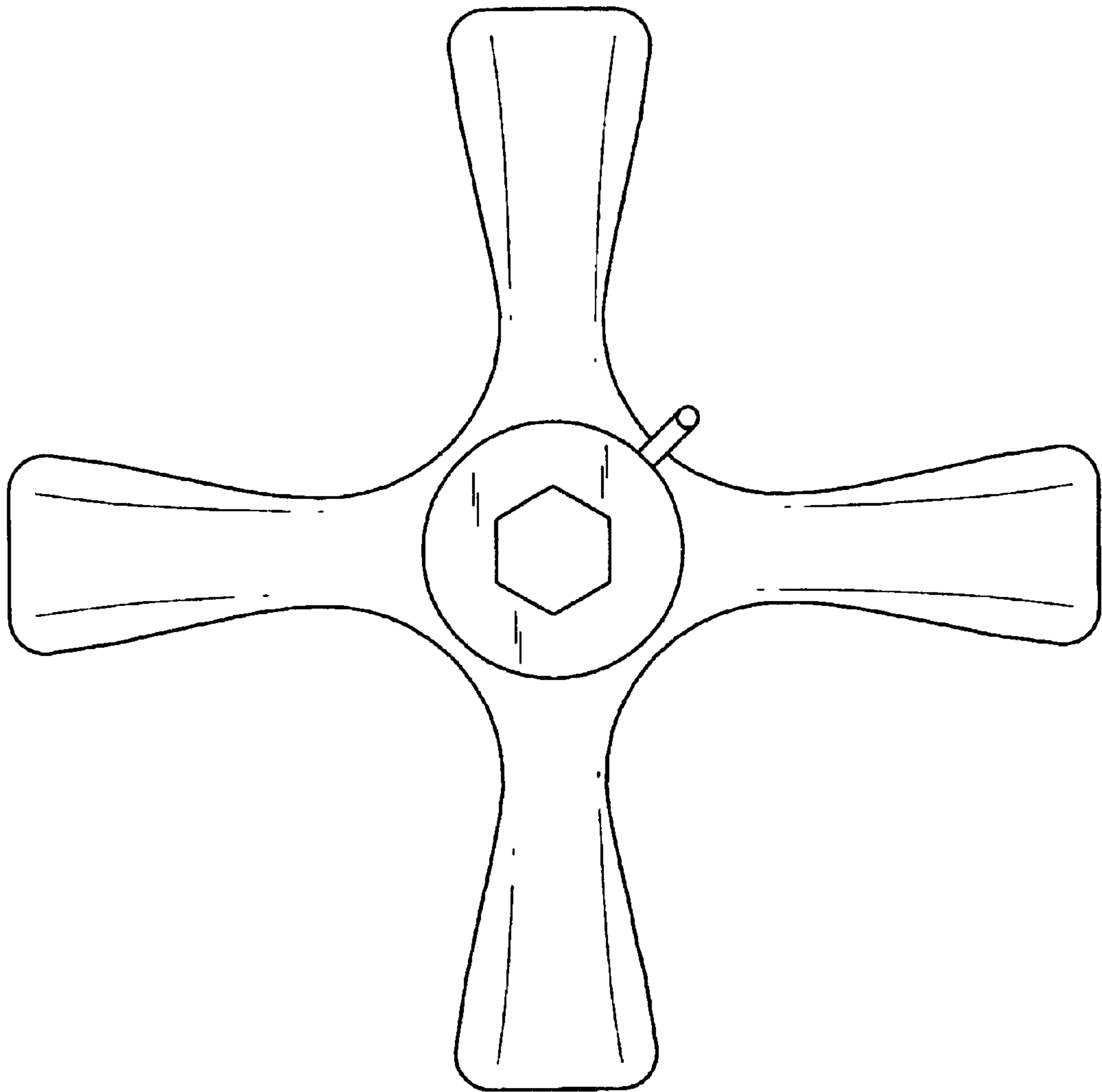
*FIG. 2*



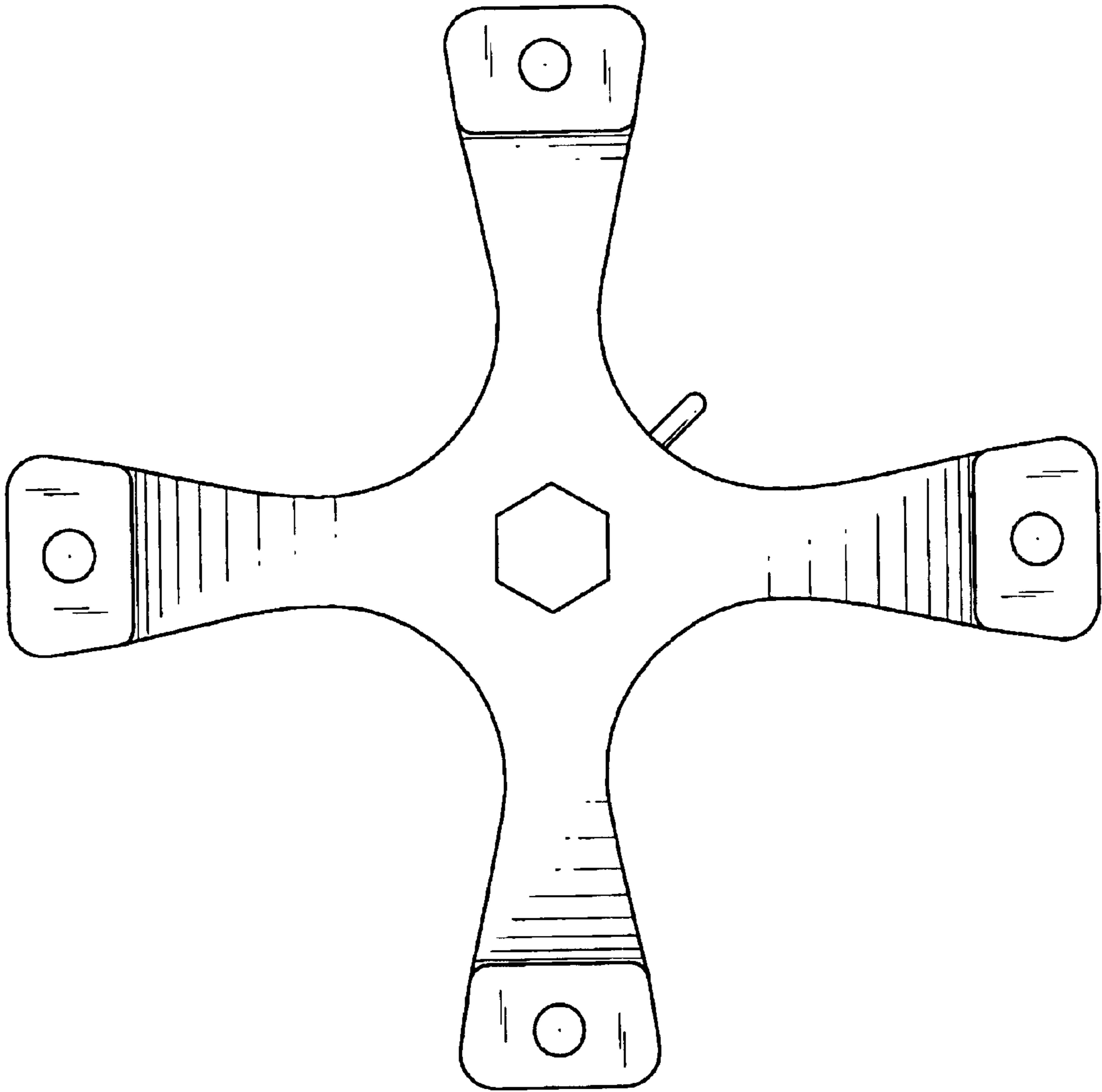
*FIG. 3*



*FIG. 4*



*FIG. 5*



*FIG. 6*