



US00D479947S

(12) **United States Design Patent**
Claypool

(10) **Patent No.:** **US D479,947 S**

(45) **Date of Patent:** **** Sep. 30, 2003**

(54) **FLEXIBLE HANDLE FOR CONTAINERS**
(75) Inventor: **Christopher J. Claypool**, Orlando, FL (US)
(73) Assignee: **Dart Industries Inc.**, Orlando, FL (US)
(**) Term: **14 Years**

D254,170 S	2/1980	Croyle et al.	
D277,256 S	1/1985	Picozza	
D282,337 S	1/1986	Picozza	
D305,959 S	2/1990	Laguerra	
D330,513 S	10/1992	Gilchrist	
D389,018 S	1/1998	Lillelund et al. D7/610
5,967,323 A	10/1999	Siragusa 206/499
6,349,847 B1	2/2002	Mangla et al. 220/754
D458,800 S	6/2002	Kotsonis D7/393

(21) Appl. No.: **29/161,176**
(22) Filed: **May 22, 2002**
(51) **LOC (7) Cl.** **07-02**
(52) **U.S. Cl.** **D7/393**
(58) **Field of Search** D7/393, 394, 610;
D8/396; D9/434; D34/28; 16/110.1, 406,
407; 24/16 PB, 30.5 P; 206/203, 503, 551,
820; 220/754, 758, 759, 760; 294/27.1,
31.2, 33, 137, 165, 170

* cited by examiner

Primary Examiner—Terry A. Wallace
(74) *Attorney, Agent, or Firm*—John A. Doninger

(57) **CLAIM**

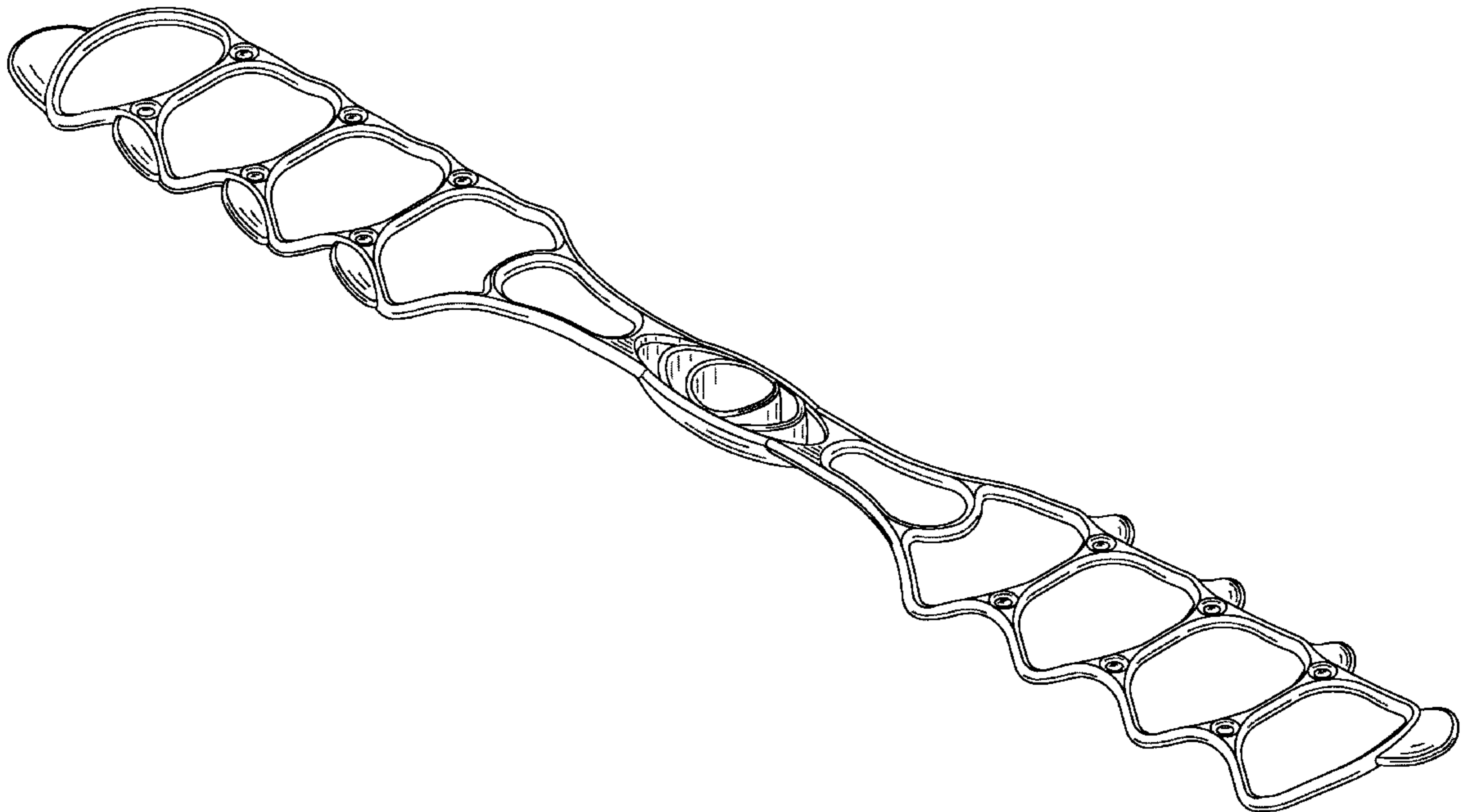
The ornamental design for a flexible handle for containers, as shown and described.

DESCRIPTION

FIG. 1 is a top, side and front perspective view of a flexible handle for containers showing the new design;
FIG. 2 is a front elevation view, the rear elevation view being identical thereto;
FIG. 3 is a left side elevation view, the right side elevation view being identical thereto;
FIG. 4 is a top plan view thereof; and,
FIG. 5 is a bottom plan view thereof.

(56) **References Cited**
U.S. PATENT DOCUMENTS
1,820,497 A 8/1931 Rose
D188,553 S 8/1960 Tupper
3,044,659 A * 7/1962 Tupper 220/760
3,092,410 A * 6/1963 Diamantides 294/33
D206,079 S * 10/1966 Swett D9/434
D241,600 S 9/1976 Ashton

1 Claim, 2 Drawing Sheets



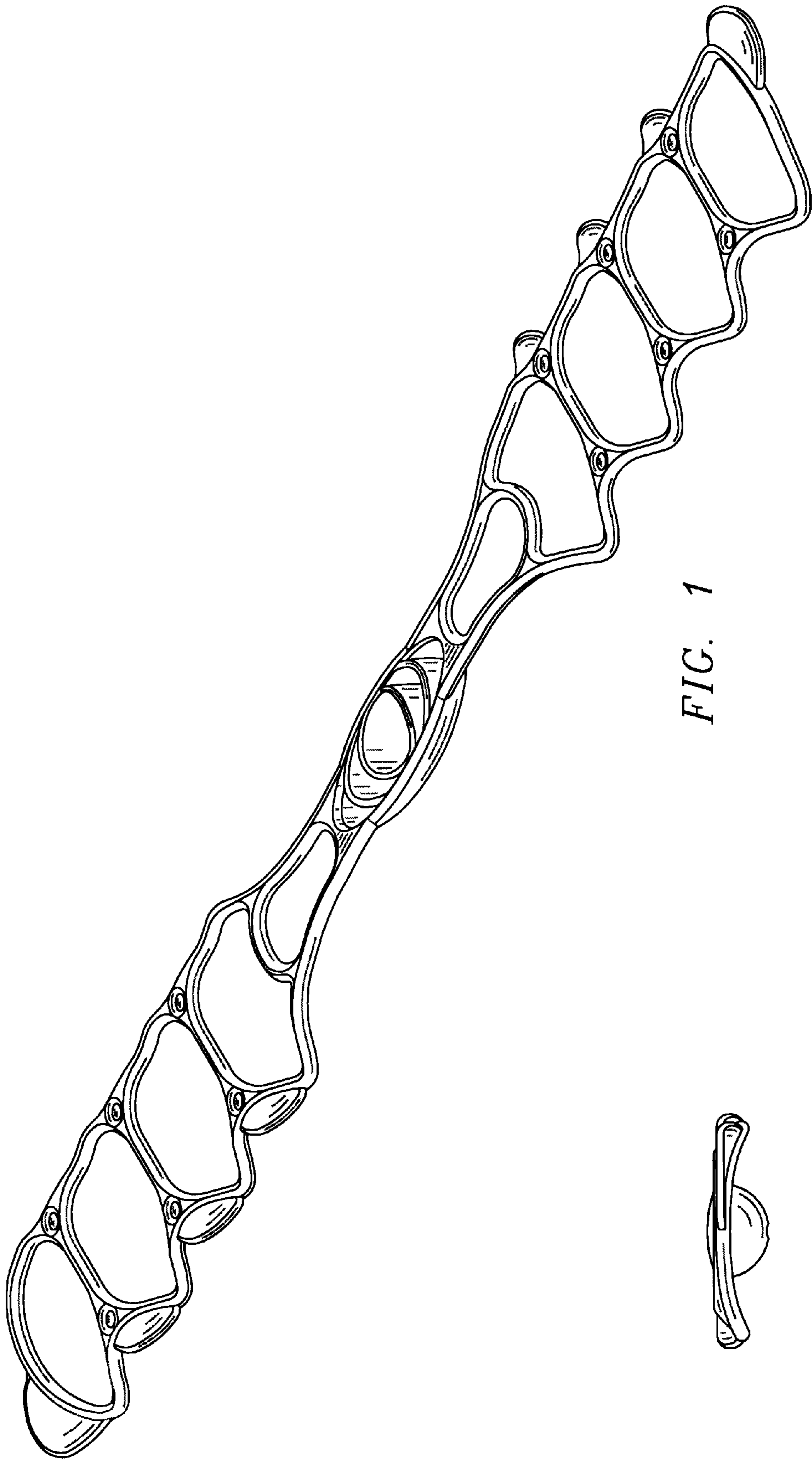


FIG. 1

FIG. 2



FIG. 3

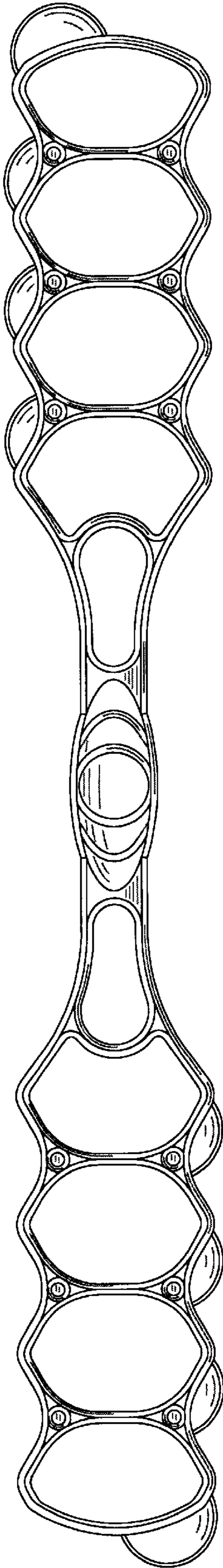


FIG. 4

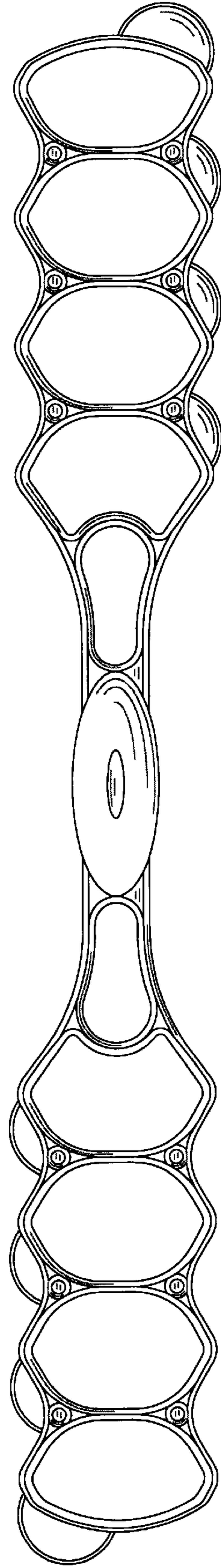


FIG. 5