



US00D479946S

(12) **United States Design Patent**  
**Jalet et al.**

(10) **Patent No.:** **US D479,946 S**

(45) **Date of Patent:** **\*\* Sep. 30, 2003**

(54) **CHILD'S SIPPER LID WITH FLUTED DOME**

(75) Inventors: **Vincent Jalet**, Brussels (BE); **Victor J. J. Cautereels**, Ranst (BE)

(73) Assignee: **Dart Industries Inc.**, Orlando, FL (US)

(\*\*) Term: **14 Years**

(21) Appl. No.: **29/148,925**

(22) Filed: **Sep. 28, 2001**

(51) **LOC (7) Cl.** ..... **07-99**

(52) **U.S. Cl.** ..... **D7/392.1; D7/900; D7/396.2**

(58) **Field of Search** ..... D7/392.1, 396.2,  
D7/510, 511, 900, 391; 220/603, 710.5,  
714, 717, 715, 705, 709, 713; 215/11, 1,  
386, 398, 387, 376, 388; D24/197, 199;  
D9/447; 222/568

(56) **References Cited**

**U.S. PATENT DOCUMENTS**

D179,333 S	11/1956	Tupper	
2,816,548 A	9/1957	Tupper	
D306,073 S	* 2/1990	Klitsner	..... D24/197
5,294,018 A	* 3/1994	Boucher	..... 220/630
D346,932 S	* 5/1994	Cautereels et al.	..... D7/507
D348,376 S	7/1994	Rohrig	
D354,416 S	* 1/1995	Cautereels et al.	..... D7/507
D359,417 S	* 6/1995	Chen	..... D7/510
D361,469 S	* 8/1995	Young	..... D7/392.1
D363,852 S	* 11/1995	Young	..... D7/392.1
D364,314 S	* 11/1995	Humphrey et al.	..... D7/510
D397,906 S	* 9/1998	Briggs et al.	..... D7/392.1

D407,269 S	* 3/1999	Fletcher	..... D7/510
D414,873 S	* 10/1999	Kwiecinski	..... D24/197
D419,029 S	* 1/2000	Randolph	..... D7/392
D419,371 S	* 1/2000	Haley	..... D7/392.1
D421,878 S	* 3/2000	Roehrig	..... D7/510
D425,362 S	* 5/2000	Meyers et al.	..... D7/392
D429,443 S	8/2000	D'Alessio	..... D7/392.1
D434,944 S	* 12/2000	Randolph	..... D7/510
D446,685 S	* 8/2001	Atkin et al.	..... D7/510
D457,778 S	* 5/2002	Randolph et al.	..... D7/392.1
D461,361 S	* 8/2002	Orr et al.	..... D7/392.1

\* cited by examiner

*Primary Examiner*—M. N. Pandozzi

(74) *Attorney, Agent, or Firm*—Taylor J. Ross

(57) **CLAIM**

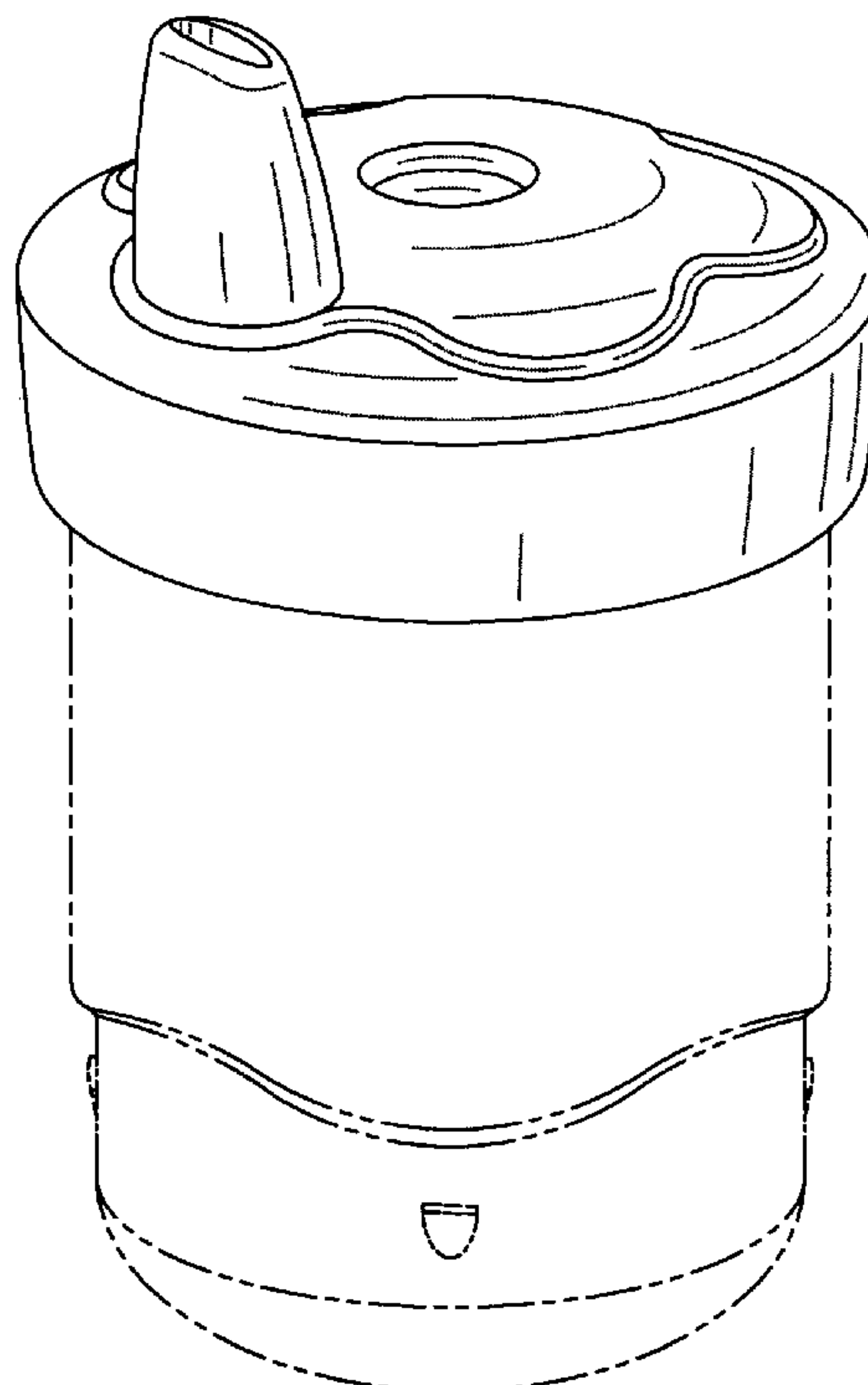
The ornamental design for a child's sipper lid with fluted dome, as shown and described.

**DESCRIPTION**

FIG. 1 is a top, side and front perspective view of a child's sipper lid with fluted dome showing the new design; FIG. 2 is a front elevation view thereof; FIG. 3 is a rear elevation view thereof; FIG. 4 is a right side elevation view thereof; FIG. 5 is a left side elevation view thereof; FIG. 6 is a top plan view thereof; and, FIG. 7 is a bottom plan view thereof.

The broken line showing environmental structure is for illustrative purposes only and forms no part of the claimed design.

**1 Claim, 3 Drawing Sheets**



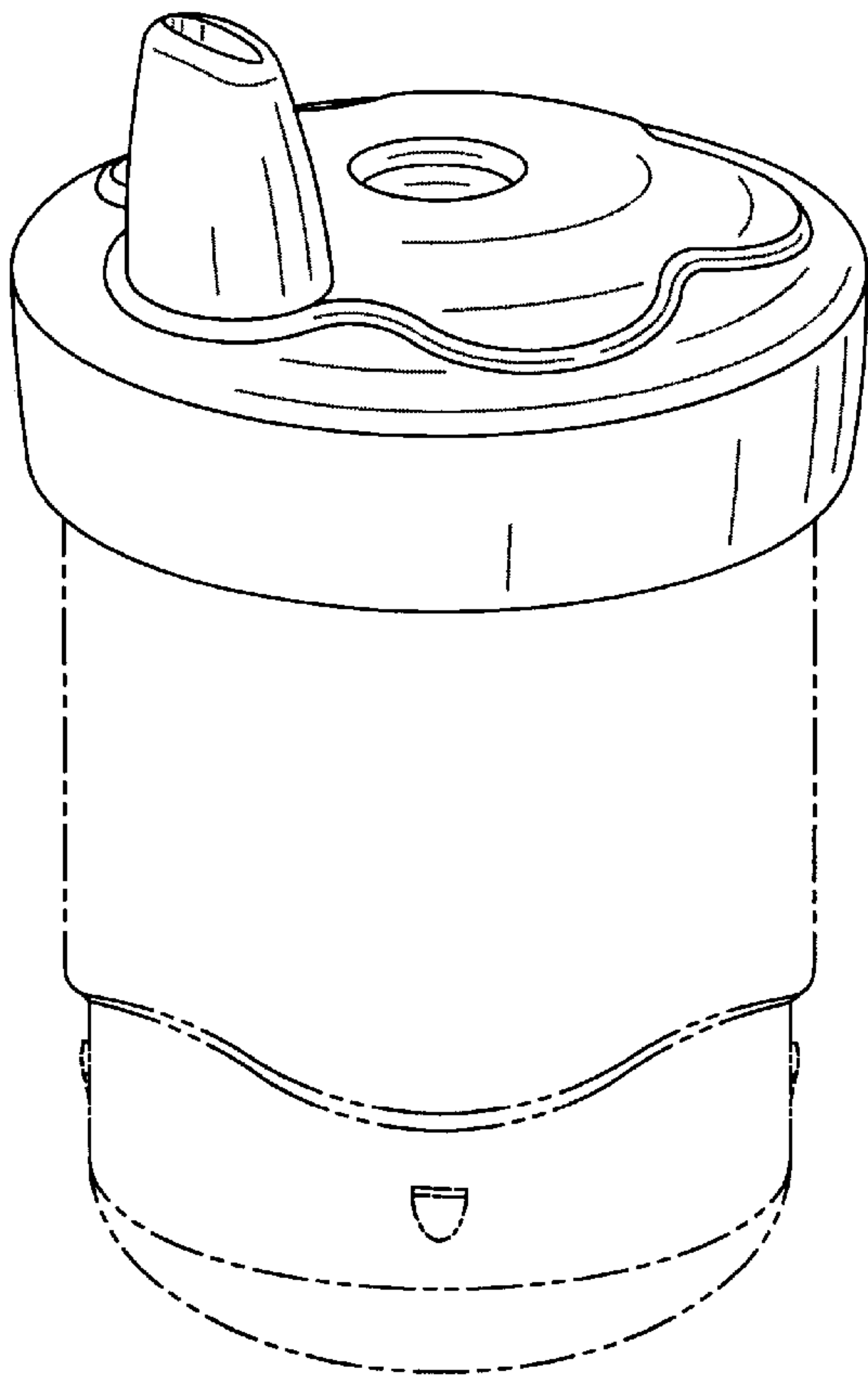


FIG. 1

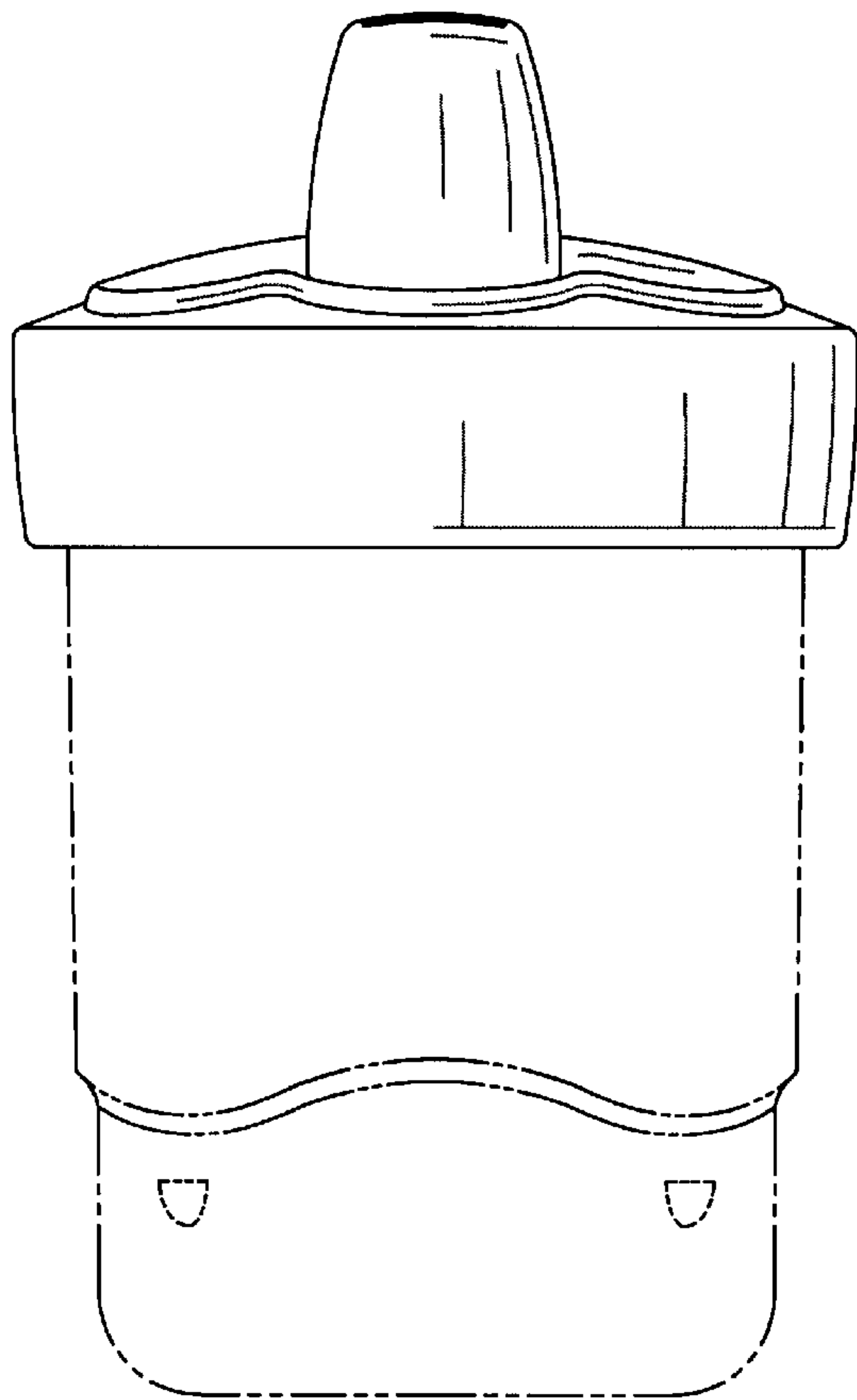


FIG. 2

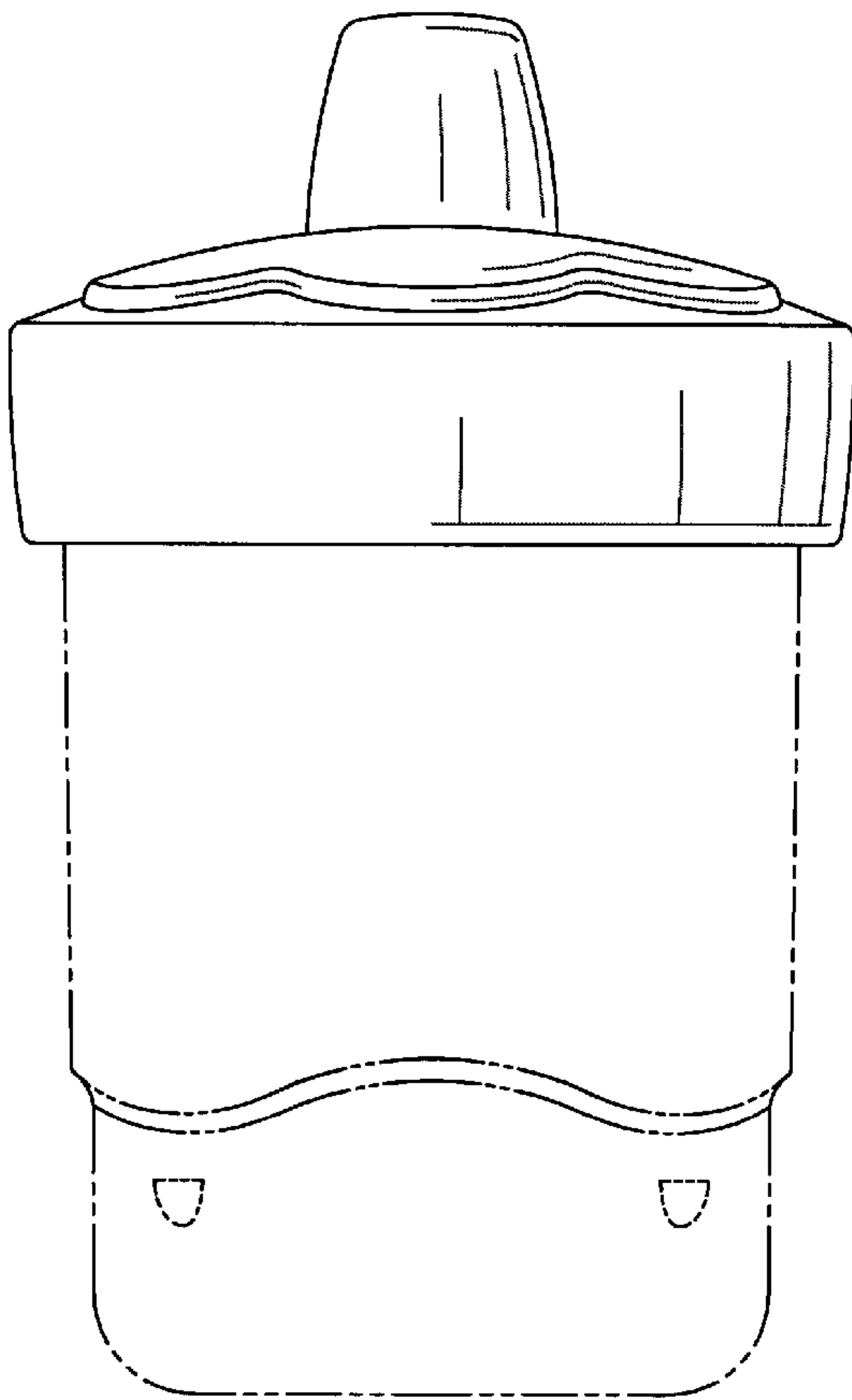


FIG. 3

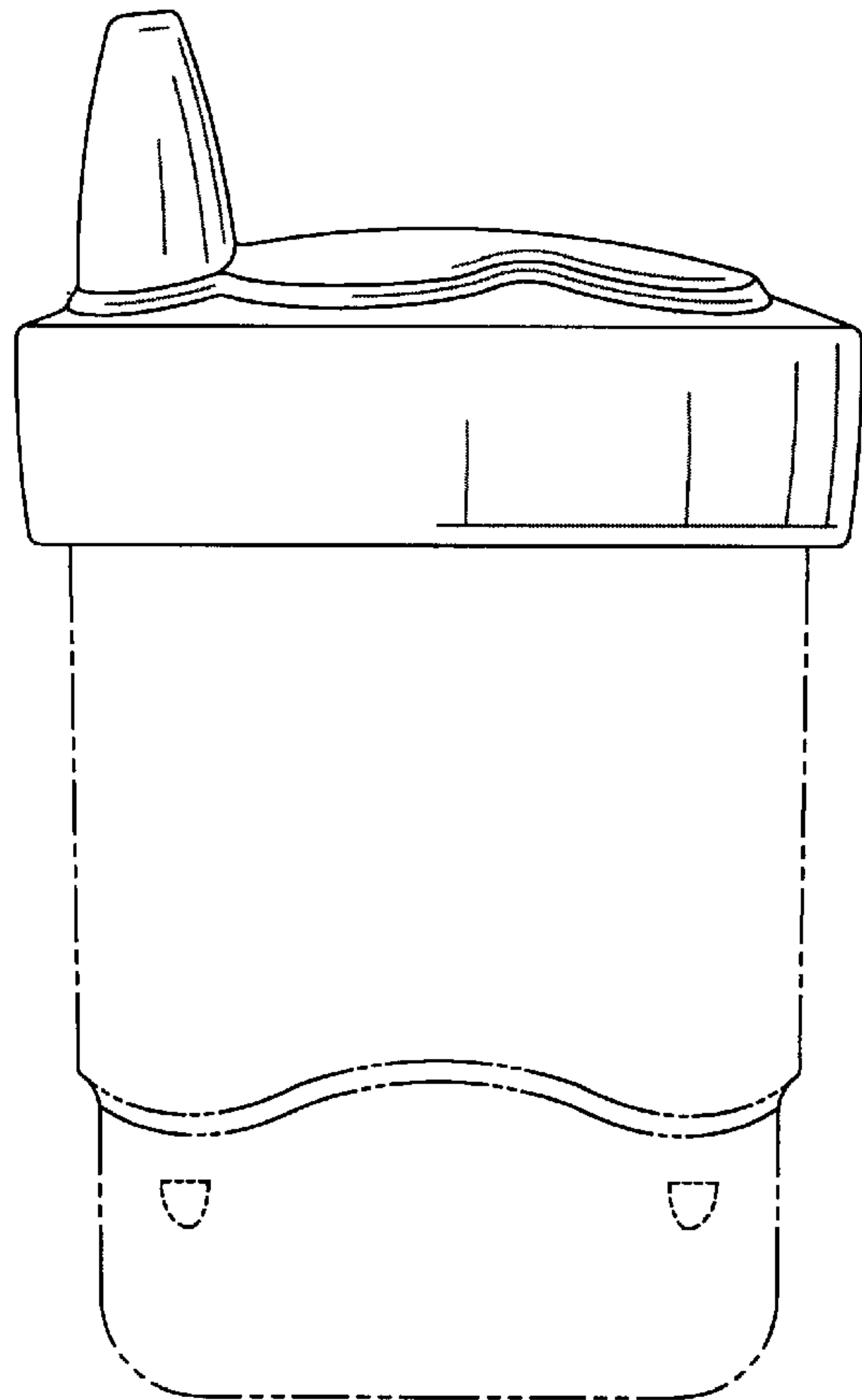


FIG. 4

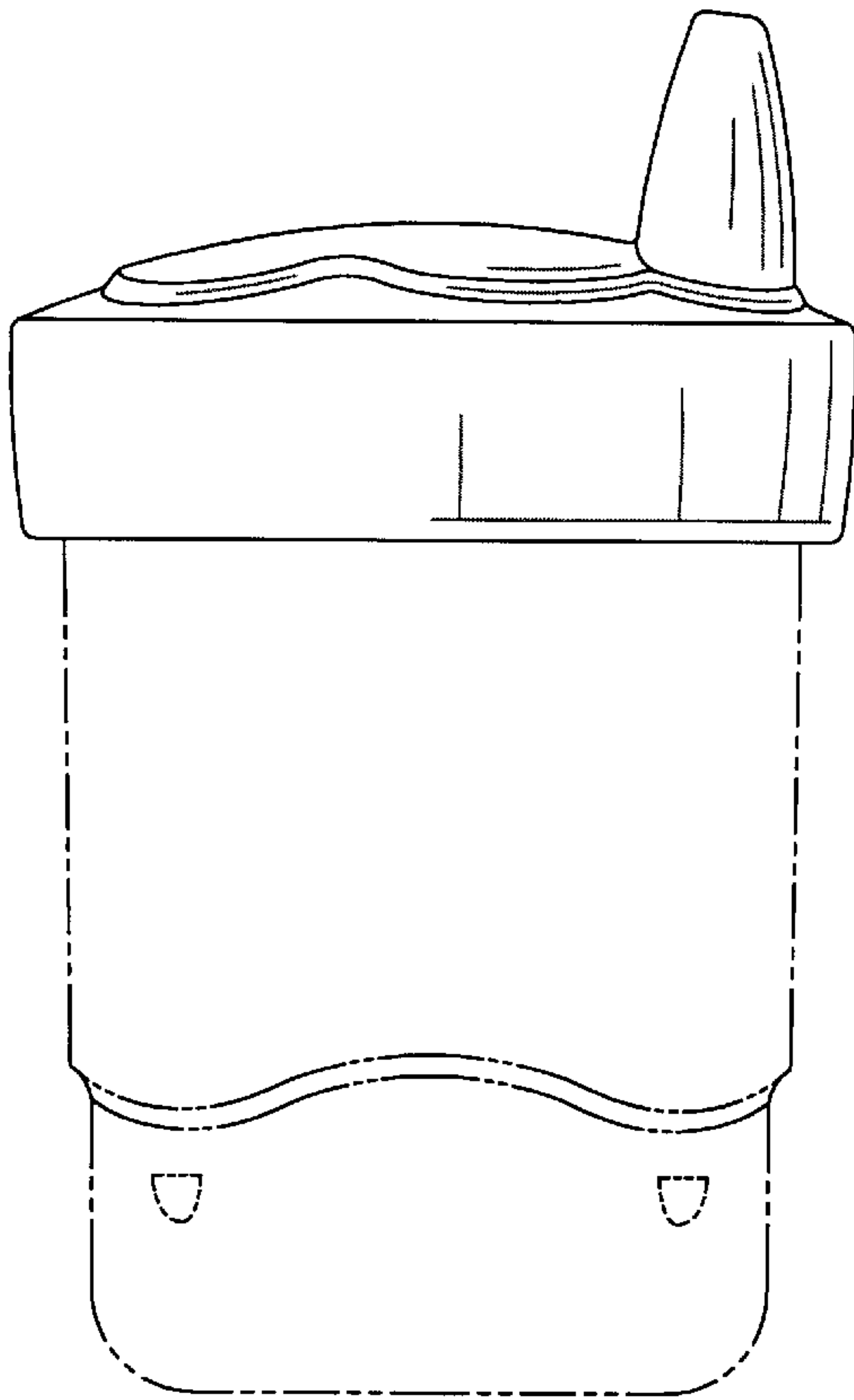


FIG. 5

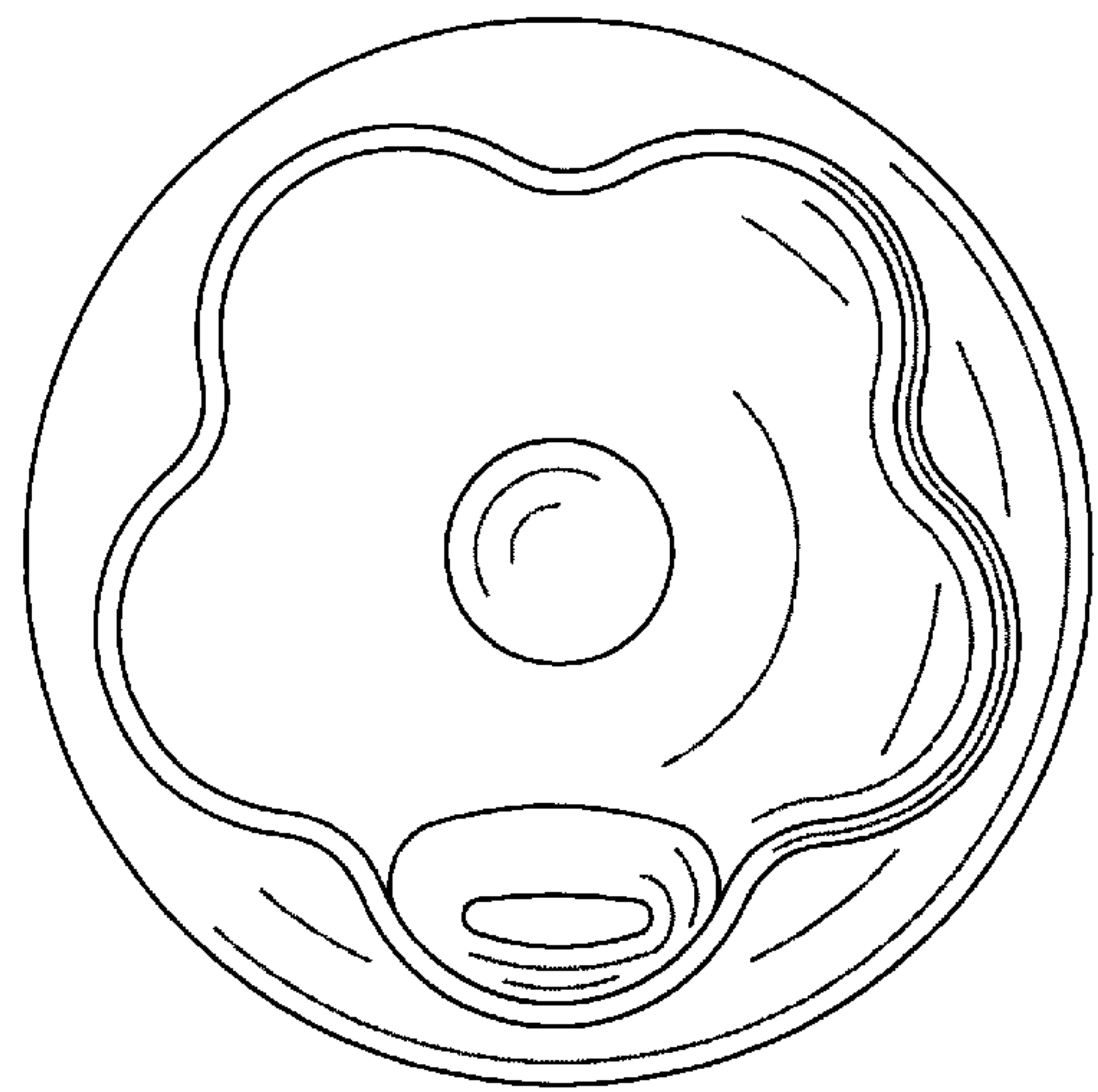


FIG. 6

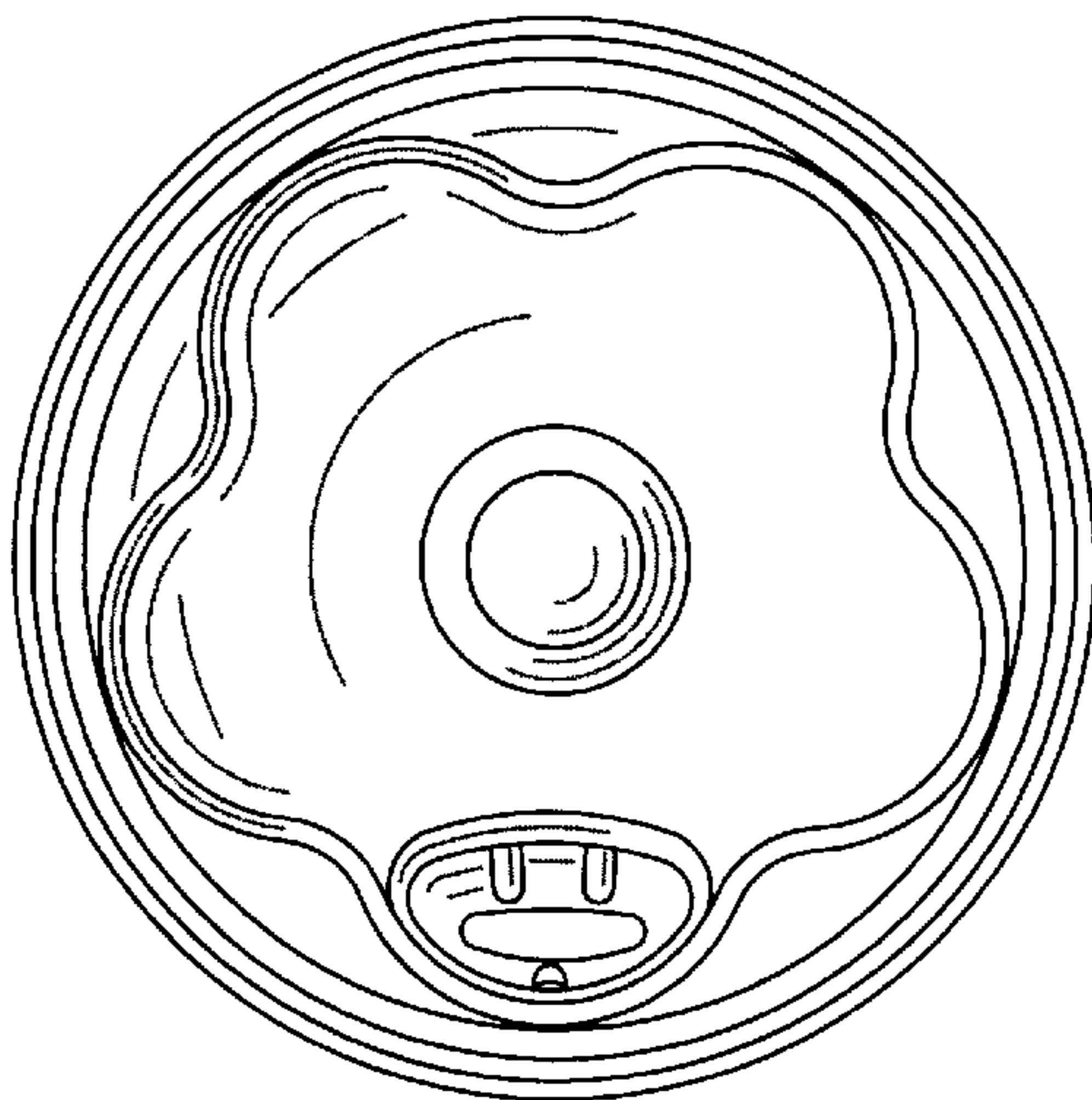


FIG. 7