



US00D479945S

(12) **United States Design Patent**
Wang

(10) **Patent No.:** **US D479,945 S**

(45) **Date of Patent:** **** Sep. 30, 2003**

(54) **BARBECUE GRILL**

(75) Inventor: **Tim Wang**, Taipei (TW)

(73) Assignee: **Collins Co., Ltd.**, Taipei (TW)

(**) Term: **14 Years**

(21) Appl. No.: **29/167,881**

(22) Filed: **Sep. 24, 2002**

(51) **LOC (7) Cl.** **07-02**

(52) **U.S. Cl.** **D7/362**

(58) **Field of Search** D7/332-337, 402-404;
126/25 R, 25 A, 25 AA, 9 R, 9 A, 9 B,
38, 40, 41 R, 26, 29-30; 99/419, 421 R,
421 H, 421 HV

(56) **References Cited**

U.S. PATENT DOCUMENTS

- D282,619 S * 2/1986 Fitzgerald et al. D7/332
- 4,627,408 A * 12/1986 Schlosser 126/41 R
- D302,641 S * 8/1989 Elmburg D7/332
- D455,598 S * 4/2002 Pai D7/337

D461,360 S * 8/2002 Bossler D7/337

D464,228 S * 10/2002 Hsu D7/337

D464,844 S * 10/2002 Pai D7/337

D468,151 S * 1/2003 Yeh et al. D7/337

D473,415 S * 4/2003 Yeh D7/337

* cited by examiner

Primary Examiner—Ruth McInroy

(74) *Attorney, Agent, or Firm*—Rosenberg, Klein & Lee

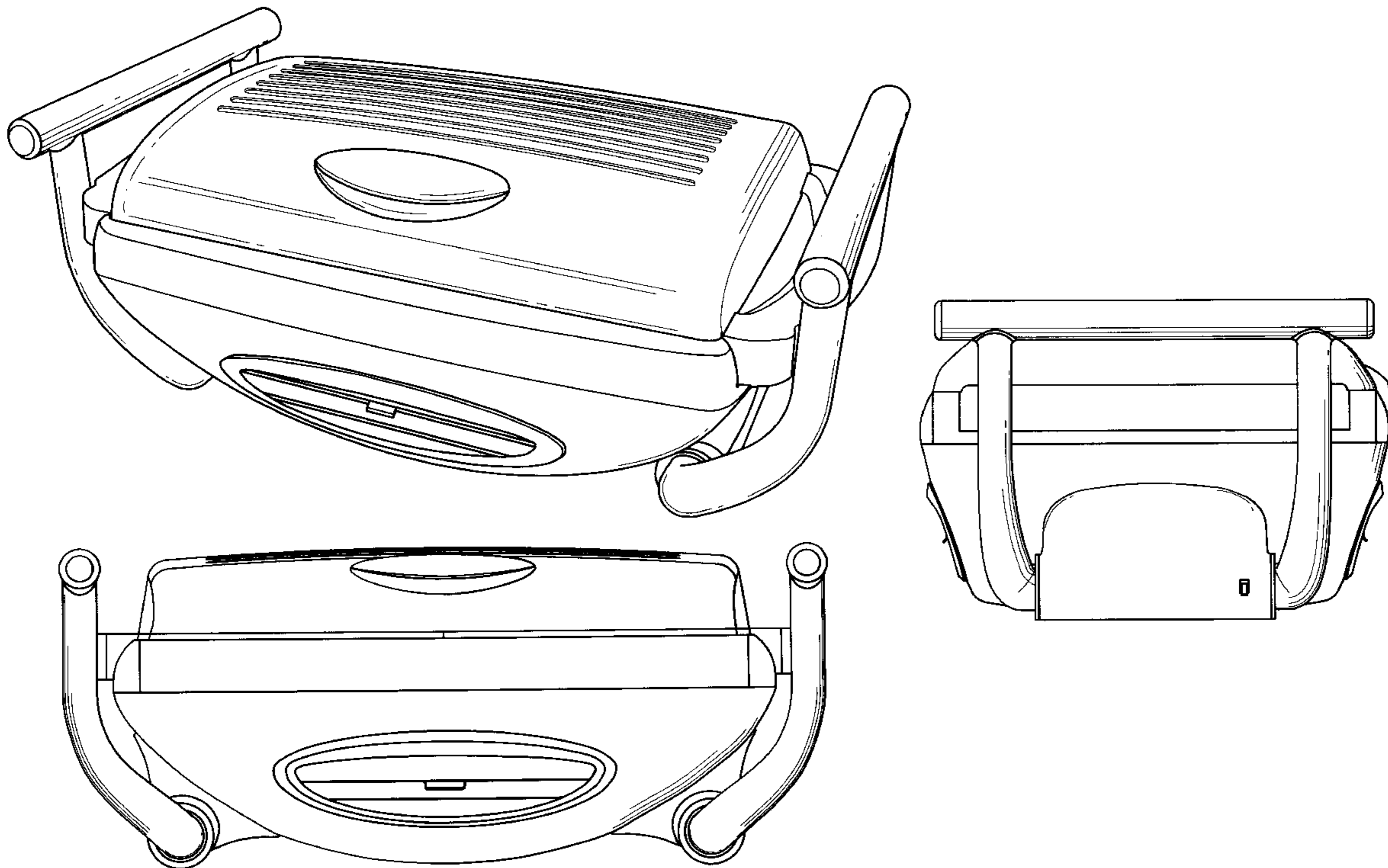
(57) **CLAIM**

The ornamental design for barbecue grill, as shown and described.

DESCRIPTION

FIG. 1 is the perspective view of a barbecue grill showing my new design;
 FIG. 2 is the front elevational view thereof;
 FIG. 3 is the rear elevational view thereof;
 FIG. 4 is the left side elevational view thereof;
 FIG. 5 is the right side elevational view thereof;
 FIG. 6 is the top plan view thereof; and,
 FIG. 7 is the bottom plan view thereof.

1 Claim, 7 Drawing Sheets



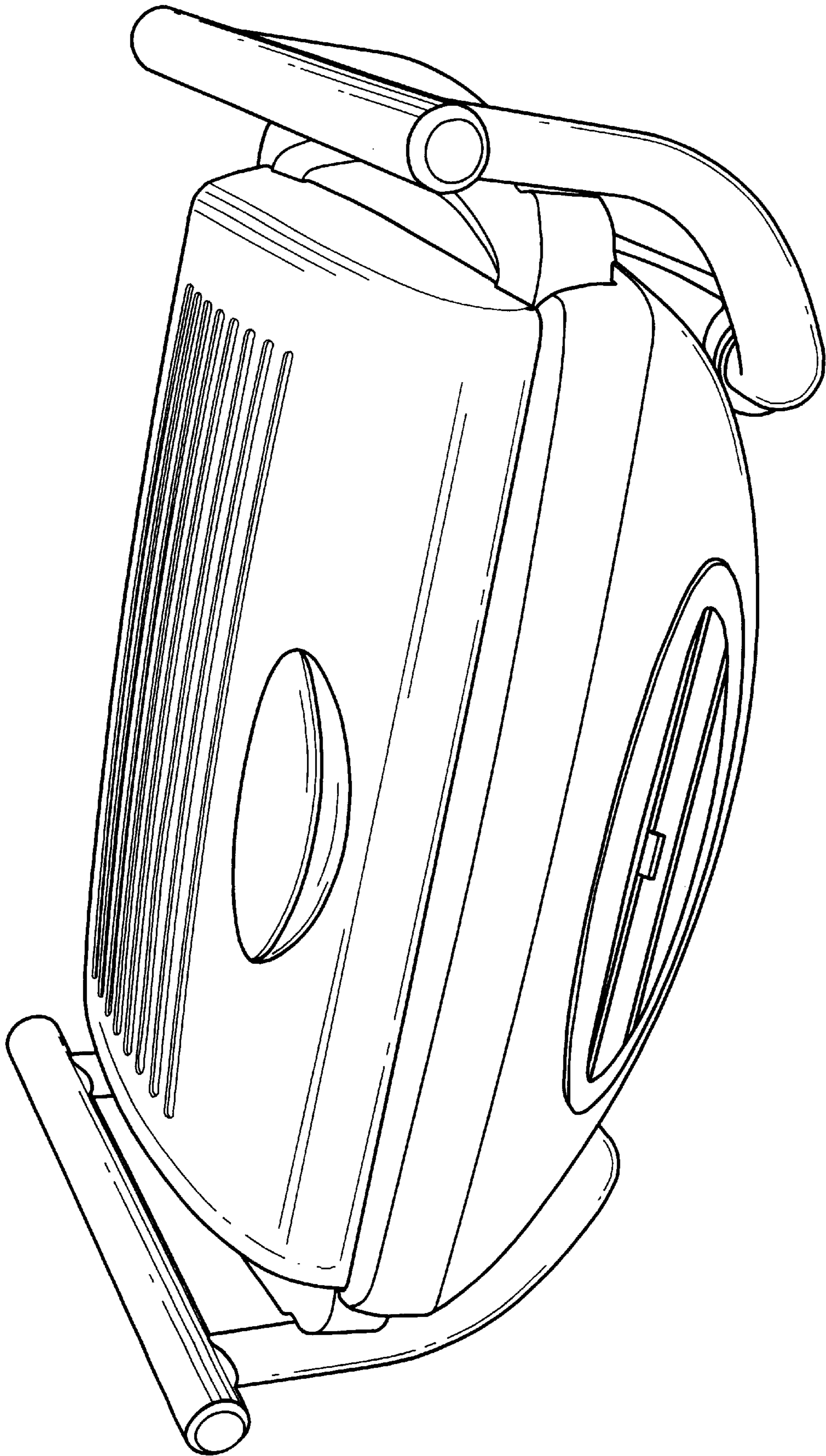


FIG. 1

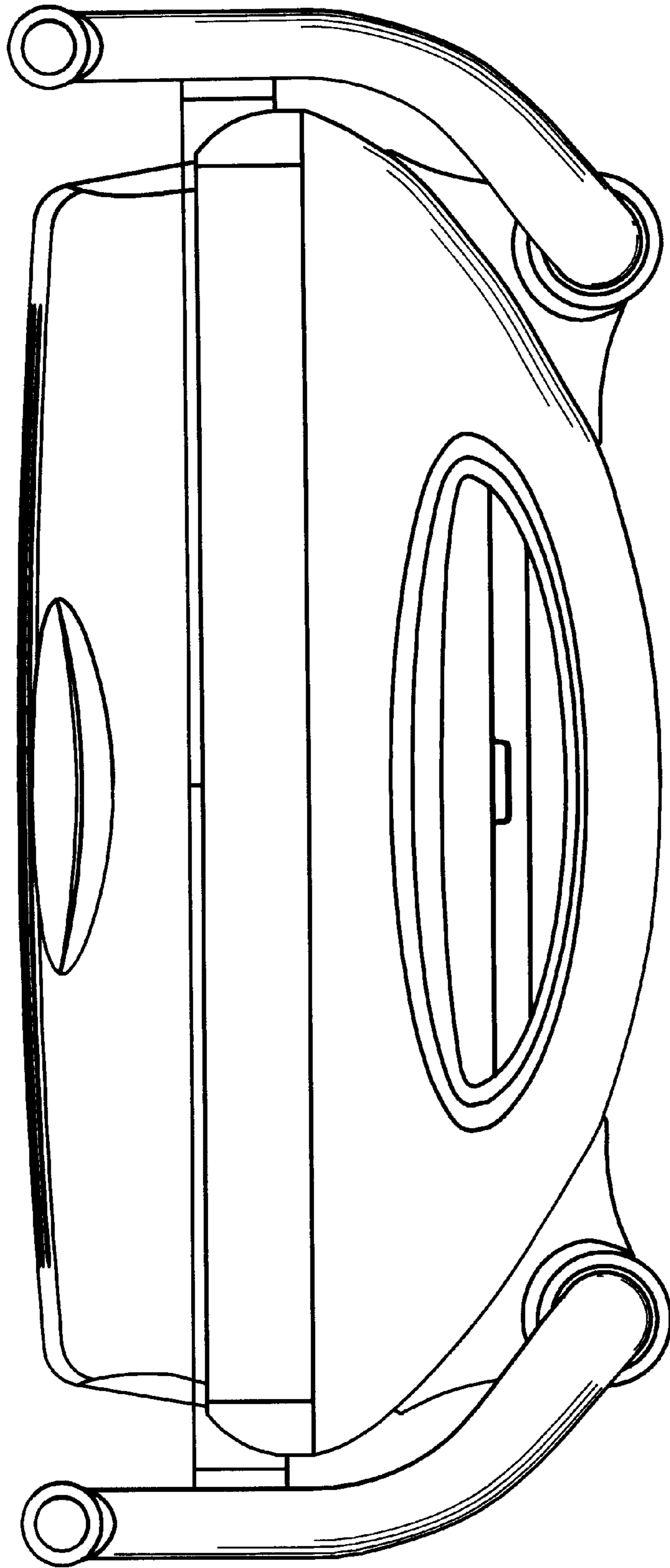


FIG. 2

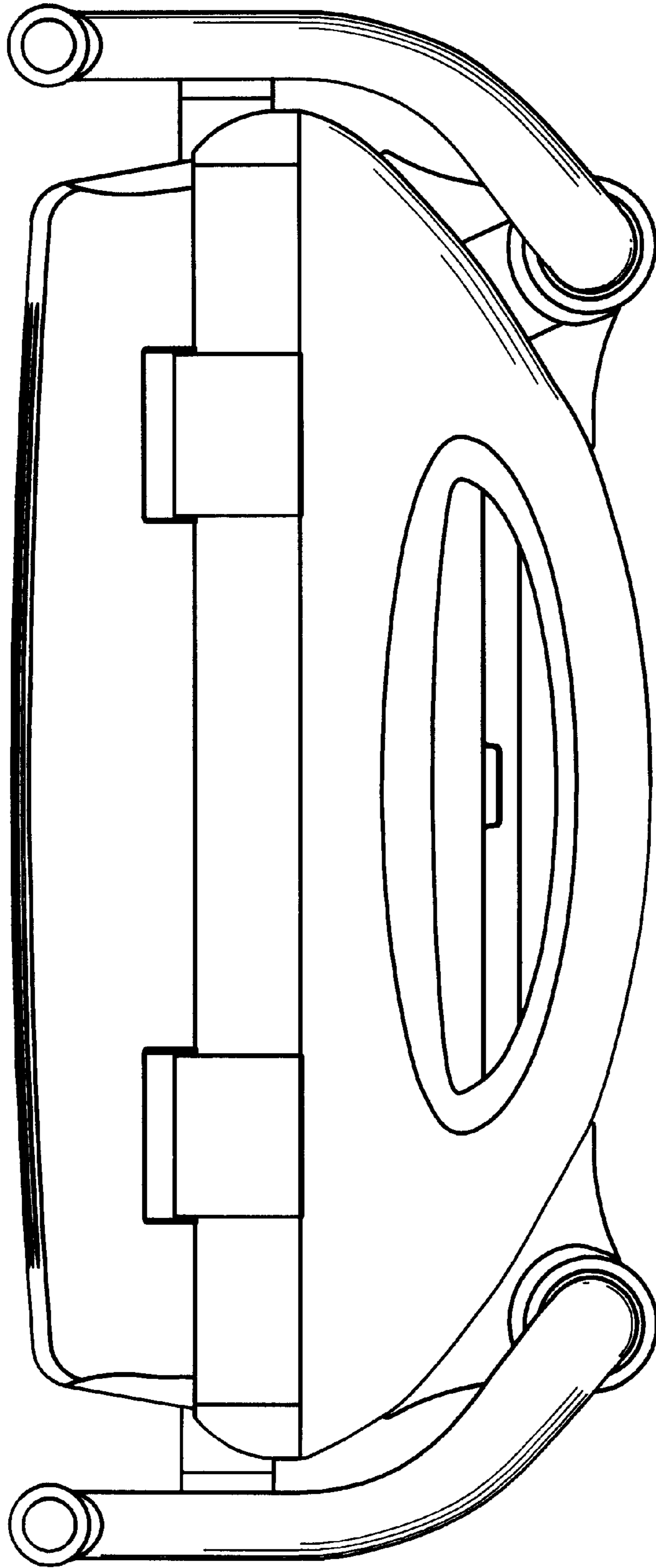


FIG. 3

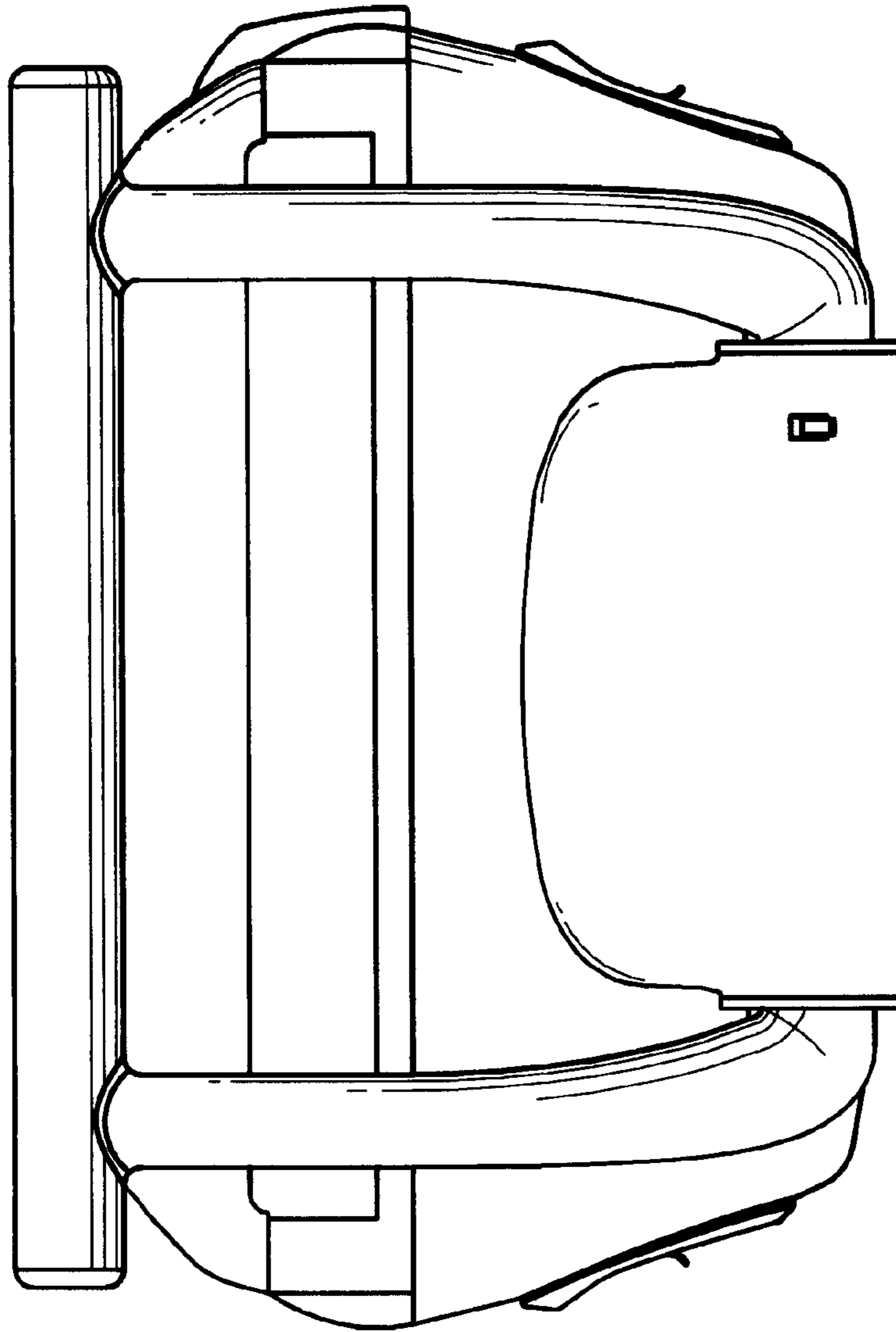


FIG. 4

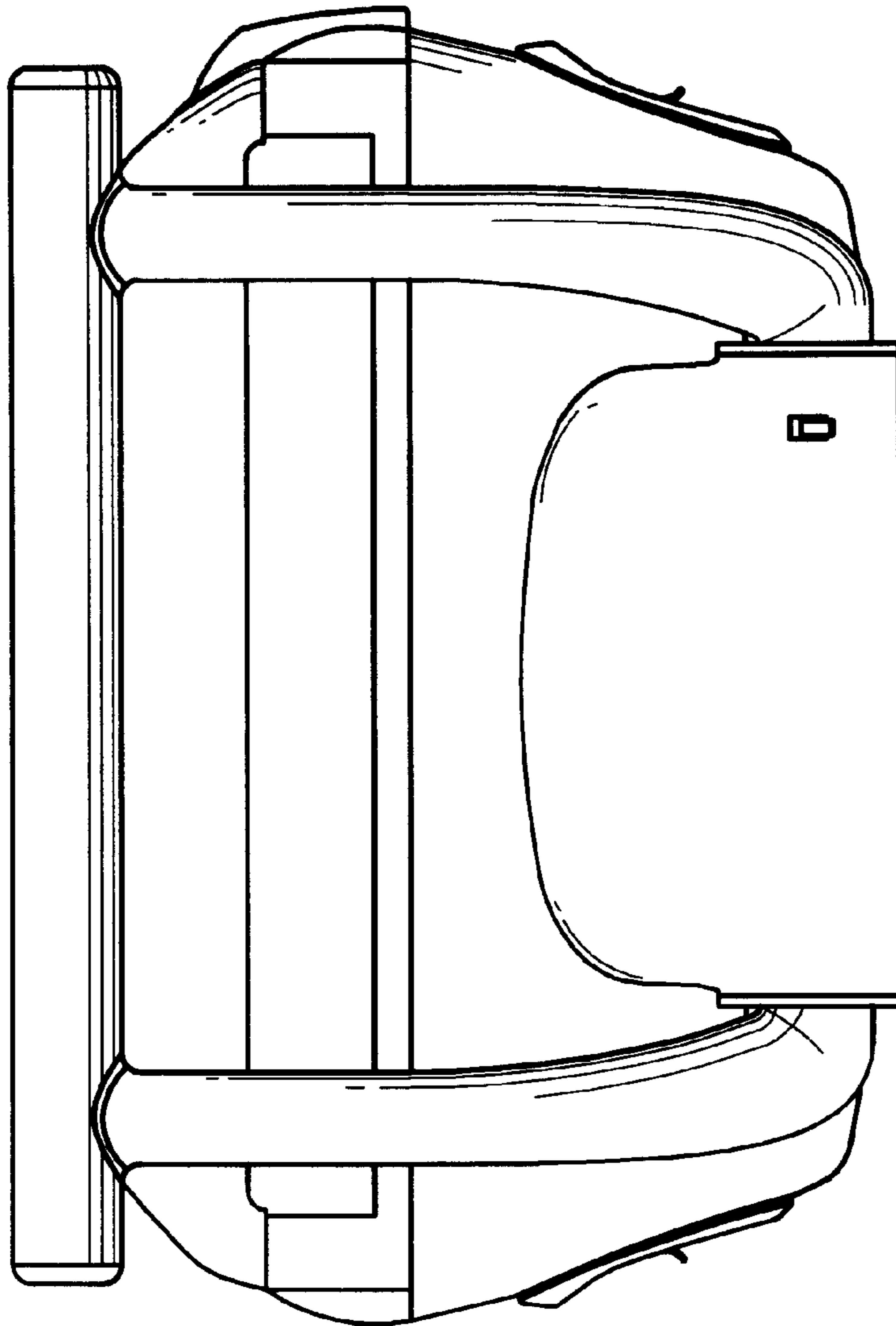


FIG. 5

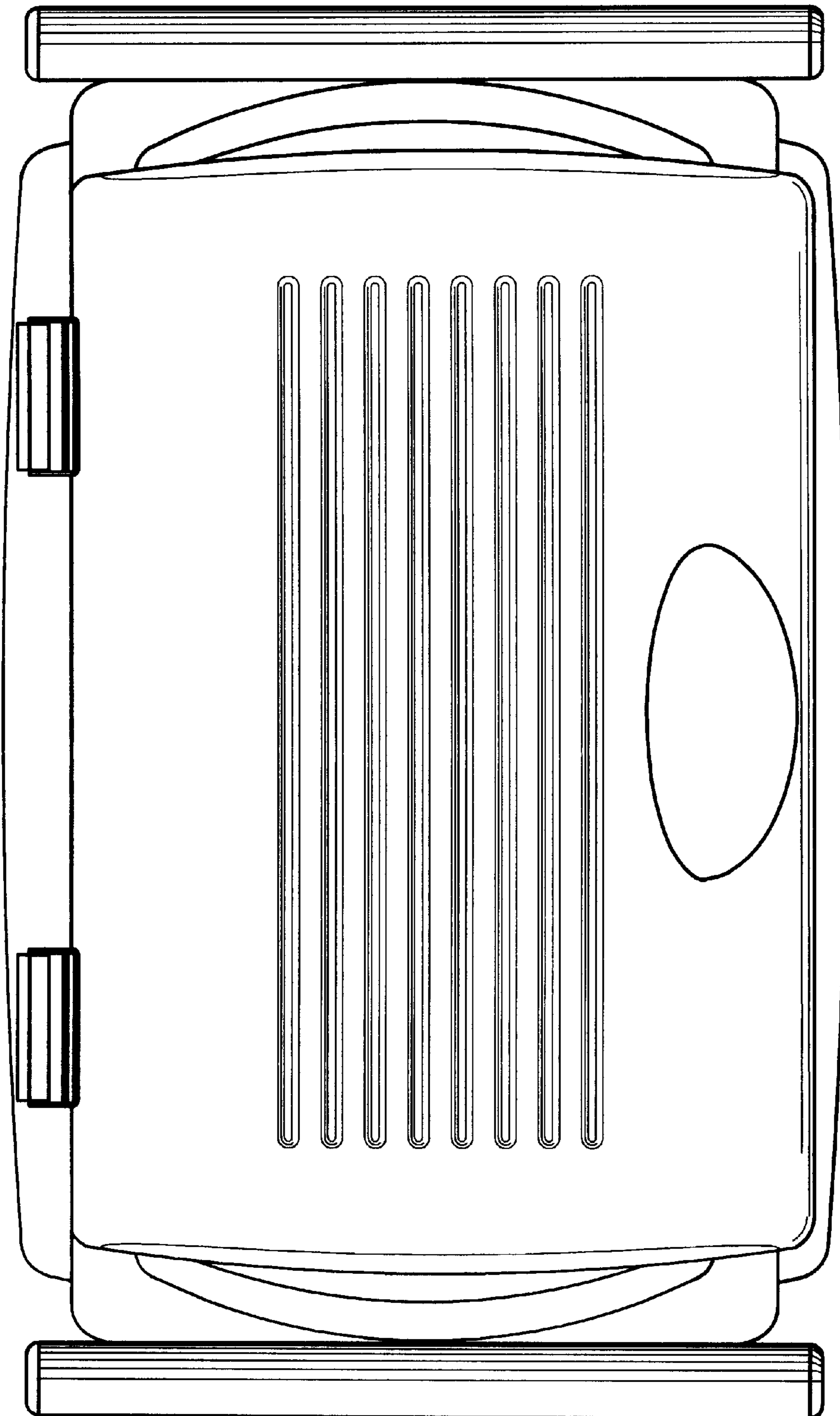


FIG. 6

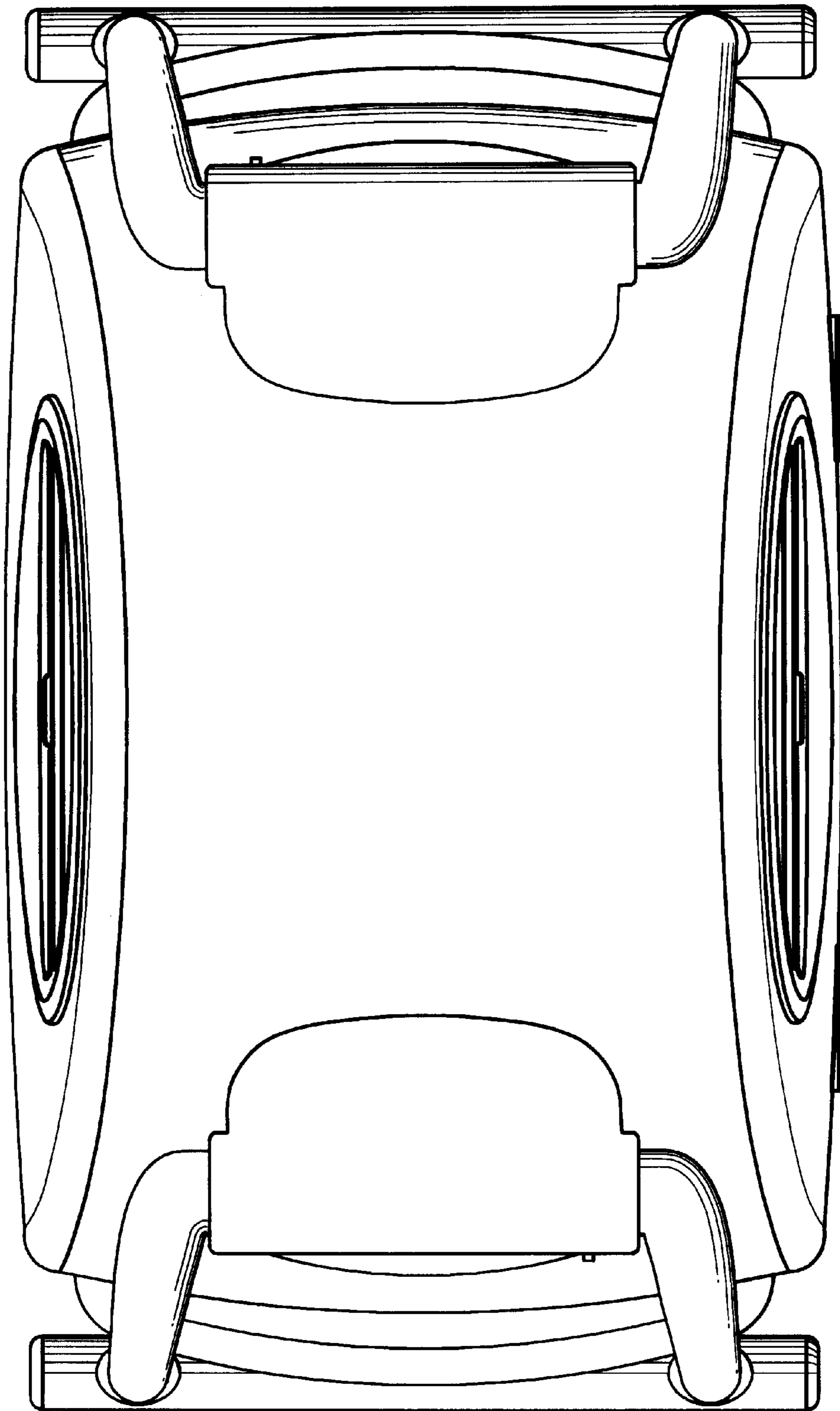


FIG. 7