



US00D479944S

(12) **United States Design Patent**
Hennessey

(10) **Patent No.:** **US D479,944 S**

(45) **Date of Patent:** **** Sep. 30, 2003**

(54) **DONUT COOKER**

(75) **Inventor:** **Christopher J. Hennessey**, Stamford, CT (US)

(73) **Assignee:** **Polyconcept USA, Inc.**, Stamford, CT (US)

(**) **Term:** **14 Years**

(21) **Appl. No.:** **29/165,639**

(22) **Filed:** **Aug. 14, 2002**

(51) **LOC (7) Cl.** **07-02**

(52) **U.S. Cl.** **D7/352**

(58) **Field of Search** D7/323, 352-361, D7/409-411, 672, 674; 99/324, 331, 341, 381, 382, 372, 403, 426, 428, 431, 439, 440, 442, 355; 219/524; 220/4.22; 426/439

(56) **References Cited**

U.S. PATENT DOCUMENTS

137,142	A	*	3/1873	Machlet	99/403
1,638,673	A	*	8/1927	Wilcox	99/382
1,663,719	A	*	3/1928	Morley	426/549
D77,875	S	*	3/1929	Bedel	D7/674
1,875,277	A	*	8/1932	Sweeney	99/381
D119,081	S	*	2/1940	Weststrang	D7/352
D175,547	S	*	9/1955	Josephson	D7/352
D179,087	S	*	10/1956	Kelso	D7/352
3,007,595	A	*	11/1961	Remley	220/4.22
3,236,196	A	*	2/1966	Ibex	426/439
D227,431	S	*	6/1973	Di Lorenzo	D7/352
D231,069	S	*	4/1974	Boldt	D7/356
D233,302	S	*	10/1974	Trovinger	D7/352
4,011,431	A	*	3/1977	Levin	219/524

D250,447	S	*	12/1978	Levin	D7/352
D250,566	S	*	12/1978	McNair et al.	D7/352
D253,218	S	*	10/1979	Johnson	D7/356
D276,971	S	*	1/1985	Potts	D7/352
6,508,166	B1	*	1/2003	Hennessey	99/355

FOREIGN PATENT DOCUMENTS

GB 3003433 * 5/2002

* cited by examiner

Primary Examiner—Caron D. Veynar

(74) *Attorney, Agent, or Firm*—Notaro & Michalos P.C.

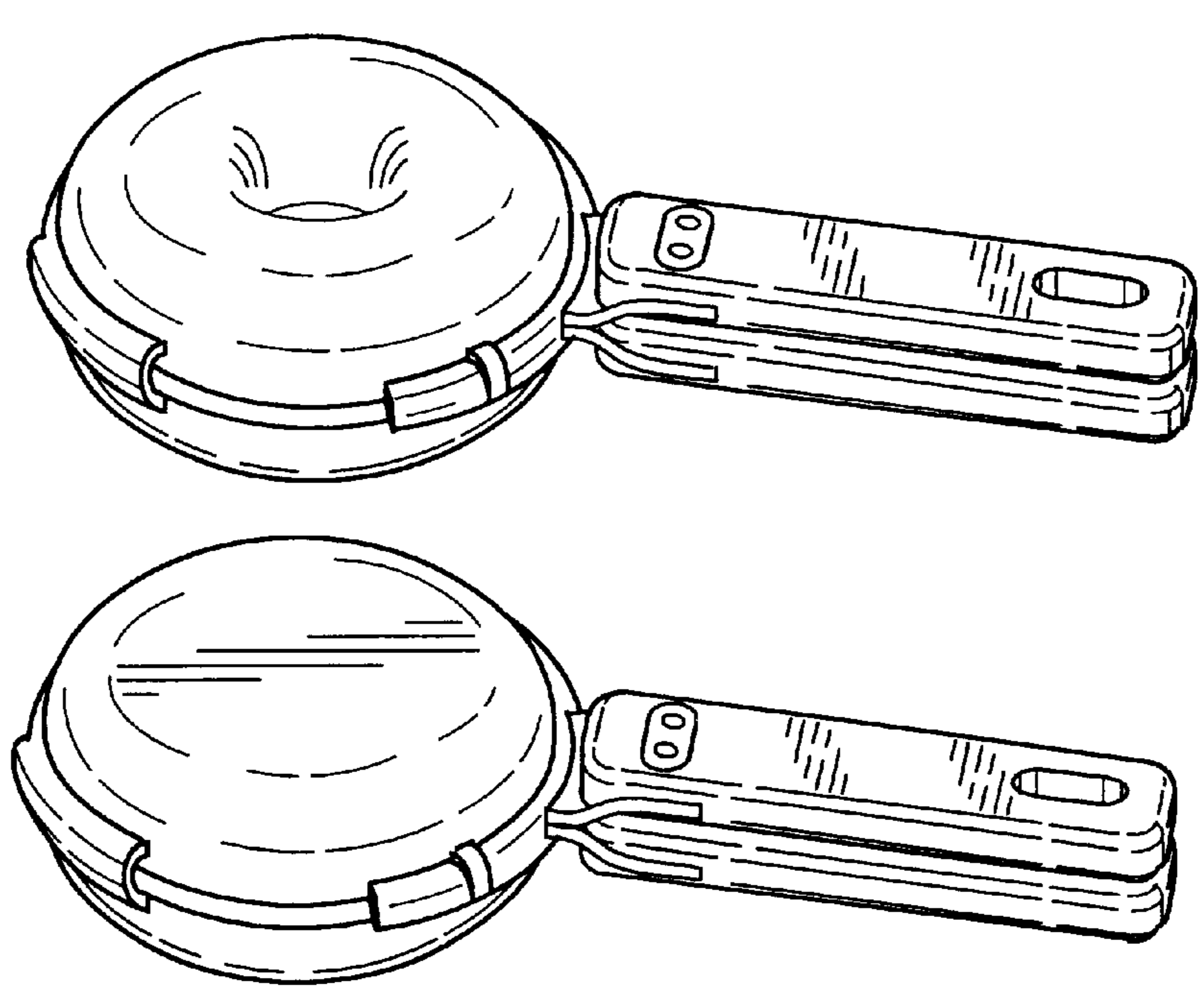
(57) **CLAIM**

The ornamental design for a donut cooker, as shown and described.

DESCRIPTION

FIG. 1 is a perspective view of a donut cooker showing a first embodiment of my invention;
 FIG. 2 is a top plan view thereof;
 FIG. 3 is a side elevational view thereof;
 FIG. 4 is an opposite side elevational view thereof;
 FIG. 5 is a bottom plan view thereof;
 FIG. 6 is a front elevational view thereof;
 FIG. 7 is a rear elevational view thereof;
 FIG. 8 is a perspective view similar to FIG. 1 illustrating a second embodiment of my invention;
 FIG. 9 is a top plan view thereof;
 FIG. 10 is a side elevational view thereof;
 FIG. 11 is an opposite side elevational view thereof;
 FIG. 12 is a bottom plan view thereof;
 FIG. 13 is a front elevational view thereof; and,
 FIG. 14 is a rear elevational view thereof.

1 Claim, 6 Drawing Sheets



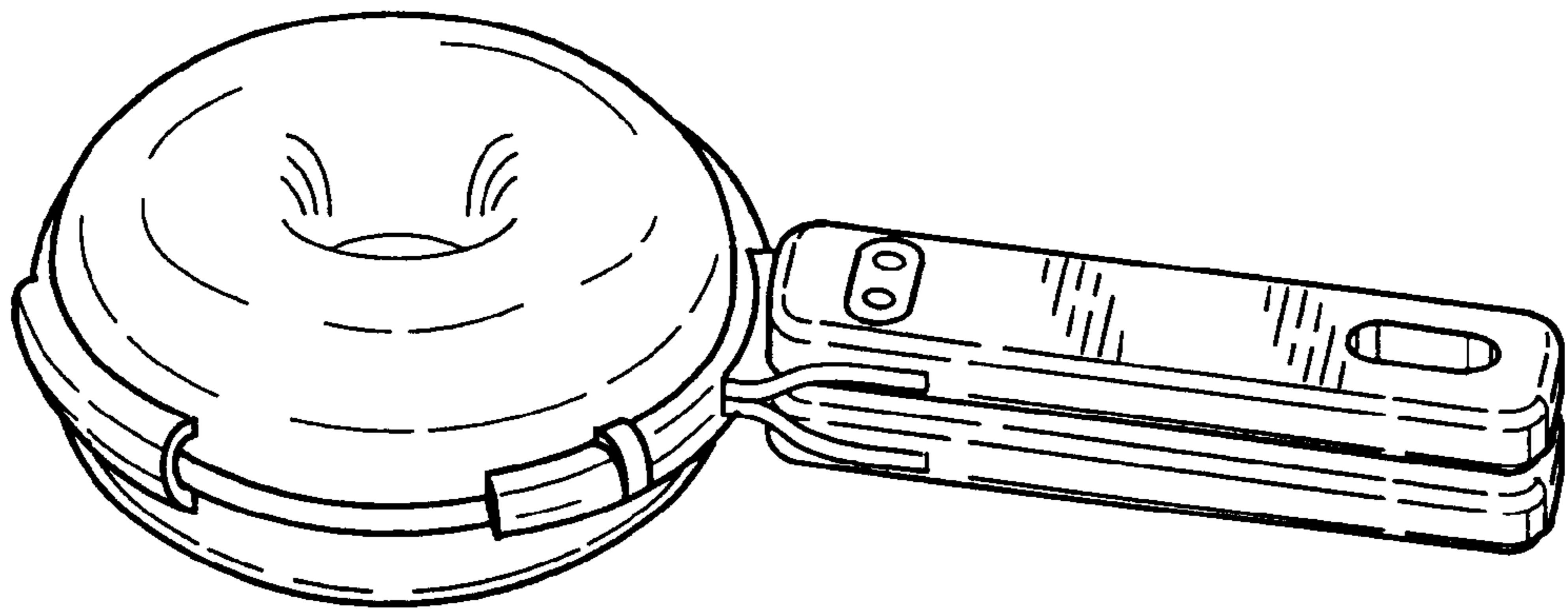


FIG. 1

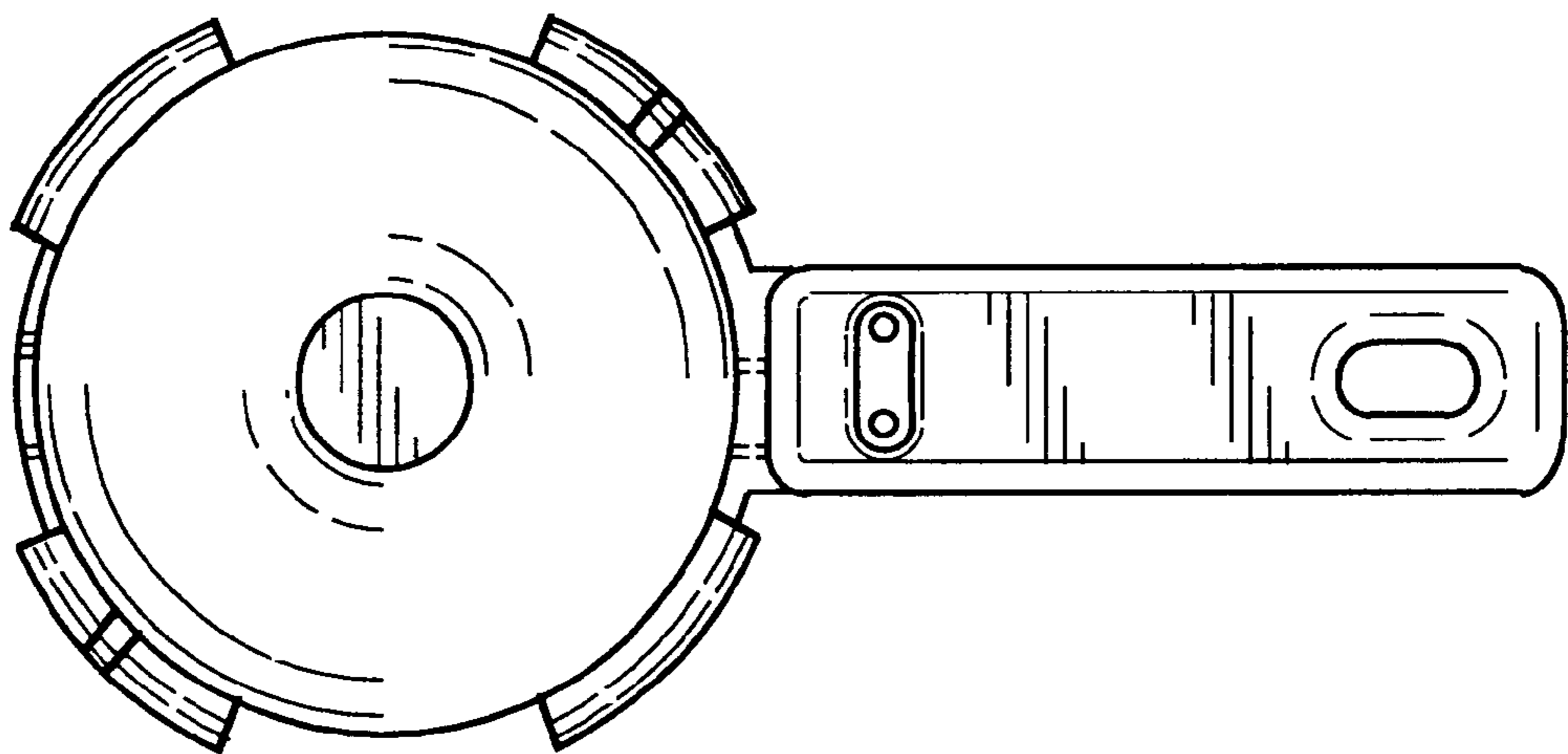


FIG. 2

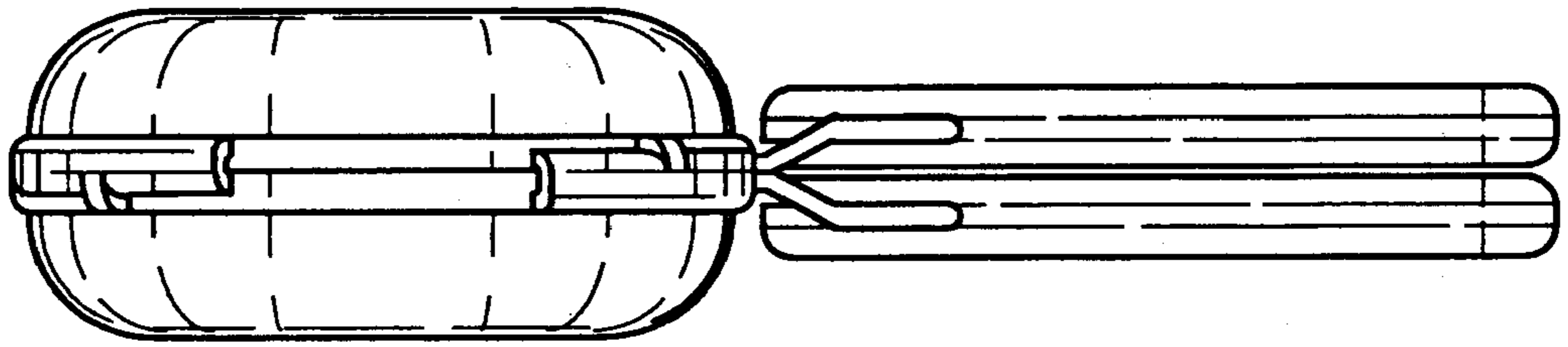


FIG. 3

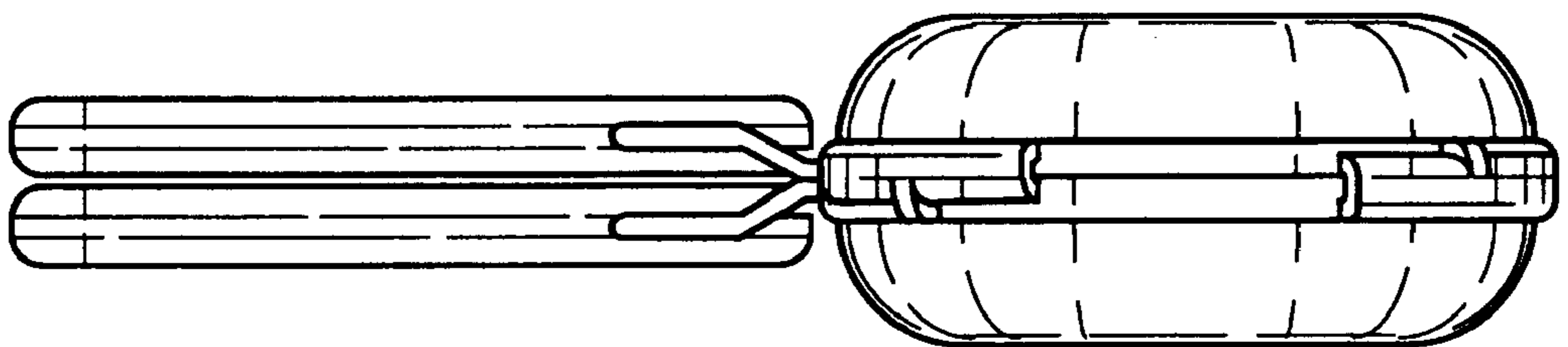


FIG. 4

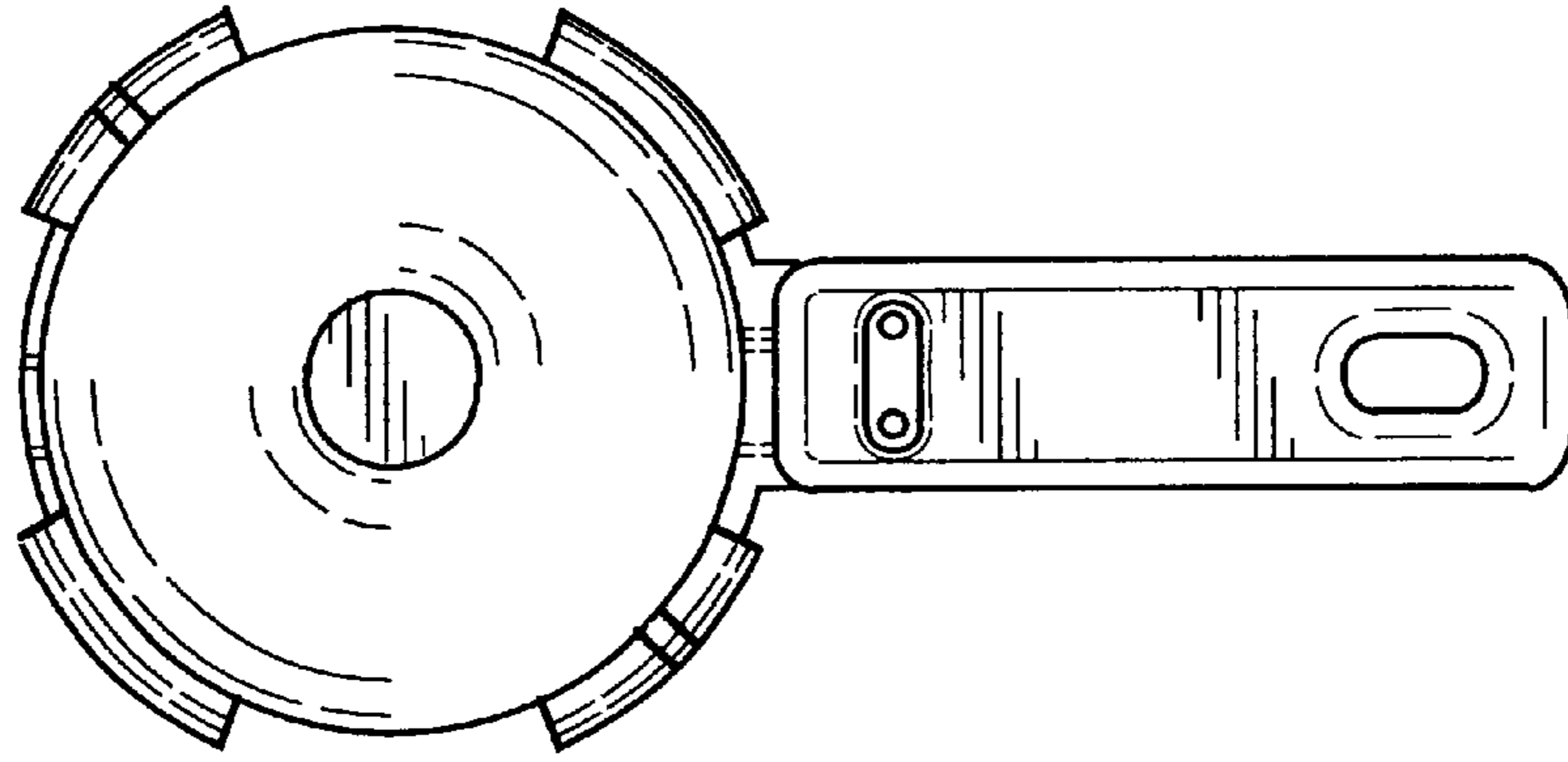


FIG. 5

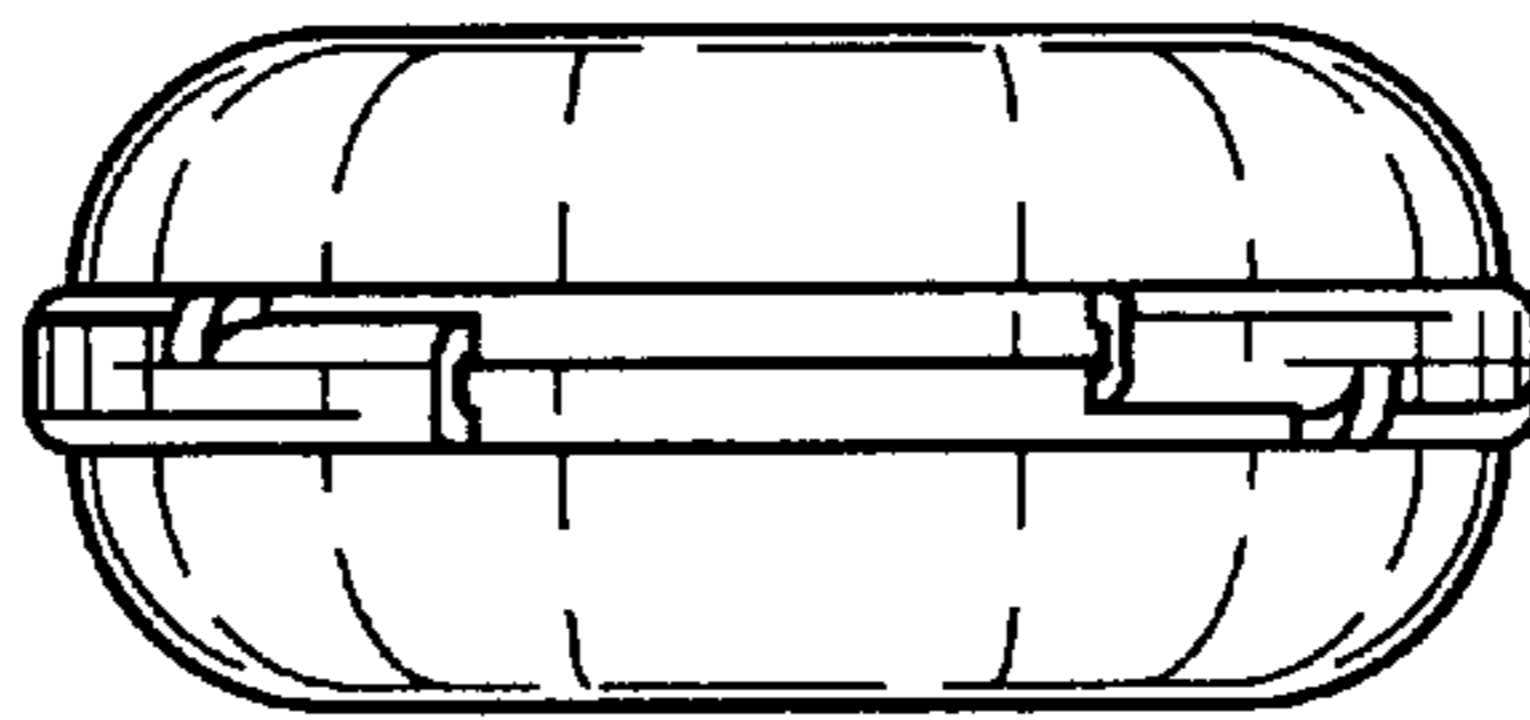


FIG. 6

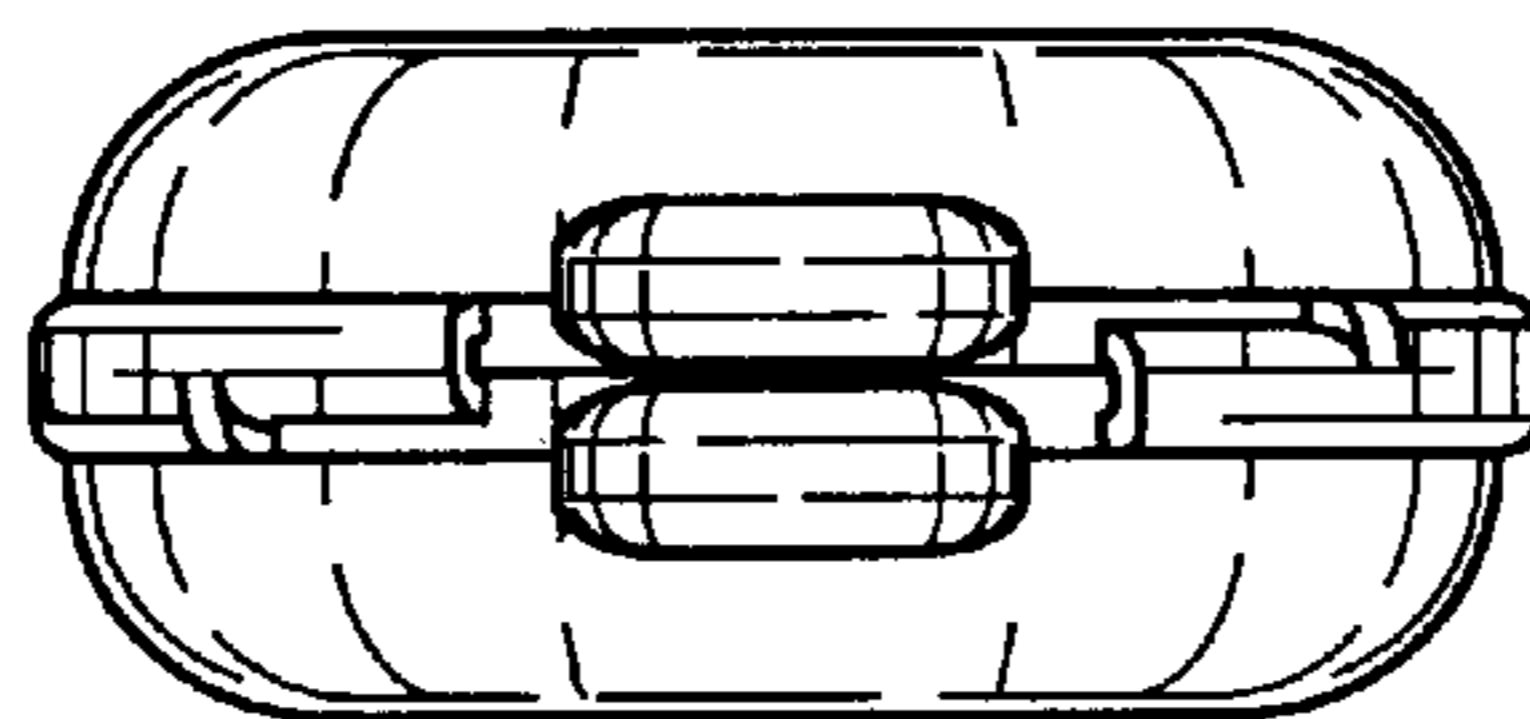


FIG. 7

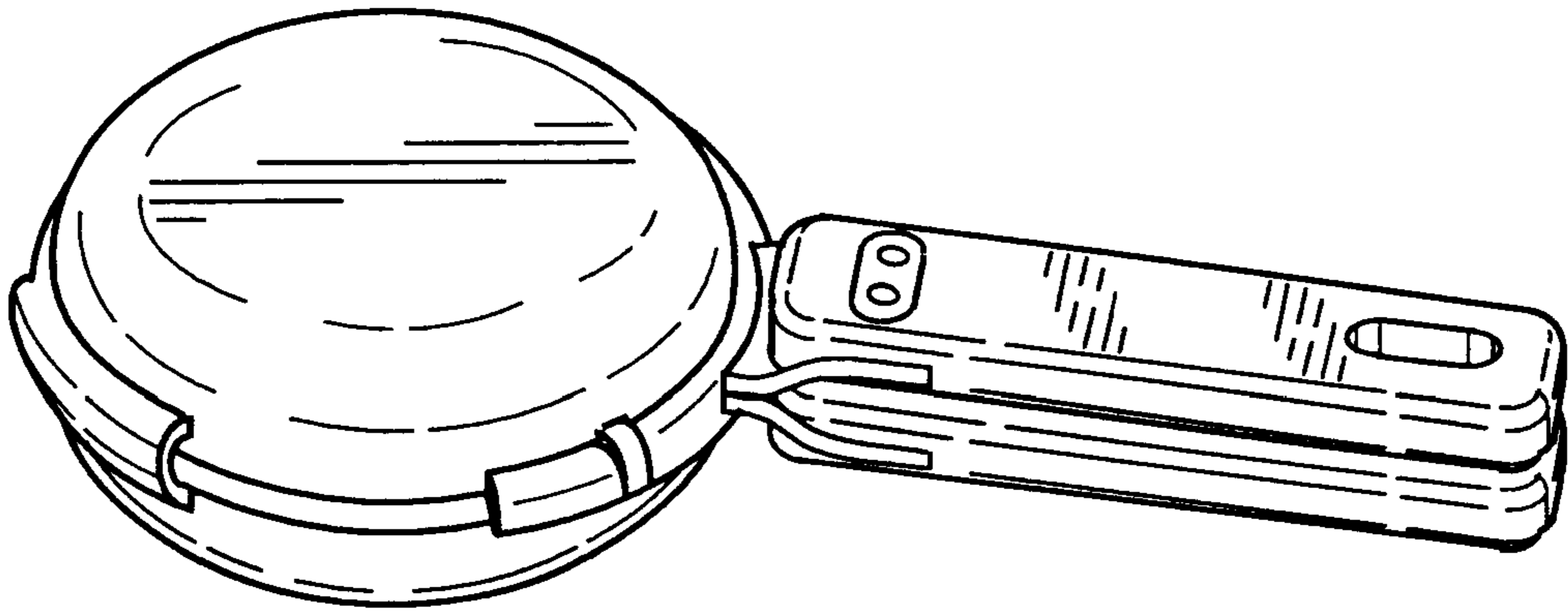


FIG. 8

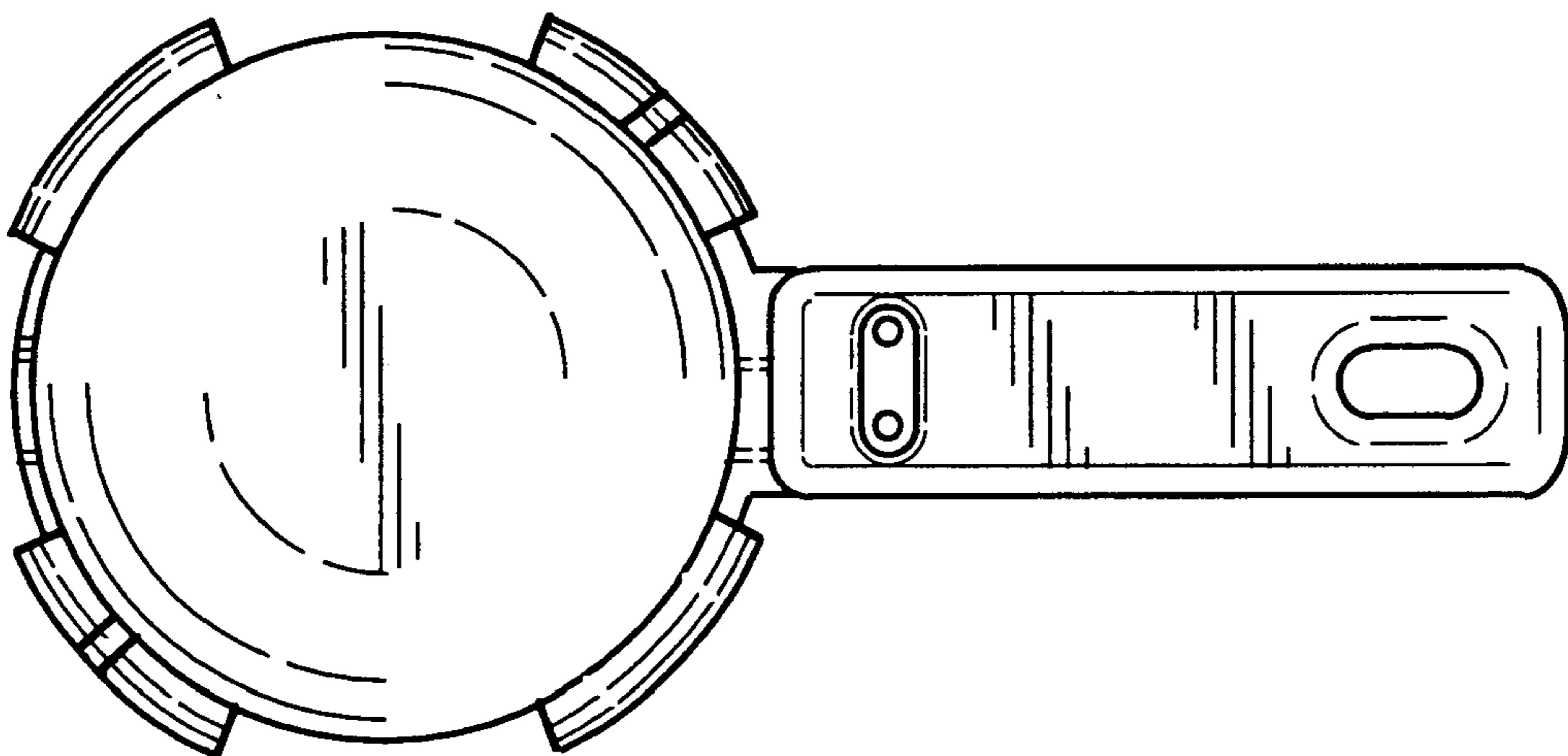


FIG. 9

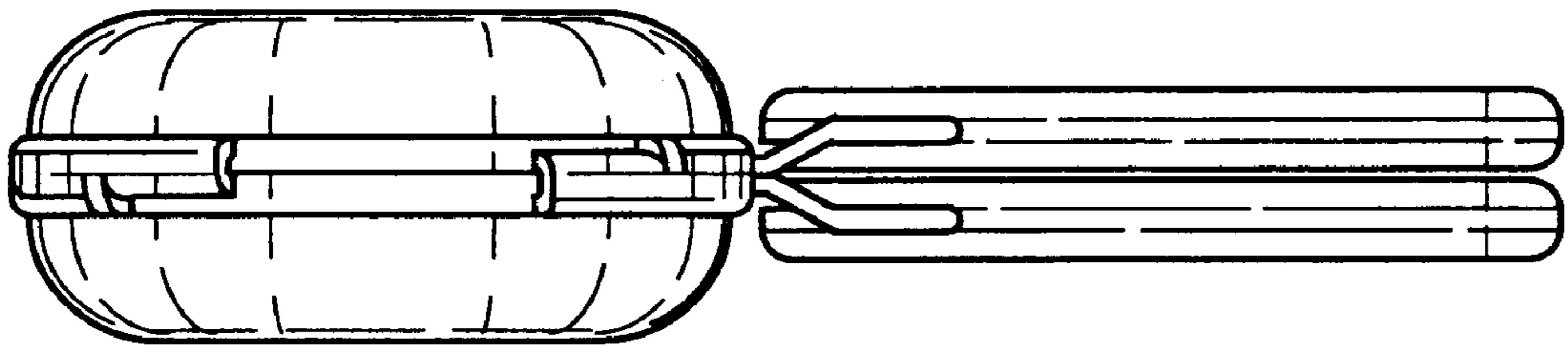


FIG. 10

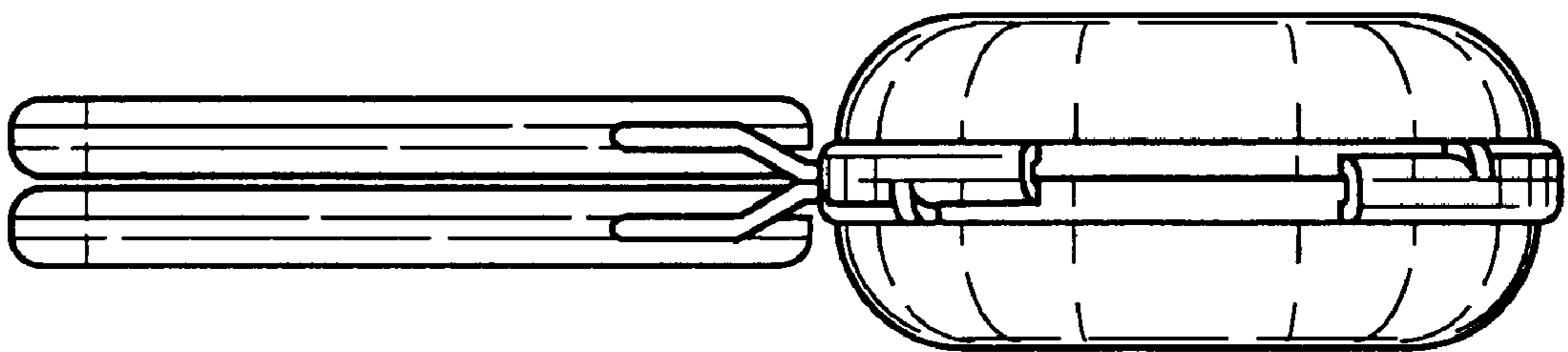


FIG. 11

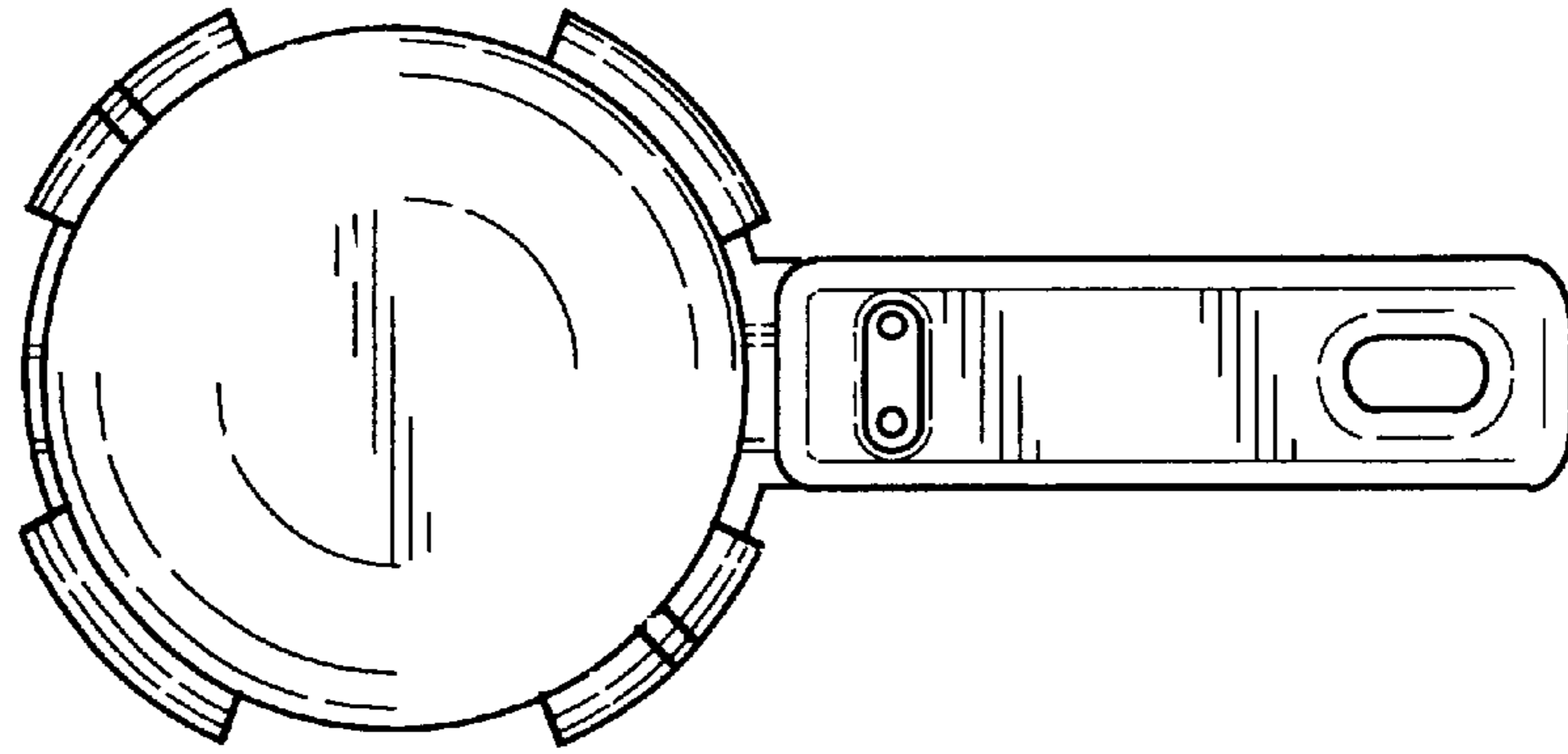


FIG. 12

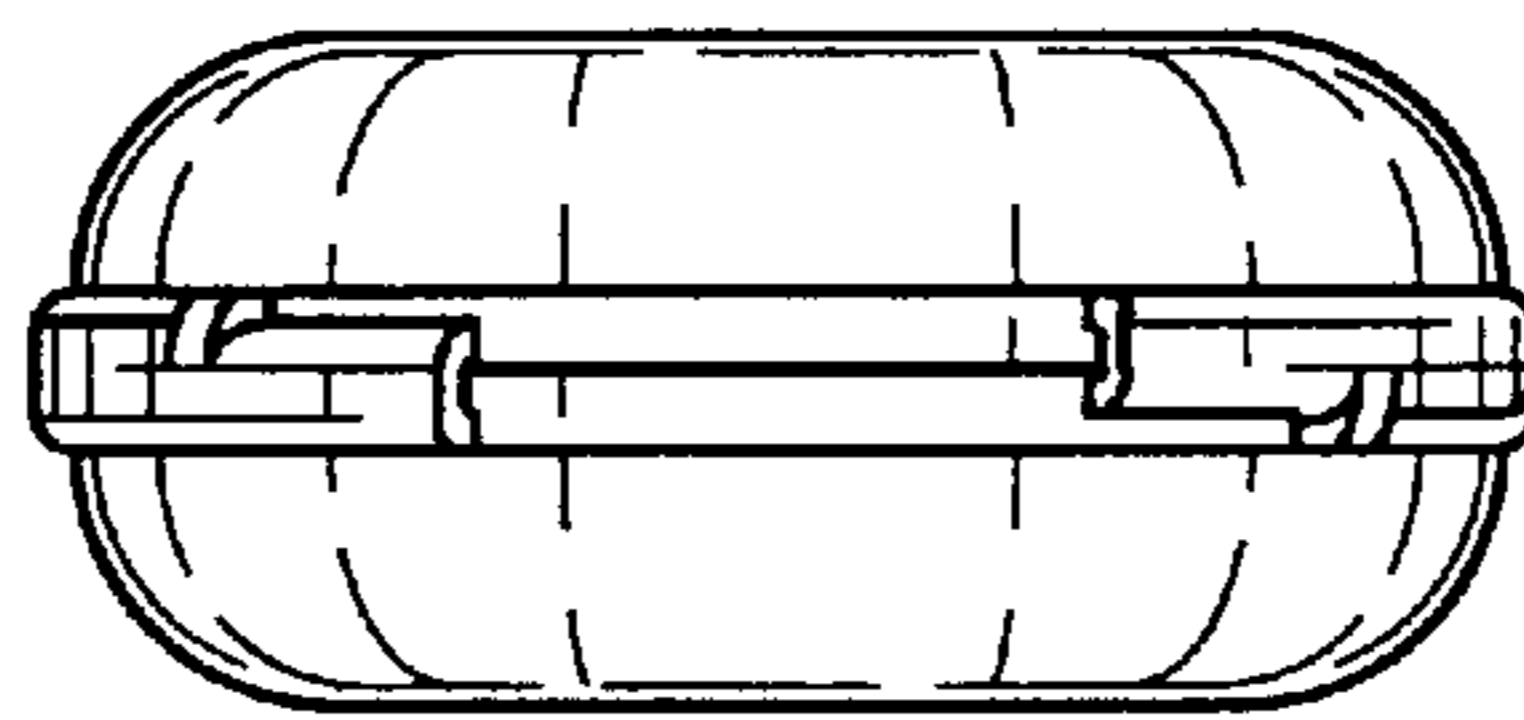


FIG. 13

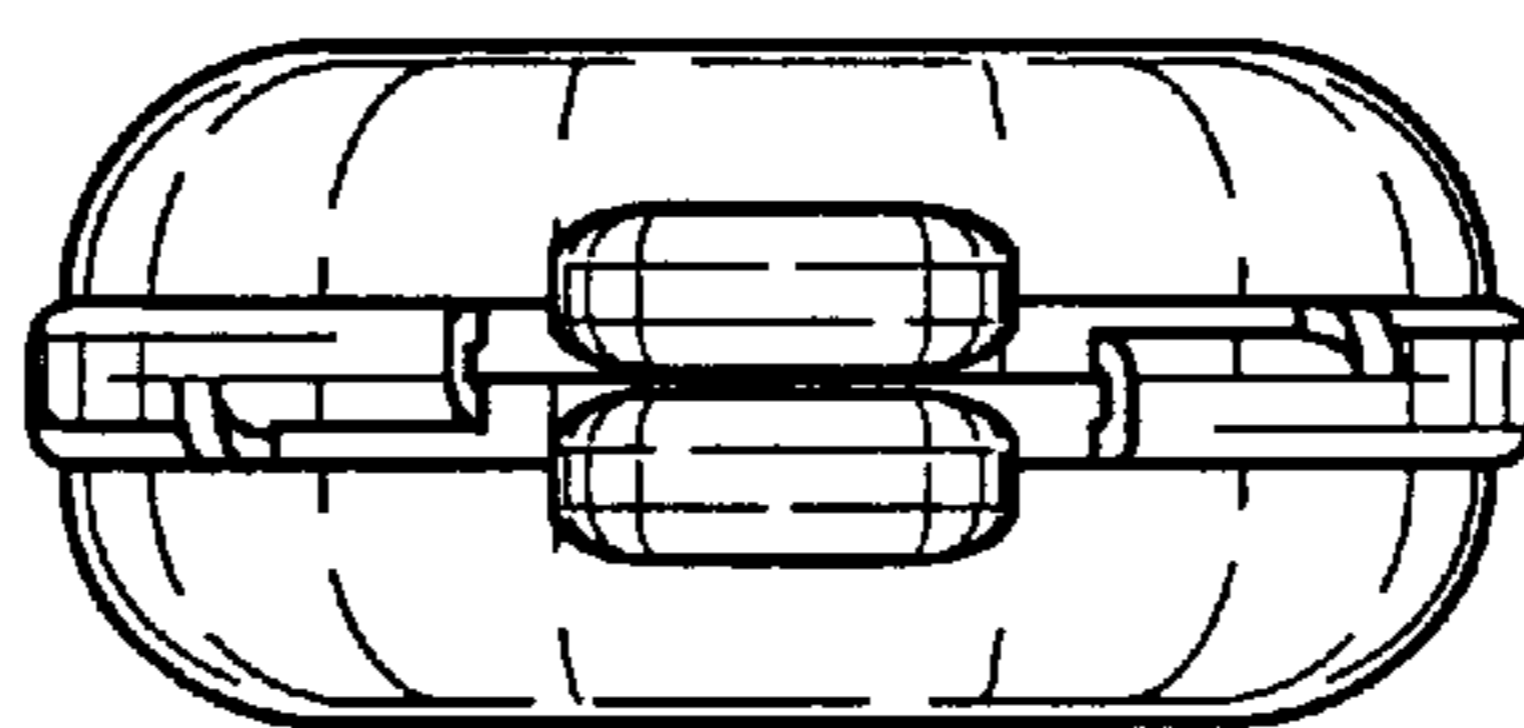


FIG. 14